

[54] BELT BUCKLE

[75] Inventor: Alexis V. Kirk, New York, N.Y.

[73] Assignee: Somersett Moon, New York, N.Y.

[**] Term: 14 Years

[21] Appl. No.: 684,696

[22] Filed: Dec. 21, 1984

[52] U.S. Cl. D2/431

[58] Field of Search D2/431, 432, 433, 434, D2/444, 414, 415, 419, 420, 421, 422, 405, 406; D11/74, 76, 77; 24/16 PB, 163 K, 163 R, 186, 187, 197, 198, 200, 199; 2/322, 251, 257, 338, 339, 340

[56] References Cited

U.S. PATENT DOCUMENTS

D. 90,452 8/1933 Rosenberg D11/74

D. 111,228 9/1938 Slote D2/405
D. 277,051 1/1985 Baron D2/394
D. 278,282 4/1985 Rudd D2/394

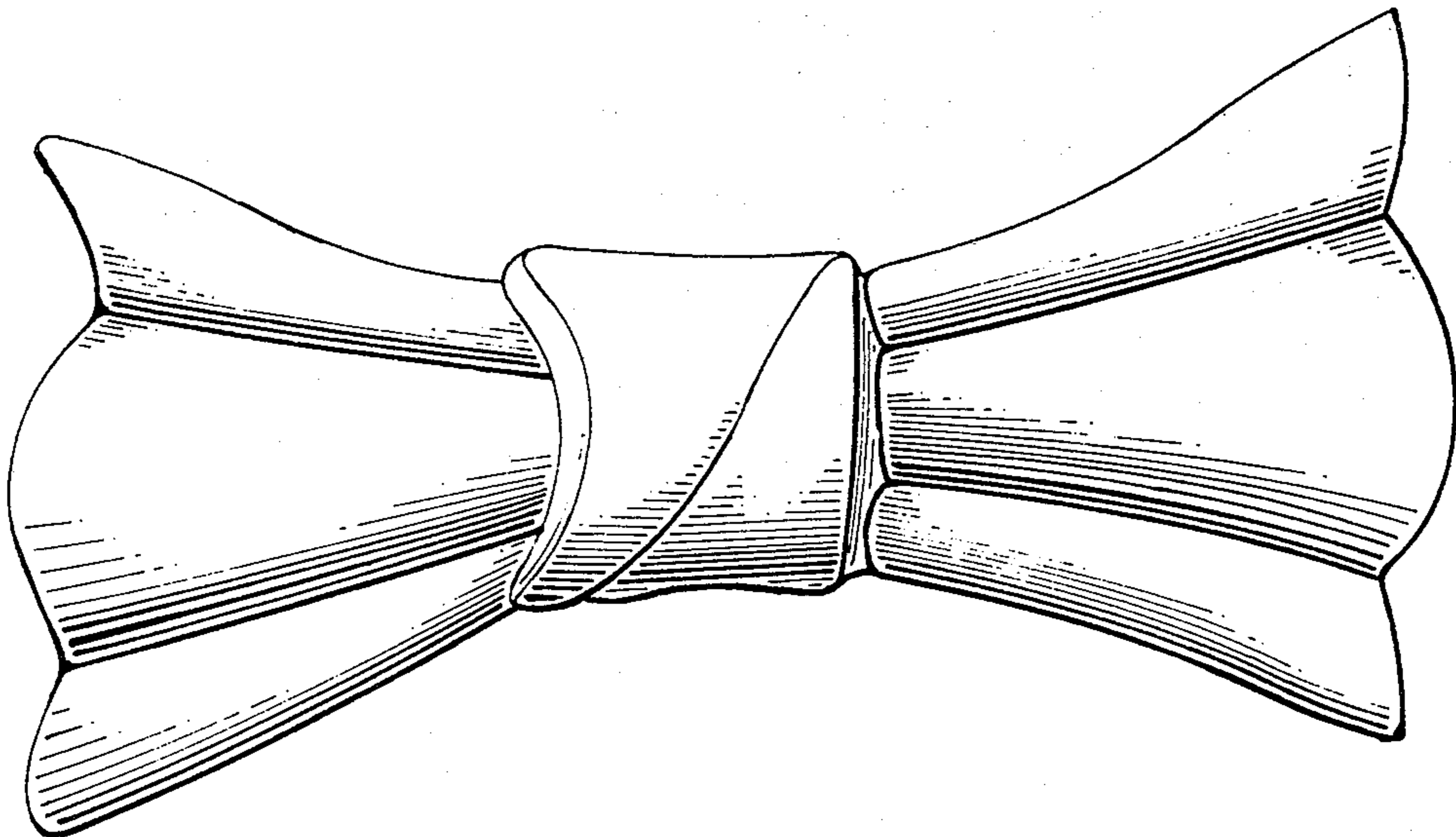
Primary Examiner—Bernard Ansher
Assistant Examiner—Timothy M. Smith
Attorney, Agent, or Firm—Frishauf, Holtz, Goodman & Woodward

[57] CLAIM

The ornamental design for belt buckle, as shown.

DESCRIPTION

FIG. 1 is a front elevational view of a belt buckle showing my new design;
FIG. 2 is a top plan elevational view thereof;
FIG. 3 is a rear elevational view thereof;
FIG. 4 is a left-side elevational view thereof;
FIG. 5 is a right-side elevational view thereof; and
FIG. 6 is a bottom plan elevational view thereof.



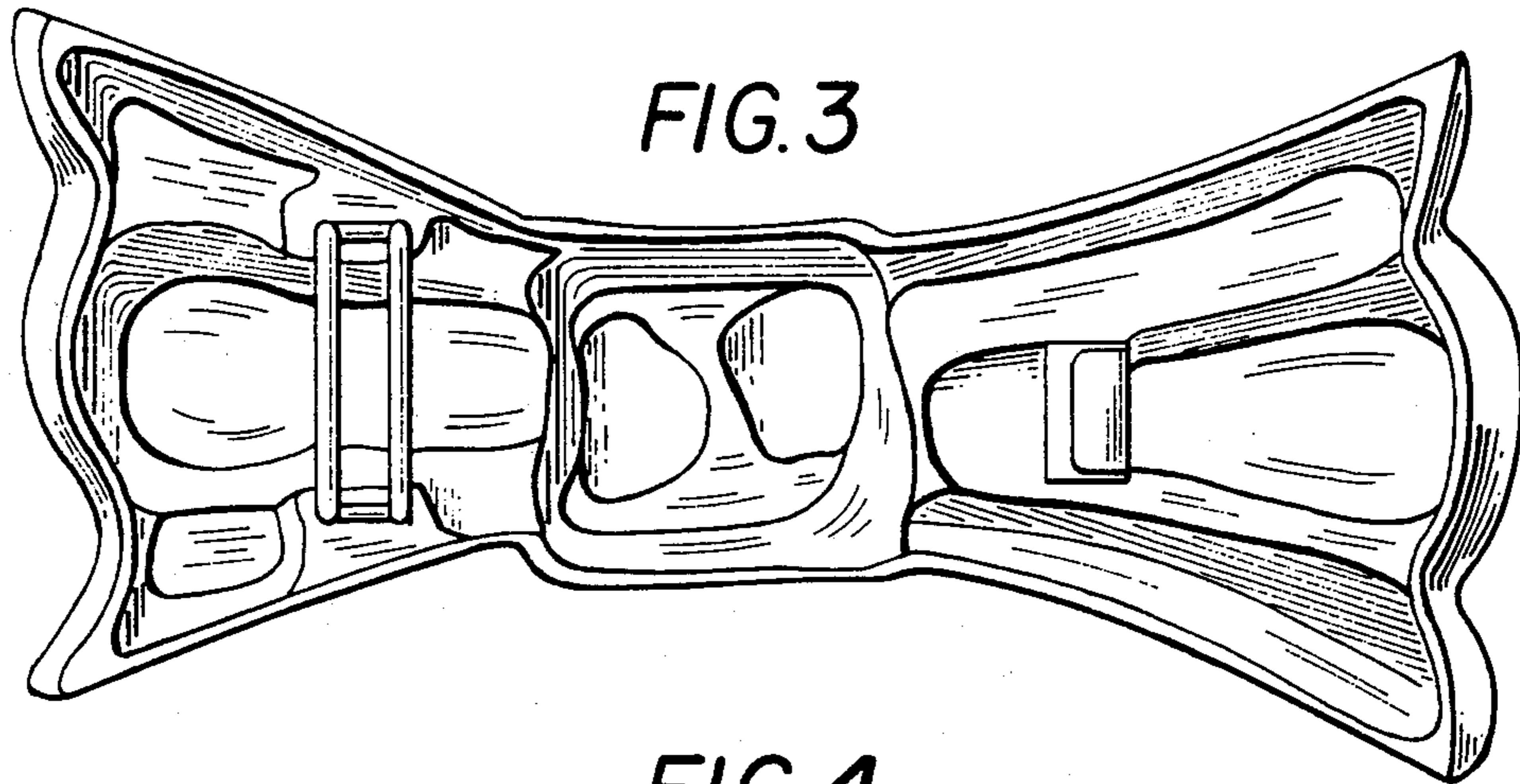
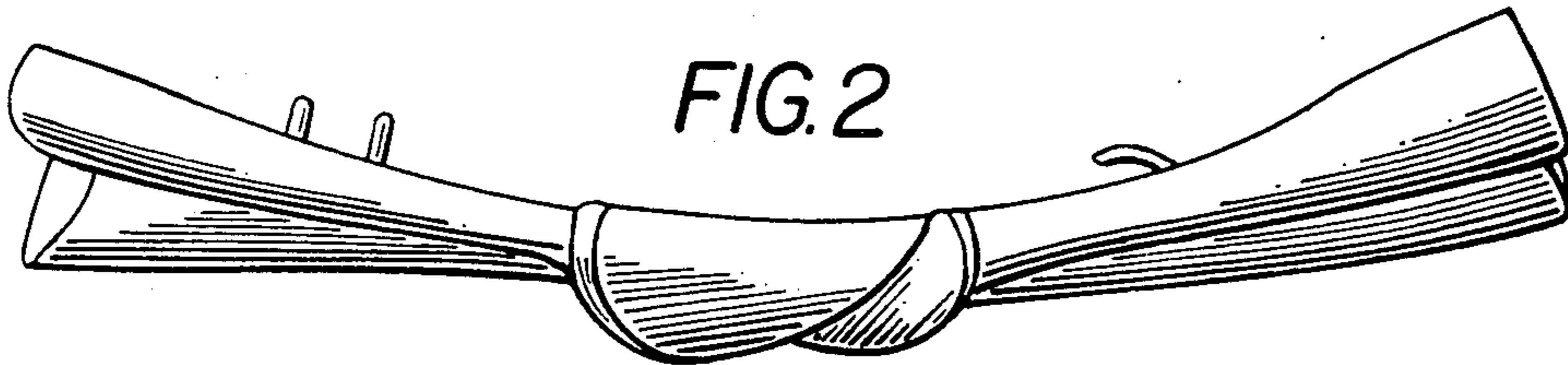
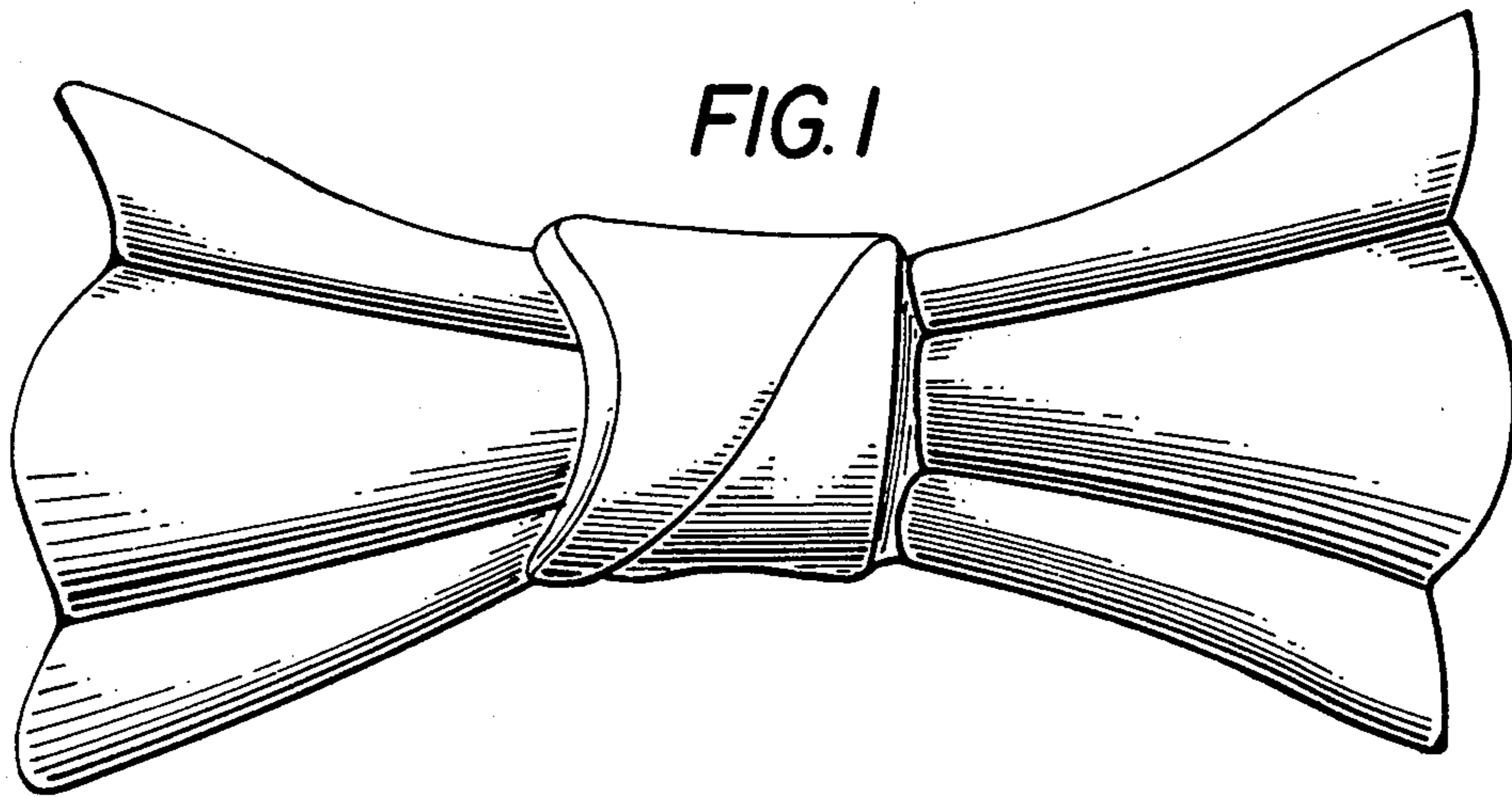


FIG. 4

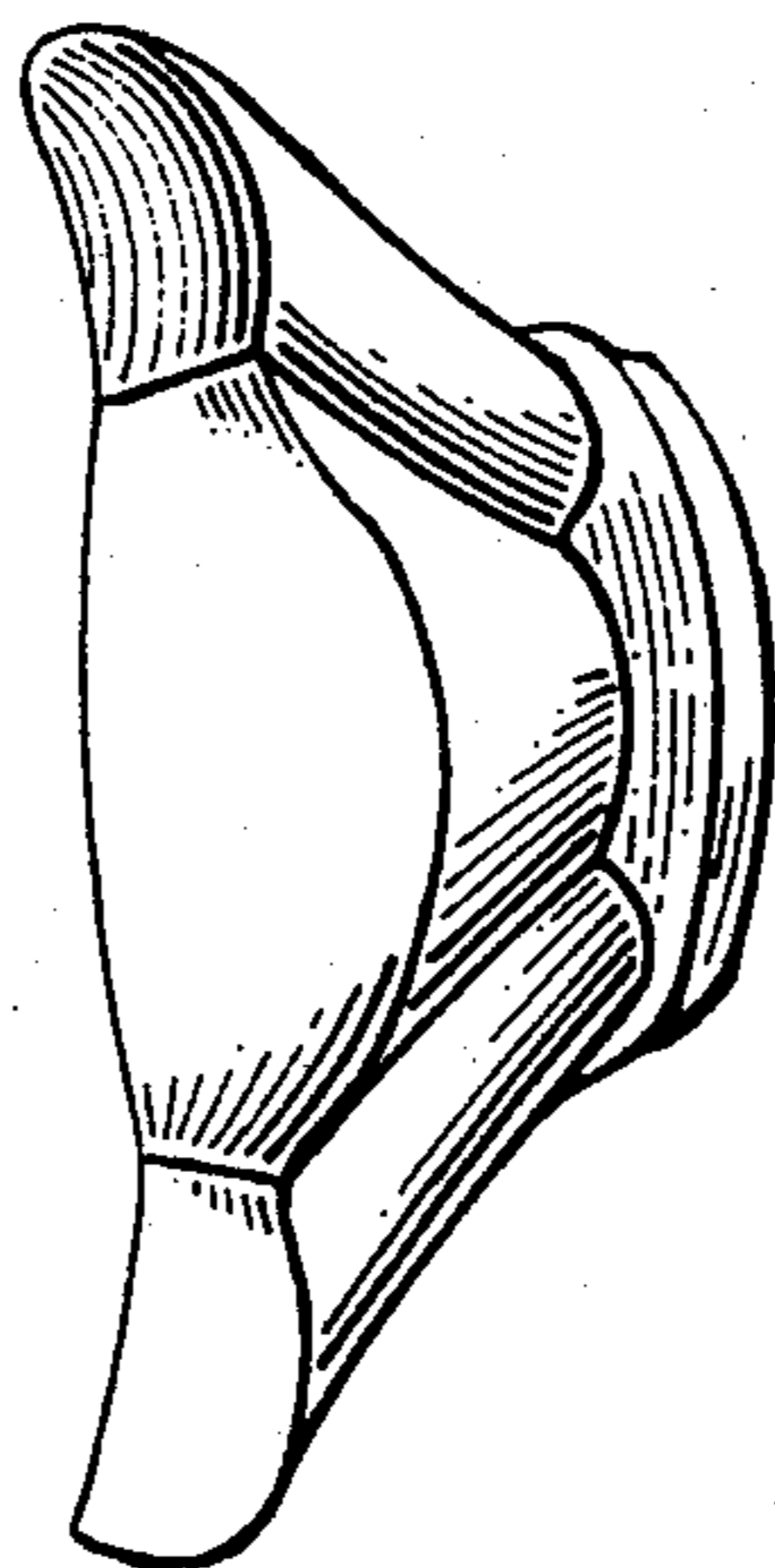


FIG. 5

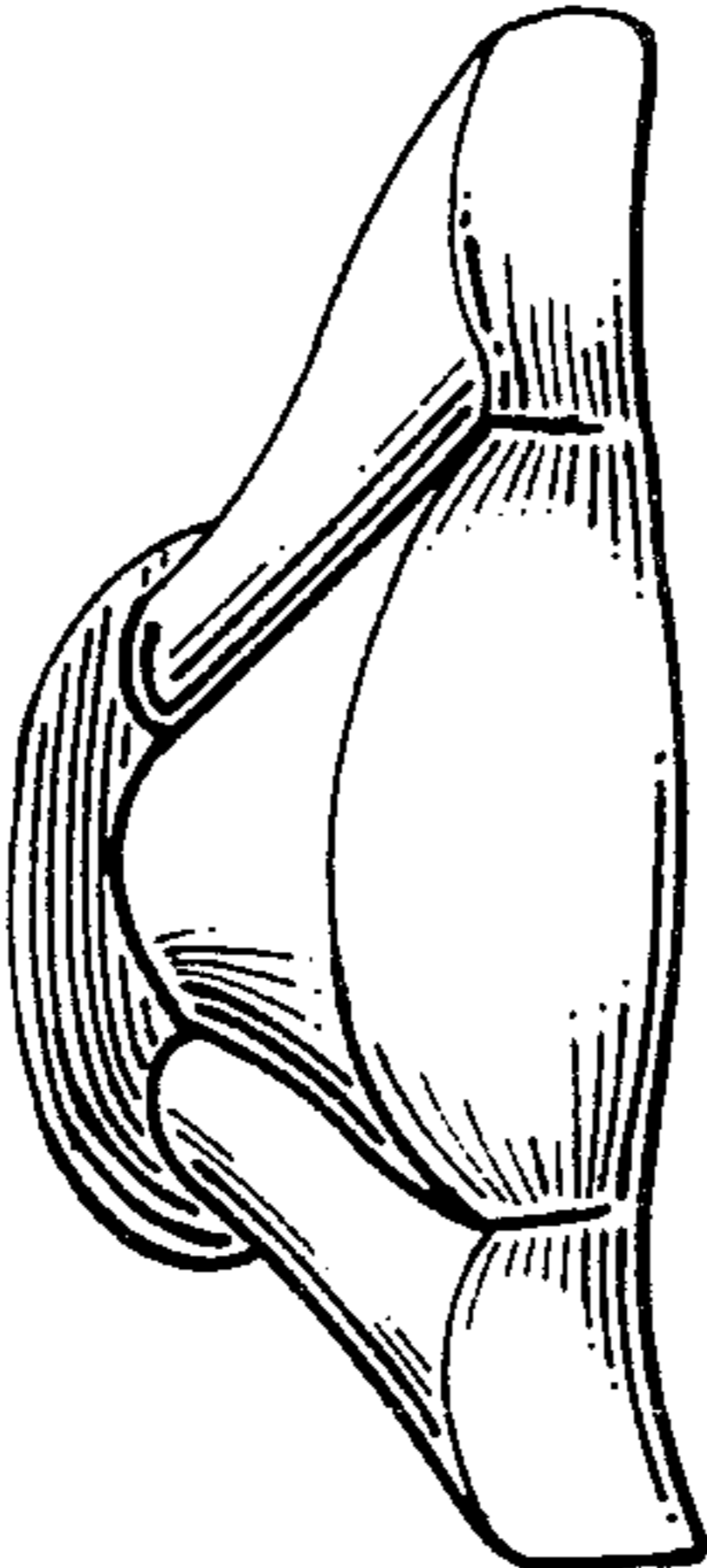


FIG. 6

