

[54] **COMBINED IRON AND BASE THEREFOR**

[75] **Inventors: William C. Dobson, West Bend, Wis.;
William C. Cesaroni, Glenview, Ill.**

[73] **Assignee: Dart Industries Inc., Northbrook, Ill.**

[**] **Term: 14 Years**

[21] **Appl. No.: 581,492**

[22] **Filed: Feb. 17, 1984**

[52] **U.S. Cl. D32/68; D32/73**

[58] **Field of Search D32/68-73;
38/69, 74, 75, 77.1-77.9, 88, 94, 96, 142;
219/245-259, 271-276**

[56] **References Cited**

U.S. PATENT DOCUMENTS

- D. 214,753 7/1969 Schellens .
- D. 240,997 8/1976 Julkenbeck .
- D. 267,673 1/1983 Ernest et al. .
- D. 268,216 3/1983 Levin .
- D. 269,213 5/1983 Martin .
- 2,234,347 3/1941 Lobstein 219/247 X
- 2,339,495 1/1944 McMann 219/247
- 2,461,264 2/1949 Fox 219/247

- 2,507,071 5/1950 Warner 219/247 X
- 2,524,161 10/1950 Carp 219/247
- 2,714,650 8/1955 Werner 219/247
- 2,820,877 1/1958 Oates, Jr. 219/247
- 3,398,260 8/1968 Martens 38/79 X
- 3,745,676 7/1973 Dikoff 38/96
- 3,760,149 9/1973 Harsanyi 219/247

OTHER PUBLICATIONS

Page from United Kingdom trade publication, ERT, Nov. 1983 issue, showing Rowenta Iron.

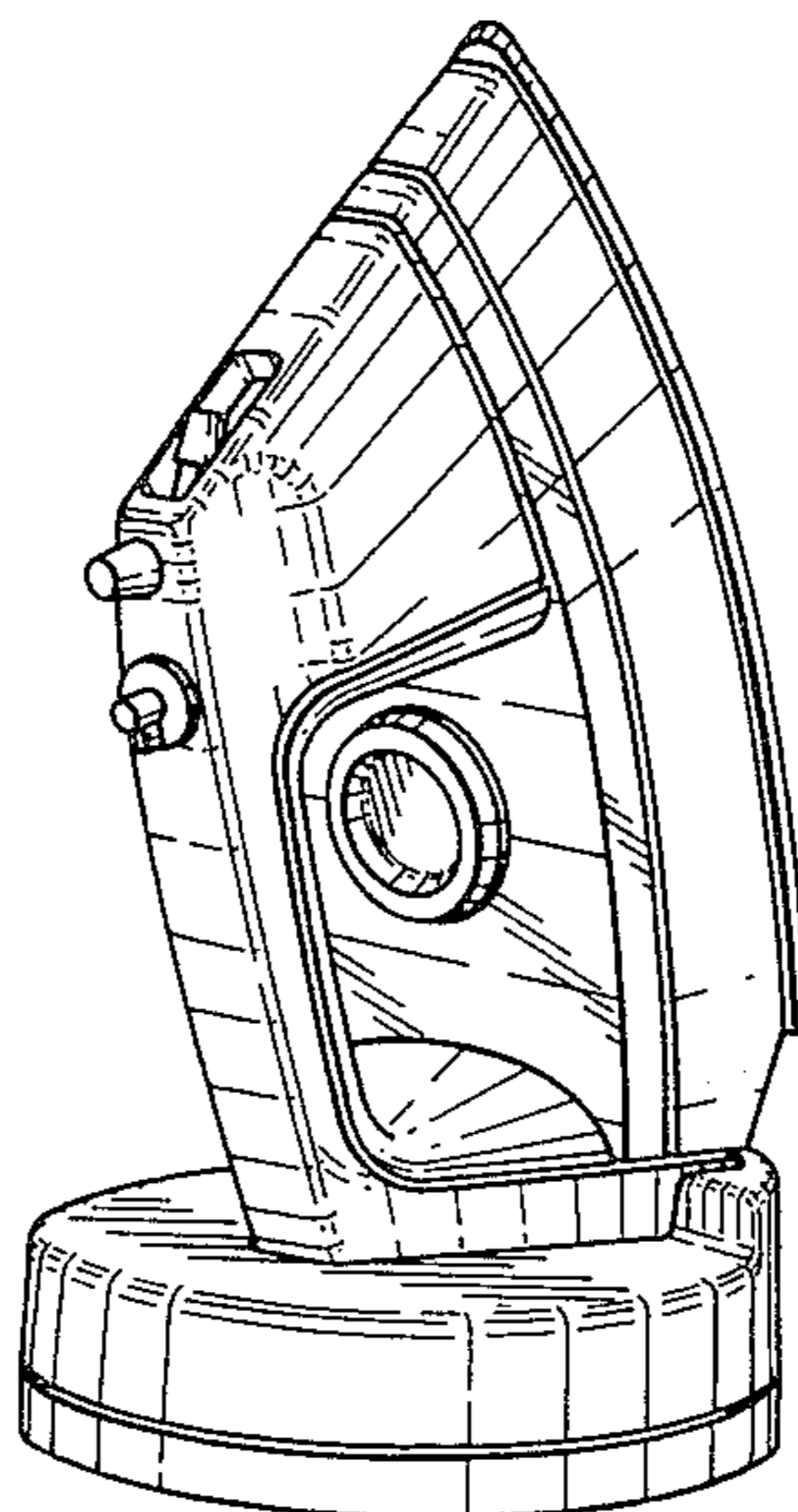
Primary Examiner—Catherine E. Kemper
Attorney, Agent, or Firm—Gregory J. Mancuso

[57] **CLAIM**

The ornamental design for combined iron and base therefor, substantially as shown.

DESCRIPTION

FIG. 1 is a perspective view of the combined iron and base therefor showing our new design;
FIG. 2 is a side elevational view thereof;
FIG. 3 is a front elevational view thereof;
FIG. 4 is a rear elevational view thereof;
FIG. 5 is a top plan view thereof;
FIG. 6 is a bottom plan view thereof.



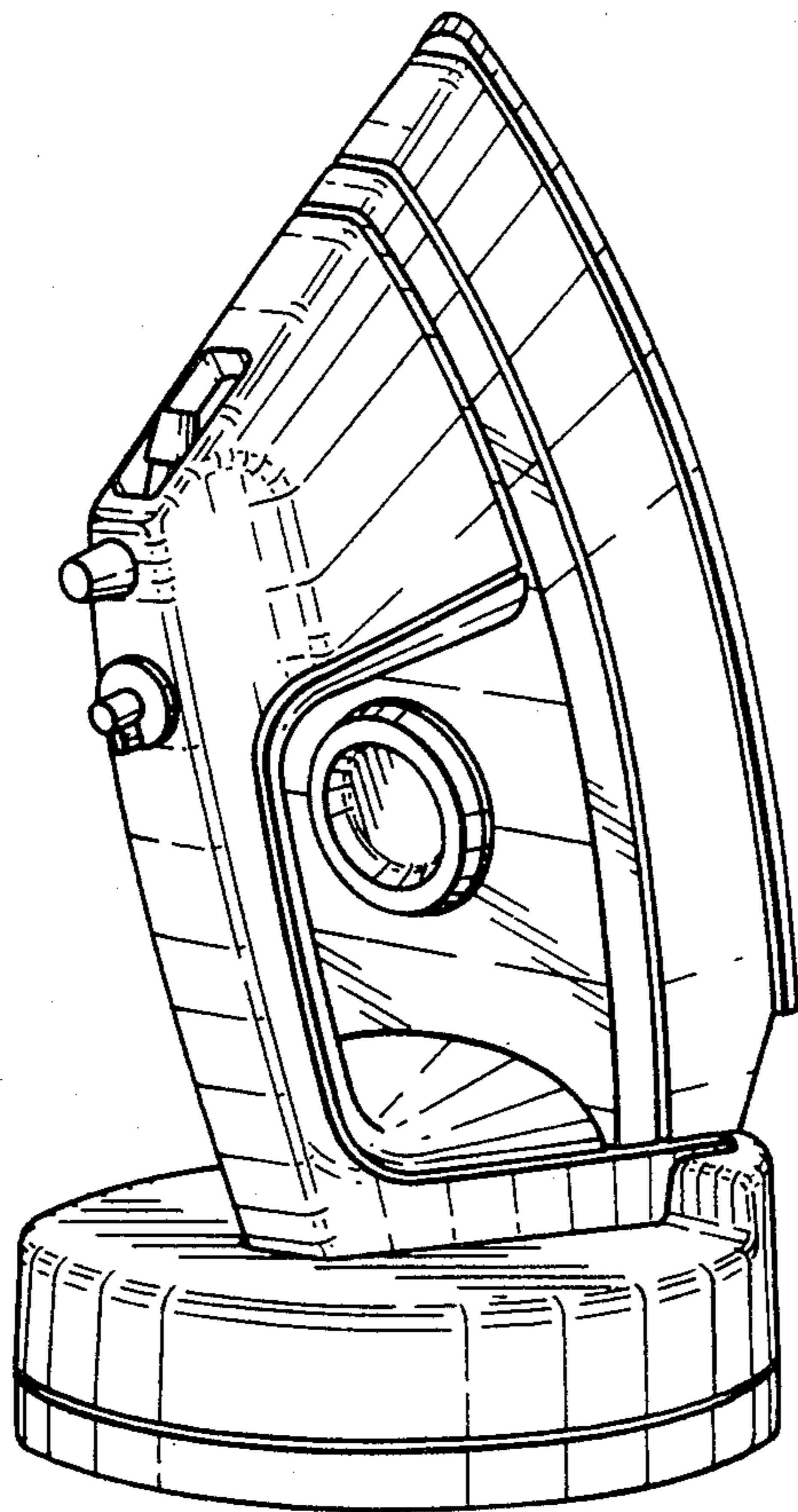


FIG. 1

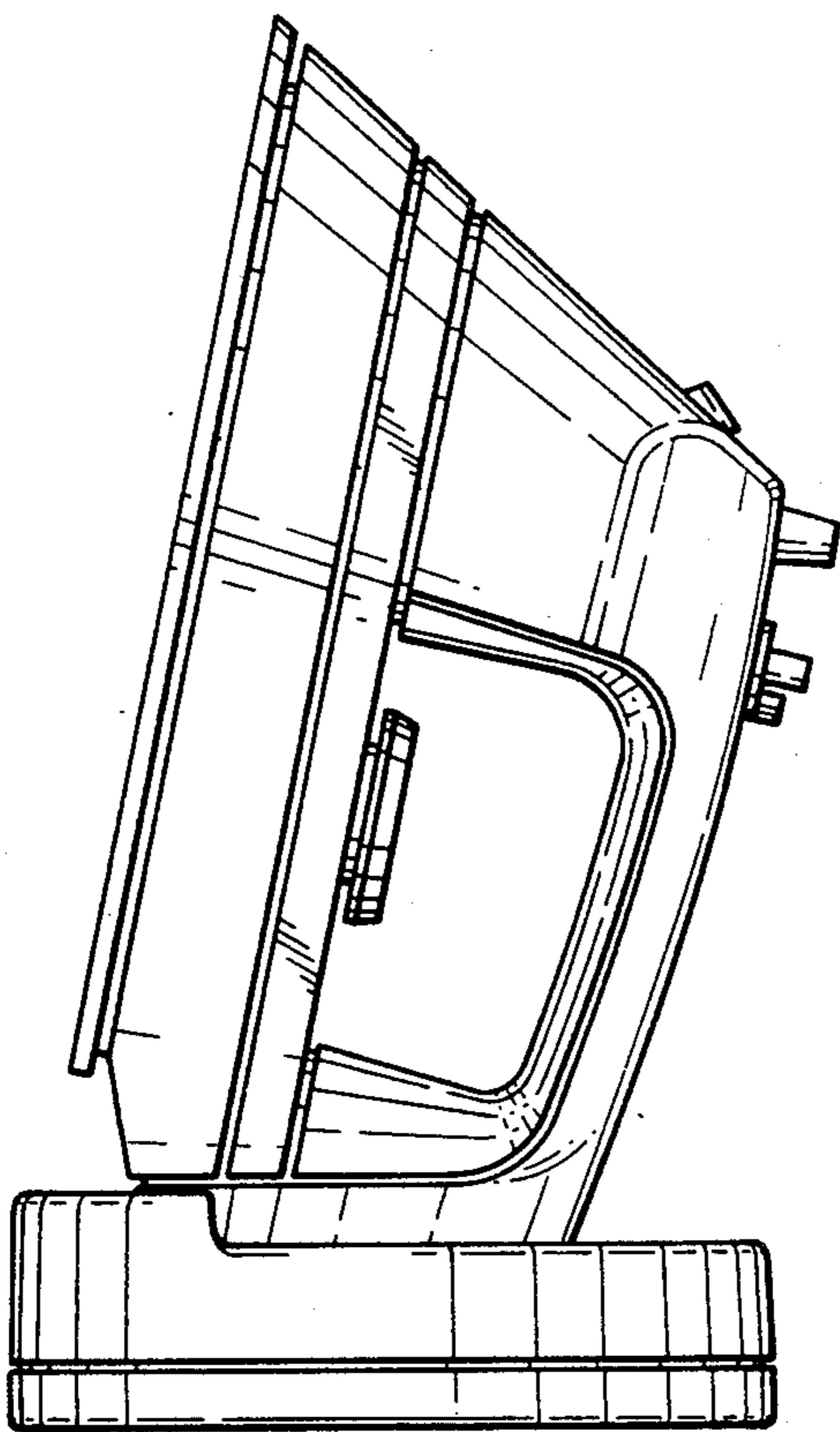


FIG. 2

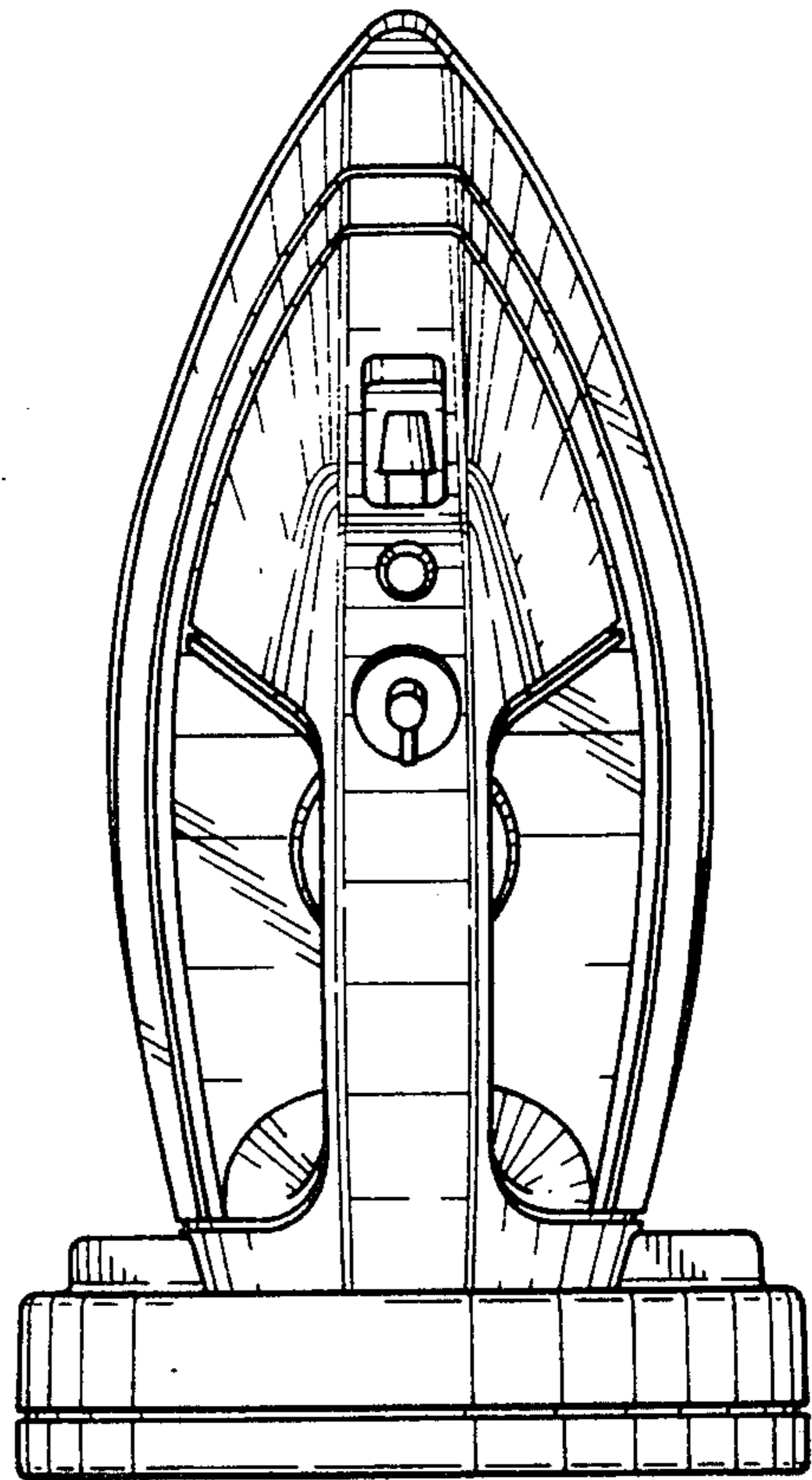


FIG. 3

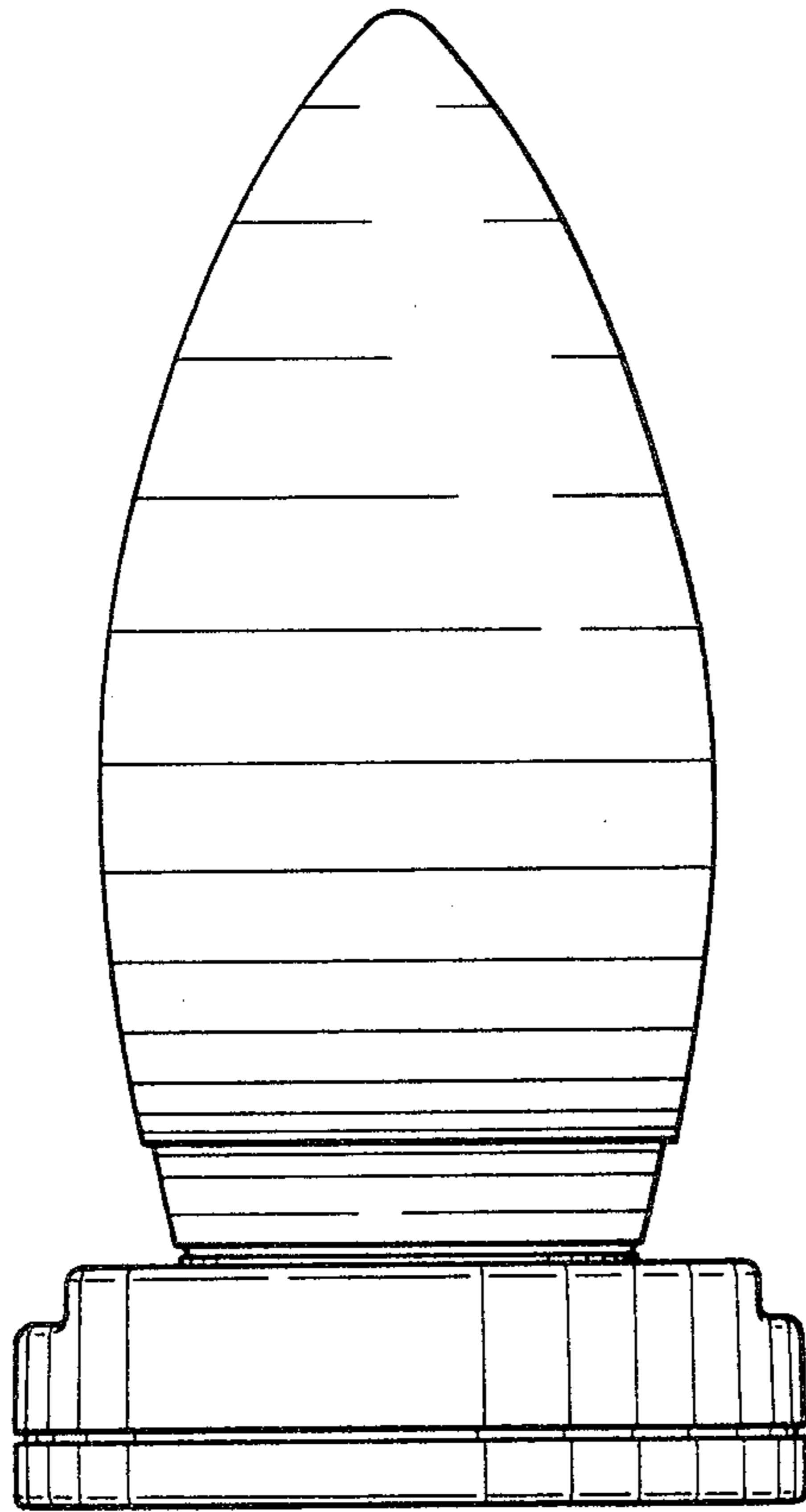


FIG. 4

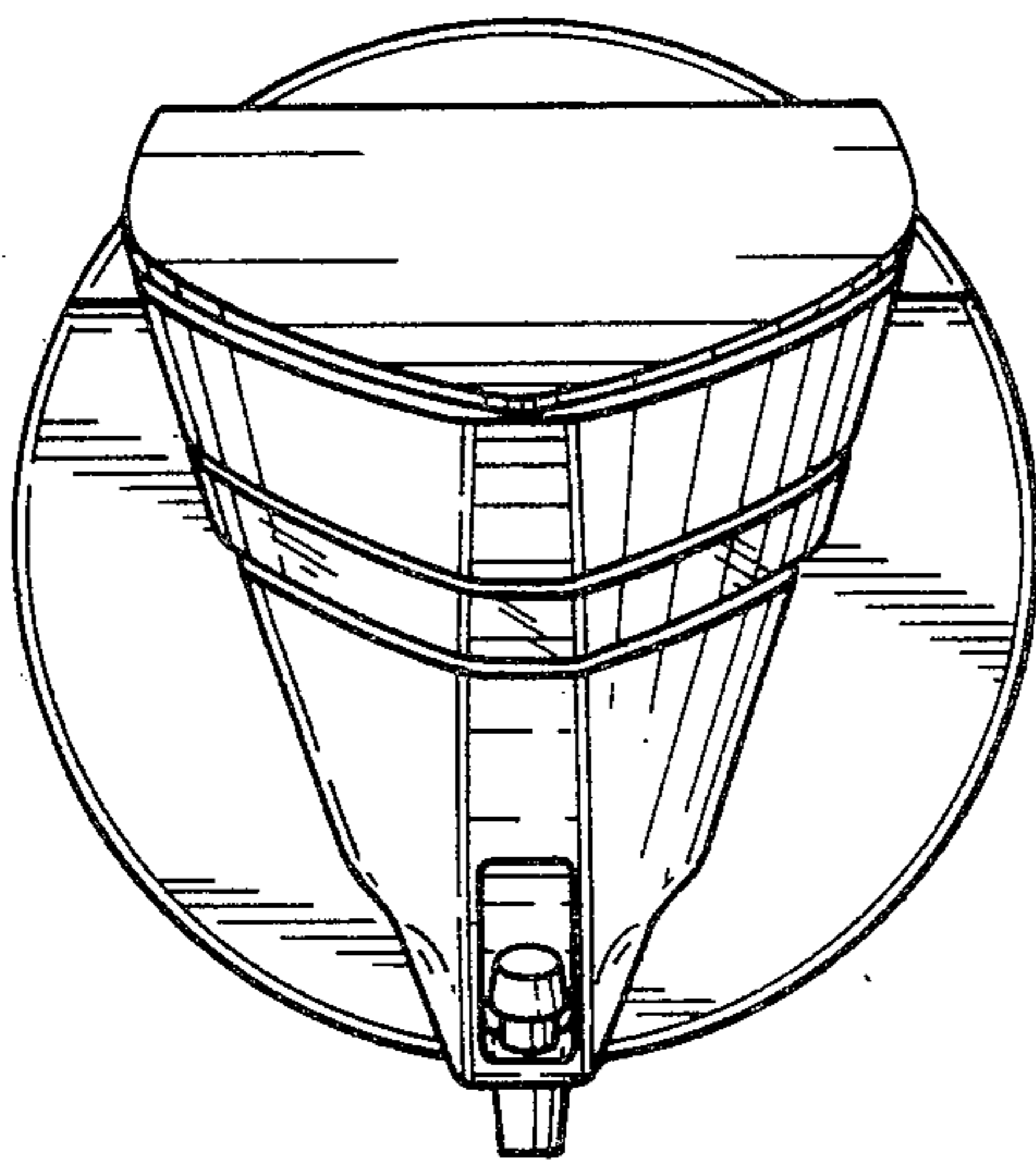


FIG. 5

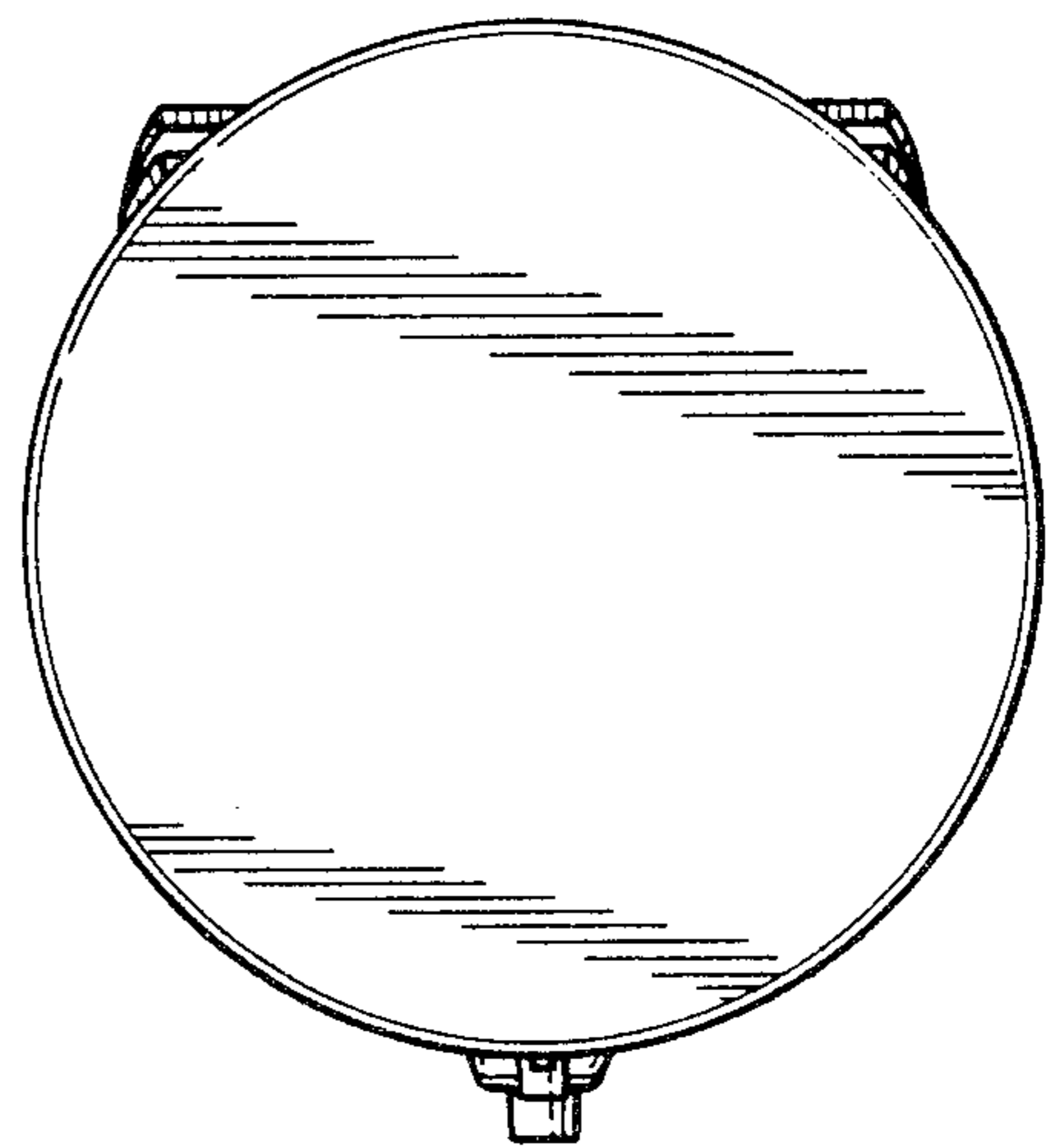


FIG. 6