

[54] HIGH INTENSITY DISCHARGE LIGHT FIXTURE

[75] Inventors: Richard Sangiomo, Roselle; Thomas Russello, Elizabeth, both of N.J.

[73] Assignee: Keene Corporation, Union, N.J.

[**] Term: 14 Years

[21] Appl. No.: 565,832

[22] Filed: Dec. 27, 1983

[52] U.S. Cl. D26/61; D26/24

[58] Field of Search D26/24, 60-65, D26/72, 75-92; 362/269, 275, 277, 285, 297, 311, 362, 404, 418, 427, 432, 398

[56] References Cited

U.S. PATENT DOCUMENTS

- 4,489,366 12/1984 Rozniecki 362/398 X
- 4,489,368 12/1984 Sangiomo et al. 362/267 X

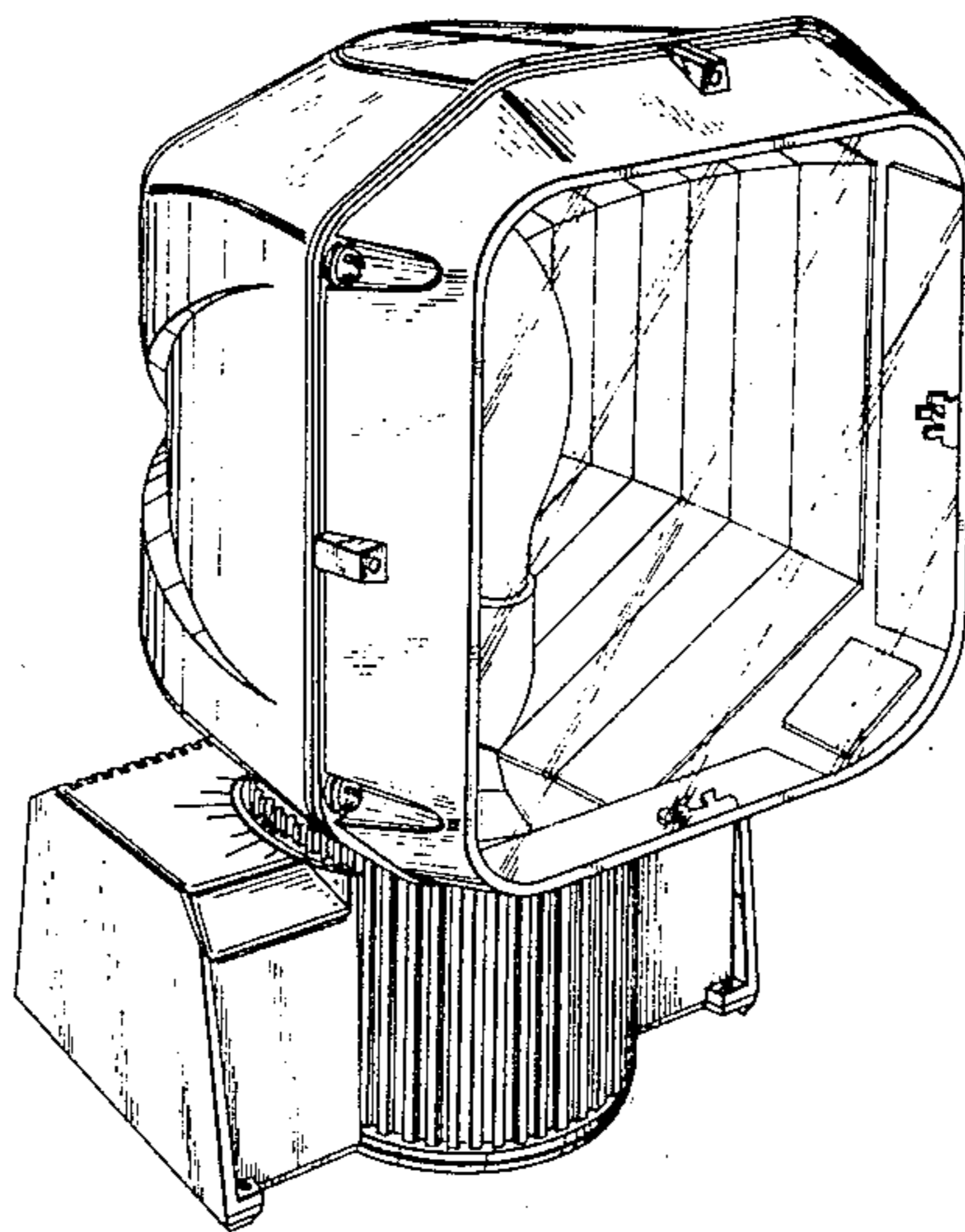
Primary Examiner—Susan J. Lucas
Attorney, Agent, or Firm—Kane, Dalsimer, Kane, Sullivan and Kurucz

[57] CLAIM

The ornamental design for a high intensity discharge light fixture, as shown and described.

DESCRIPTION

FIG. 1 is a front isometric view of a high intensity discharge light fixture showing our new design;
 FIG. 2 is a front elevational view thereof on an enlarged scale;
 FIG. 3 is a top plan view thereof on an enlarged scale;
 FIG. 4 is a side elevational view thereof on an enlarged scale, the opposite side being substantially identical;
 FIG. 5 is a bottom plan view thereof on an enlarged scale;
 FIG. 6 is a rear elevational view thereof on an enlarged scale.



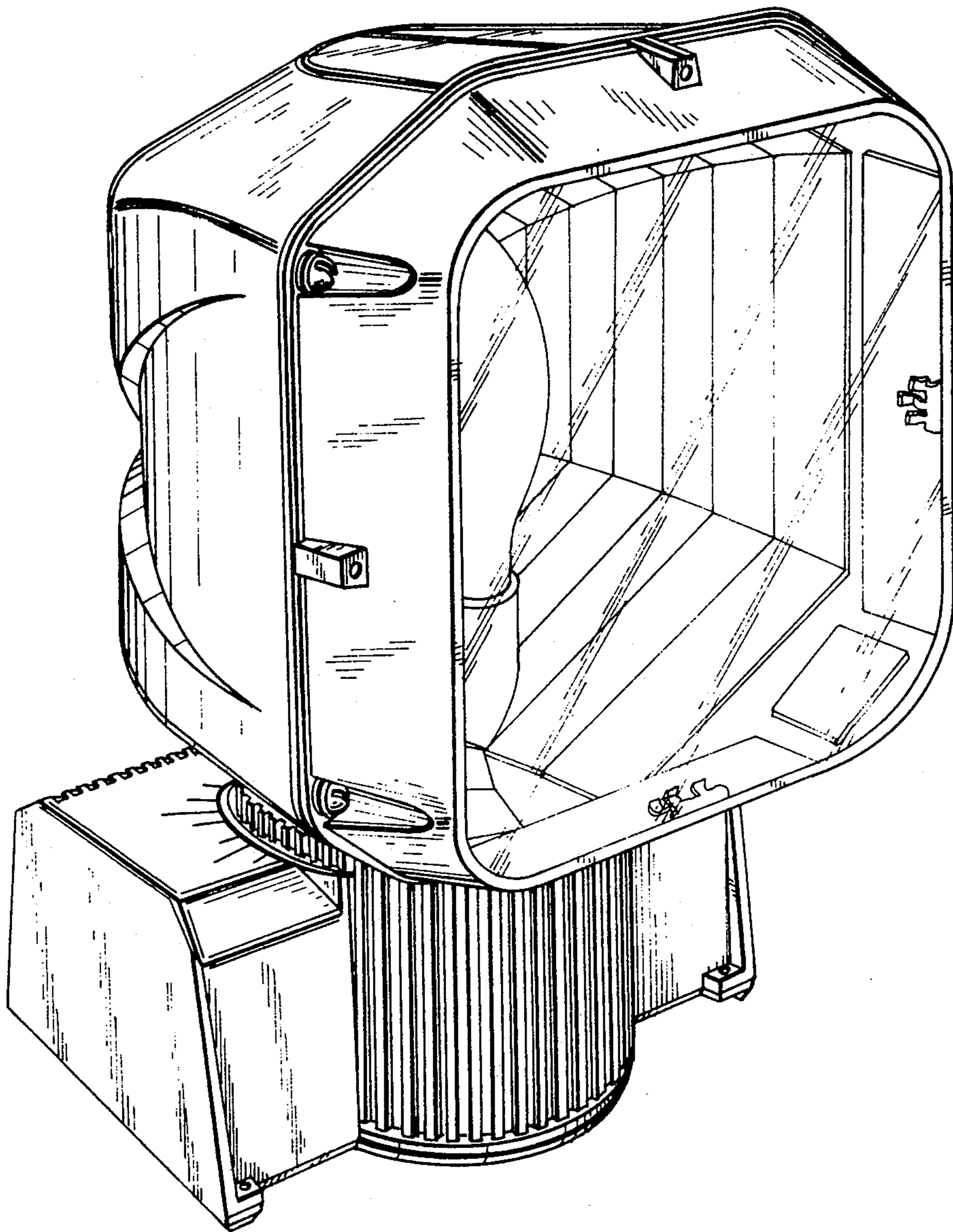


FIG. 1

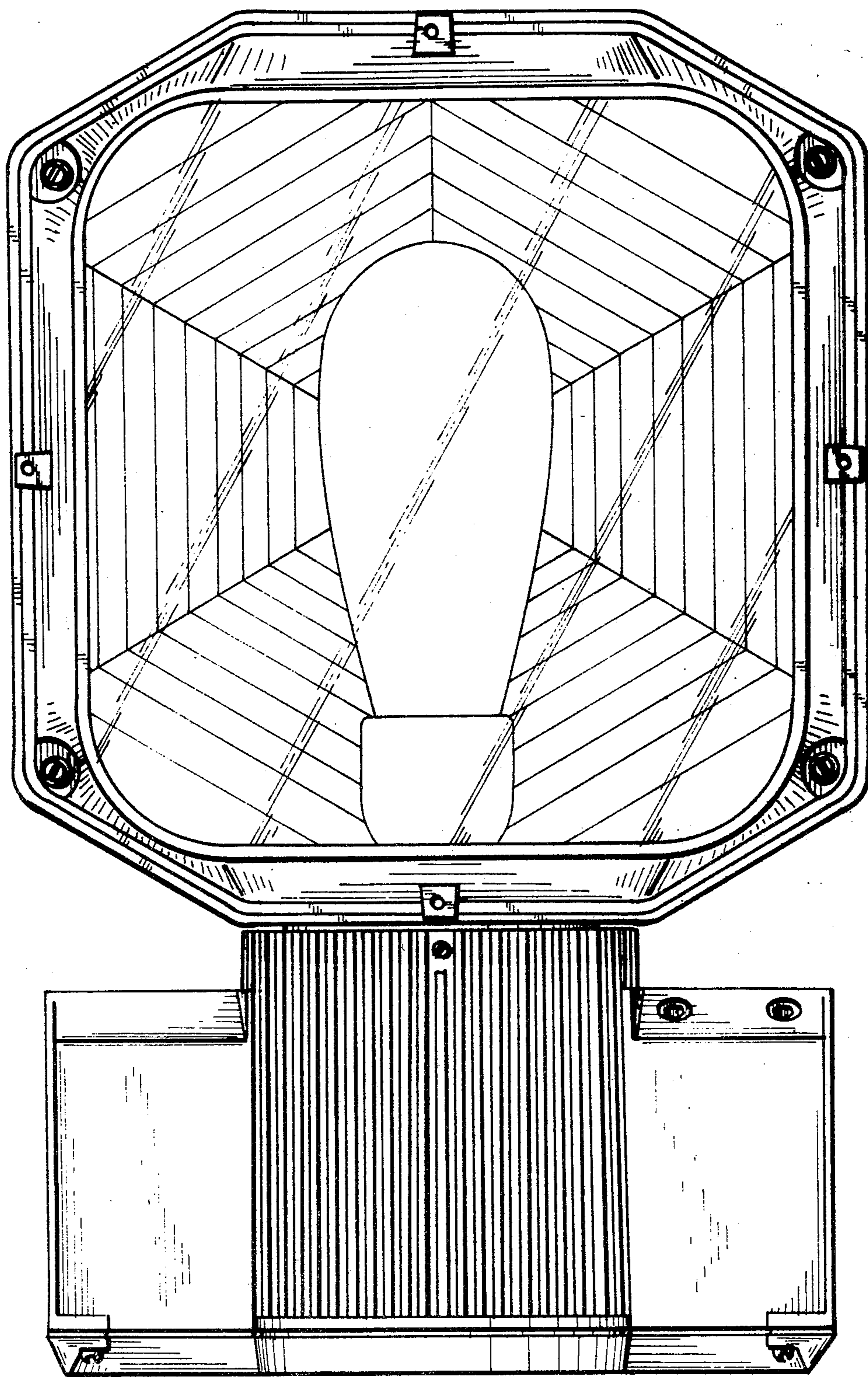


FIG. 2

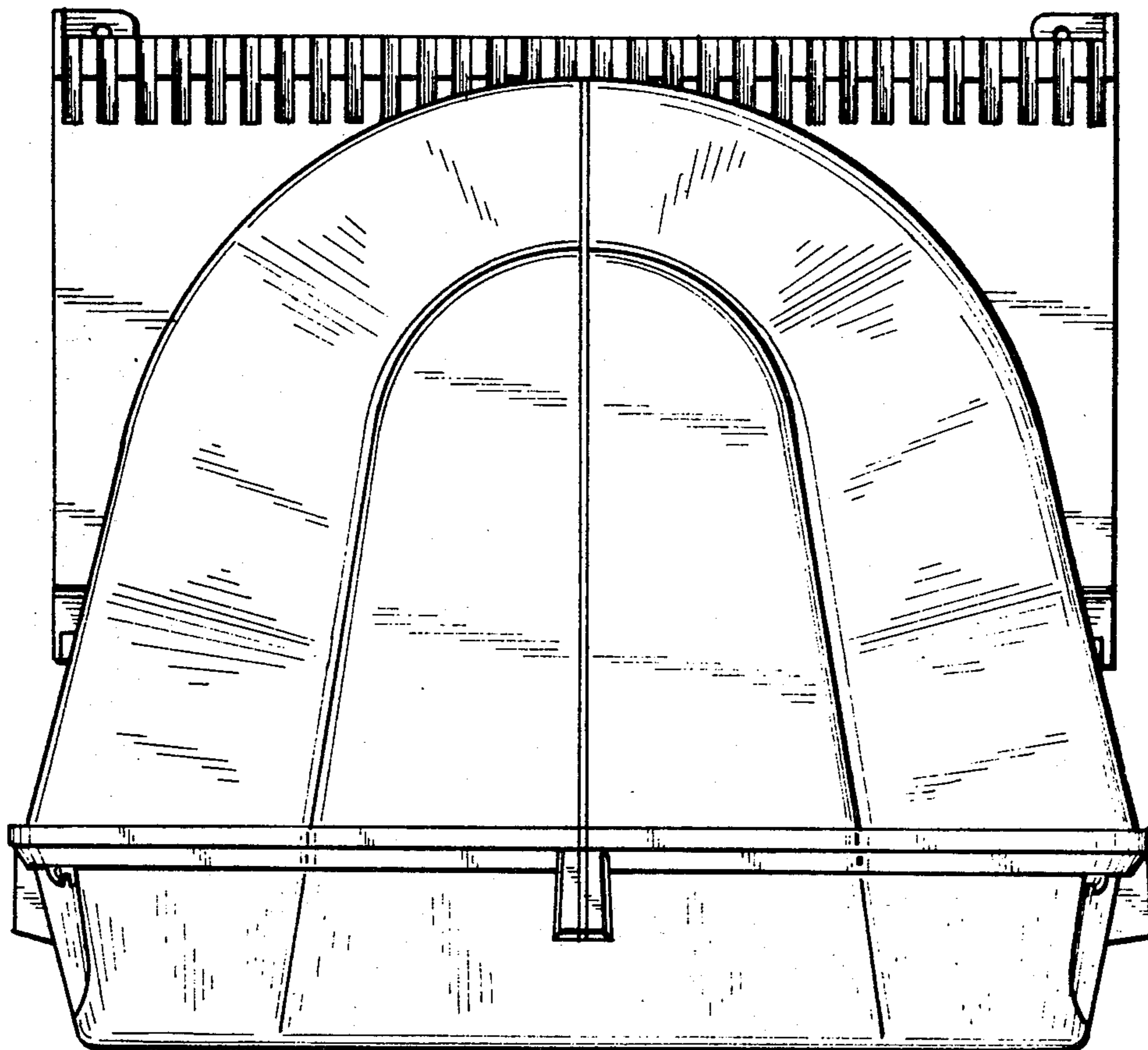


FIG. 3

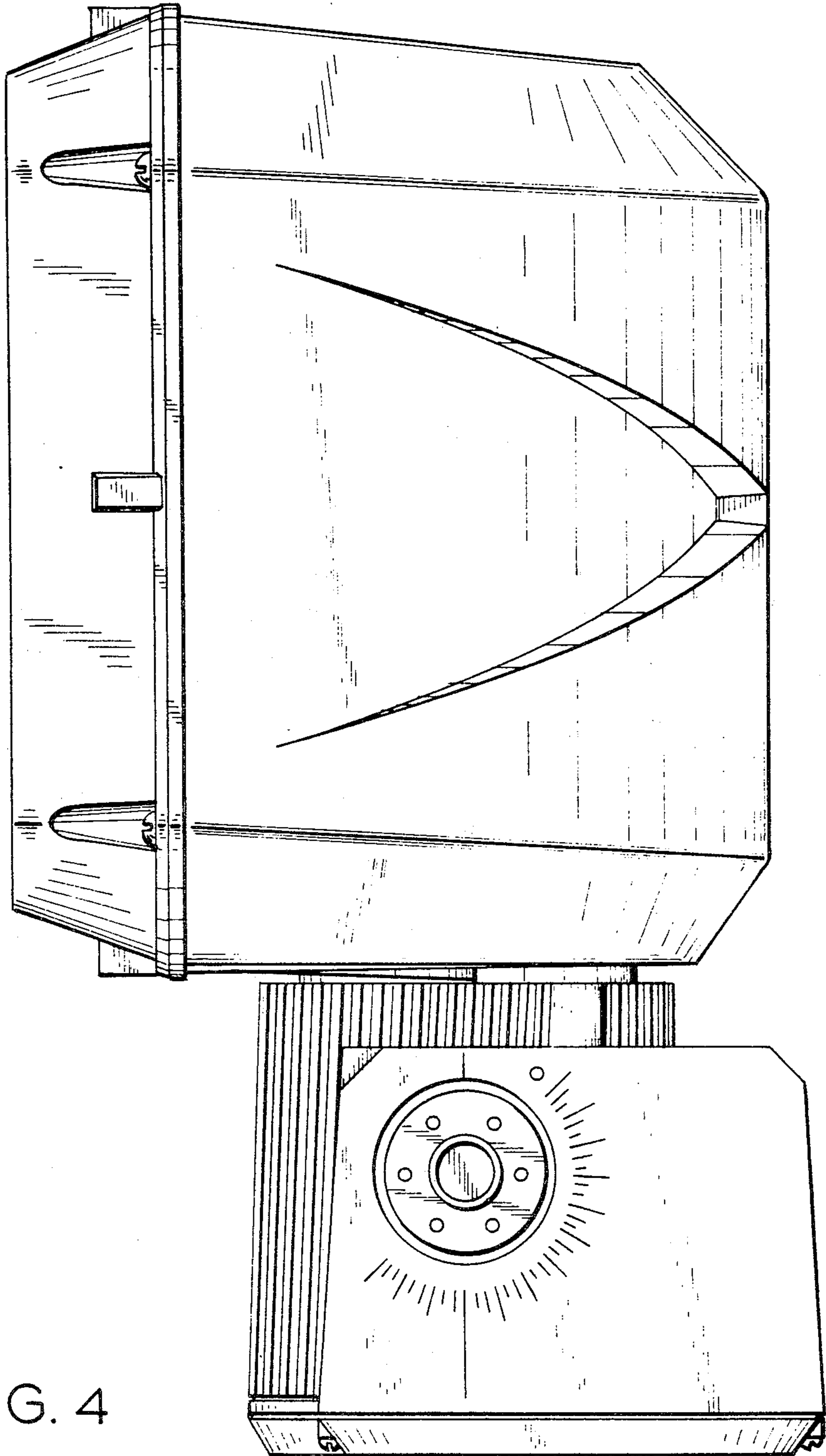


FIG. 4

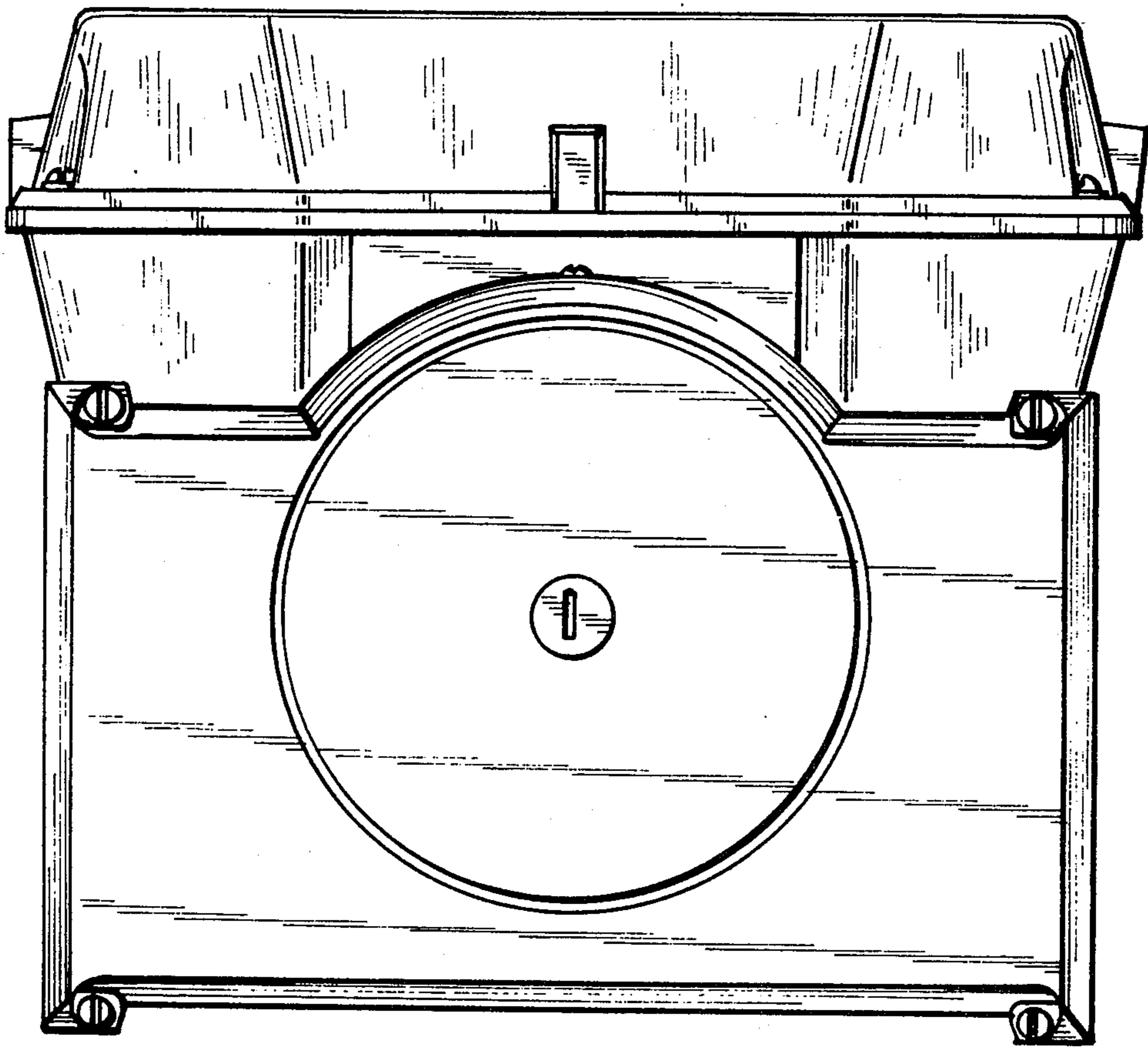


FIG. 5

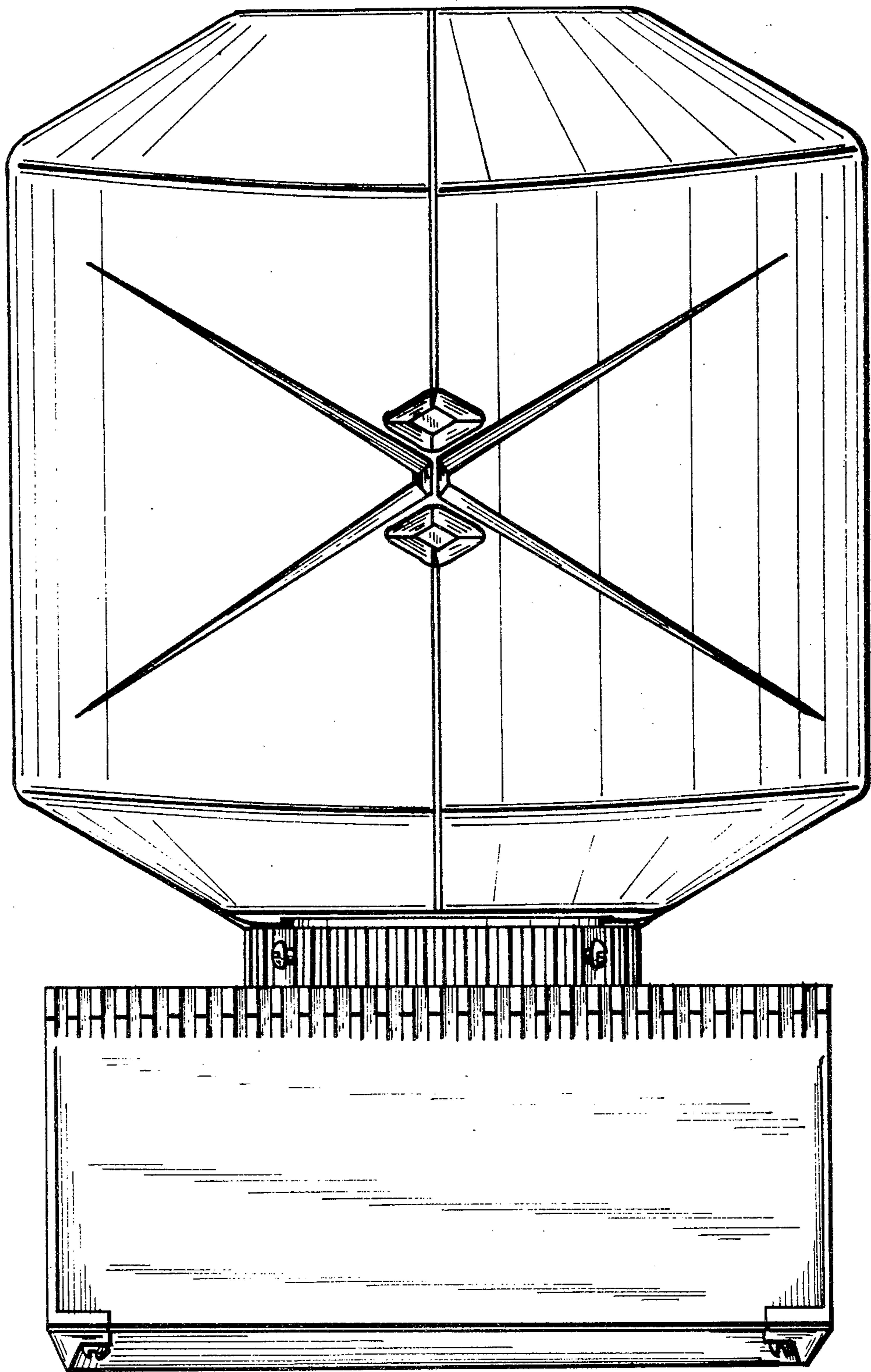


FIG. 6