

[54] FLASHLIGHT

[75] Inventor: Andrew Yau, Hong Kong, Hong Kong

[73] Assignee: Practical Products Mfy, Ltd, Hong Kong, Hong Kong

[**] Term: 14 Years

[21] Appl. No.: 523,077

[22] Filed: Aug. 15, 1983

[30] Foreign Application Priority Data

May 19, 1983 [GB] United Kingdom 1013146
[52] U.S. Cl. D26/49
[58] Field of Search D26/37-50;
362/157, 158, 183-208

[56] References Cited

U.S. PATENT DOCUMENTS

D. 146,726 5/1948 Amstutz D26/49
D. 188,288 6/1960 Hansen et al. D26/49

3,539,800 11/1970 Doring D26/49 X

FOREIGN PATENT DOCUMENTS

1494088 7/1967 France 362/184

OTHER PUBLICATIONS

Chris Craft Catalog, 9-10-1976, p. 37, top, Flashlight.

Primary Examiner—Susan J. Lucas
Attorney, Agent, or Firm—Kinzer, Plyer, Dorn & McEachran

[57] CLAIM

The ornamental design for a flashlight, as shown and described.

DESCRIPTION

FIG. 1 is a plan view of a flashlight showing my new design;
FIG. 2 is a front elevation view of the flashlight;
FIG. 3 is a rear elevation view of the flashlight;
FIG. 4 is a side elevation view of the flashlight;
FIG. 5 is a front perspective view of the flashlight; and
FIG. 6 is a rear perspective view of the flashlight.

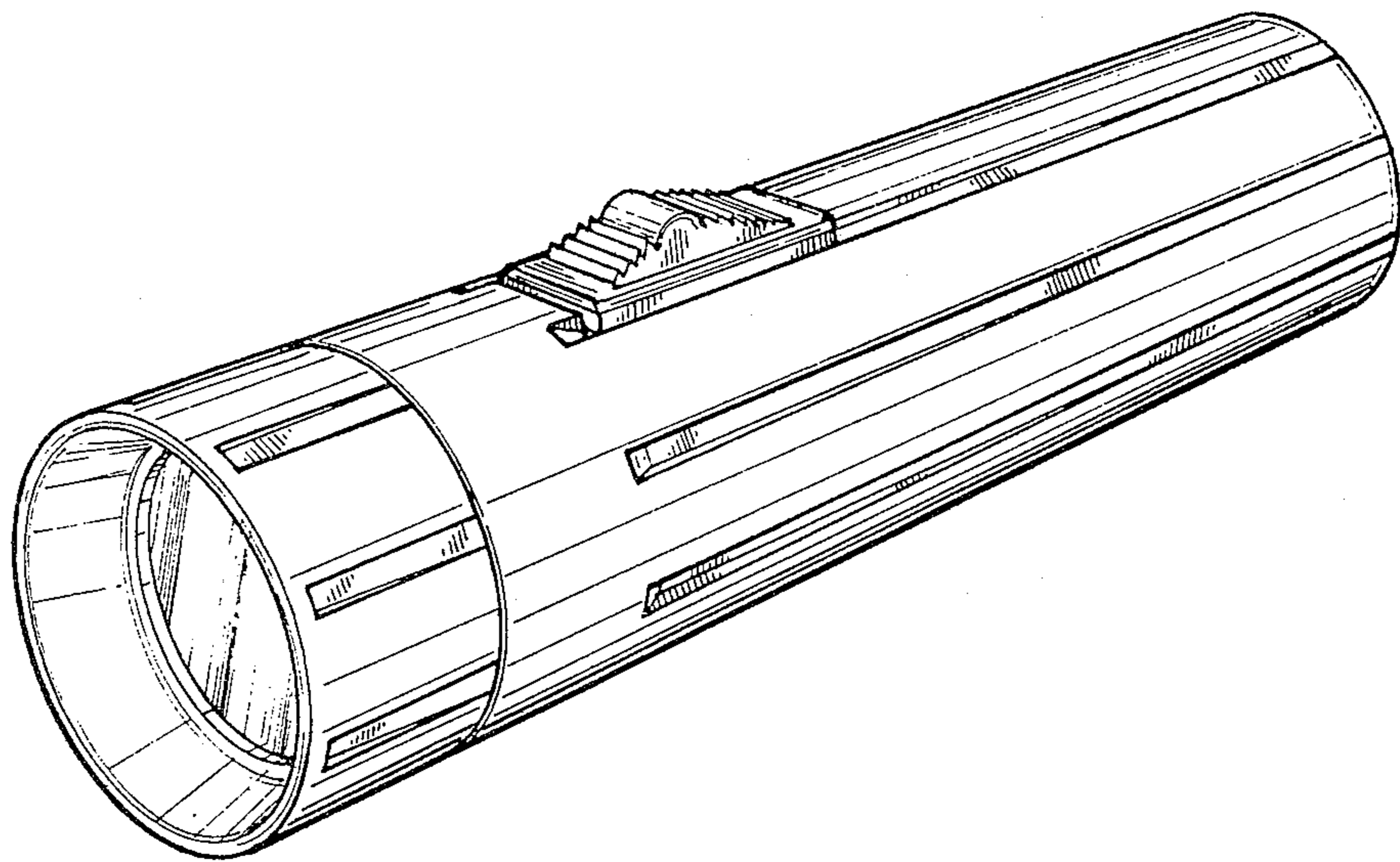


FIG. 1.

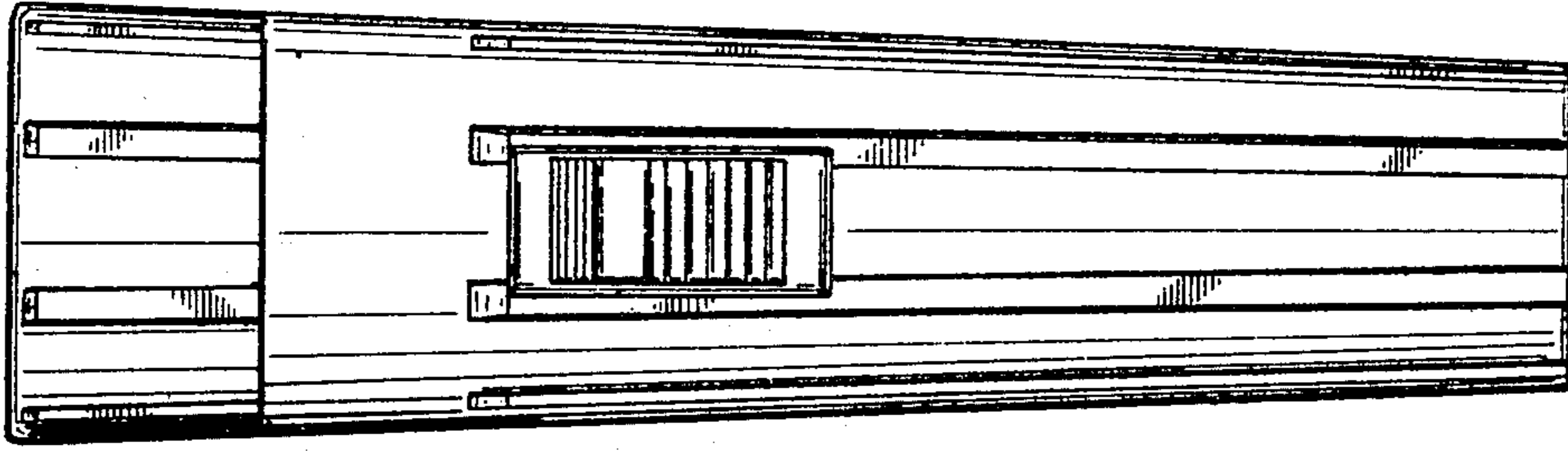


FIG. 2.

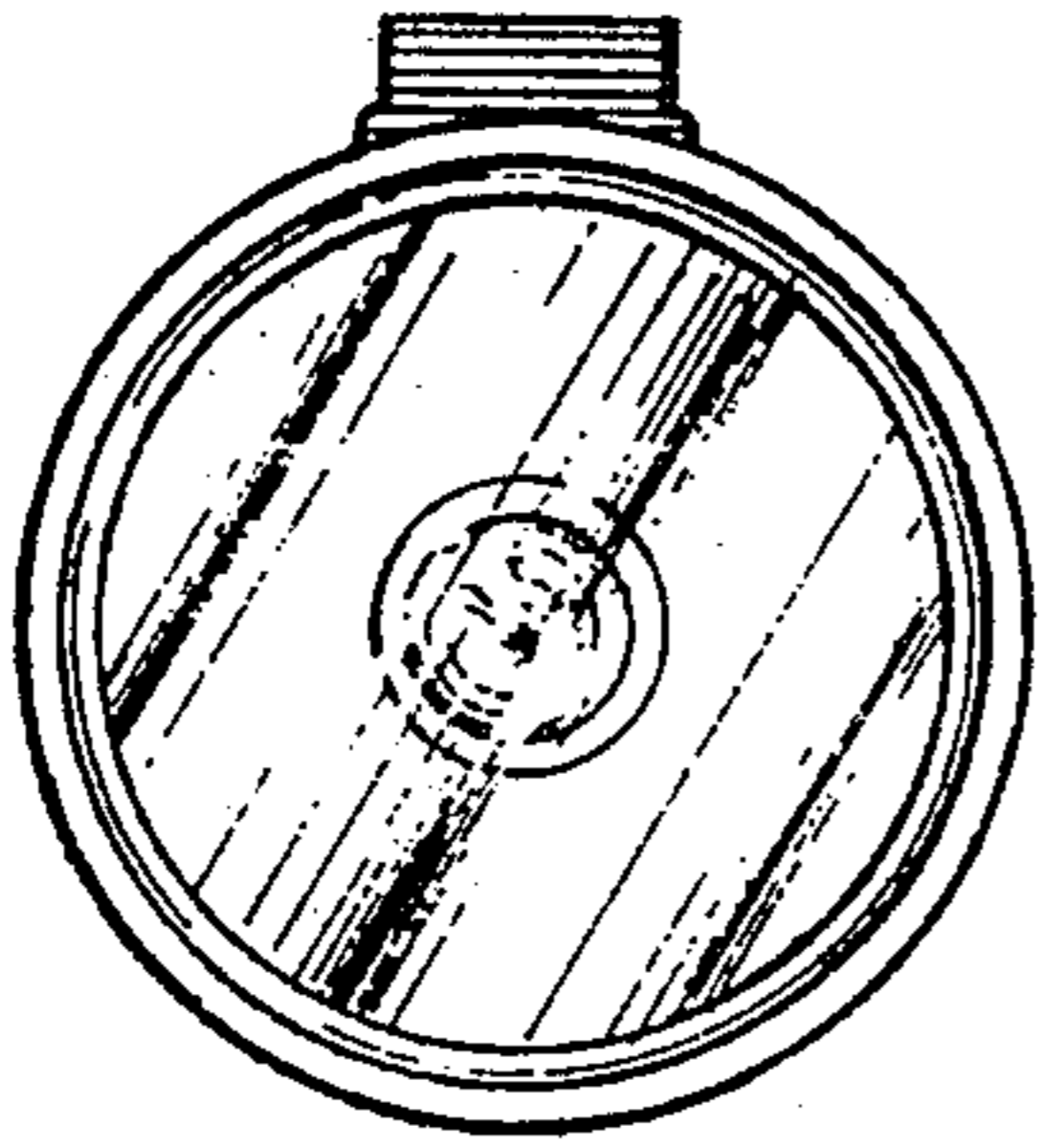


FIG. 3.

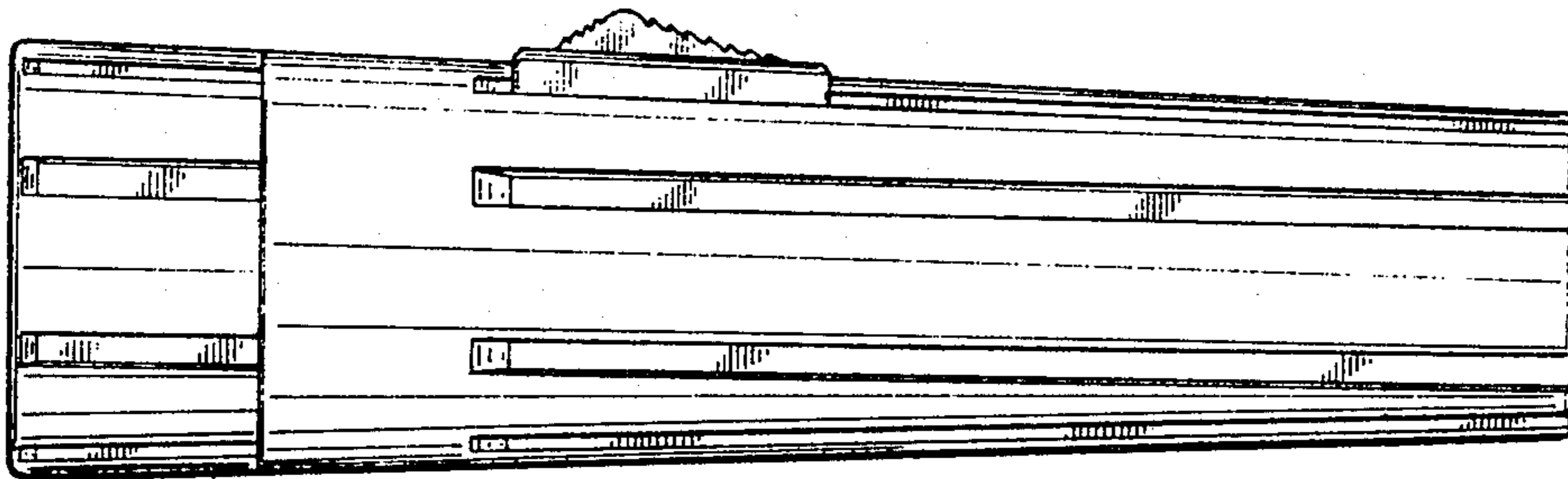
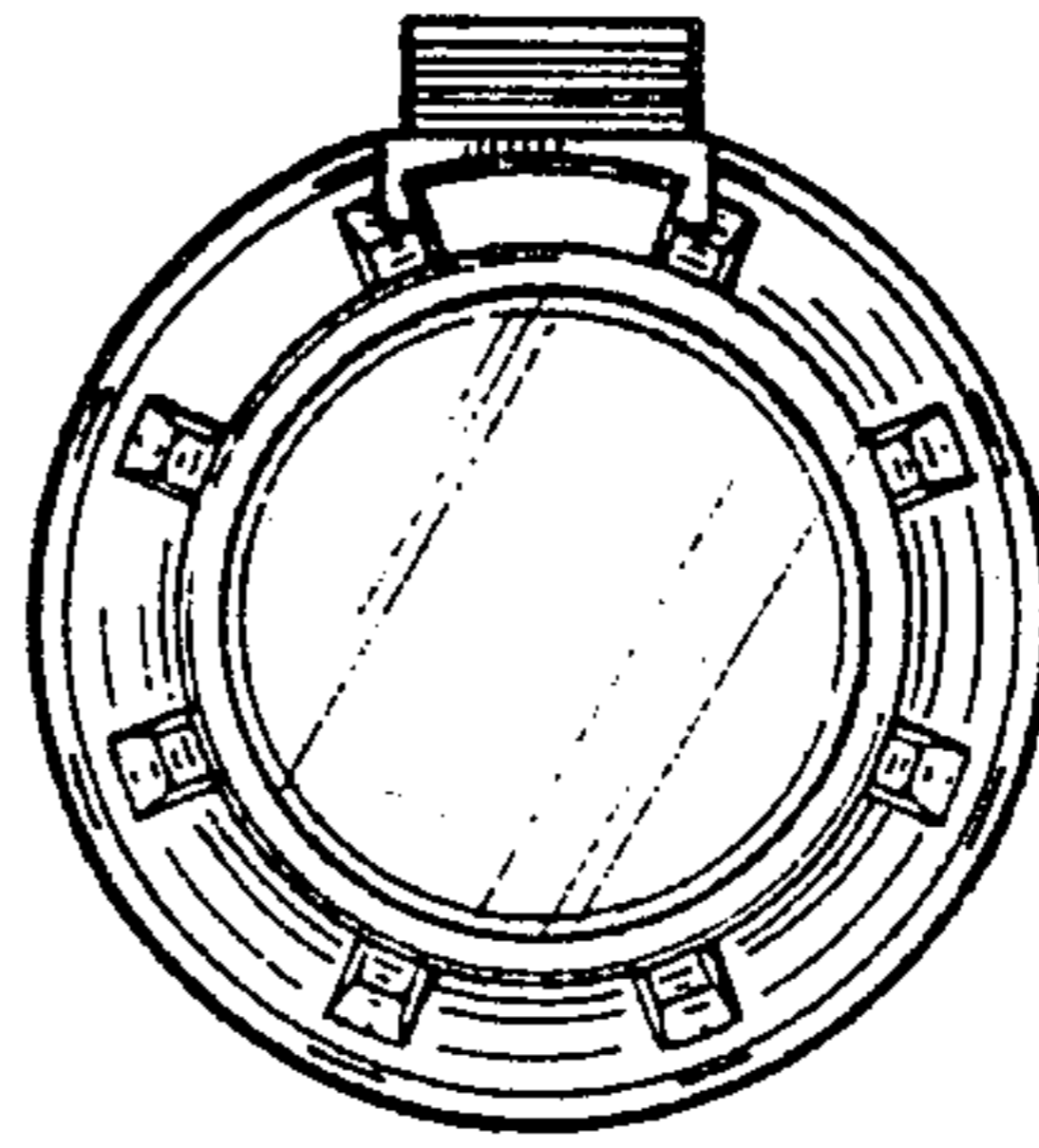


FIG. 4.

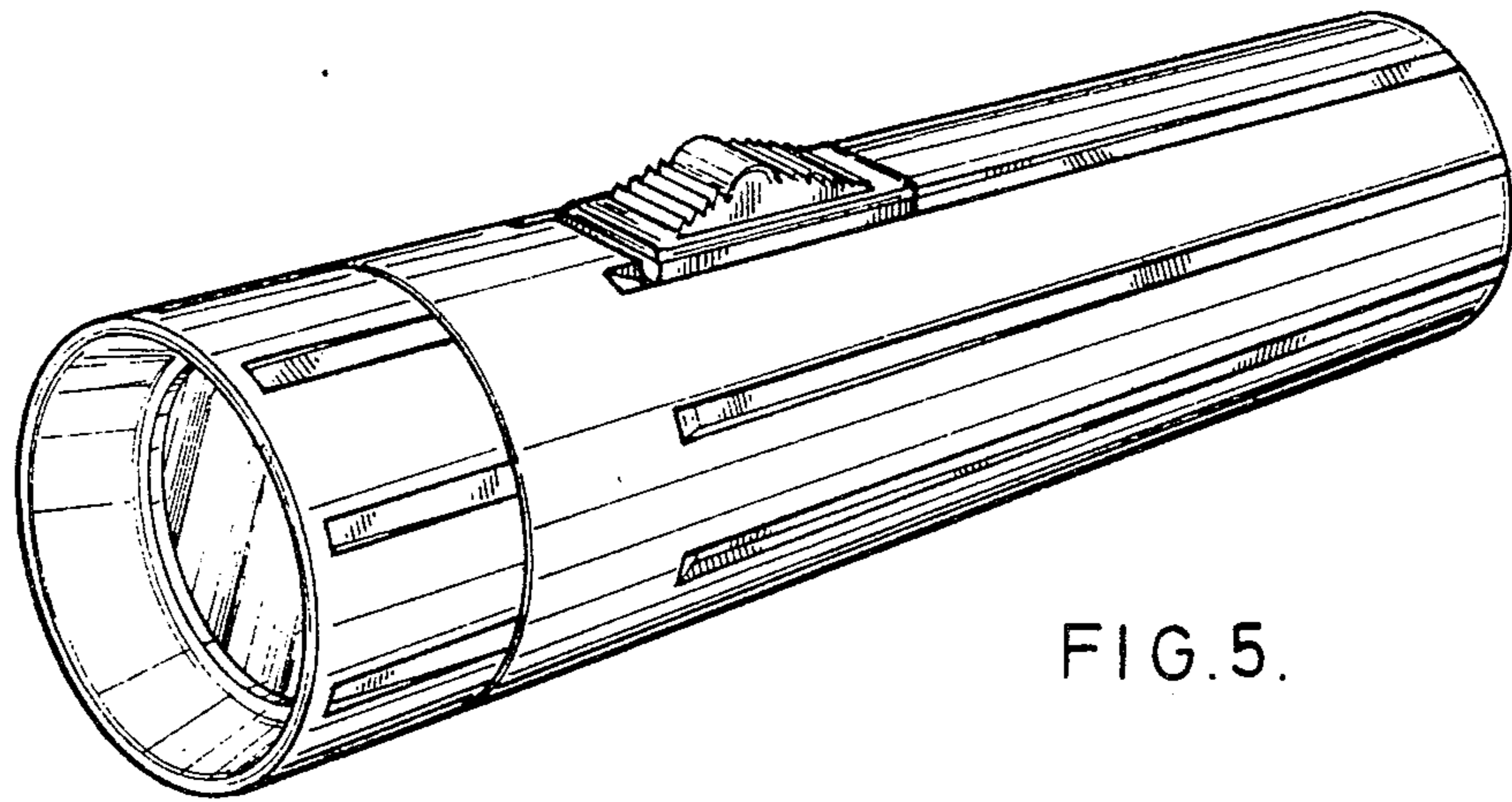


FIG. 5.

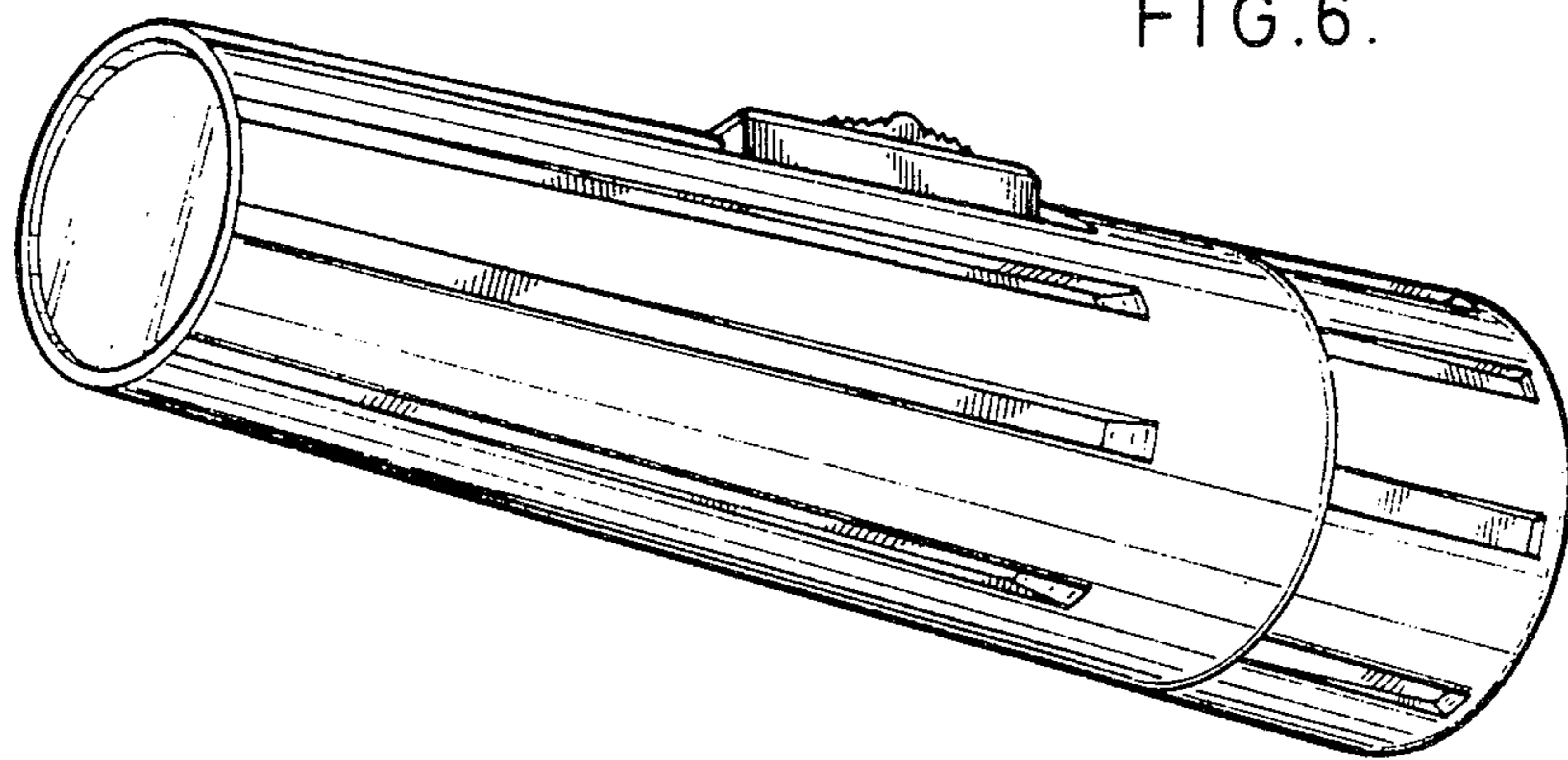


FIG. 6.