

[54] DISPOSABLE SWAB APPLICATOR

[75] Inventors: Jean M. Mathias, Nivelles; Jean Kersten, St. Amand, both of Belgium

[73] Assignee: Baxter Travenol Laboratories, Inc., Deerfield, Ill.

[\*\*] Term: 14 Years

[21] Appl. No.: 557,809

[22] Filed: Dec. 5, 1983

[52] U.S. Cl. .... D24/34; D24/63

[58] Field of Search ..... D24/63, 34; 604/1, 2, 604/3

[56] References Cited

U.S. PATENT DOCUMENTS

D. 272,091	1/1984	Kaufman	.....	D24/34
D. 274,098	5/1984	Kaufman	.....	D24/34
D. 274,160	6/1984	Kaufman	.....	D24/34
3,299,464	1/1967	O'Brien et al.	.....	15/506
3,386,793	6/1968	Stanton	.....	401/132
3,860,348	1/1975	Doyle	.....	401/6
4,140,409	2/1979	DeVries	.....	401/132
4,173,978	11/1979	Brown	.....	128/269
4,360,020	11/1982	Hitchcock, Jr. et al.	.....	128/269
4,430,013	2/1984	Kaufman	.....	604/3

FOREIGN PATENT DOCUMENTS

76242290[U] 1/1977 Fed. Rep. of Germany .  
1081624 8/1967 United Kingdom .

Primary Examiner—A. Hugo Word  
Assistant Examiner—Stella Reid  
Attorney, Agent, or Firm—Bradford R. L. Price; Paul C. Flattery; Kay H. Pierce

[57] CLAIM

The ornamental design for a disposable swab applicator, substantially as shown and described.

DESCRIPTION

FIG. 1 is a perspective view of a disposable swab applicator embodying our new design;  
FIG. 2 is another perspective view of the disposable swab applicator shown in FIG. 1;  
FIG. 3 is a front elevational view of the disposable swab applicator shown in FIG. 1;  
FIG. 4 is a side elevational view of the disposable swab applicator shown in FIG. 1, taken from the right side of FIG. 3;  
FIG. 5 is a top plan view of the disposable swab applicator shown in FIG. 1; and  
FIG. 6 is a perspective view of the disposable swab applicator of FIG. 1 with end of the cover in folded position.

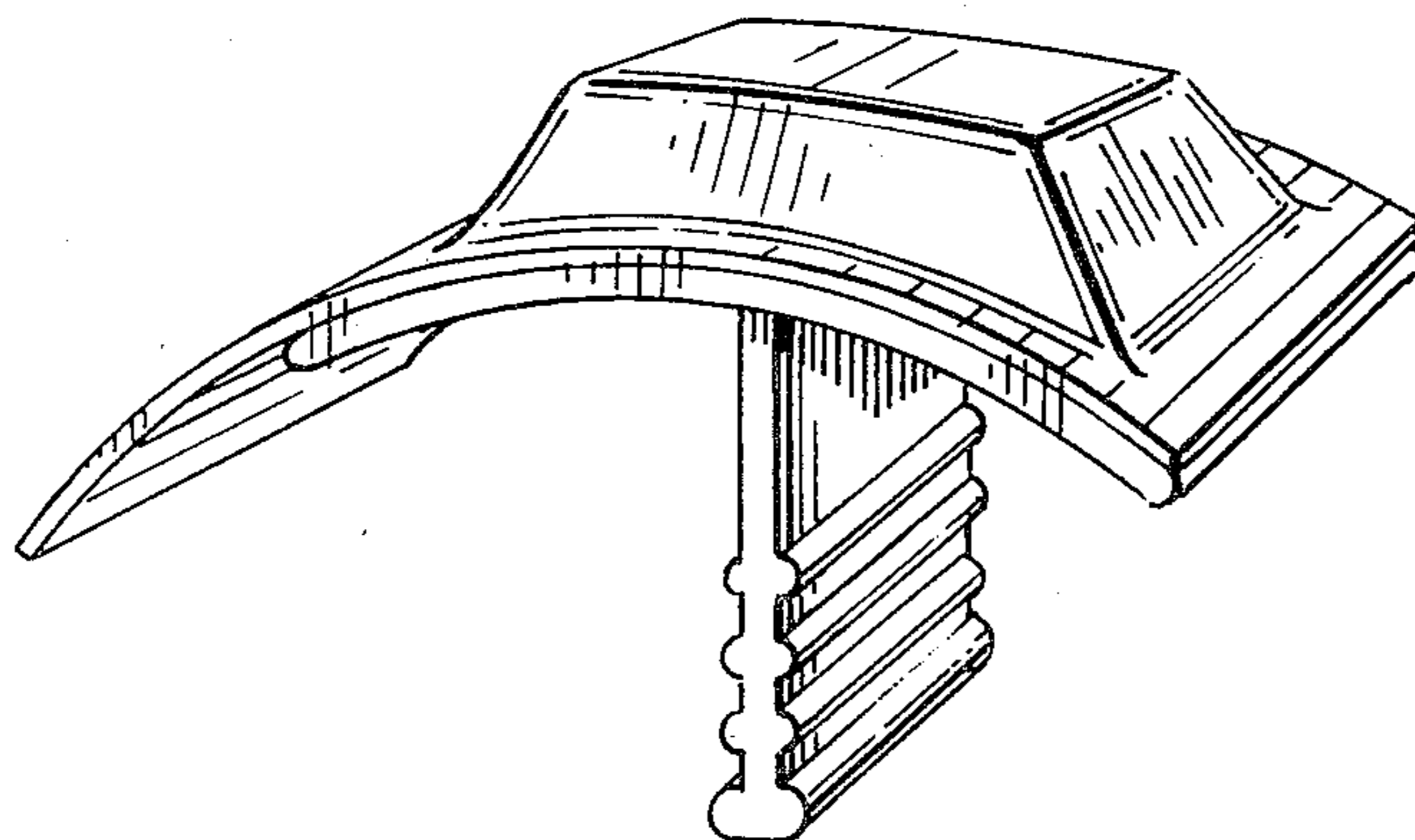


FIG. 1

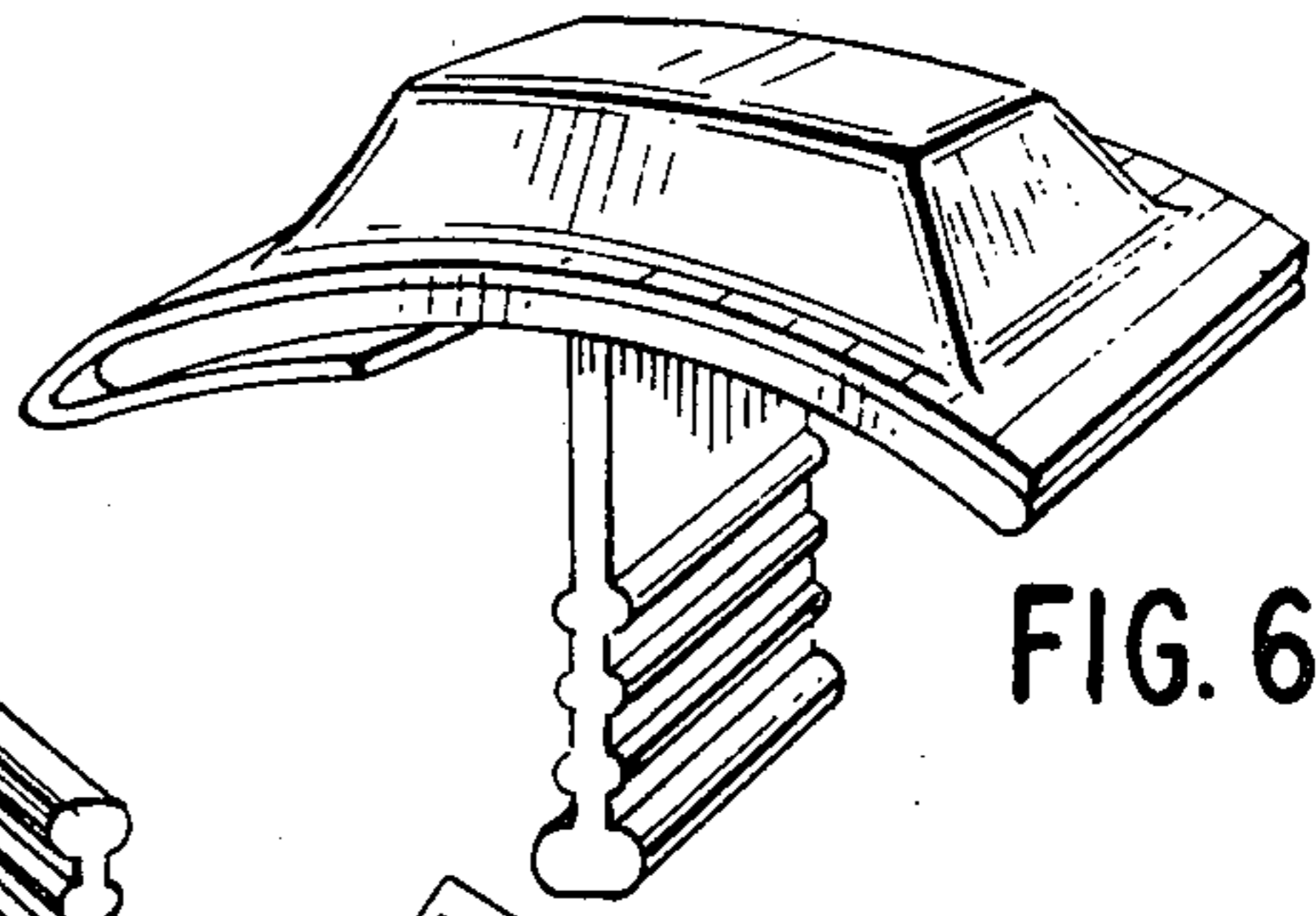
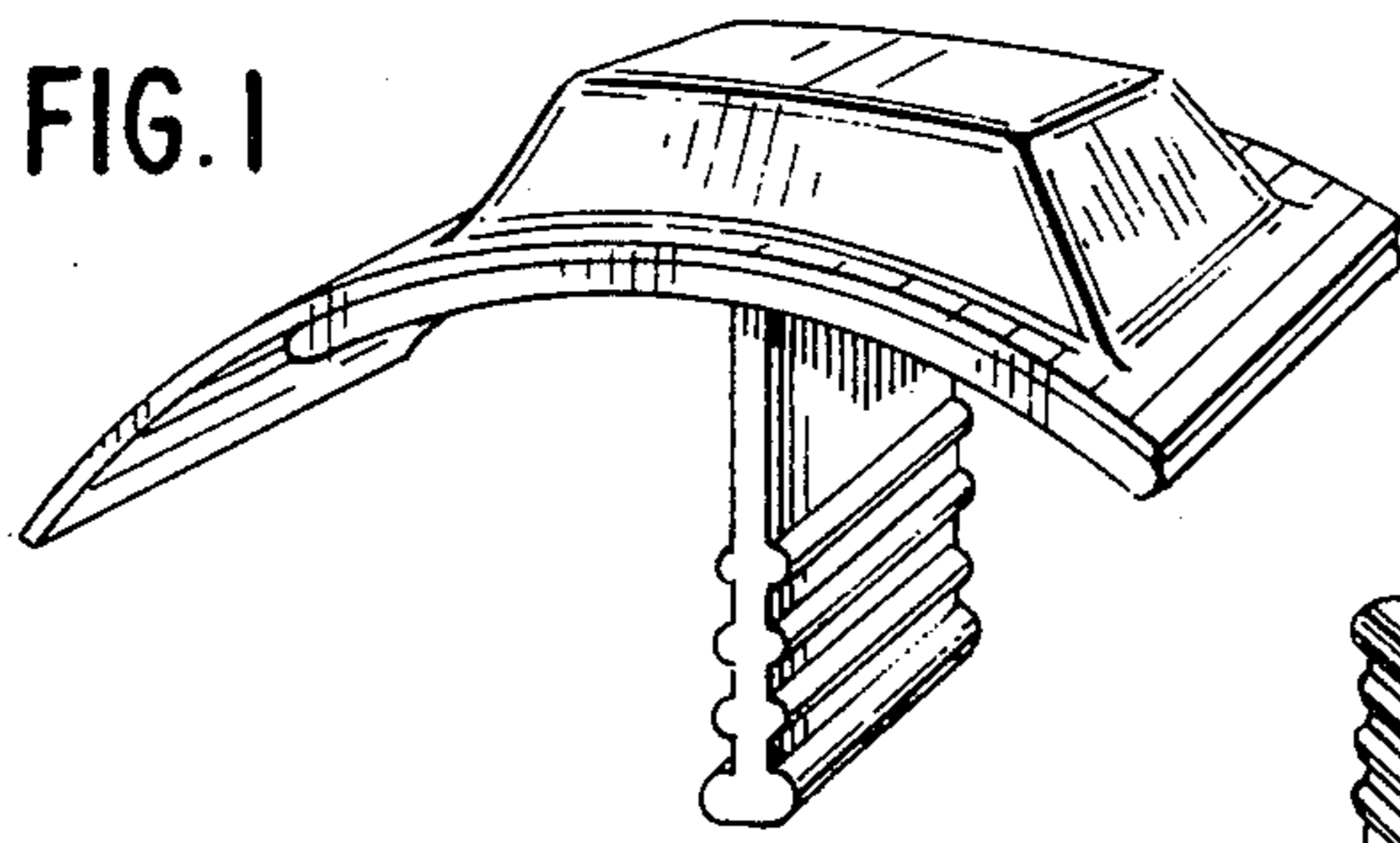


FIG. 6

FIG. 2

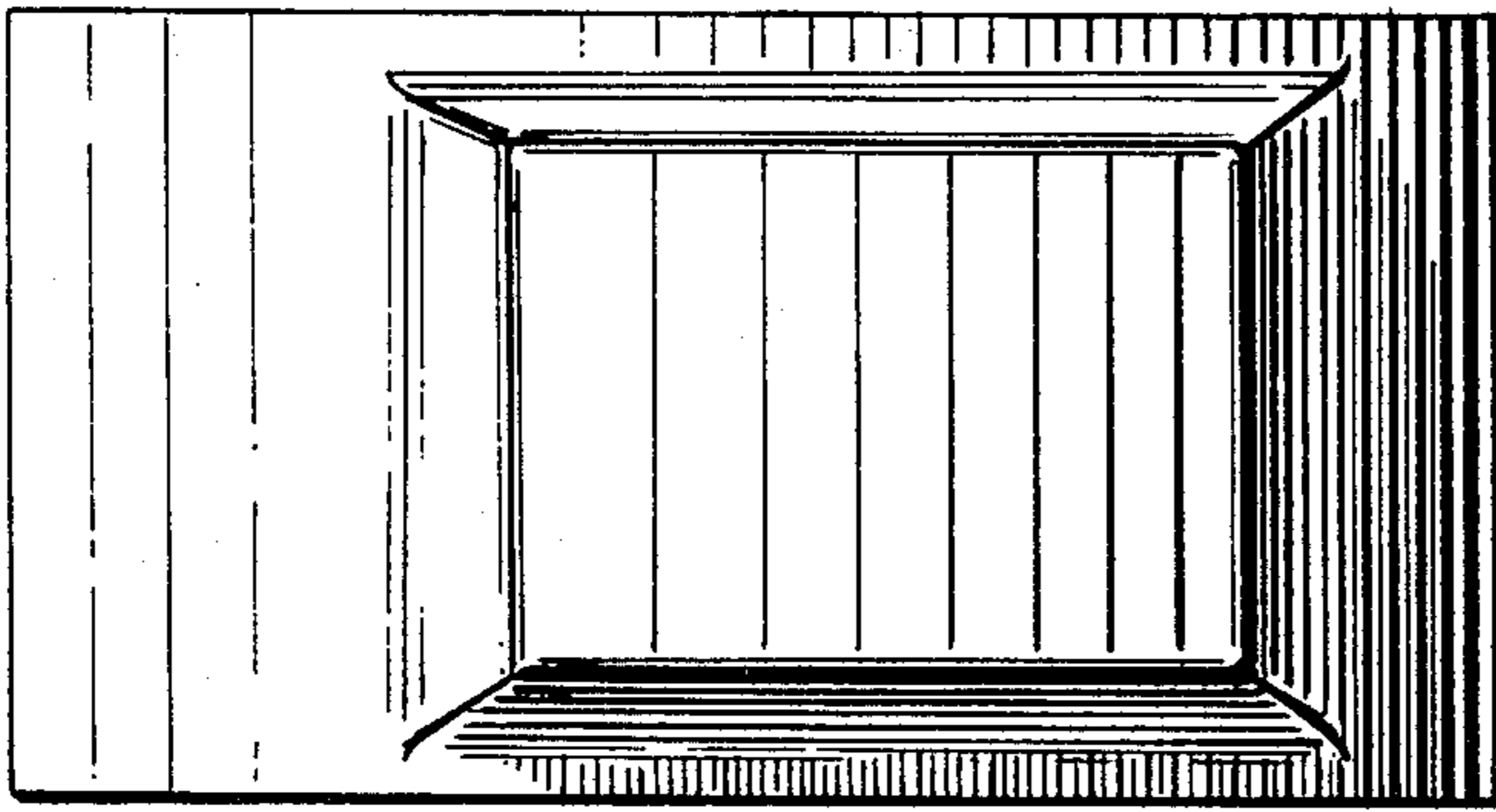
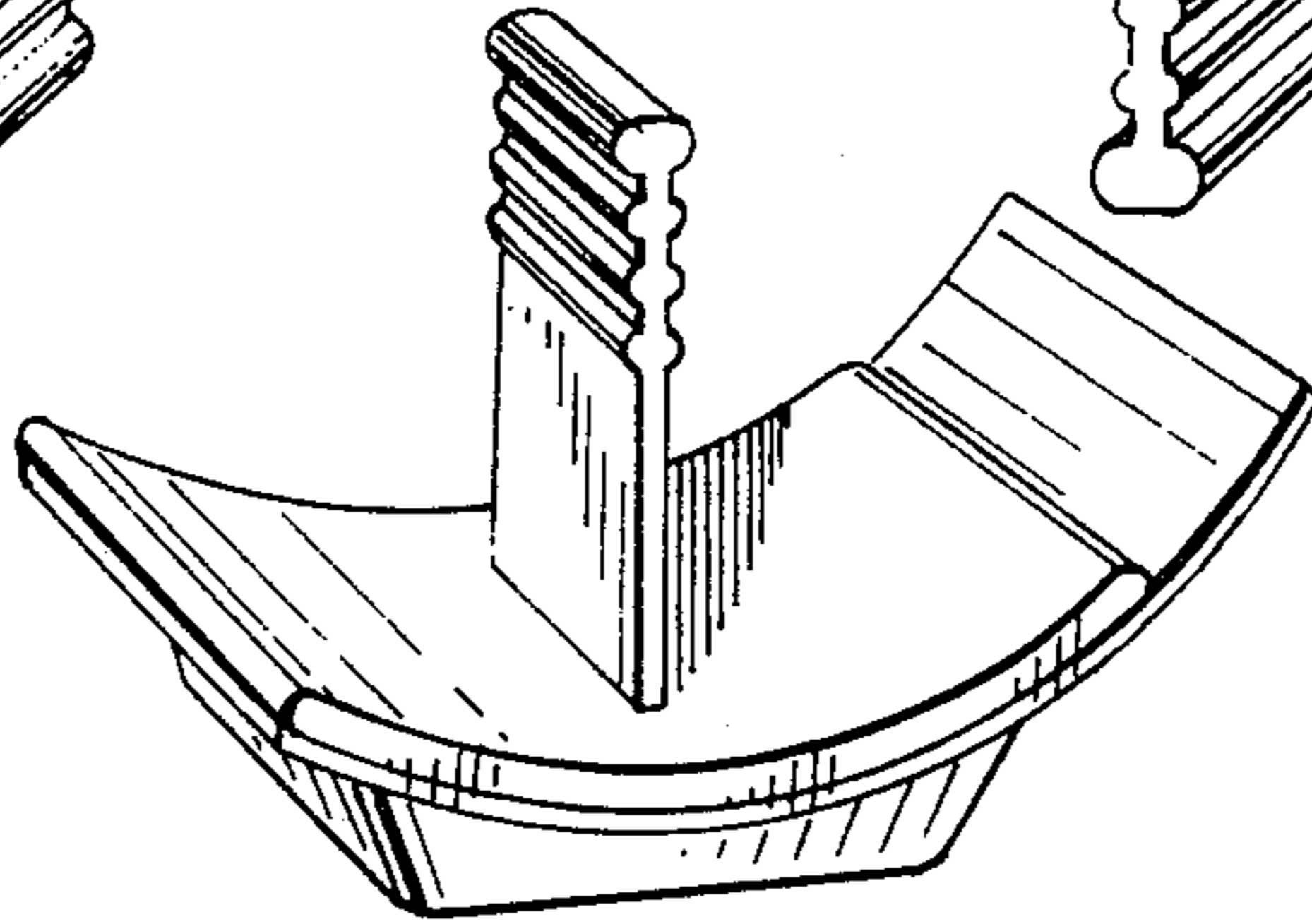


FIG. 5

FIG. 4

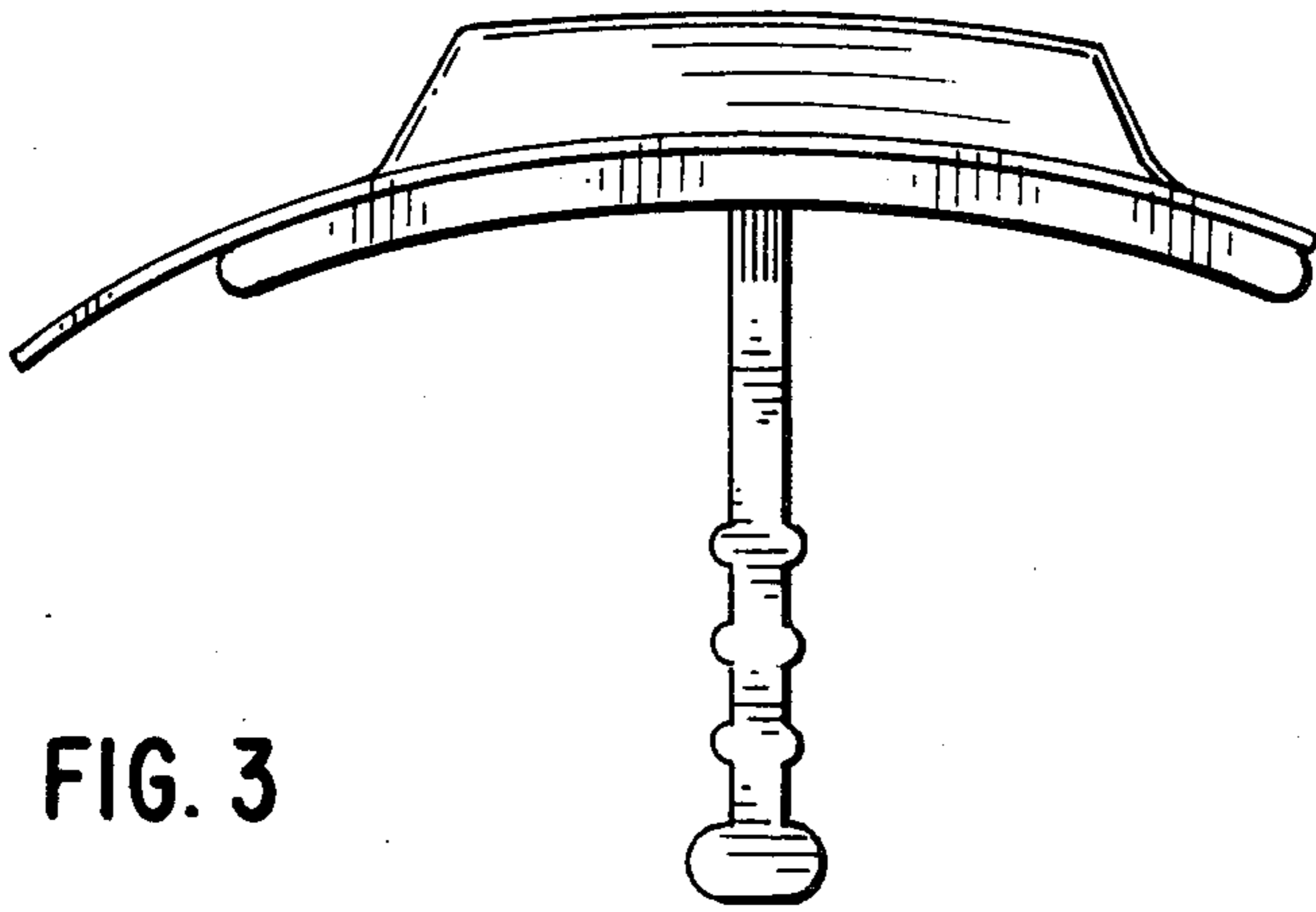


FIG. 3

