

[54] FLEXIBLE CATHETER TUBE FLUSHING CLAMP

[76] Inventor: Harold Jacobson, 14 Breton Ave., Melville, N.Y. 11747

[**] Term: 14 Years

[21] Appl. No.: 526,615

[22] Filed: Aug. 26, 1983

[52] U.S. Cl. D24/27; 251/10

[58] Field of Search D24/27, 25, 29, 51-54, D24/99; 251/4, 7, 10

[56] References Cited

U.S. PATENT DOCUMENTS

- 3,698,681 10/1972 Lacey 251/10
- 3,942,228 3/1976 Buckman et al. 251/4

FOREIGN PATENT DOCUMENTS

2079410 1/1982 United Kingdom 251/10

Primary Examiner—Wallace R. Burke
Assistant Examiner—Brian N. Vinson
Attorney, Agent, or Firm—Alfred Walker

[57] CLAIM

The ornamental design for a flexible catheter tube flushing clamp, as shown.

DESCRIPTION

FIG. 1 is a perspective view of a flexible catheter tube flushing clamp showing my new design; FIG. 2 is a top plan view thereof; FIG. 3 is a bottom plan view thereof; FIG. 4 is a left-side elevation thereof; FIG. 5 is a right-side elevation thereof; FIG. 6 is a rear elevation thereof; and FIG. 7 is a front elevation thereof.

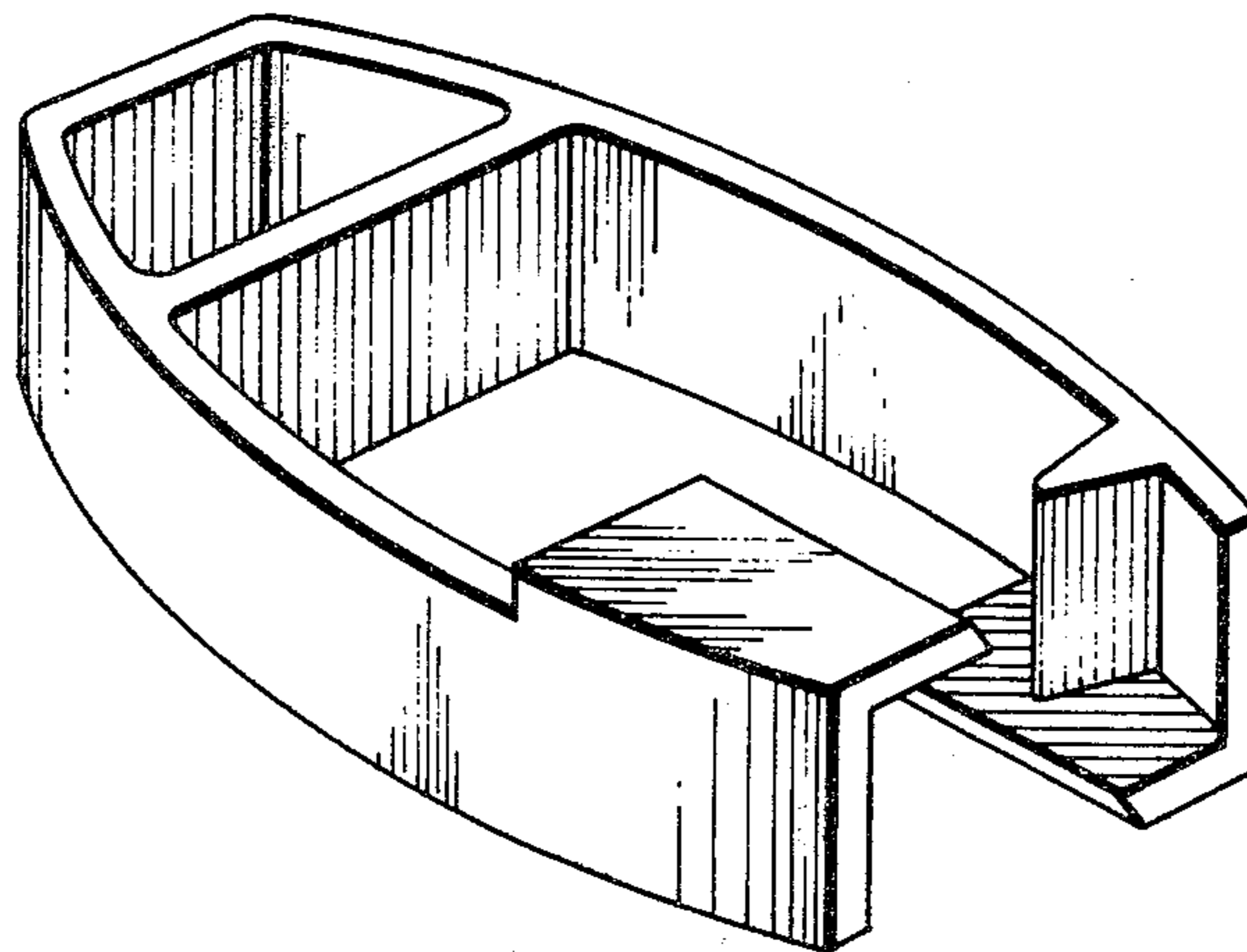


FIG. 1.

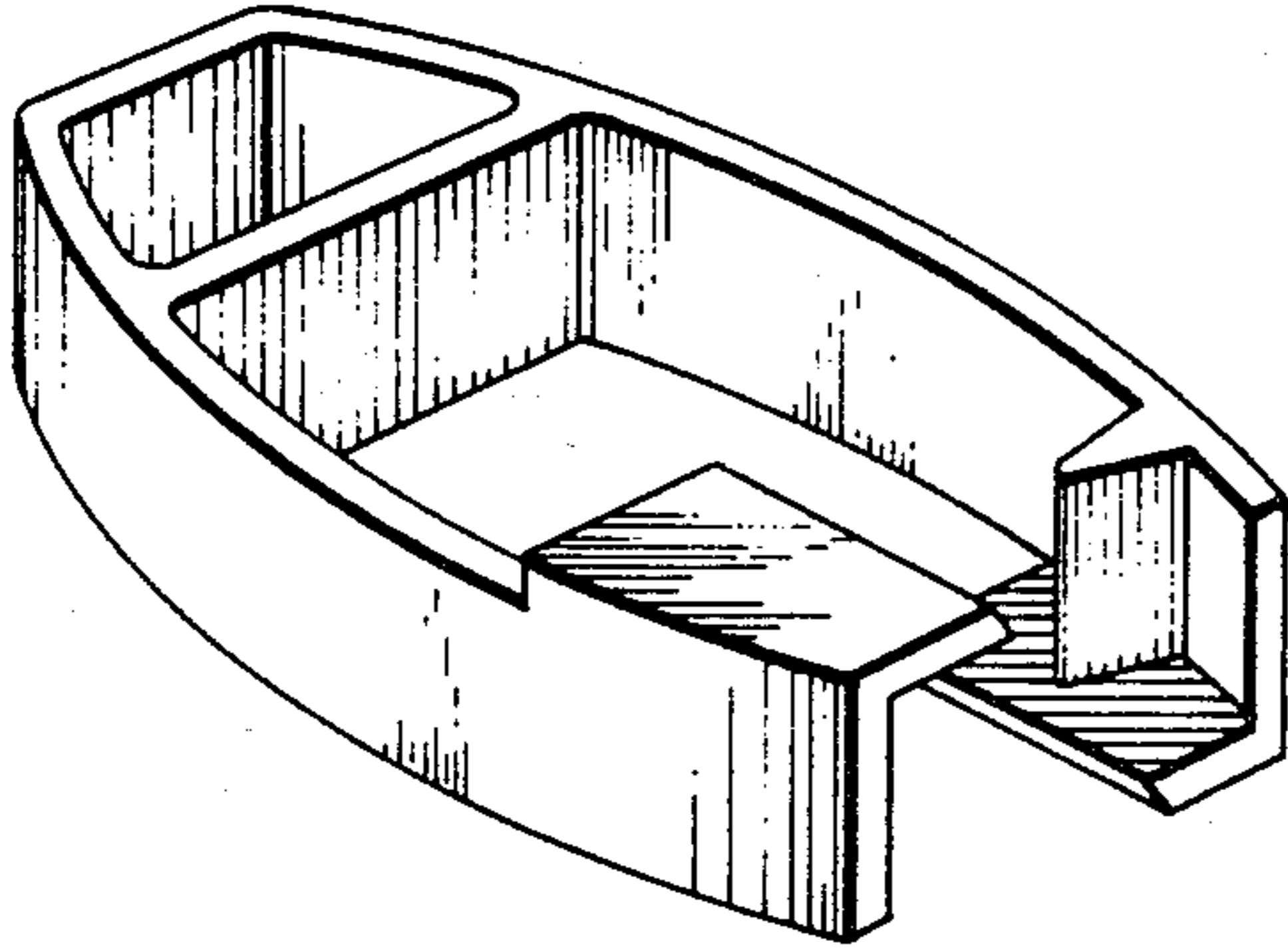


FIG. 2.

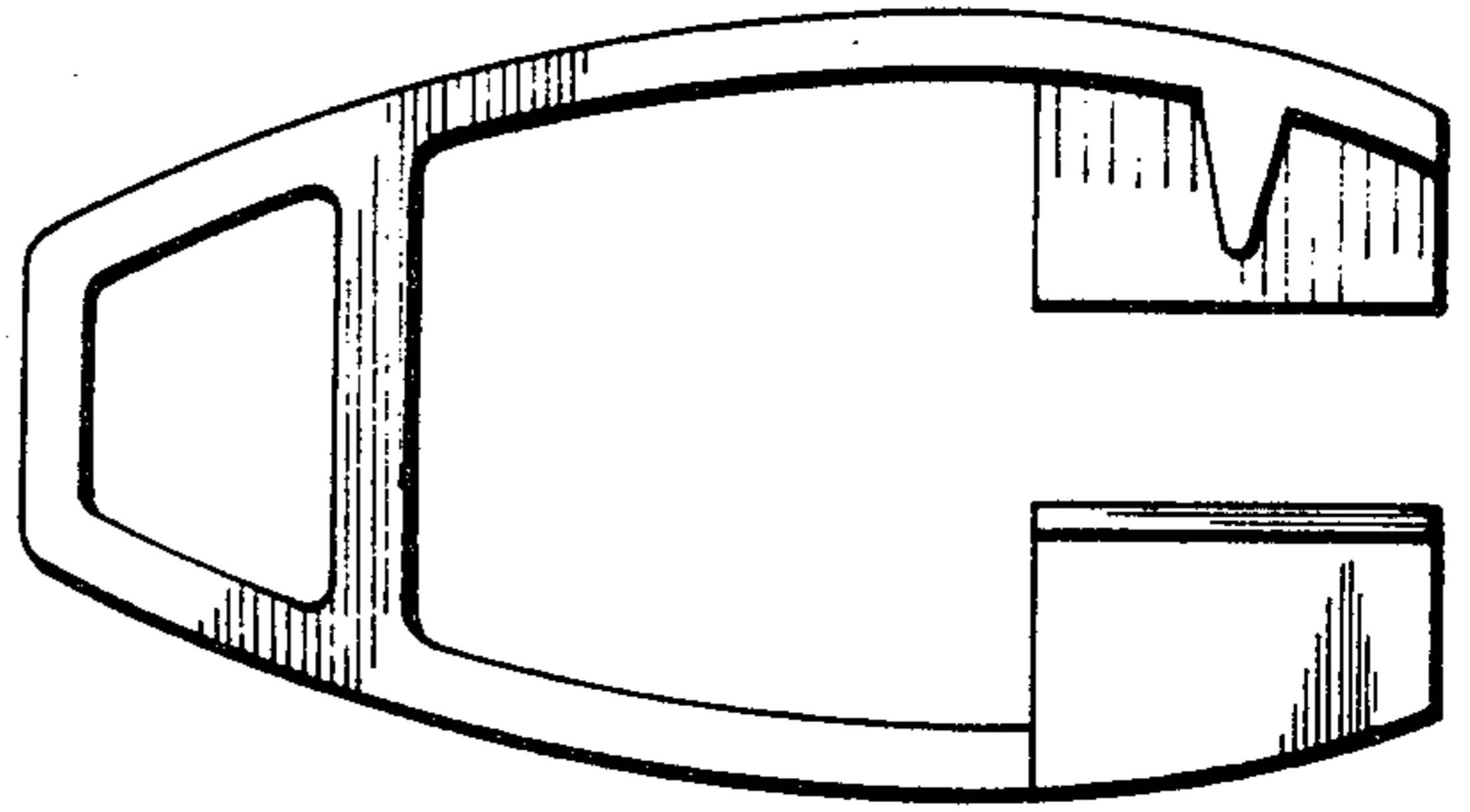


FIG. 3.

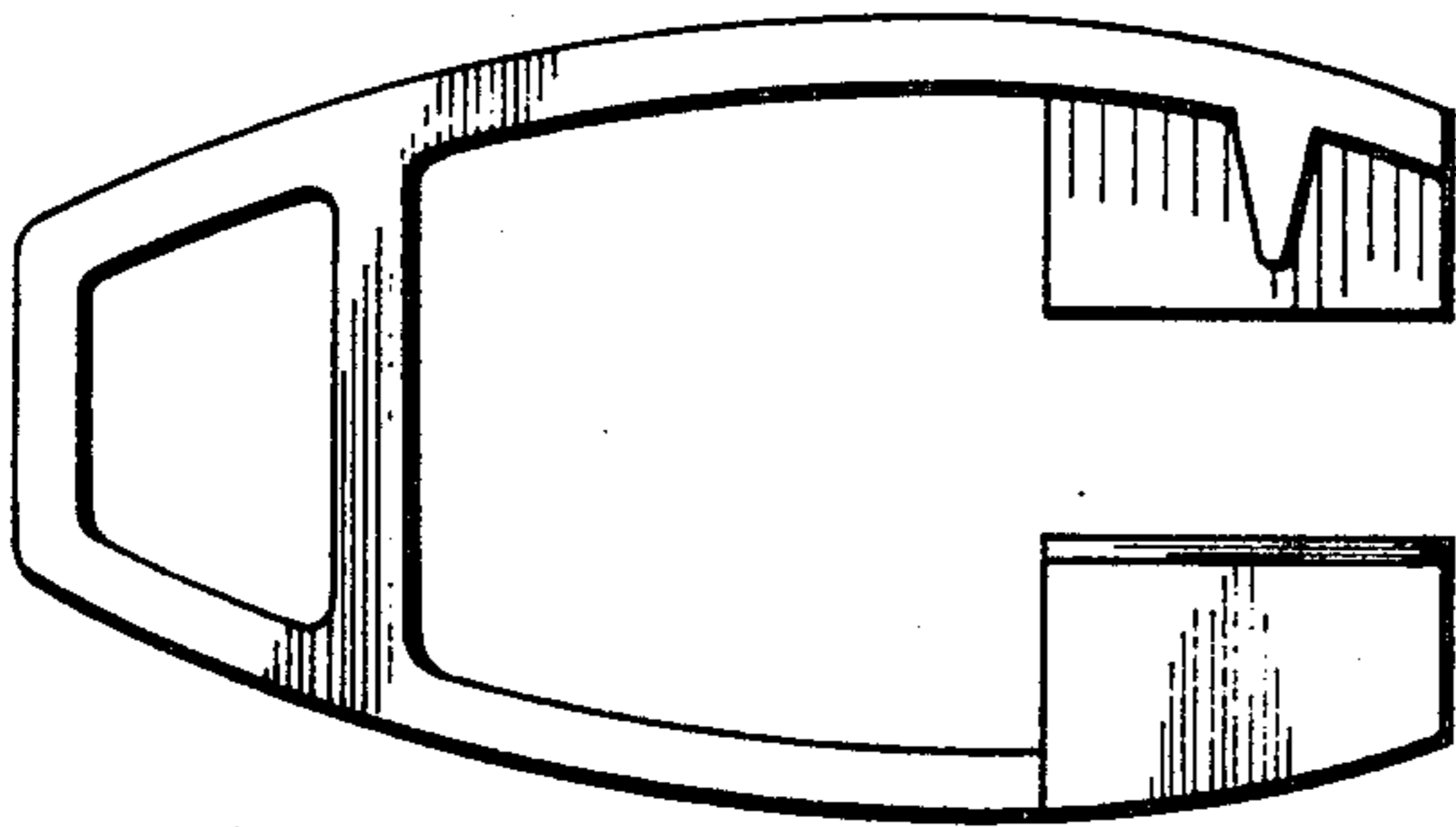


FIG. 6.

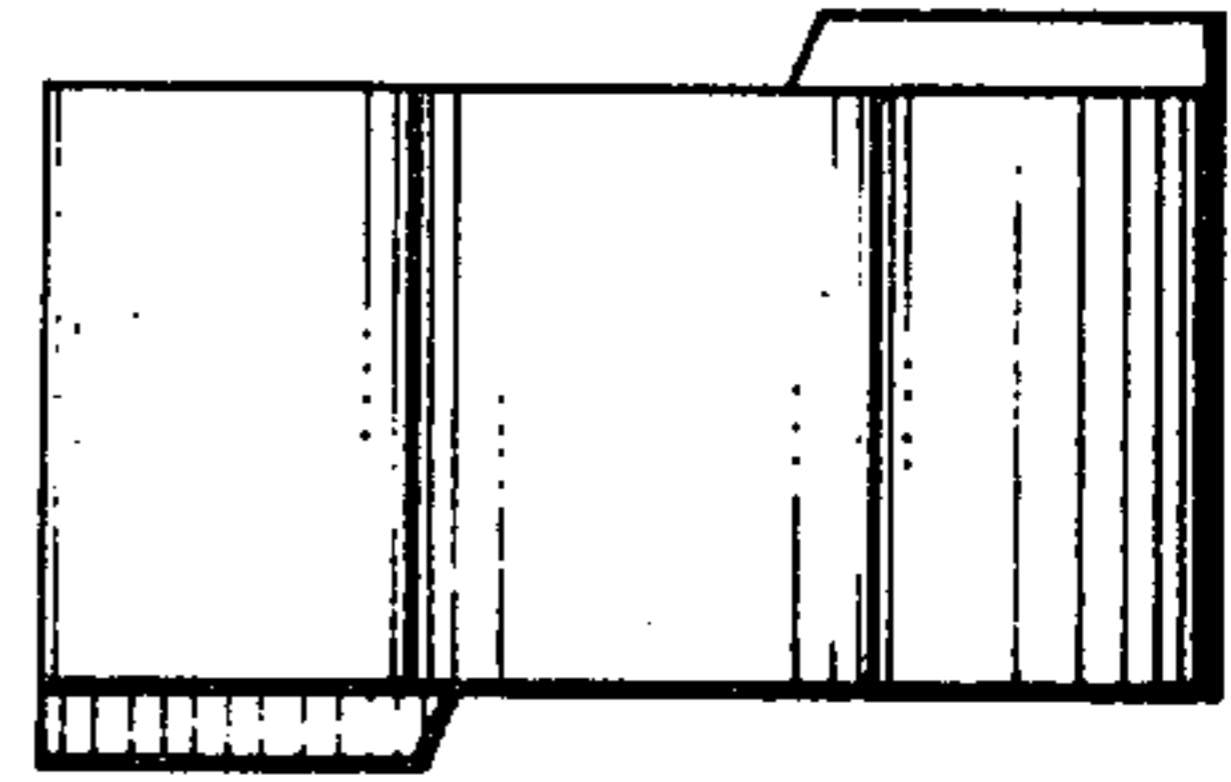


FIG. 4.

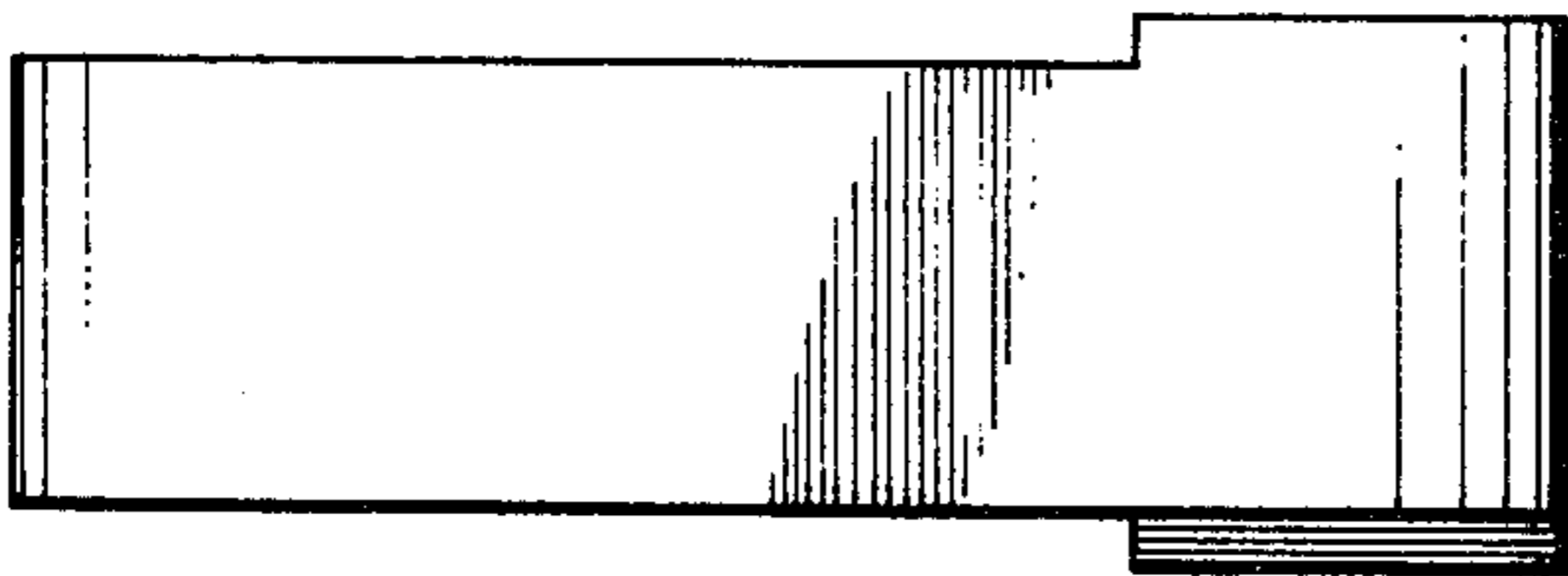


FIG. 7.

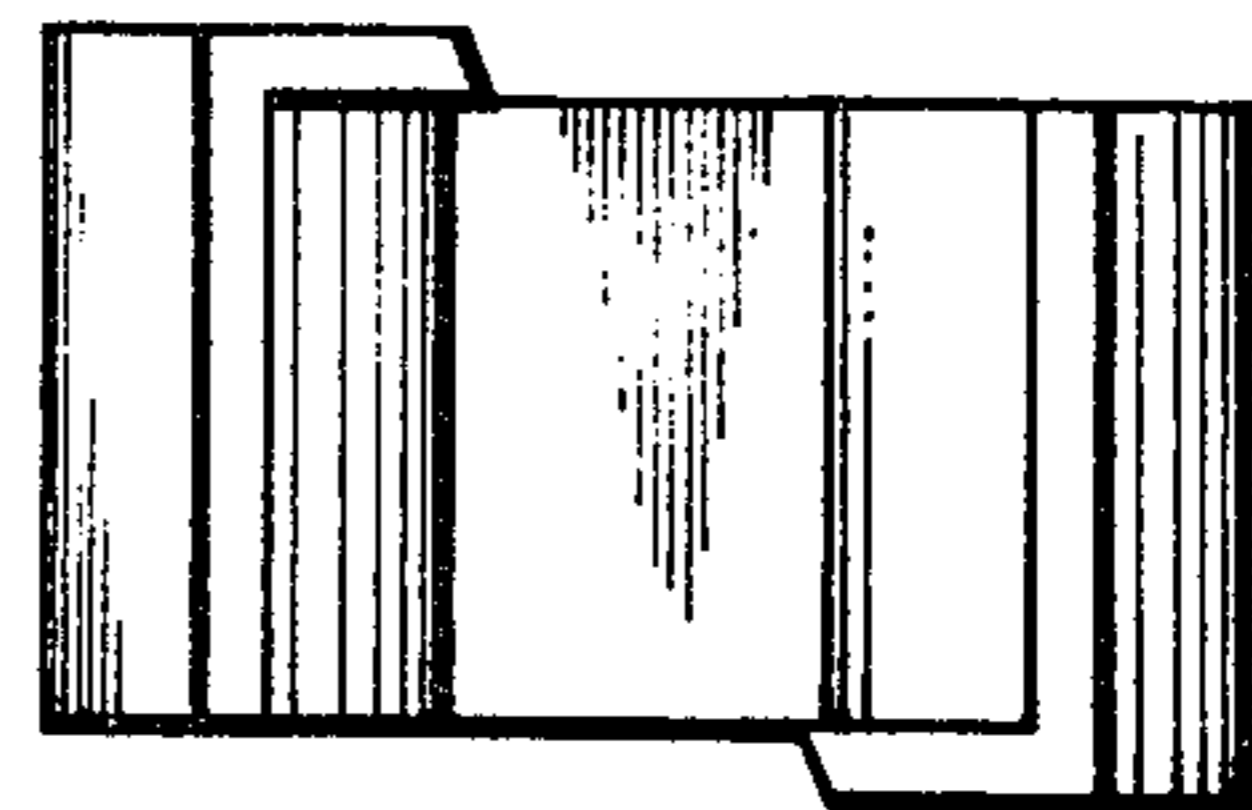


FIG. 5.

