

[54] SPHYGMOMANOMETER

[75] Inventors: Mikio Kosako; Hiroshi Nishibori; Kazumi Osaka; Harumi Fukuda, all of Osaka, Japan

[73] Assignee: Sharp Corporation, Osaka, Japan

[**] Term: 14 Years

[21] Appl. No.: 647,939

[22] Filed: Sep. 5, 1984

[30] Foreign Application Priority Data

Mar. 8, 1984 [JP] Japan 59-9272

[52] U.S. Cl. D24/21

[58] Field of Search D24/8, 17, 21, 99; D9/426; D10/46, 57, 75, 85, 100; D13/40, 41; 128/900, 630, 635, 637, 660-663, 666-667, 672, 680-683, 687-689, 691, 693, 696, 698, 701, 706, 707, 713; 73/748-749, 750; 206/305-306

[56] References Cited

U.S. PATENT DOCUMENTS

- D. 252,948 9/1979 Ferreira D24/17
- D. 261,652 11/1981 Deschamps D13/41
- D. 273,370 4/1984 Eilert D10/75

- D. 277,133 1/1985 Houlihan D24/17
- D. 278,041 3/1985 Clarke D10/75
- 4,397,317 8/1983 Villa-Real 128/680

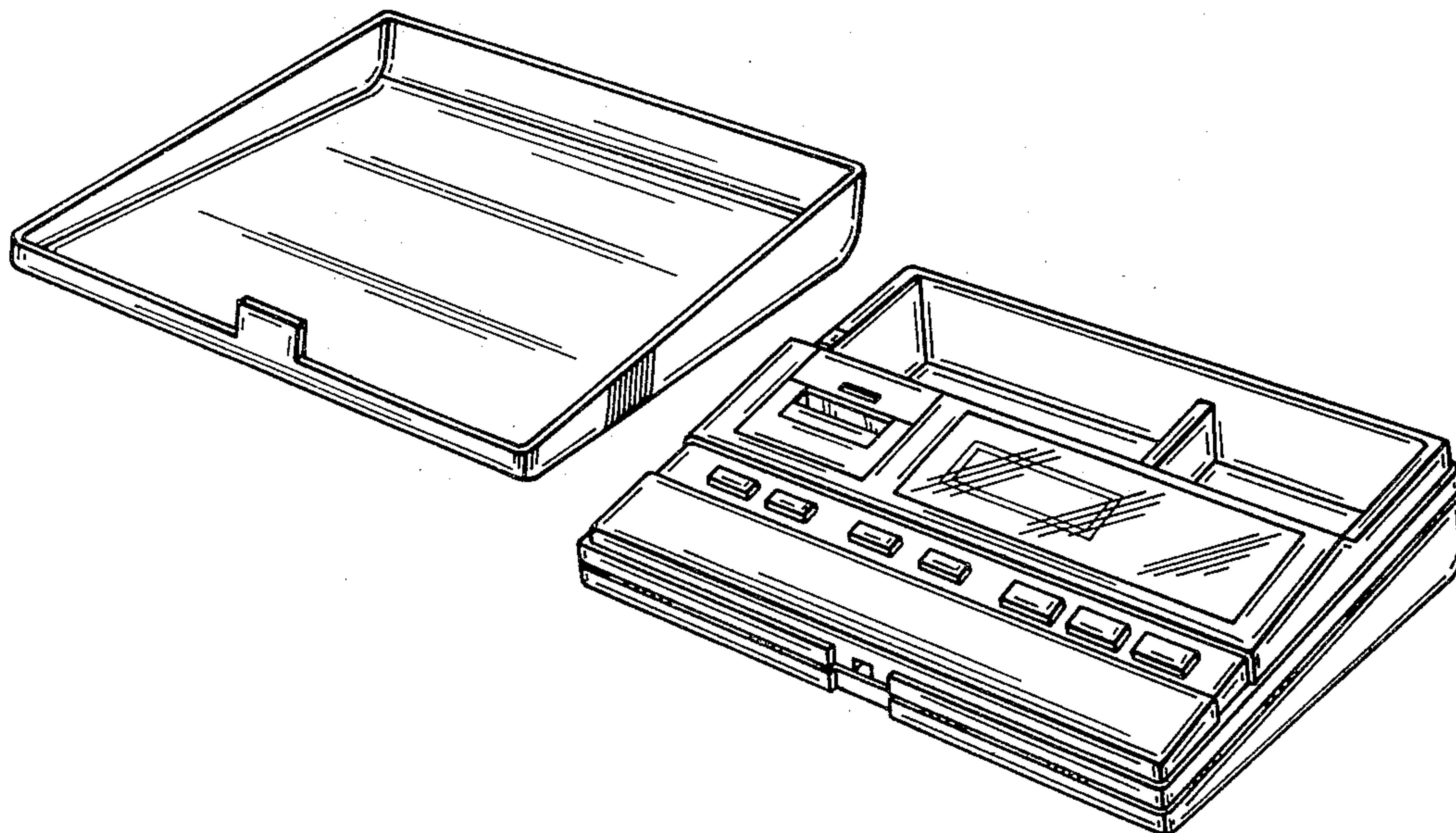
Primary Examiner—Wallace R. Burke
Assistant Examiner—Brian N. Vinson
Attorney, Agent, or Firm—Flehr, Hohbach, Test, Albritton & Herbert

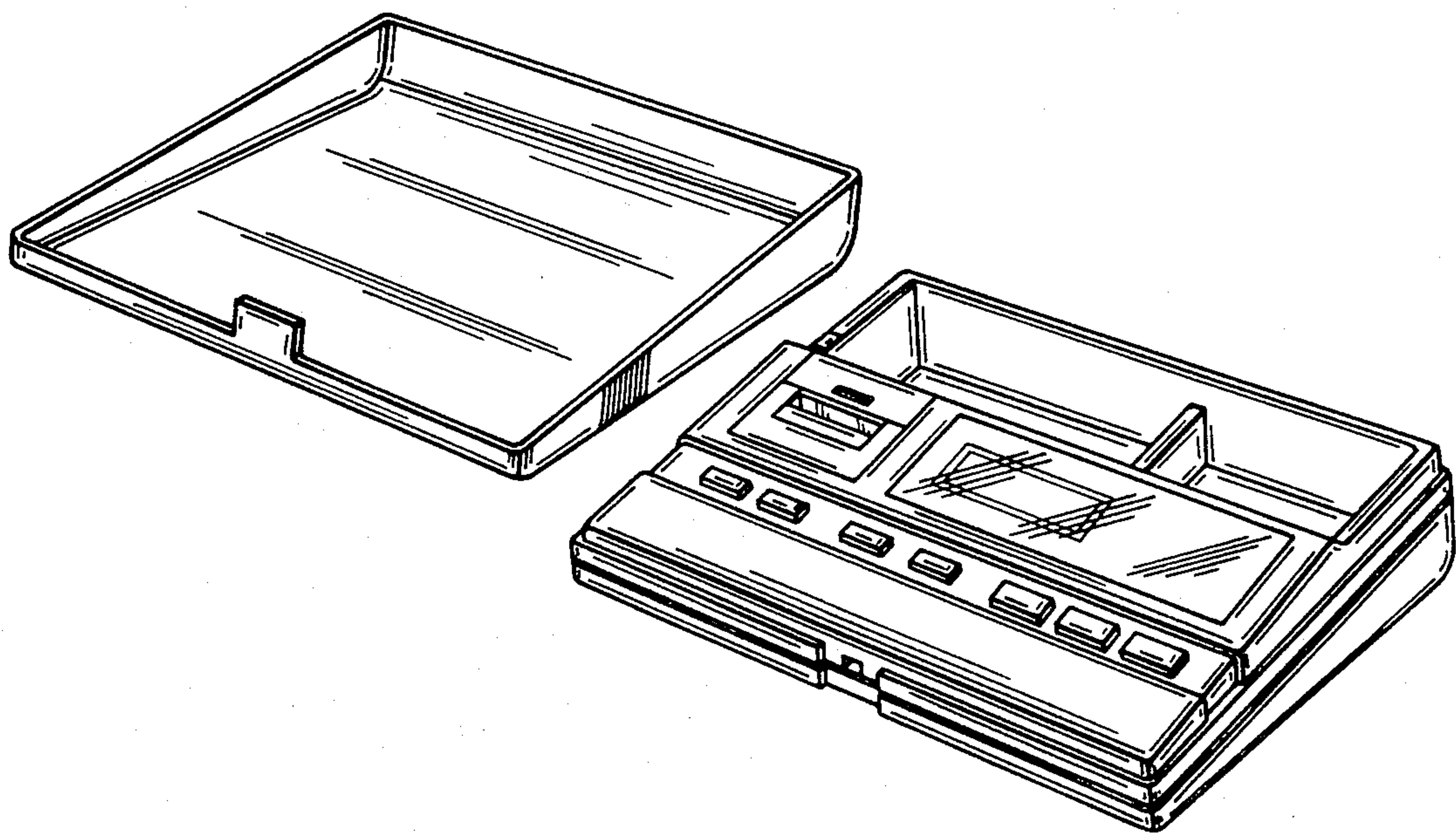
[57] CLAIM

The ornamental design for a sphygmomanometer, as shown and described.

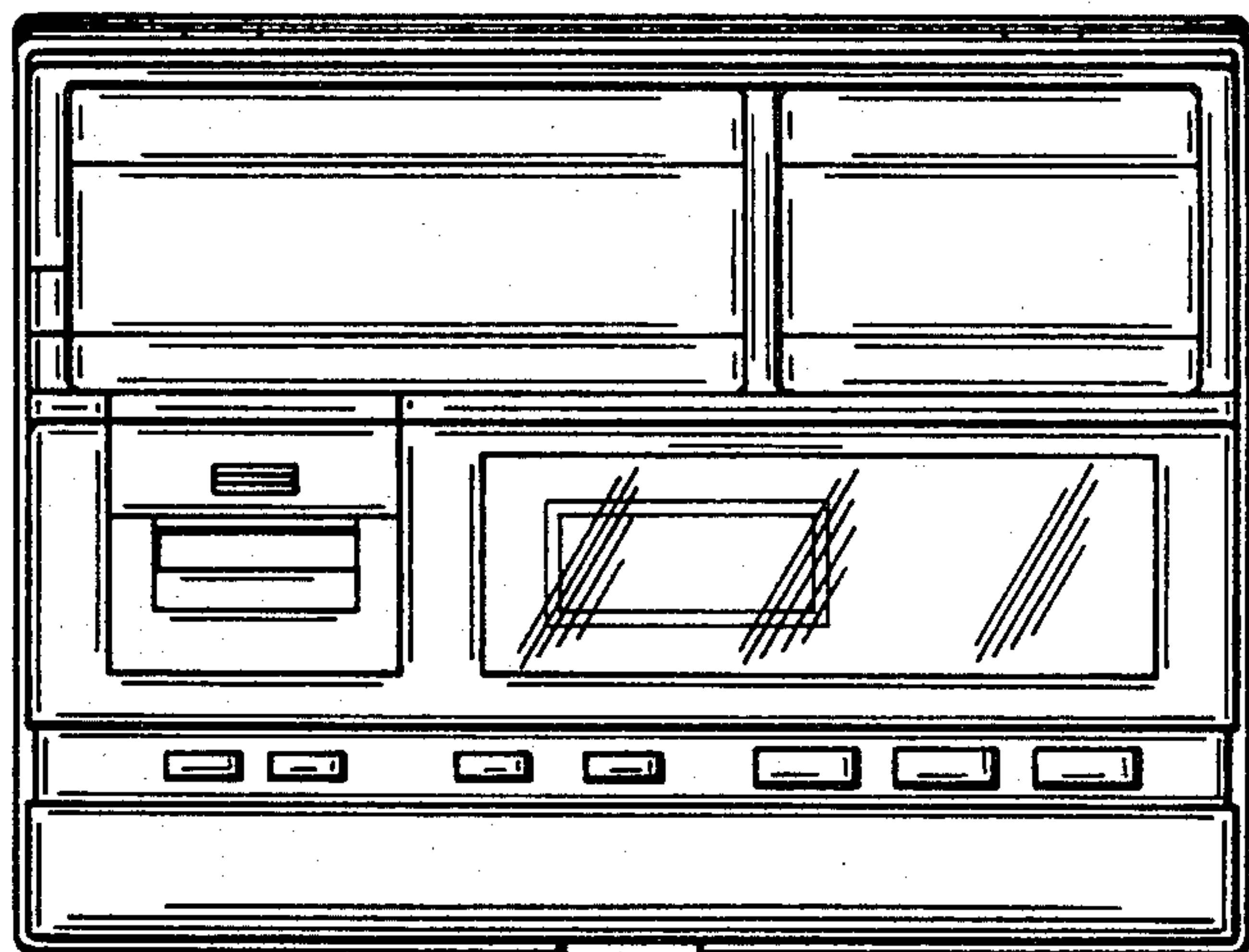
DESCRIPTION

FIG. 1 is a perspective view of the sphygmomanometer with the cover removed showing our new design; FIG. 2 is a top plan view thereof; FIG. 3 is a front elevational view thereof; FIG. 4 is a rear elevational view thereof; FIG. 5 is a right side elevational view thereof; FIG. 6 is a left side elevational view thereof; FIG. 7 is a top plan view thereof with the cover attached; FIG. 8 is a front elevational view thereof; FIG. 9 is a bottom view thereof; FIG. 10 is a rear elevational view thereof; and FIG. 11 is a right side elevational view thereof, the left hand elevational view being identical.

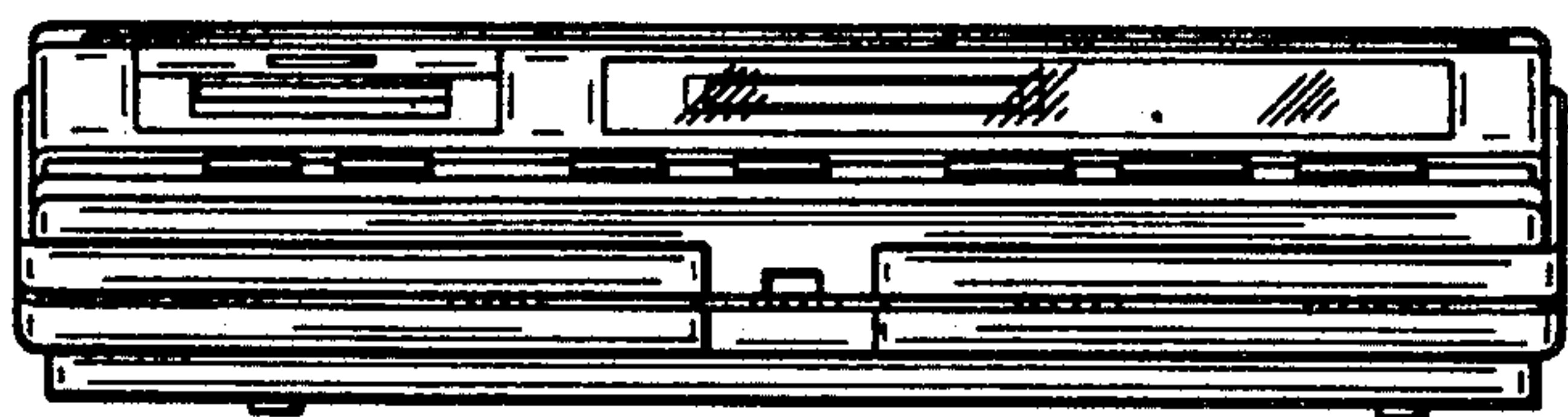




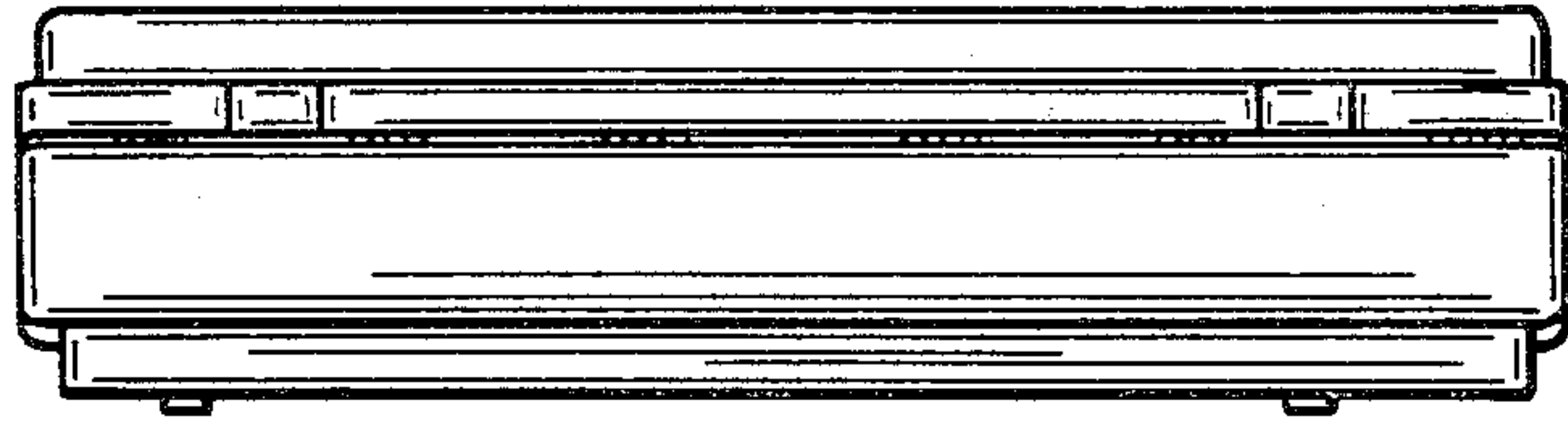
FIG_1



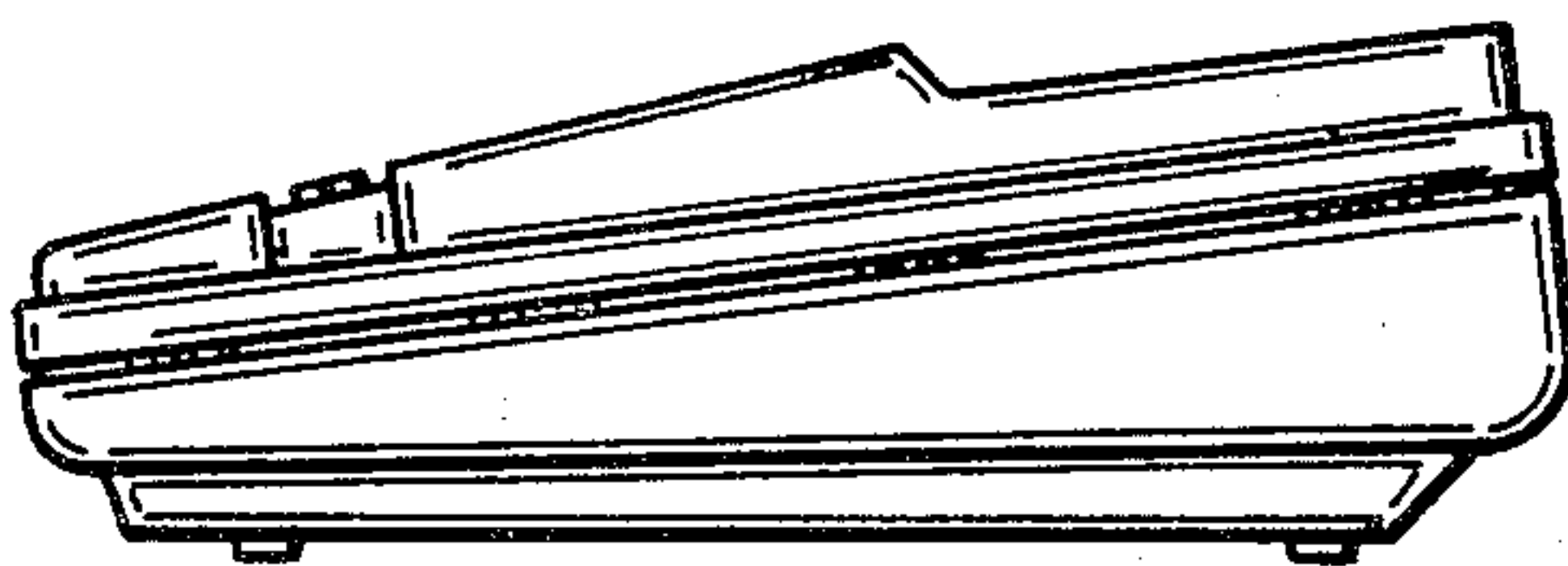
FIG_2



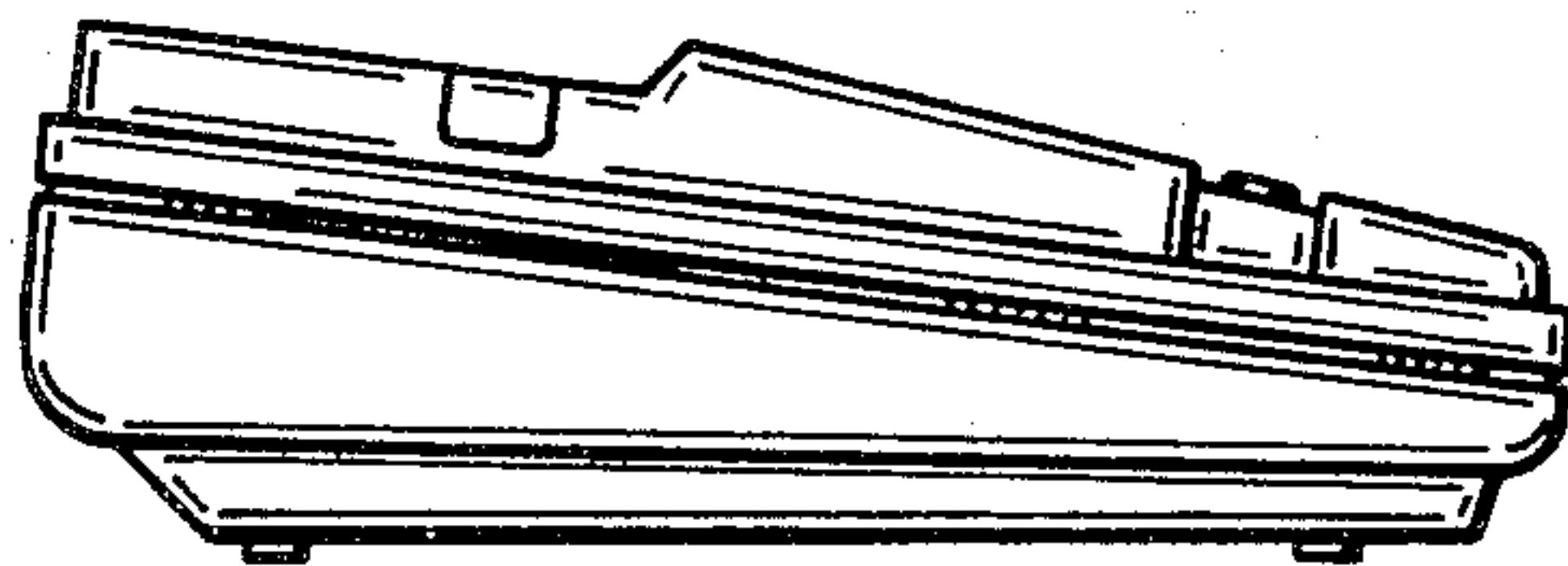
FIG_3



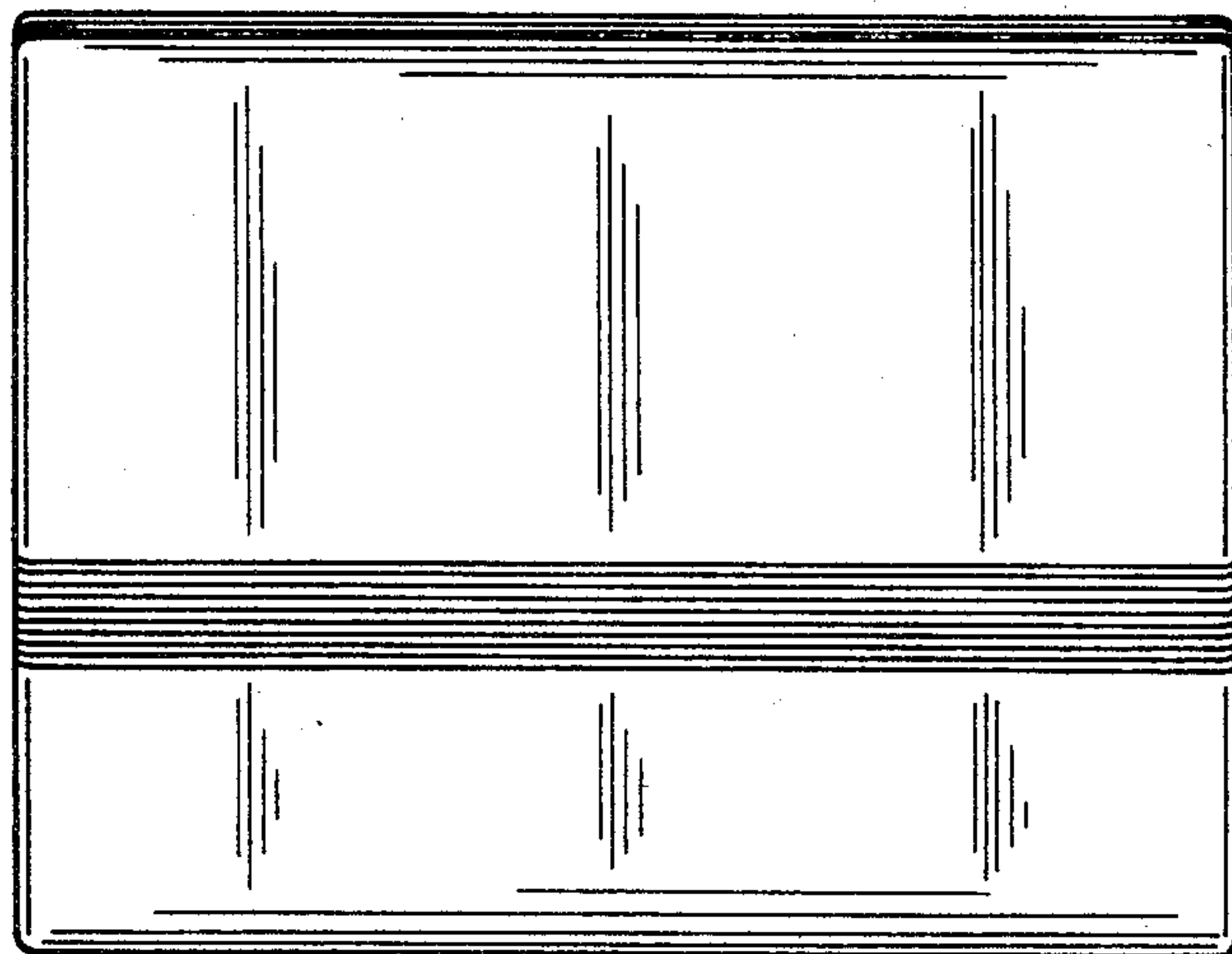
FIG_4



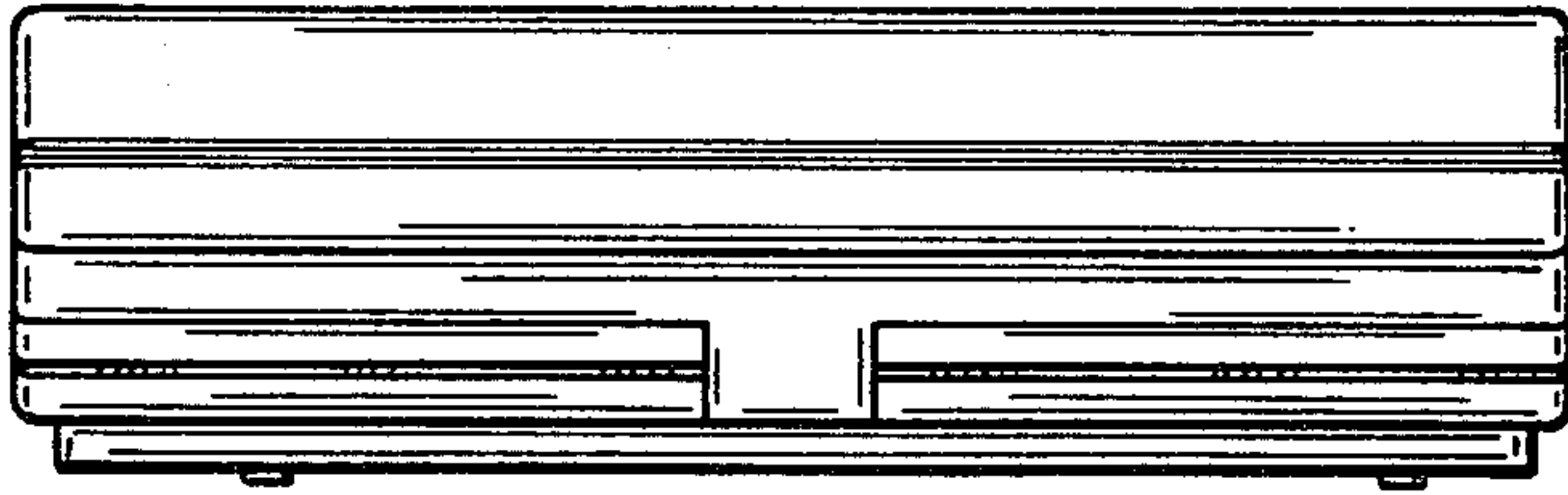
FIG_5



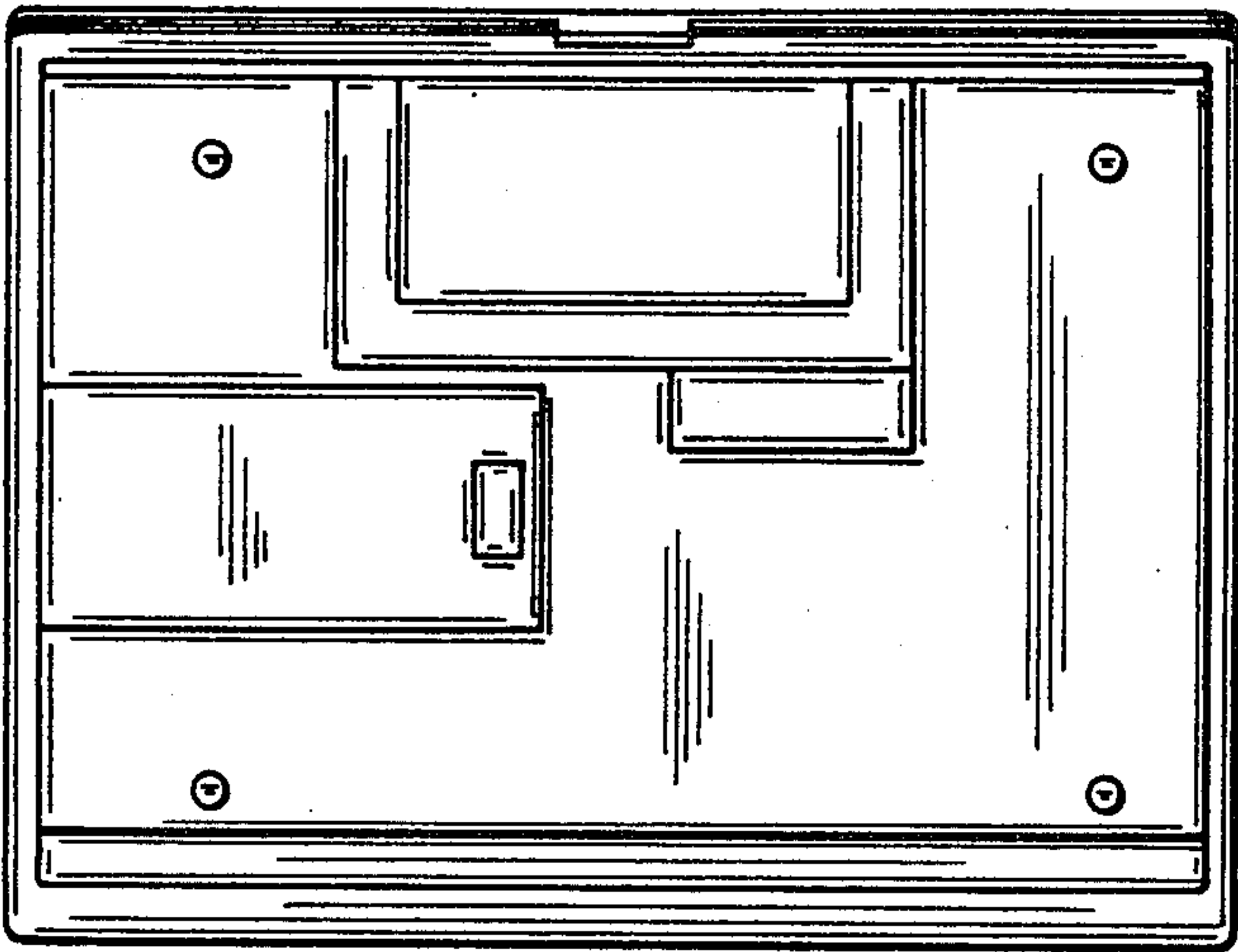
FIG_6



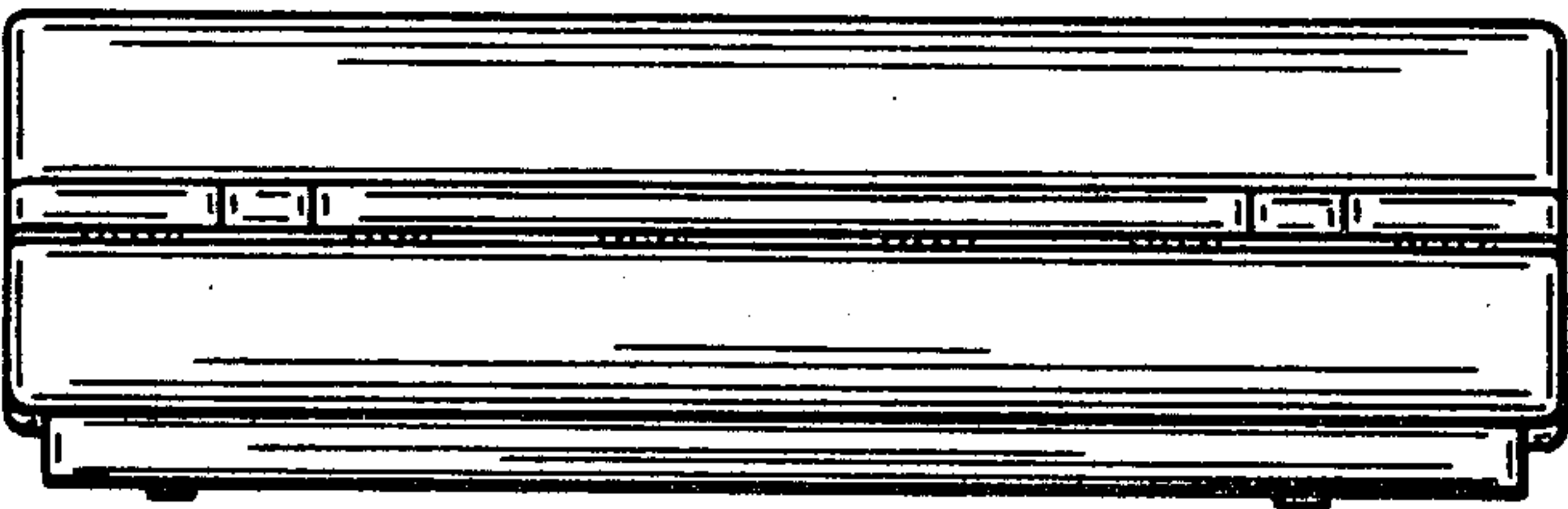
FIG_7



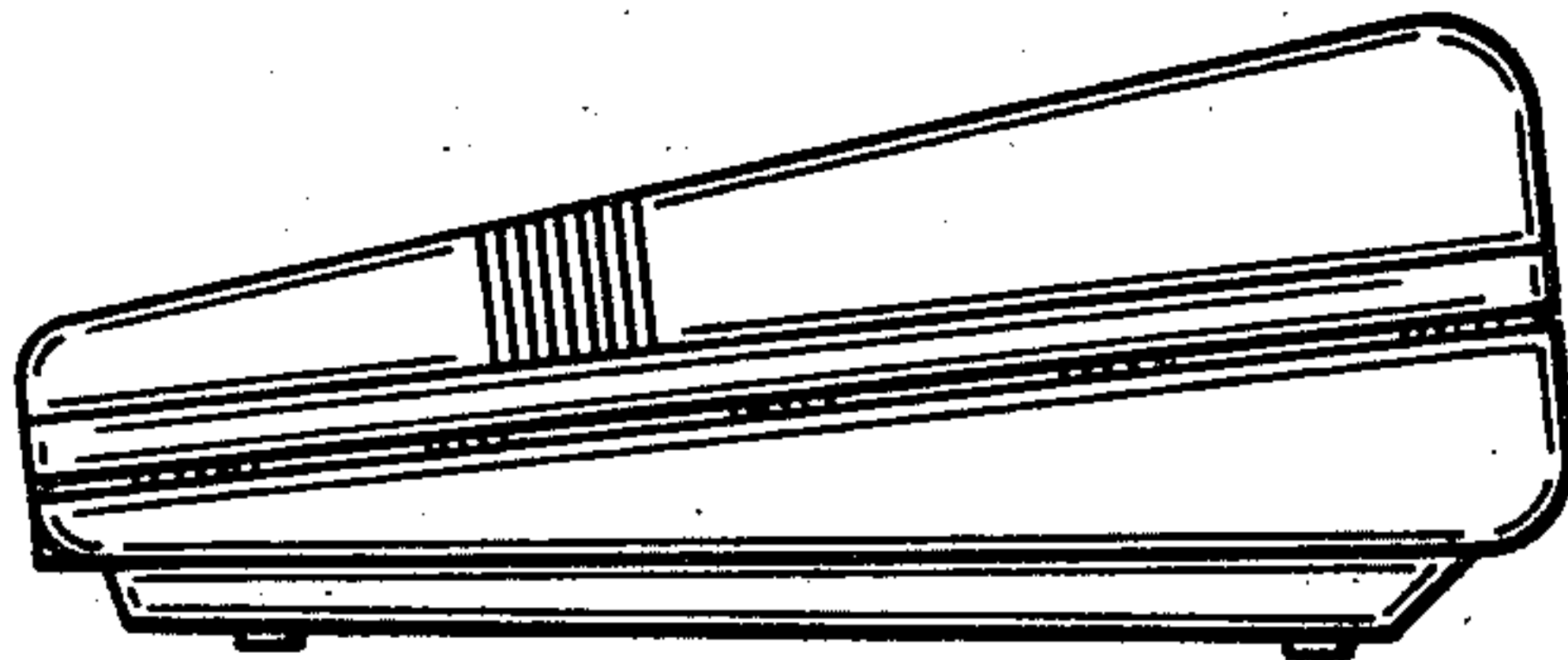
FIG_8



FIG_9



FIG_10



FIG_11