

[54] FAN MOUNT

[76] Inventor: Robert Tomlinson, 28813 Farmersville Blvd., Farmersville, Calif. 93223

[**] Term: 14 Years

[21] Appl. No.: 529,228

[22] Filed: Sep. 6, 1983

[52] U.S. Cl. D23/163; D13/2; 123/41.65

[58] Field of Search D15/5; D23/163-165; 74/578.2; 123/41.65, 41.66, 41.7; 310/237, 238-239; 165/185

[56] References Cited

U.S. PATENT DOCUMENTS

- D. 132,856 6/1942 Heintz D13/2
- D. 191,706 11/1961 Jaeschke D13/1
- D. 245,499 8/1977 Andrews D13/1
- D. 246,901 1/1978 Duty, Jr. D15/5
- 3,252,449 5/1966 Couchman, Jr. et al. 123/41.65

OTHER PUBLICATIONS

J.C. Whitney & Co. Catalogue (Jun. 82) "Fan Clutch Assembly", p. 223.
Parts List, *Volkswagen Service & Spare Parts*, pp. 1-46 through 1-49, item 23.
Volkswagen Official Service Manual Type 1, ©1979 Volkswagen of America, Inc., pp. 3, 4, 12, 17, 18.

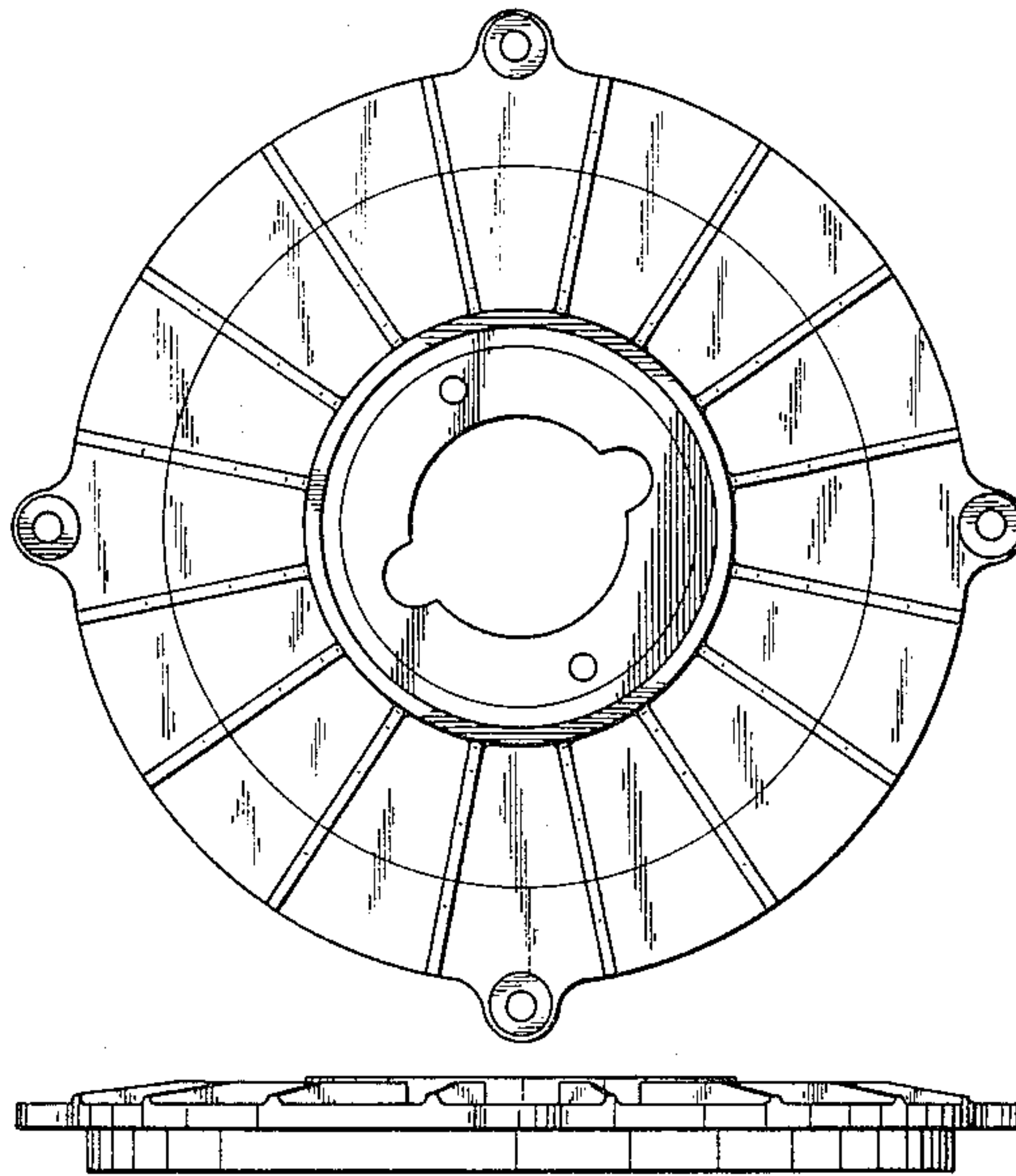
Primary Examiner—Wallace R. Burke
Assistant Examiner—Brian N. Vinson
Attorney, Agent, or Firm—Bruce & McCoy

[57] CLAIM

The ornamental design for a fan mount, as shown and described.

DESCRIPTION

FIG. 1 is a top plan view of a fan mount showing my new design;
FIG. 2 is a side elevation thereof, the opposite side being identical; and
FIG. 3 is a bottom plan view thereof.



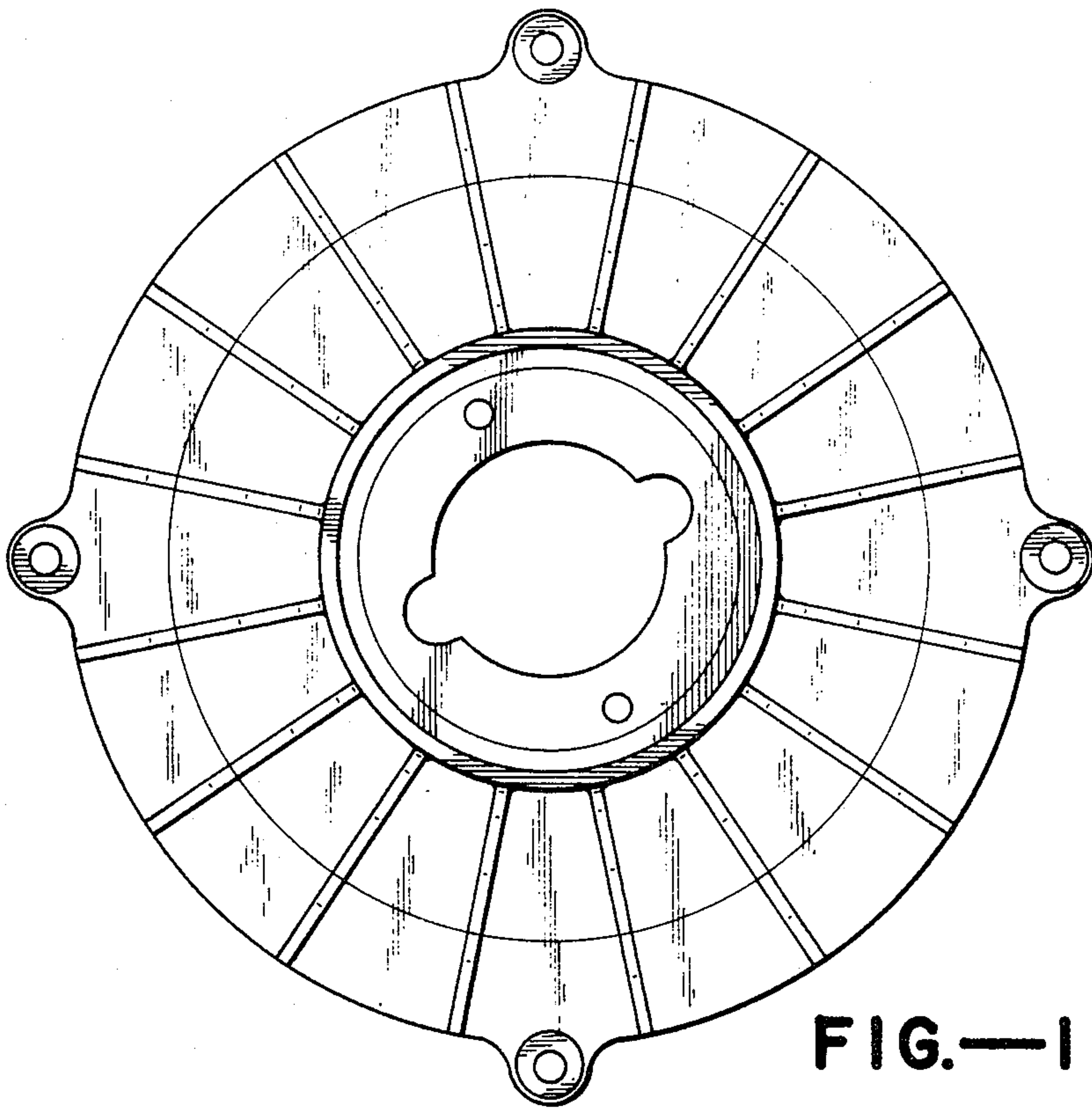


FIG.—1



FIG.—2

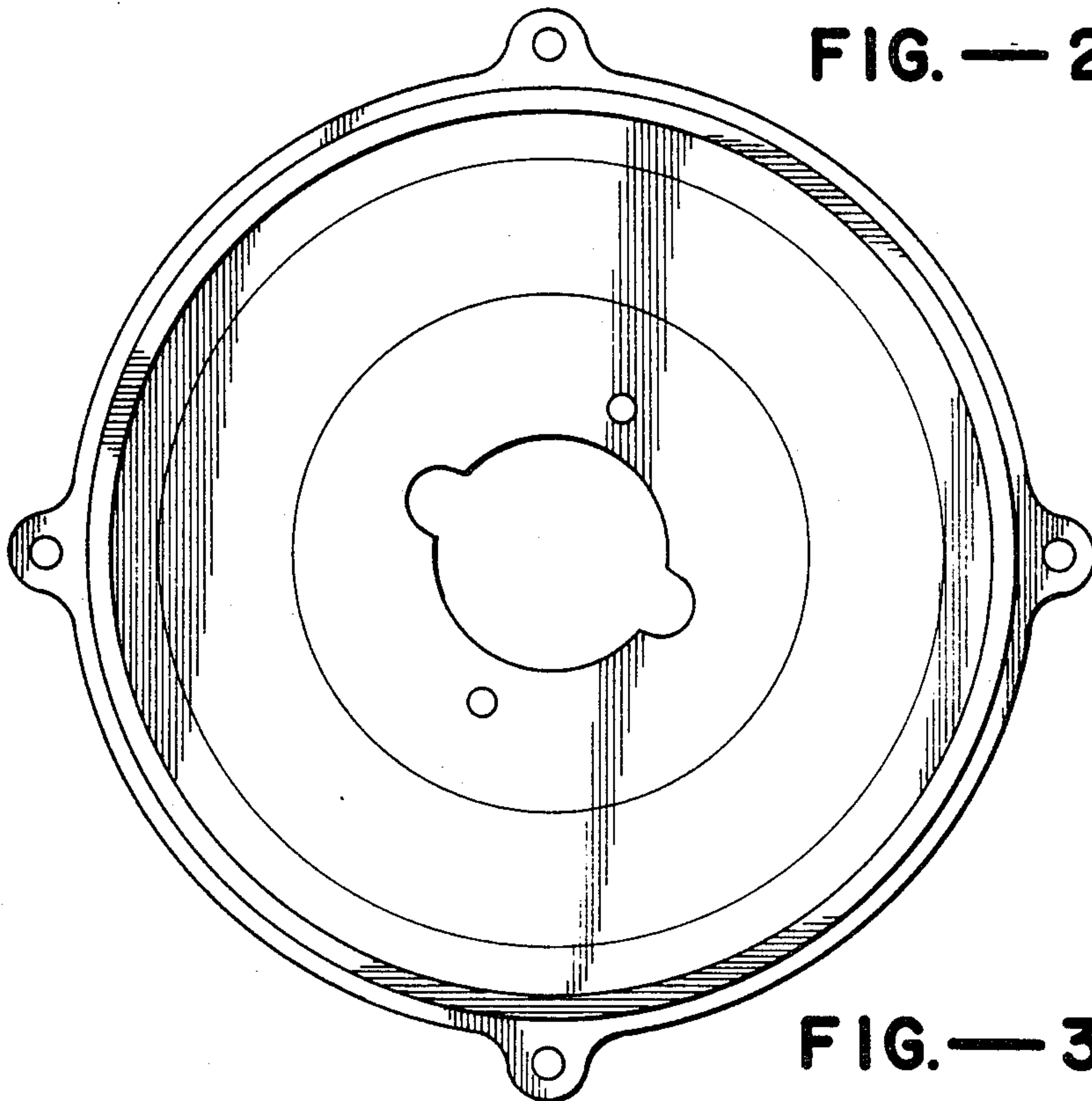


FIG.—3