

[54] DOWNRIGGER

[75] Inventor: Blayney J. Scott, Victoria, Canada

[73] Assignee: Scott Plastics Ltd., Victoria, Canada

[**] Term: 14 Years

[21] Appl. No.: 545,184

[22] Filed: Oct. 25, 1983

[30] Foreign Application Priority Data

Sep. 29, 1983 [CA] Canada 29-09-83-2

[52] U.S. Cl. D22/26

[58] Field of Search 242/84.2 B, 84.5 R;
43/20, 22, 27.4; D22/22, 23, 25, 26

[56] References Cited

U.S. PATENT DOCUMENTS

- D. 241,839 10/1976 Kammeraad D22/26
- D. 269,992 8/1983 King D22/26
- 3,961,437 6/1976 Lewis 43/27.4

- 4,014,127 3/1977 Turner 43/20 X
- 4,411,395 10/1983 Steffens 43/22 X
- 4,428,139 1/1984 Henze et al. 43/20

FOREIGN PATENT DOCUMENTS

- 2417255 10/1979 France 43/27.4

Primary Examiner—A. Hugo Word
Attorney, Agent, or Firm—Carver & Co.

[57] CLAIM

The ornamental design for a downrigger, substantially as shown and described.

DESCRIPTION

FIG. 1 is an elevation showing one side of the downrigger;
 FIG. 2 is an elevation showing a side opposite the one side of FIG. 1;
 FIG. 3 is a top plan thereof;
 FIG. 4 is a bottom plan thereof;
 FIG. 5 is a front view thereof; and
 FIG. 6 is a rear elevations thereof.

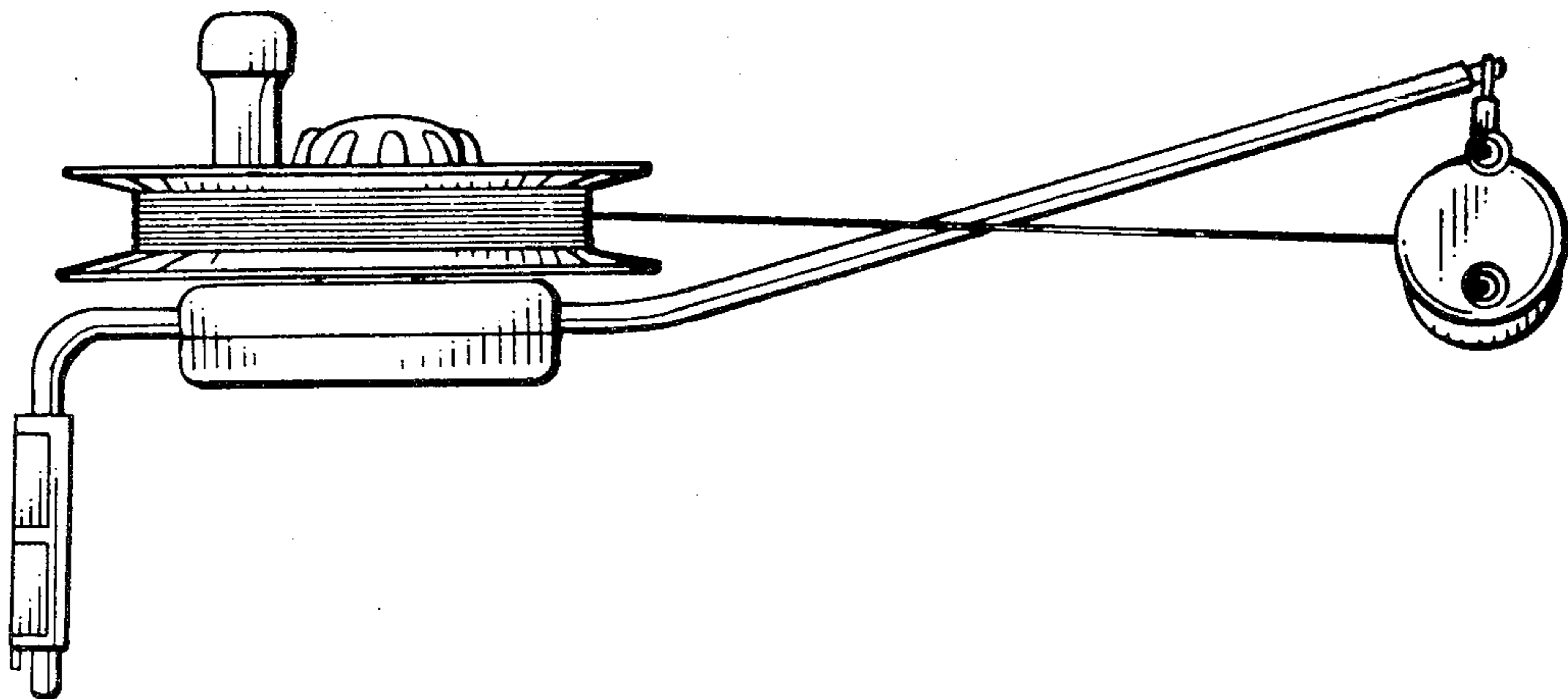


FIG 1

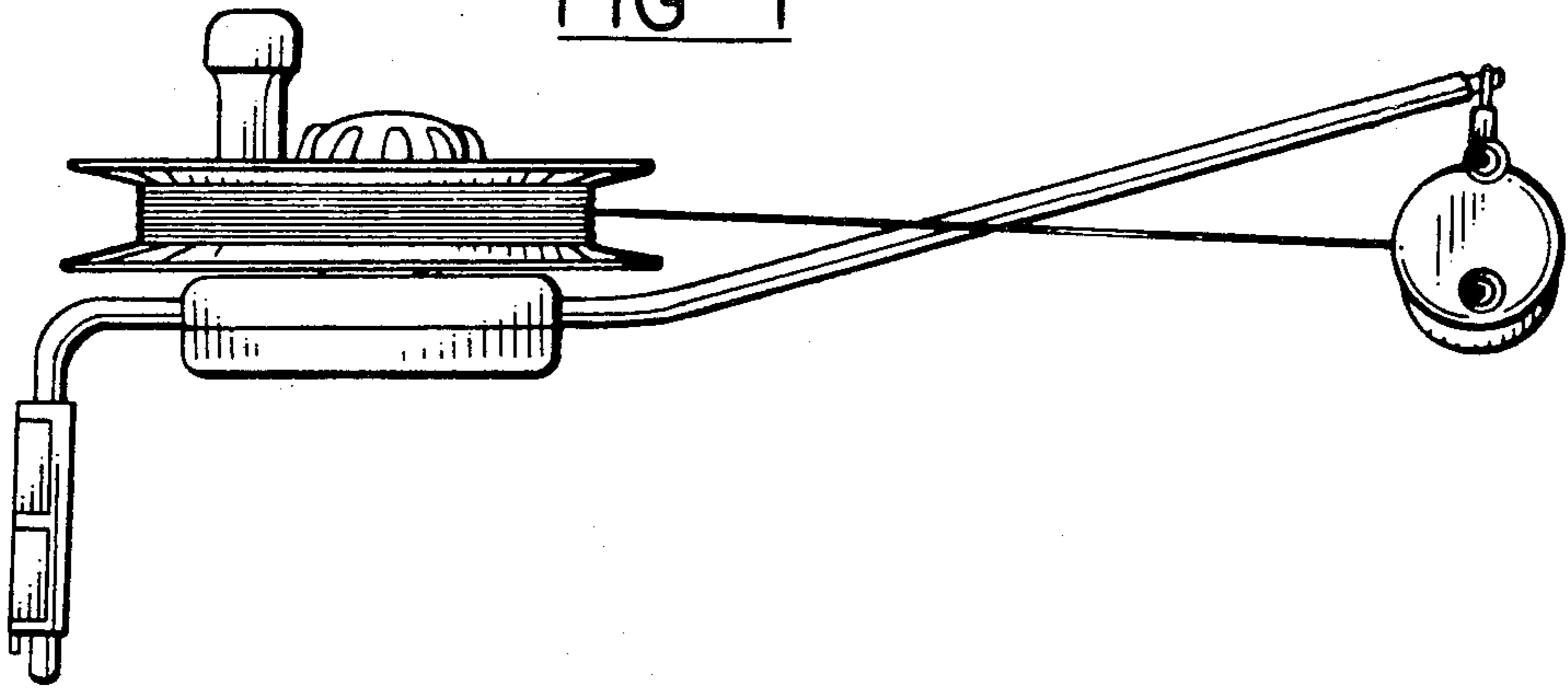
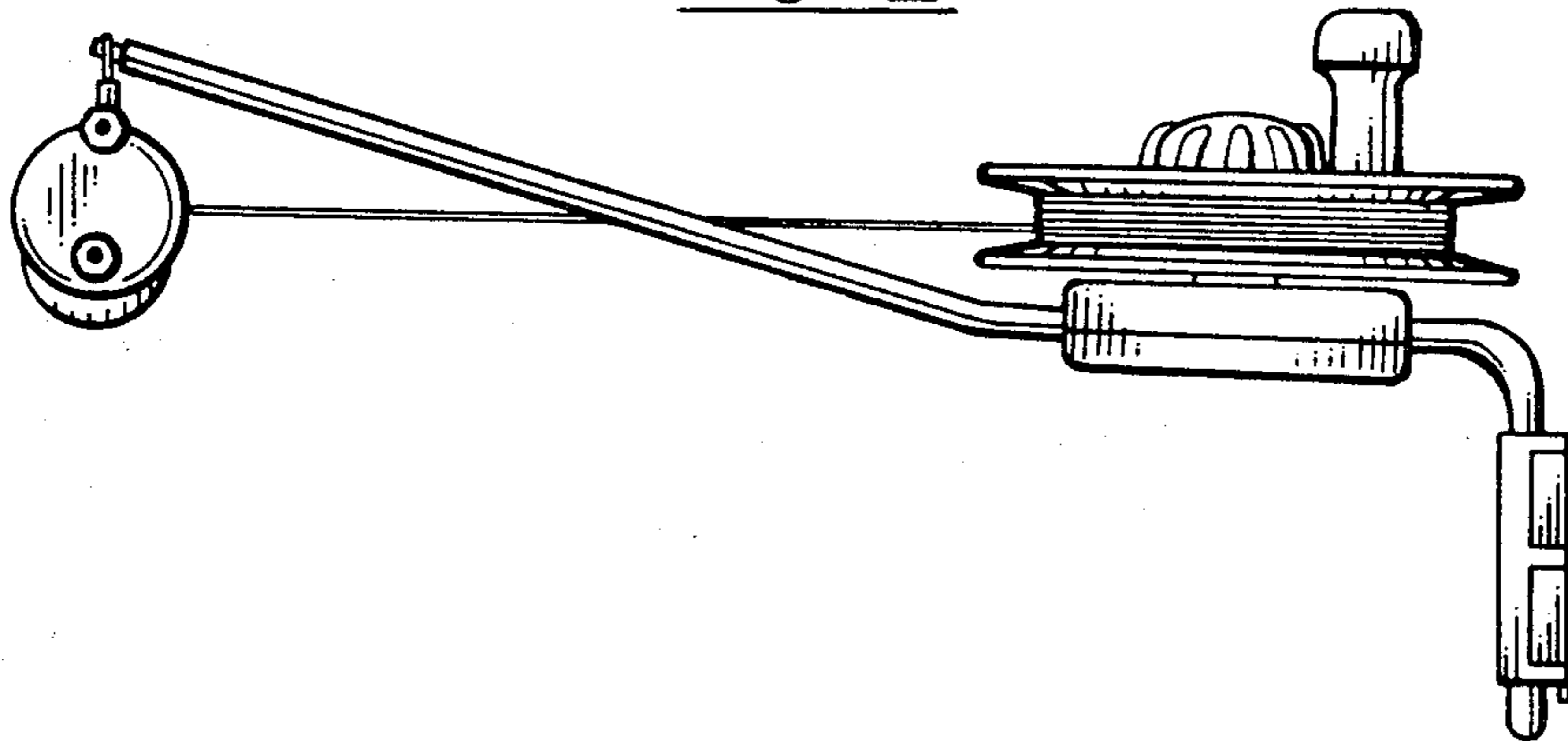


FIG 2



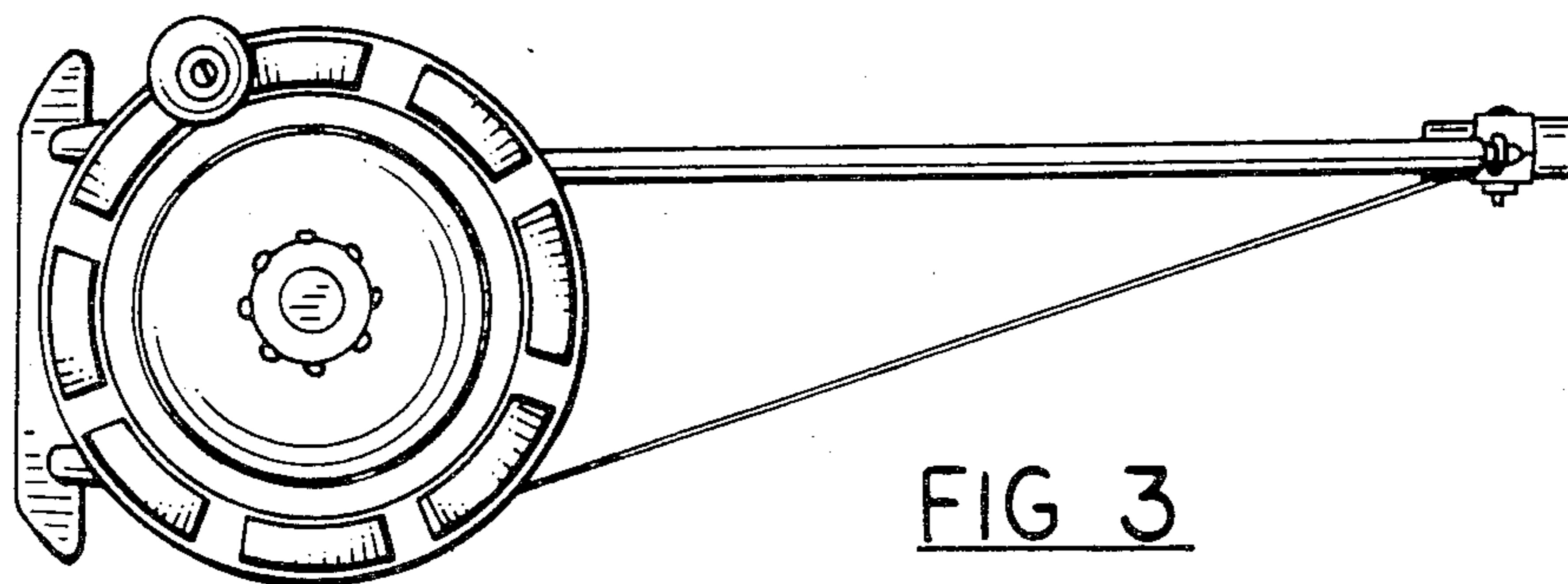


FIG 3

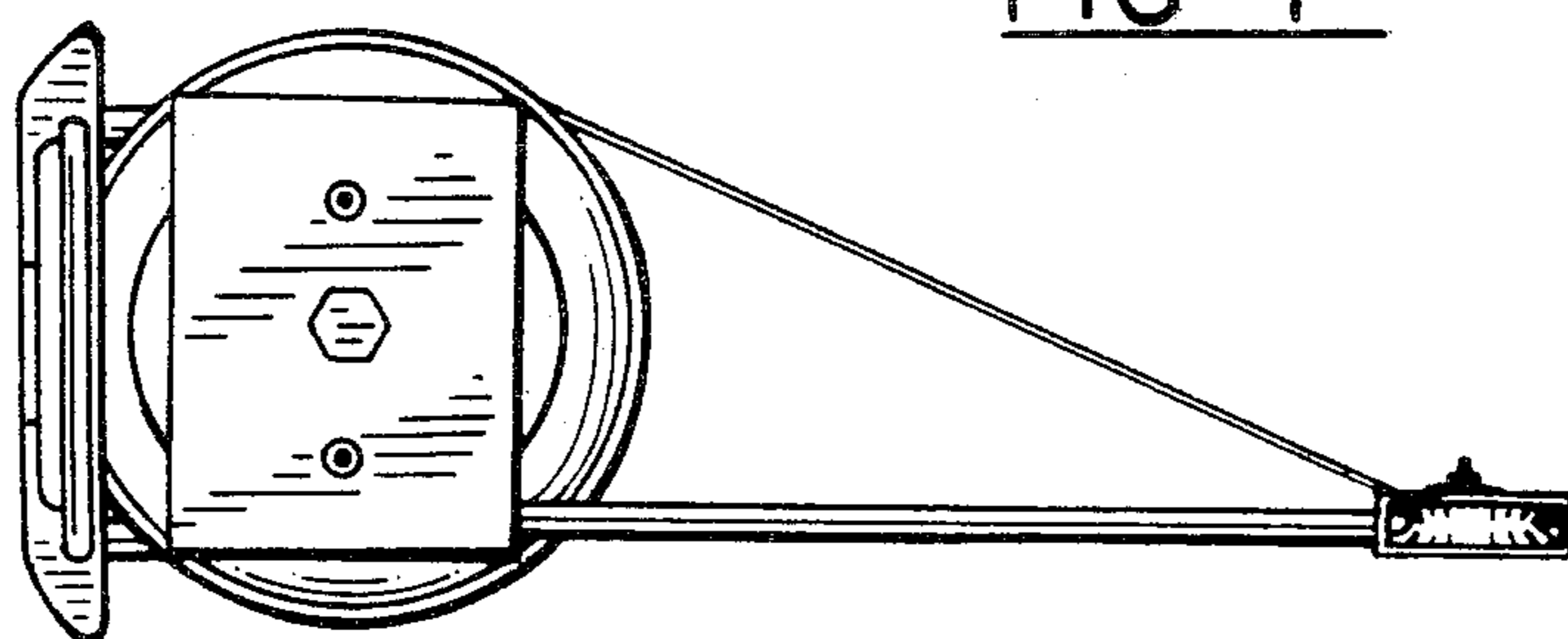


FIG 4

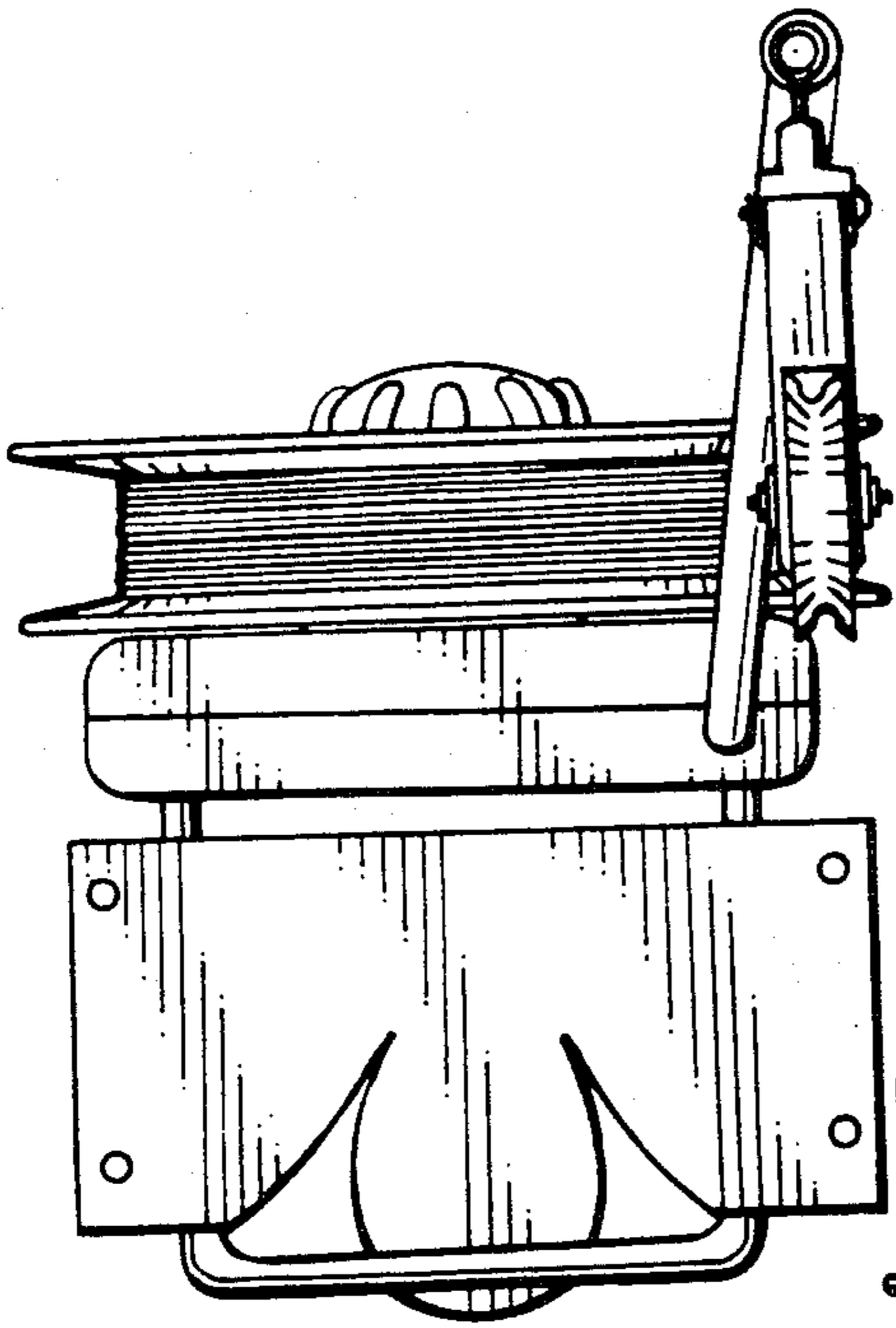


FIG 5

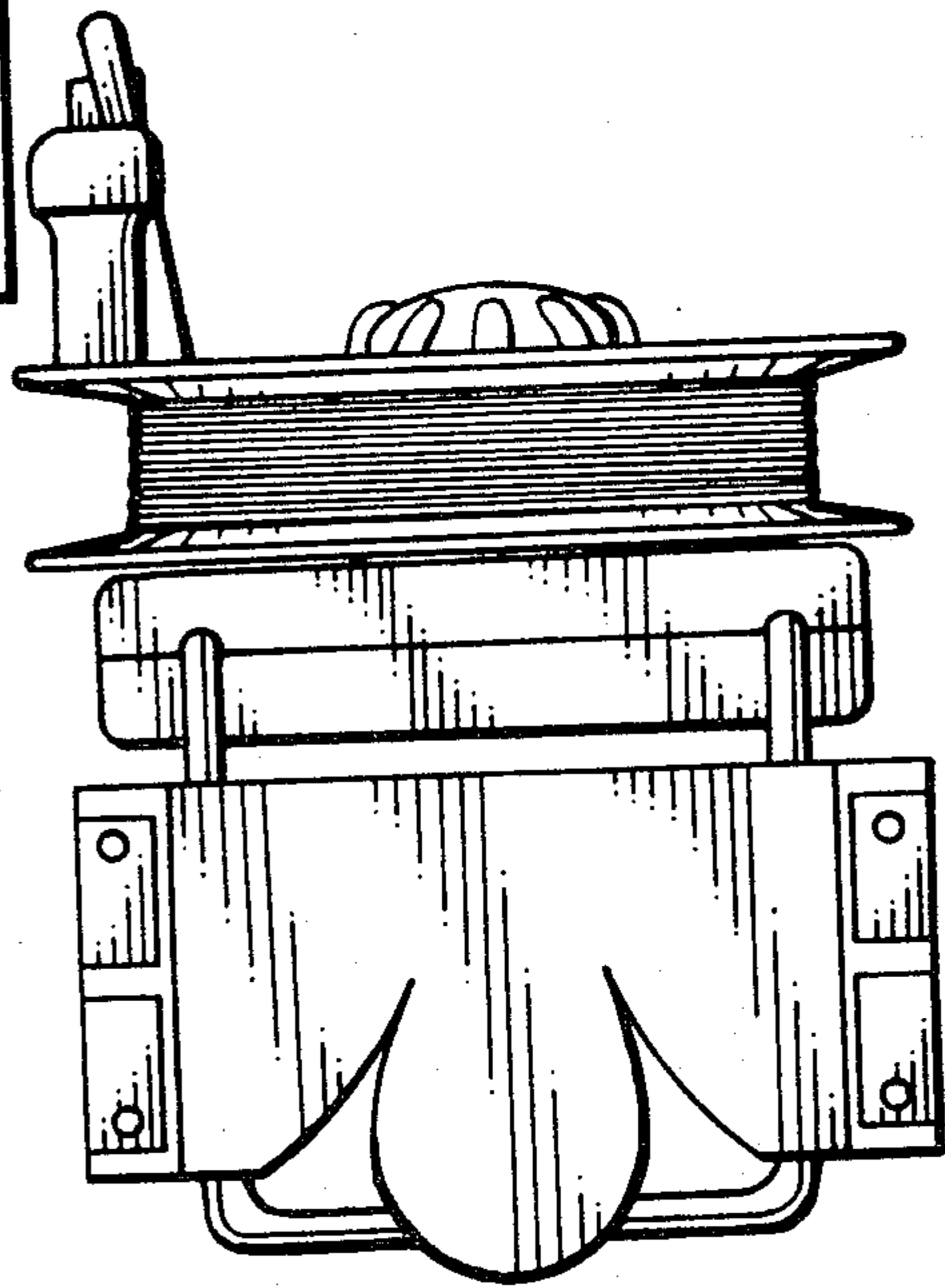


FIG 6