

[54] CIRCULAR SPACER INSERTER FOR STRINGED RACKETS

[76] Inventors: Gerold Anderka, Holsteiner Chaussee 439, 2087 Ellerbek; Walter Jozat, An der Hudau 2, 2357 Bad Bramstedt, both of Fed. Rep. of Germany

[\*\*] Term: 14 Years

[21] Appl. No.: 626,181

[22] Filed: Jun. 29, 1984

[30] Foreign Application Priority Data

Feb. 14, 1984 [DE] Fed. Rep. of Germany ... 67 MR 196
[52] U.S. Cl. .... D21/212; 273/73 D
[58] Field of Search ..... D21/212, 221; 273/73 D, 273/73 R; D9/339, 341

[56] References Cited

U.S. PATENT DOCUMENTS

- D. 170,899 11/1953 Whitehead et al. .... D58/26
D. 186,465 10/1959 Tregilgas ..... D9/339
D. 273,805 5/1984 Filhol ..... D9/341
3,101,477 8/1963 Leniz ..... 1/46
3,308,989 3/1967 Alltop et al. .... 221/232
3,393,831 7/1968 Stewart ..... 221/232

- 4,368,886 1/1983 Graf ..... 273/73 D
4,474,308 11/1984 Bergeron ..... 221/24

FOREIGN PATENT DOCUMENTS

- 640448 3/1928 France ..... 273/73 D
24856 of 1913 United Kingdom ..... 273/73 D

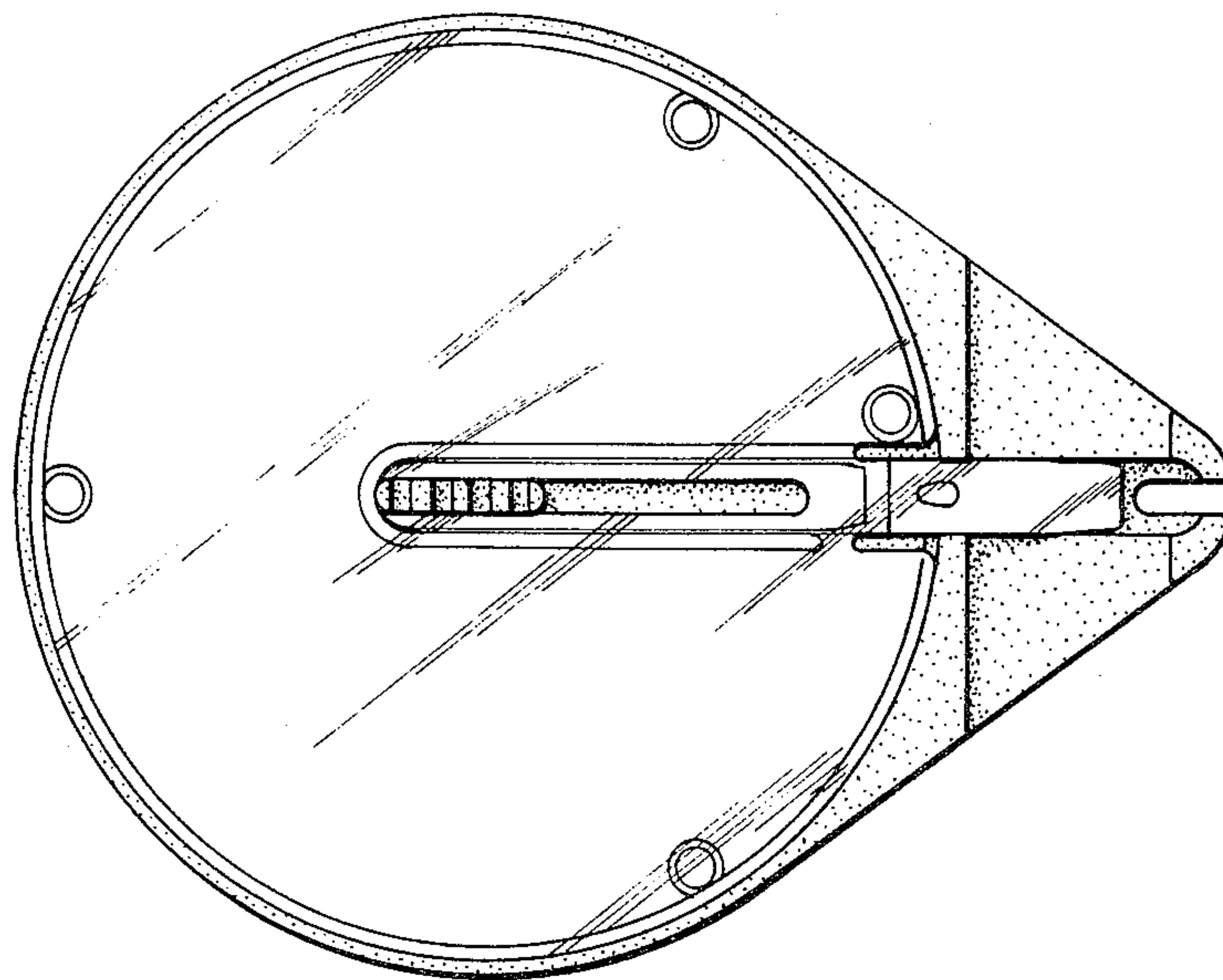
Primary Examiner—Melvin B. Feifer
Attorney, Agent, or Firm—Warren E. Olsen; David H. Semmes

[57] CLAIM

The ornamental design for a circular spacer inserter for stringed rackets, as shown and described.

DESCRIPTION

FIG. 1 is a top plan view of a circular spacer inserted for stringed rackets, showing our new design;
FIG. 2 is a right side elevation view, for which the left side is a mirror image;
FIG. 3 is a bottom plan view;
FIG. 4 is a front elevation view;
FIG. 5 is a rear elevation view;
FIG. 6 is a top plan view, as in FIG. 1, showing the appearance when circular spacers are handled, according to an intended use wherein the environmental feature of spacers is shown by dotted lines.



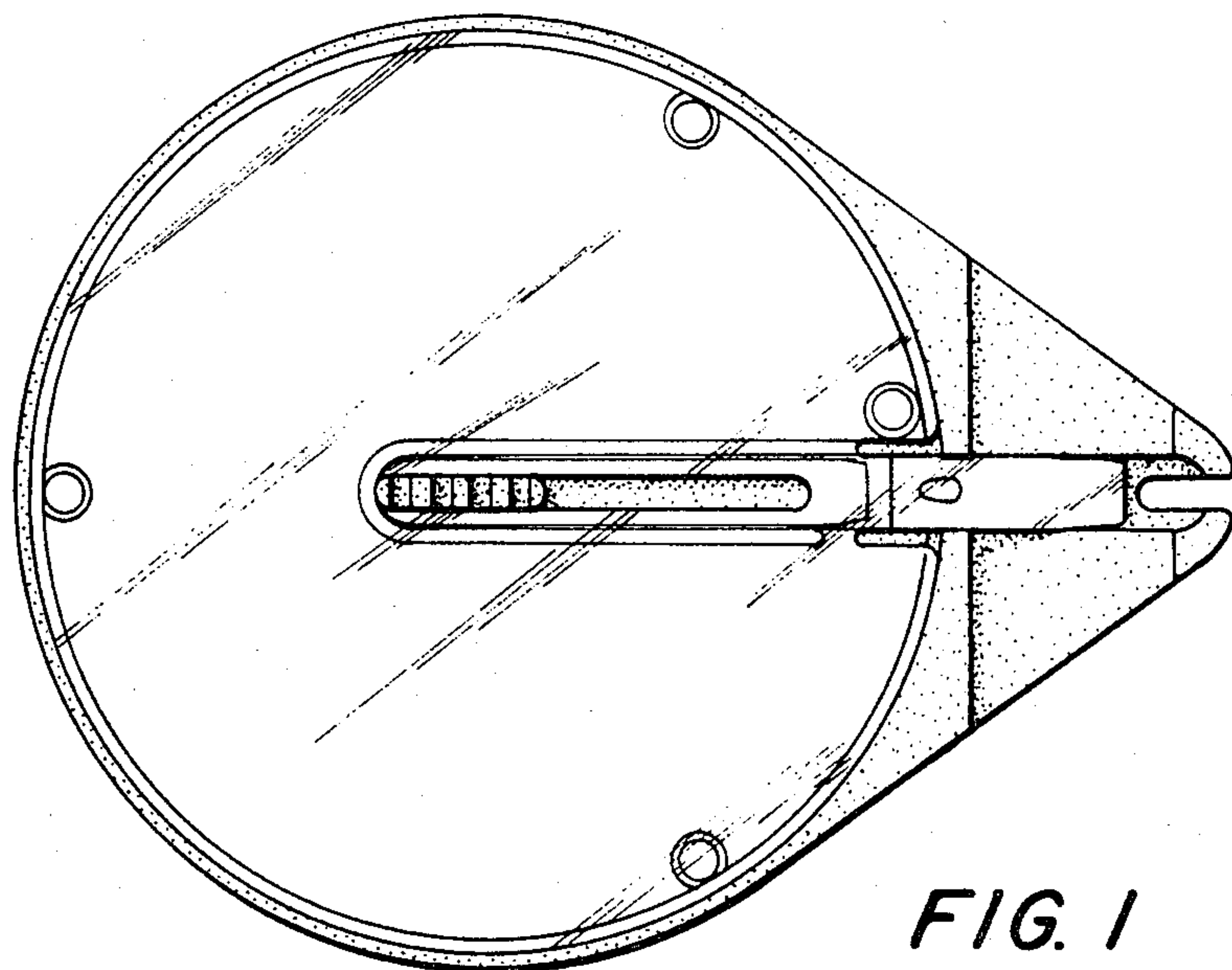


FIG. 1

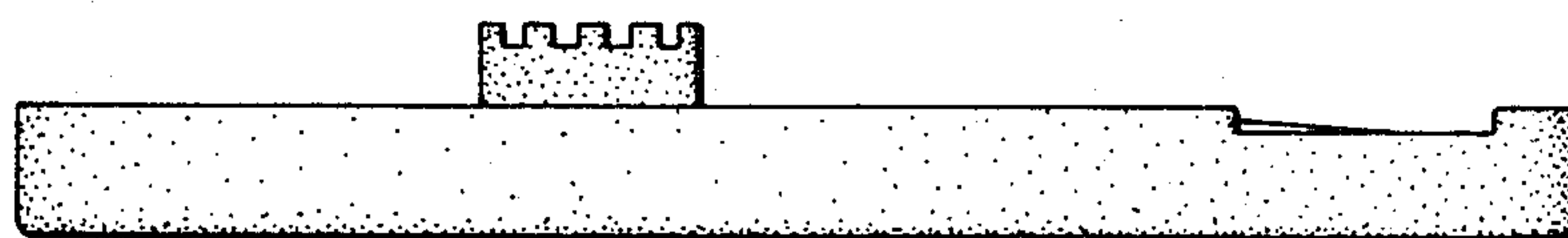


FIG. 2

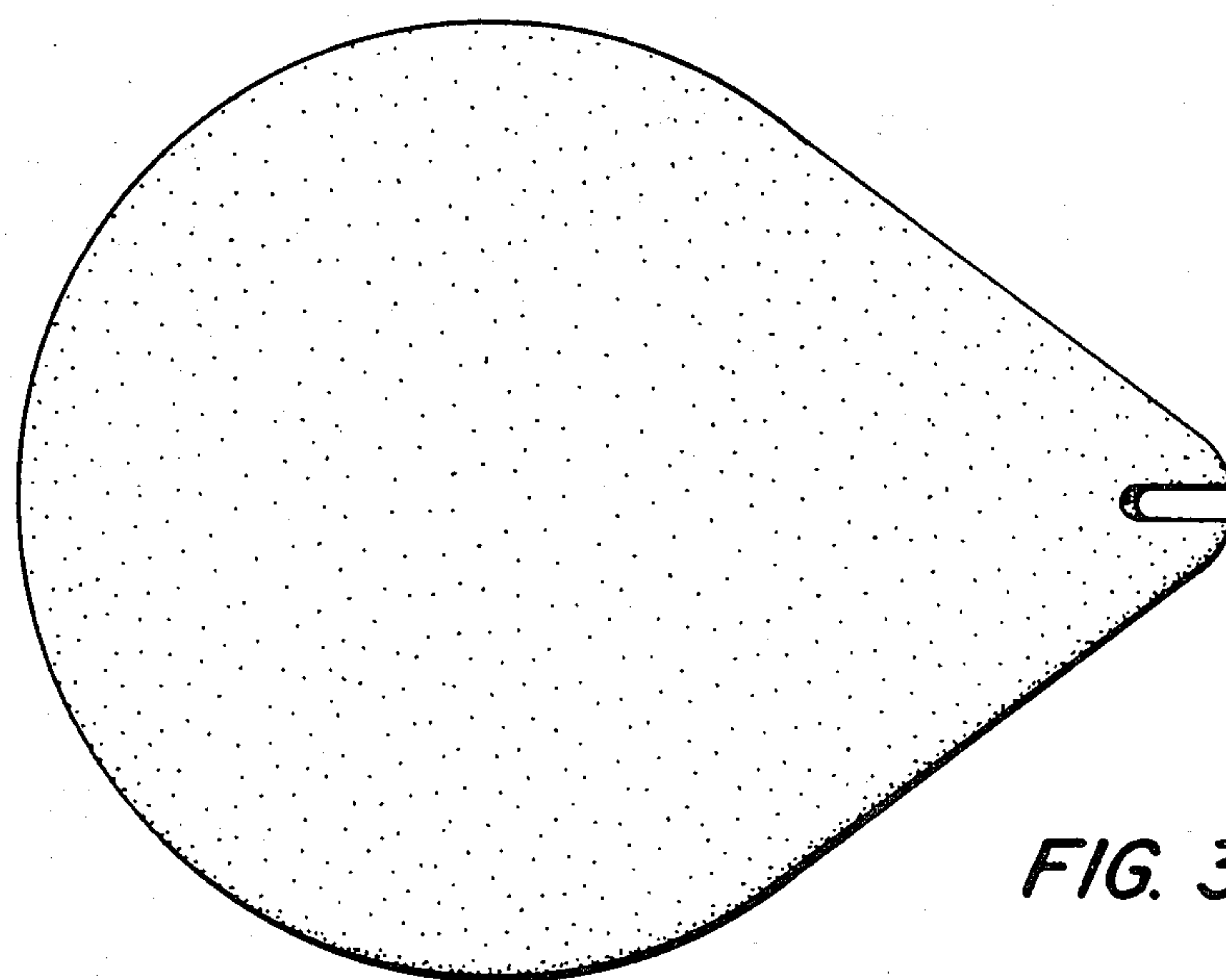


FIG. 3

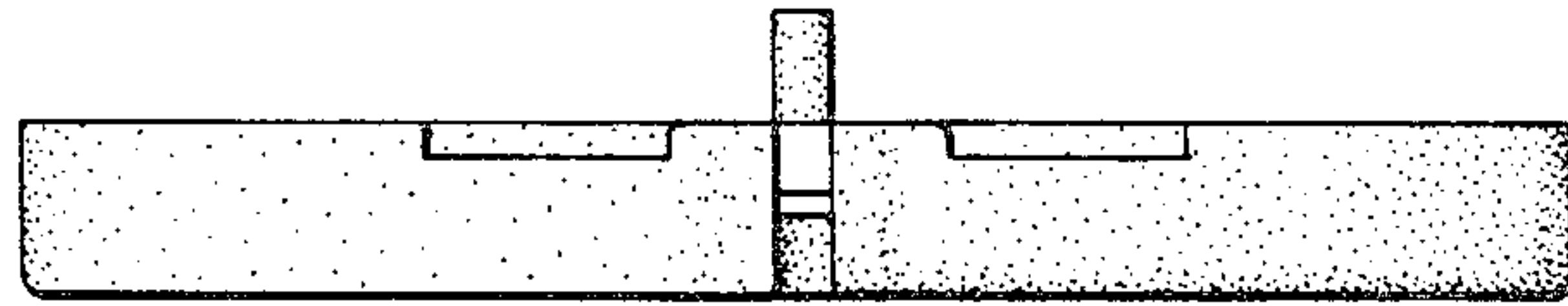


FIG. 4

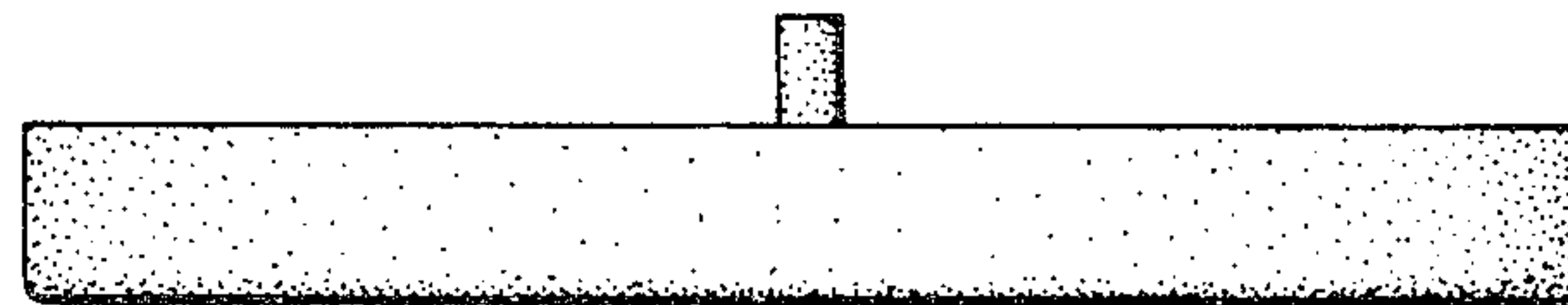


FIG. 5

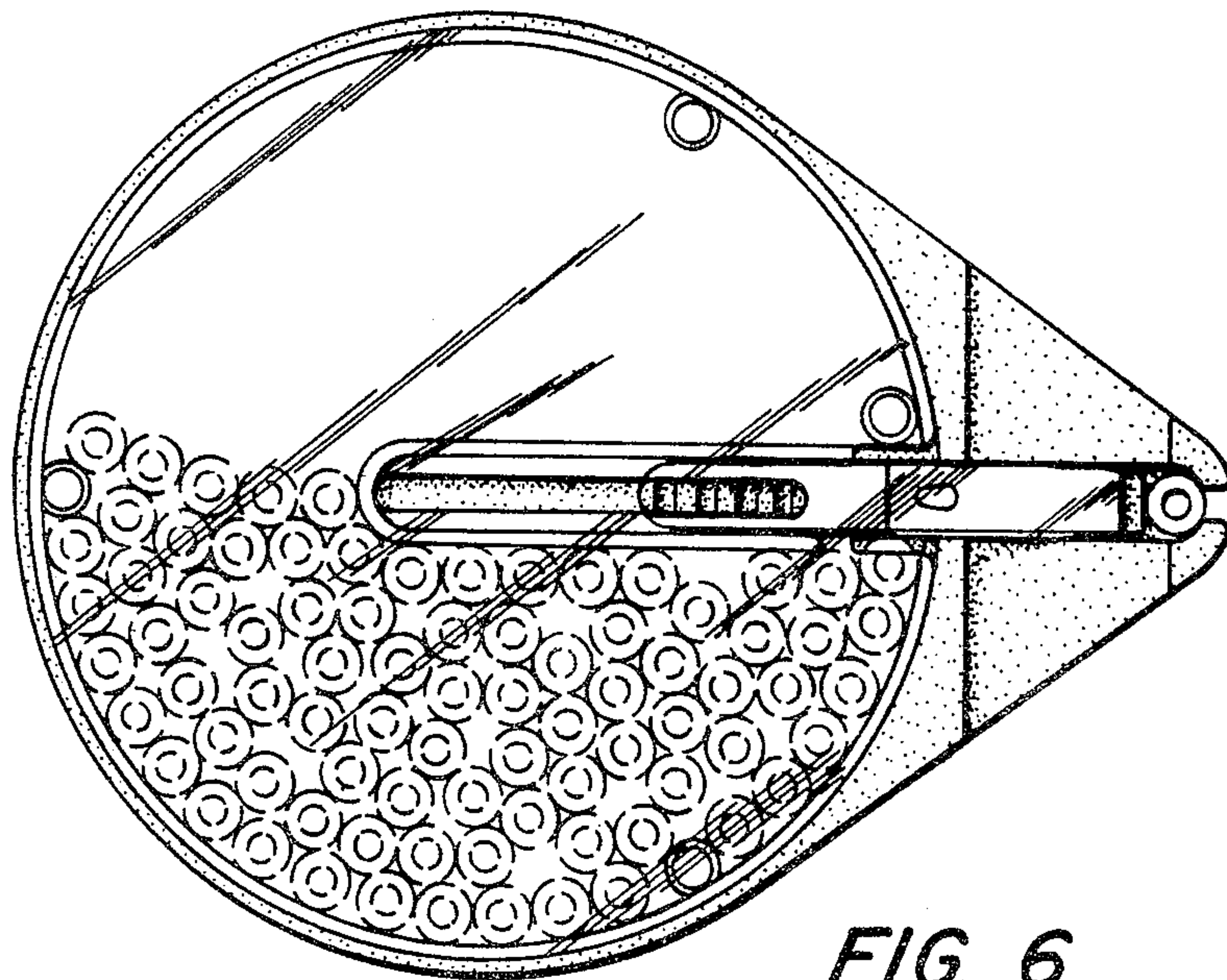


FIG. 6