

[54] CLOSED PORTABLE CARD FILE

[75] Inventor: Albrecht Goertz, New York, N.Y.

[73] Assignee: Rolodex Corporation, Secaucus, N.J.

[\*\*] Term: 14 Years

[21] Appl. No.: 550,962

[22] Filed: Nov. 10, 1983

[52] U.S. Cl. .... D19/76; D3/35; D3/72; D3/78

[58] Field of Search ..... D19/75, 76; D3/35, 78, D3/30.1, 72; D9/420; 206/425; 40/380, 383, 404; D14/6

[56] References Cited

U.S. PATENT DOCUMENTS

- D. 212,794 11/1968 Dilyard ..... D3/35
- D. 243,526 3/1977 Overman ..... D3/78
- D. 262,752 1/1982 Pedicalli et al. .... D3/35
- D. 268,379 3/1983 Dishell ..... D3/35

OTHER PUBLICATIONS

Office Products Dealer 4/80, p. 65, VIP-24C.

Primary Examiner—George P. Word

Attorney, Agent, or Firm—Robert E. Burns; Emmanuel J. Lobato; Bruce L. Adams

[57] CLAIM

The ornamental design for a closed portable card file, as shown and described.

DESCRIPTION

FIG. 1 is a perspective view of a closed portable card file showing my new design with the card file in closed condition and with a carrying handle in retracted position;

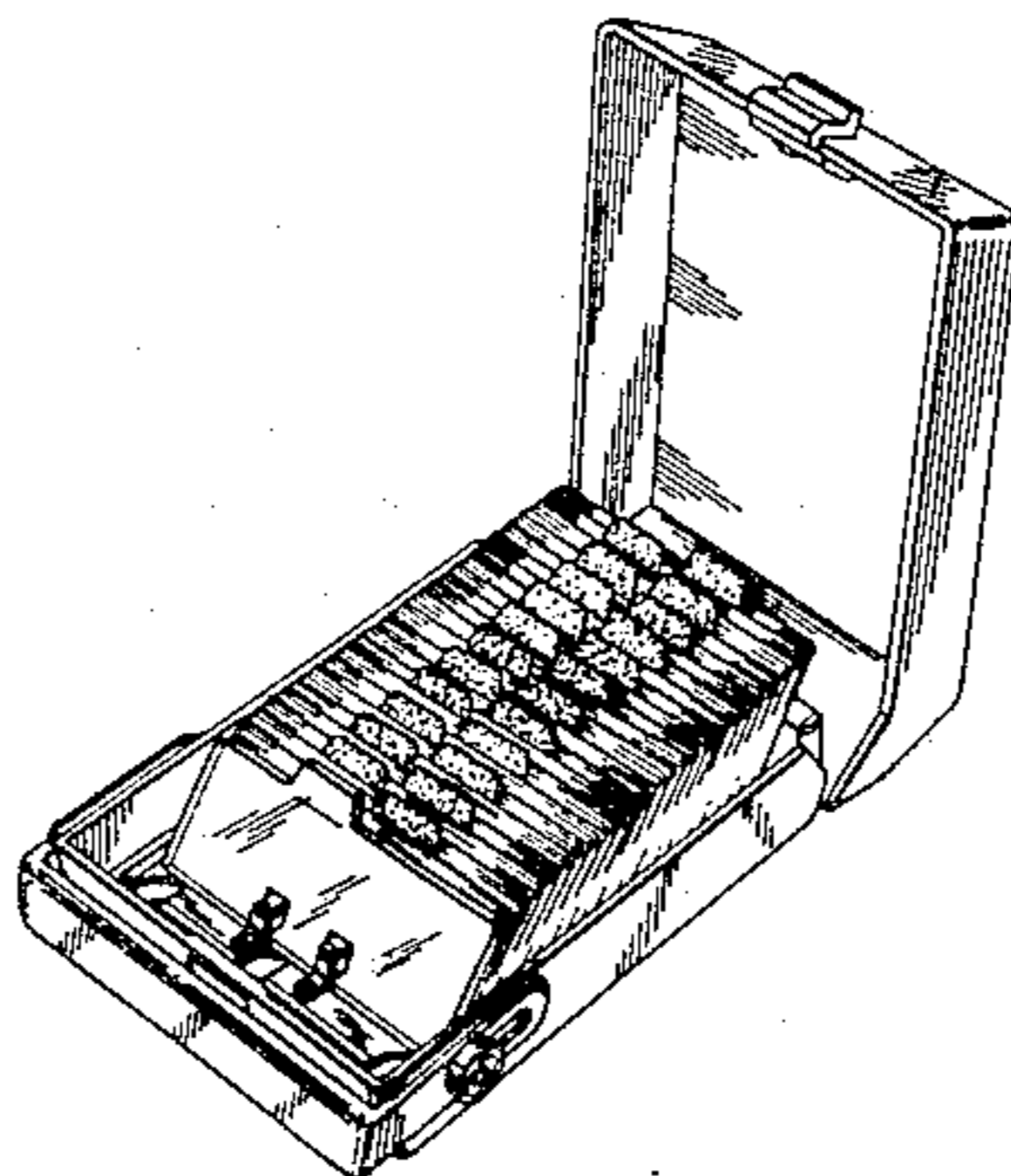
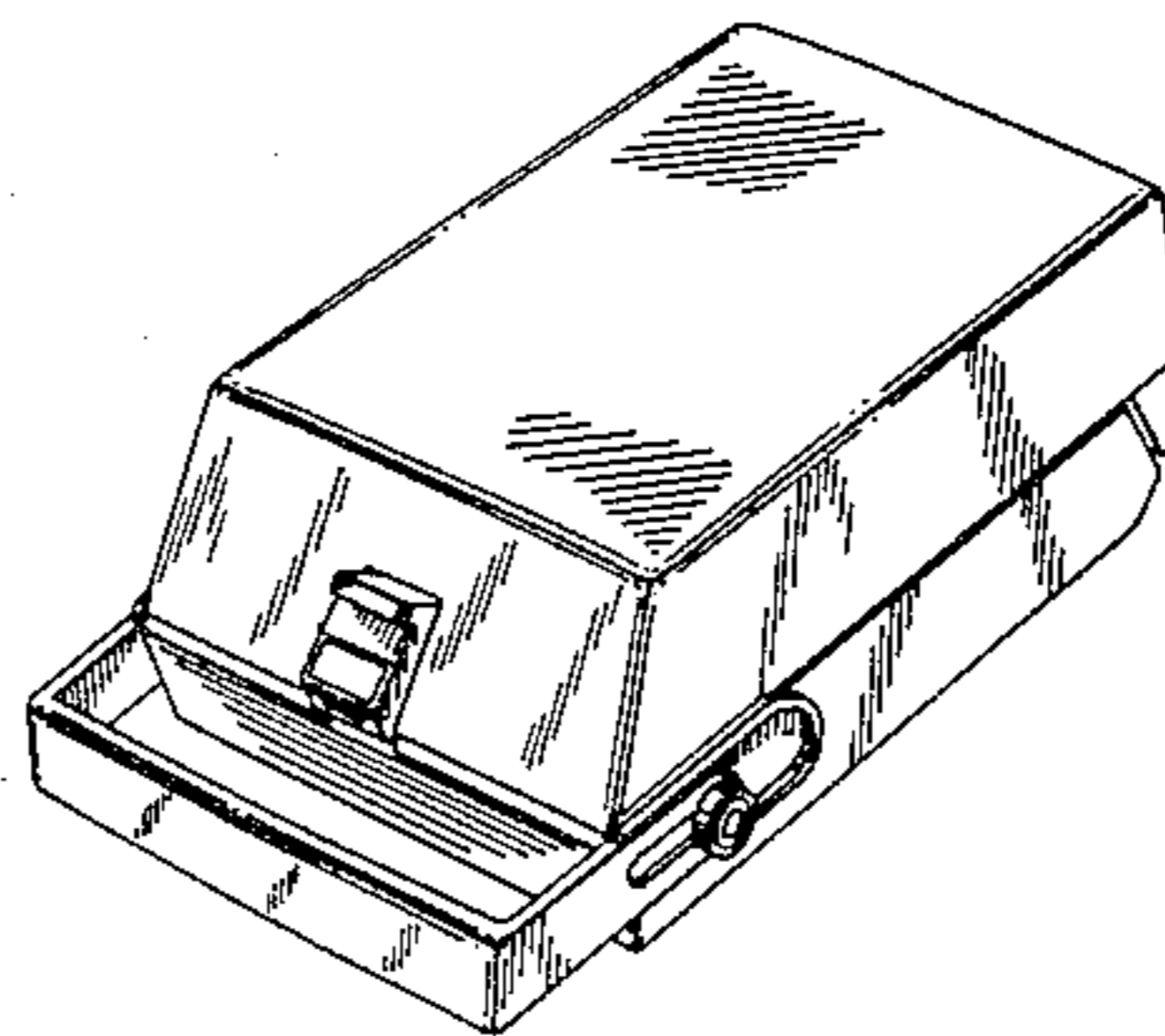
FIG. 2 is a perspective view thereof with the card file in closed condition and the carrying handle in extended position;

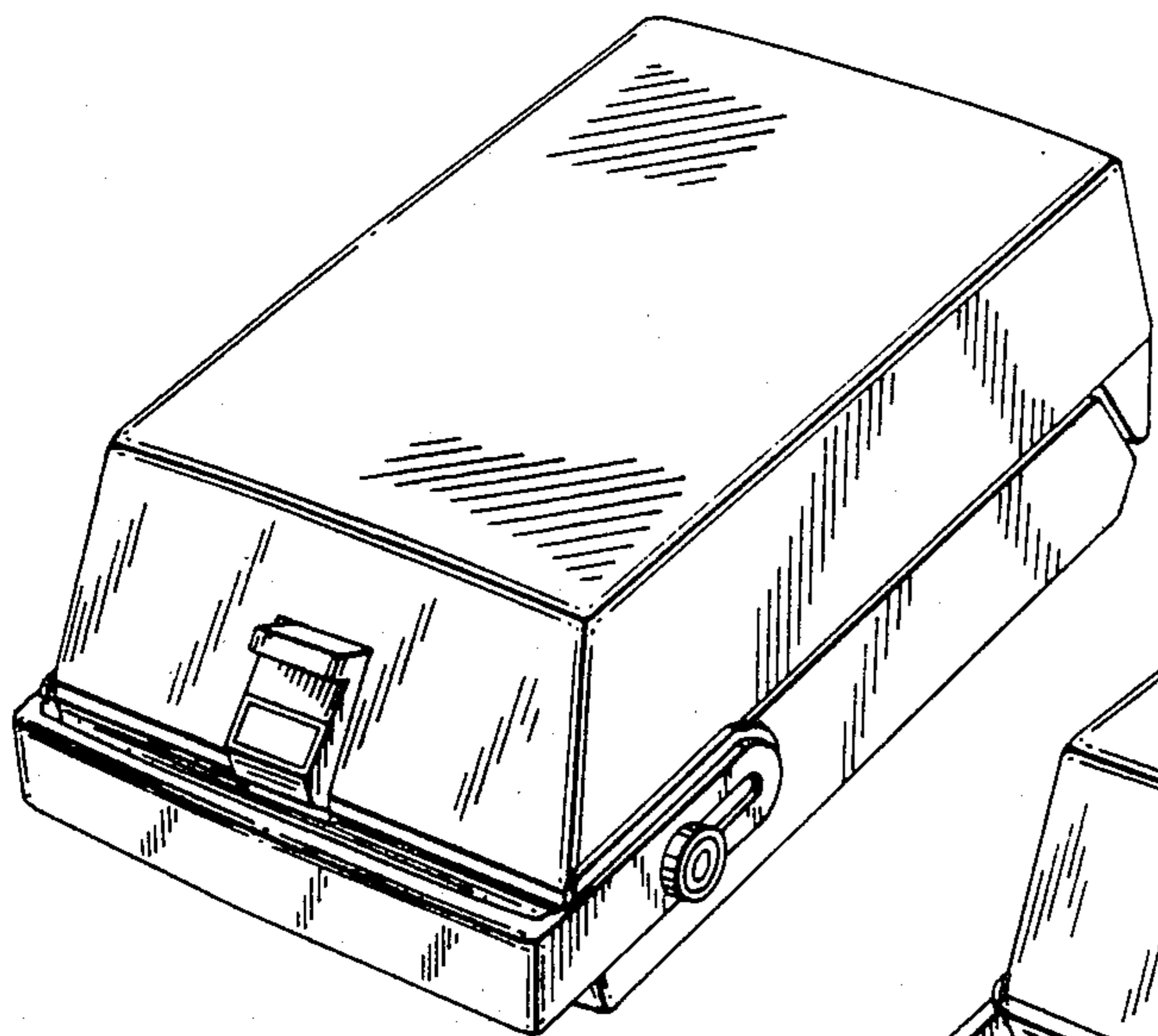
FIG. 3 is a perspective view thereof with the card file in open condition and the carrying handle in retracted position;

FIG. 4 is an enlarged scale right side elevational view thereof with the card file in closed condition and the carrying handle in extended position; and

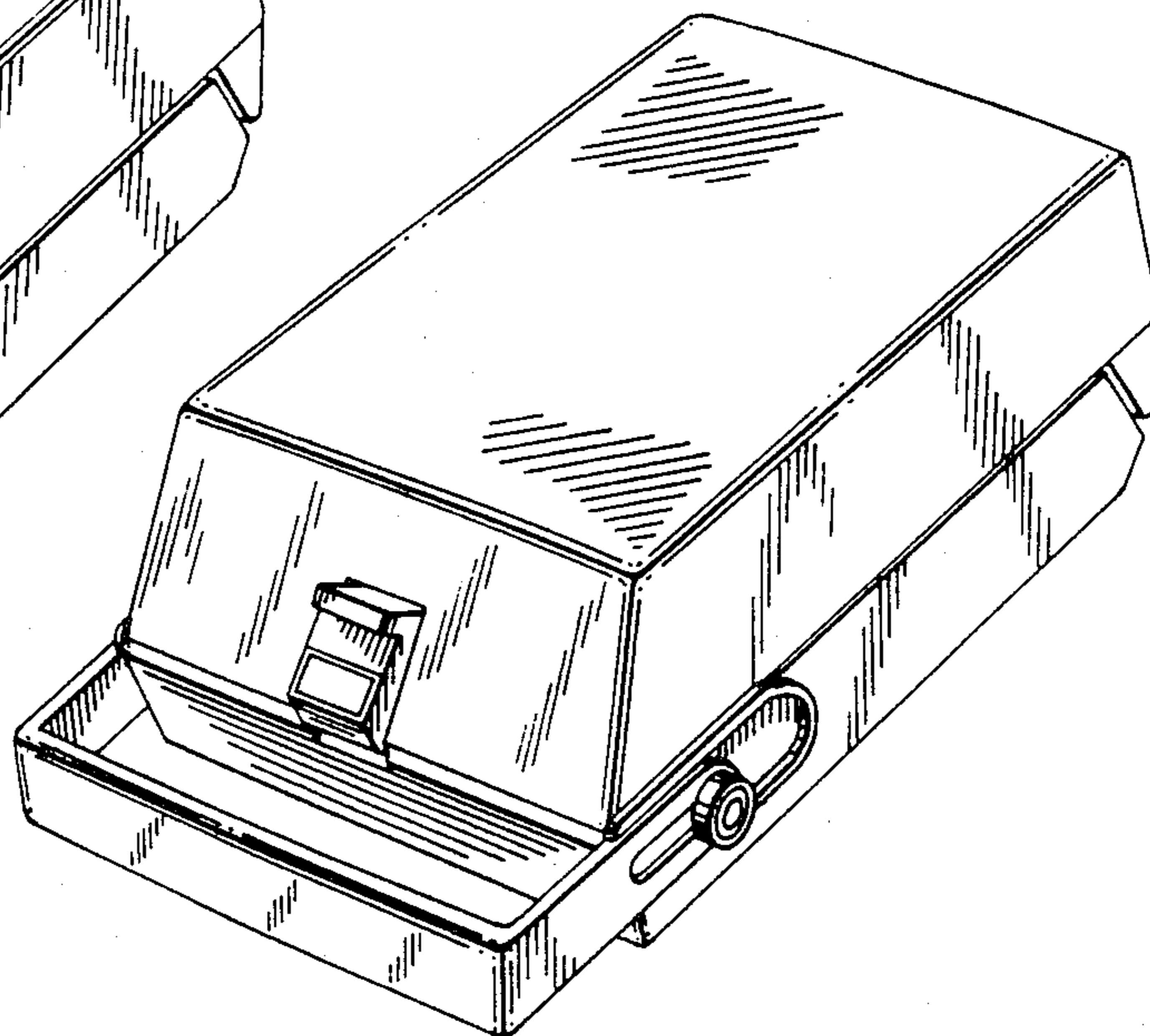
FIG. 5 is an enlarged scale rear elevational view thereof with the card file in closed condition.

The closed portable card file is symmetrical about a longitudinal axis so that the side not shown in the drawings is like the side that is shown. The bottom is plain and unornamented.

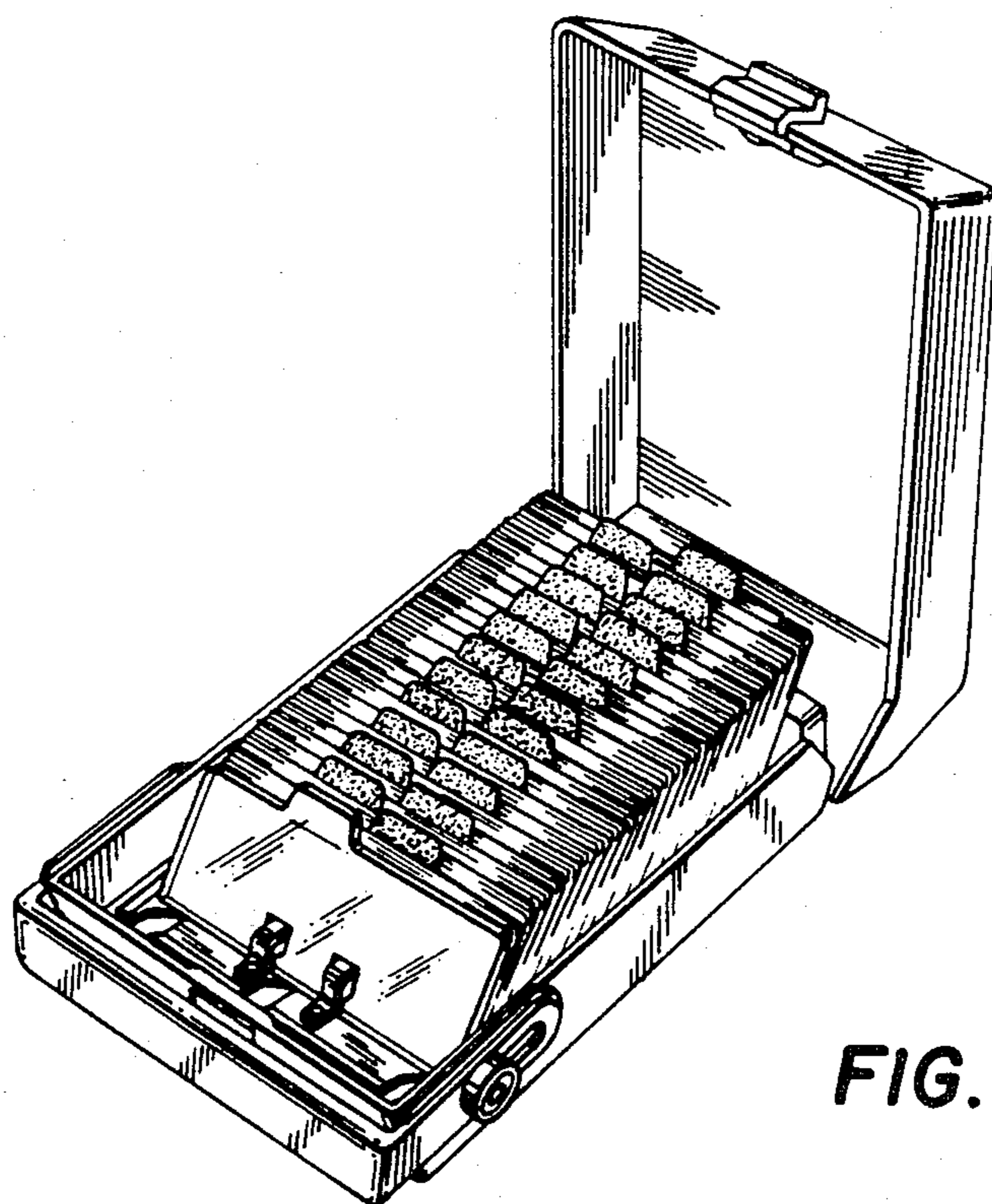




**FIG. 1**



**FIG. 2**



**FIG. 3**

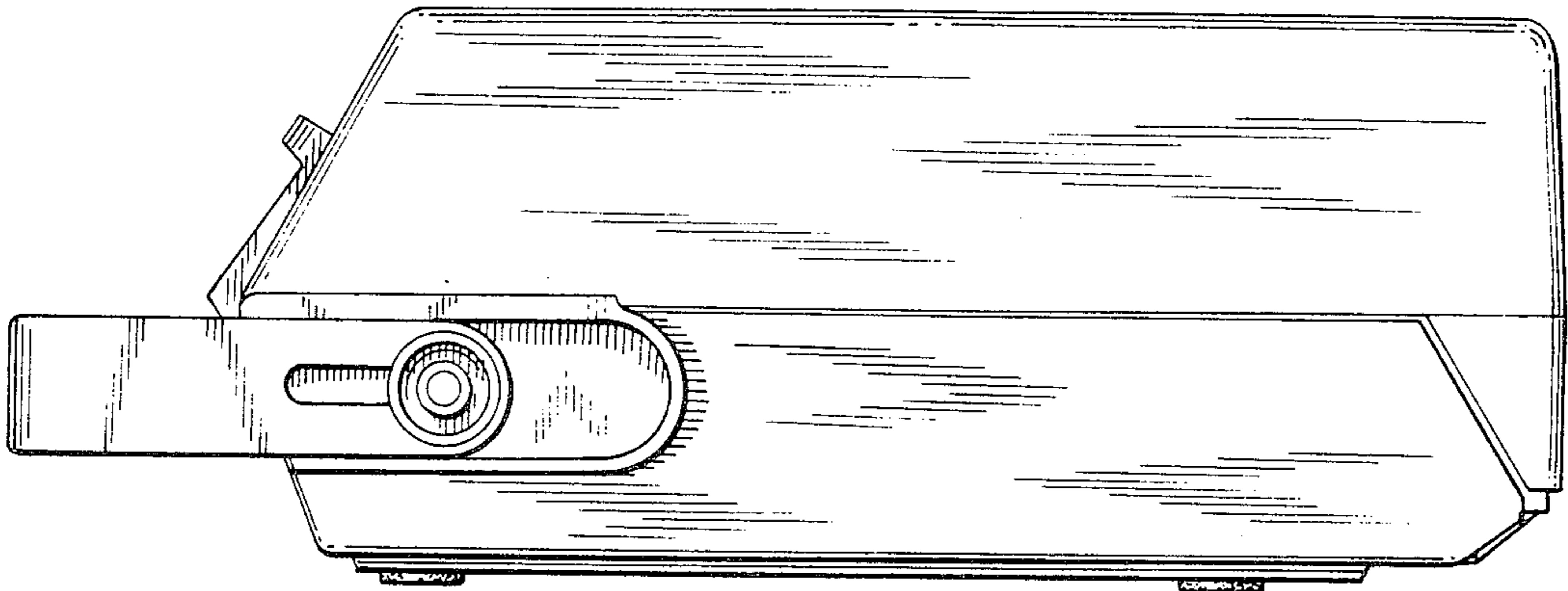


FIG. 4

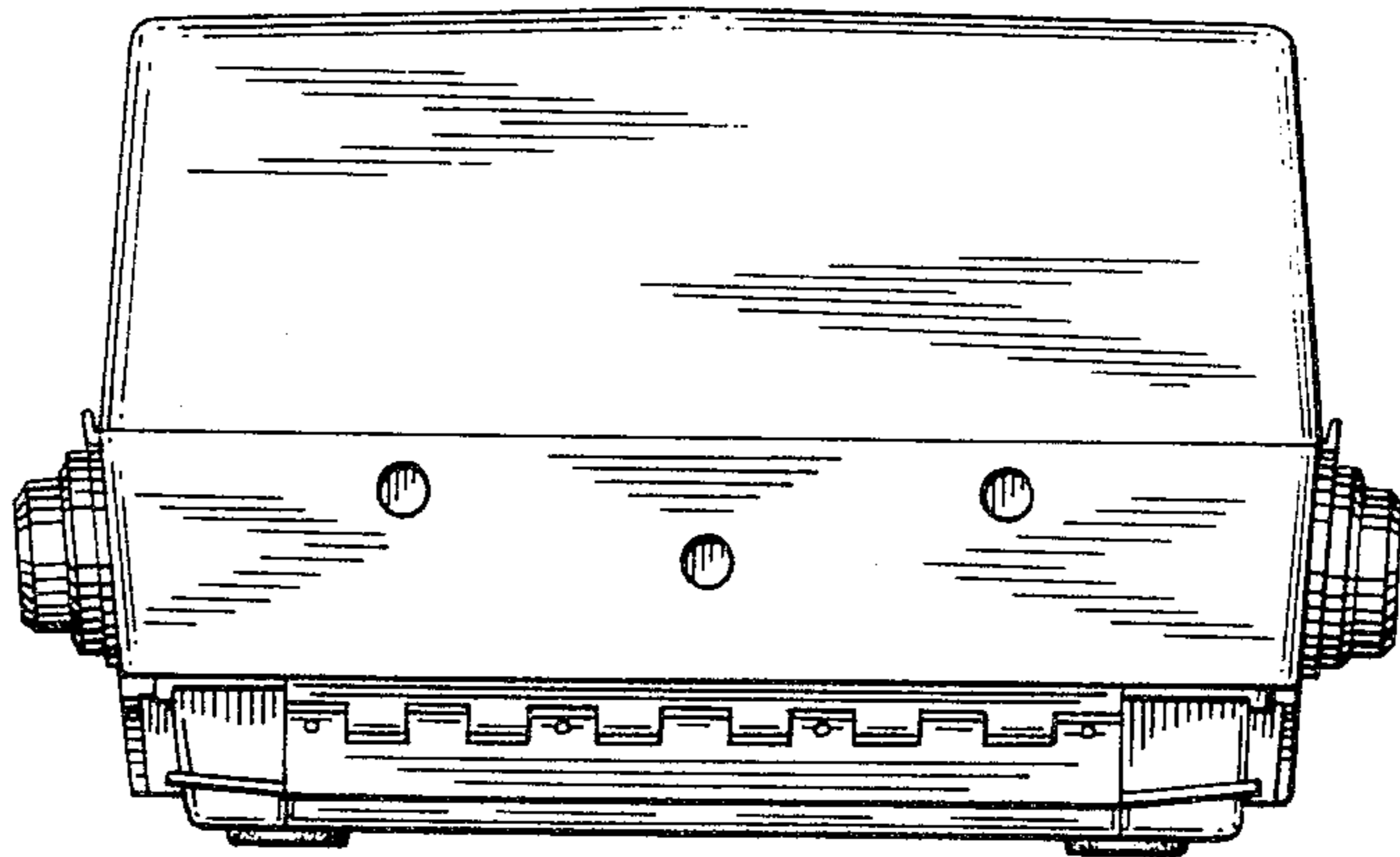


FIG. 5