

[54] **INTEGRATED FEEDER PRINTER**

[75] Inventors: **Richard Hollerith, Jr.**, Montville;
Helmut A. Schneider, Clifton, both of
N.J.

[73] Assignee: **Ziyad, Inc.**, Denville, N.J.

[**] Term: **14 Years**

[21] Appl. No.: **596,921**

[22] Filed: **Apr. 5, 1984**

[52] U.S. Cl. **D18/13; D14/111**

[58] Field of Search **D18/13, 22; D14/111,**
D14/114; D16/27, 30-32; 400/289-294

[56] **References Cited**

U.S. PATENT DOCUMENTS

- D. 262,714 1/1982 Cathey et al. D16/30
- D. 269,274 6/1983 Hofland et al. D16/31

- D. 276,051 10/1984 Kosako et al. D16/31
- D. 279,783 7/1985 Jordan et al. D14/111

Primary Examiner—Louis S. Zarfaz
Attorney, Agent, or Firm—Lerner, David, Littenberg,
Krumholz & Mentlik

[57] **CLAIM**

The ornamental design for an integrated feeder printer,
substantially as shown and described.

DESCRIPTION

FIG. 1 is a perspective view of an integrated feeder
printer showing our new design;
FIG. 2 is a front elevational view thereof;
FIG. 3 is a rear elevational view thereof;
FIG. 4 is a left elevational view thereof;
FIG. 5 is a right side elevational view thereof;
FIG. 6 is a top plan view thereof;
FIG. 7 is a bottom plan view thereof.

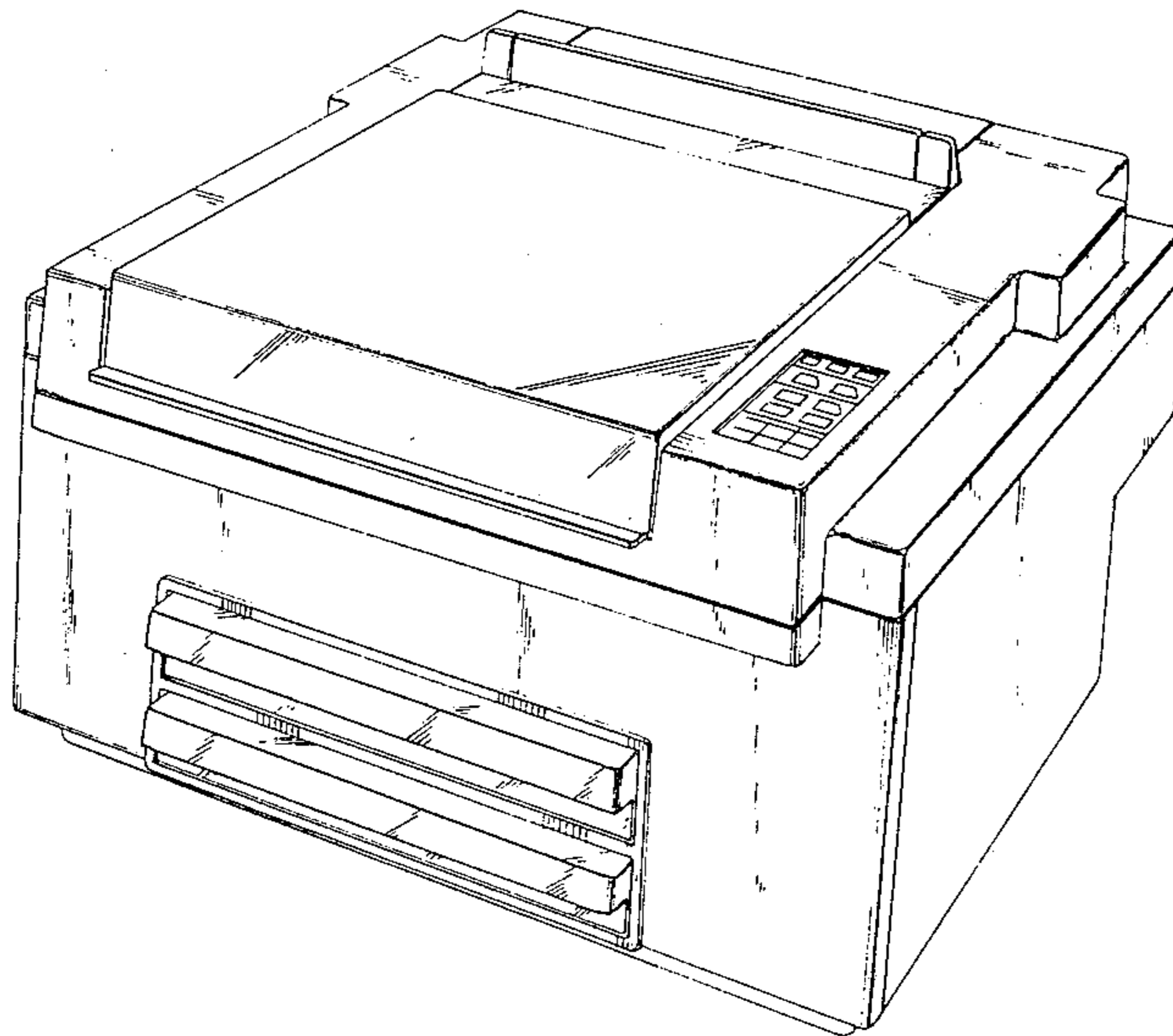


FIG. 1

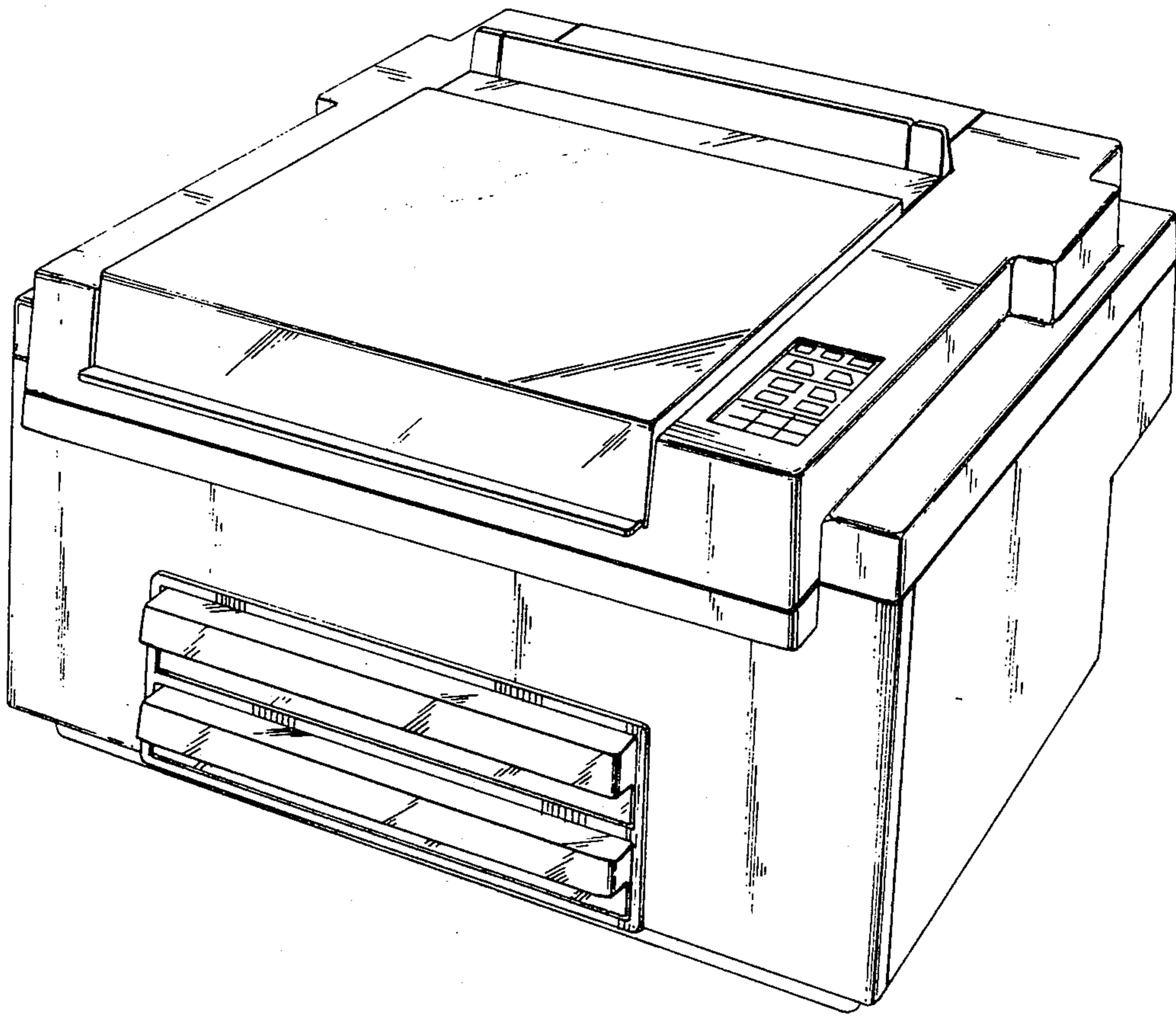


FIG. 2

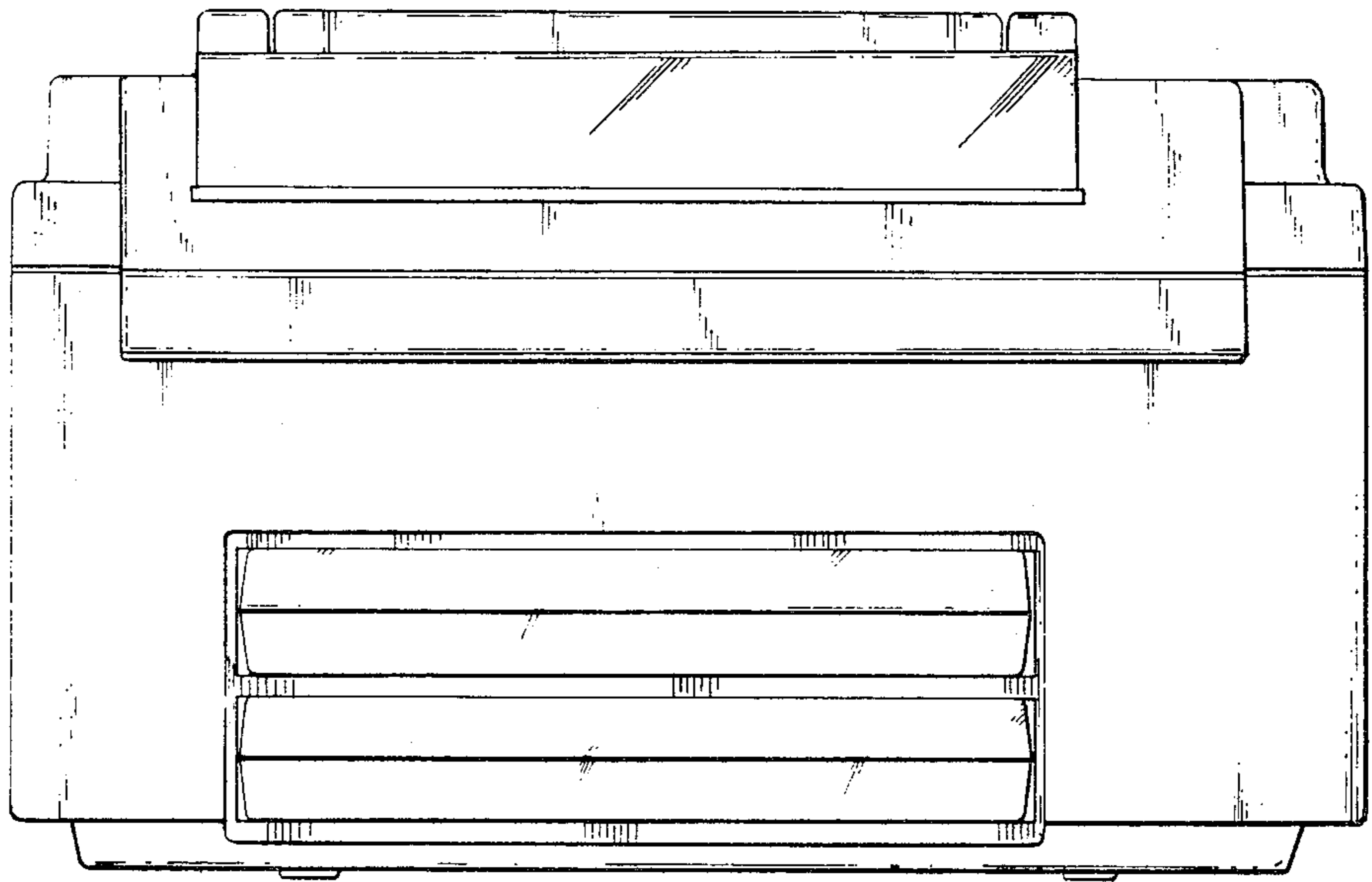


FIG. 3

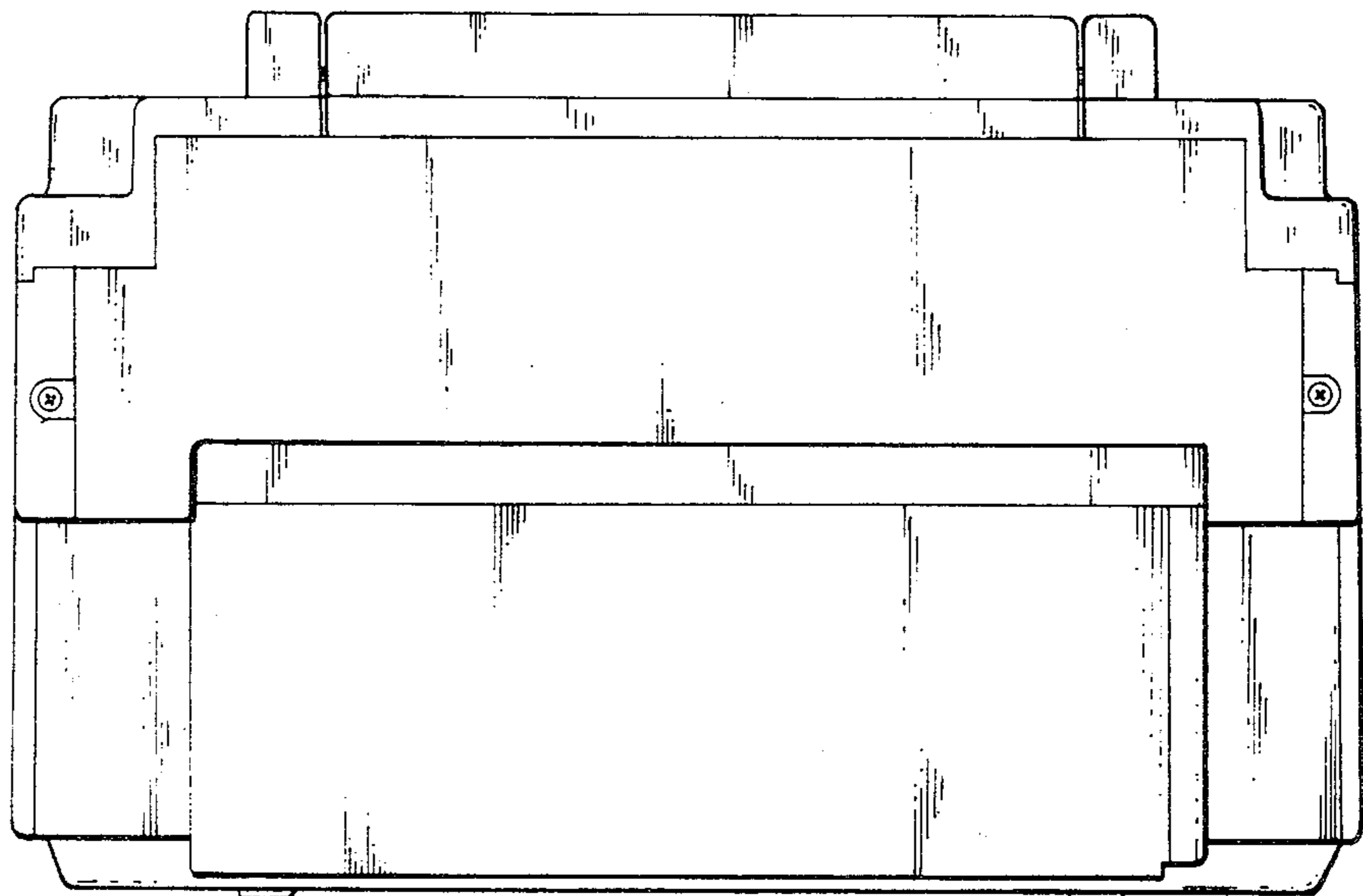


FIG. 4

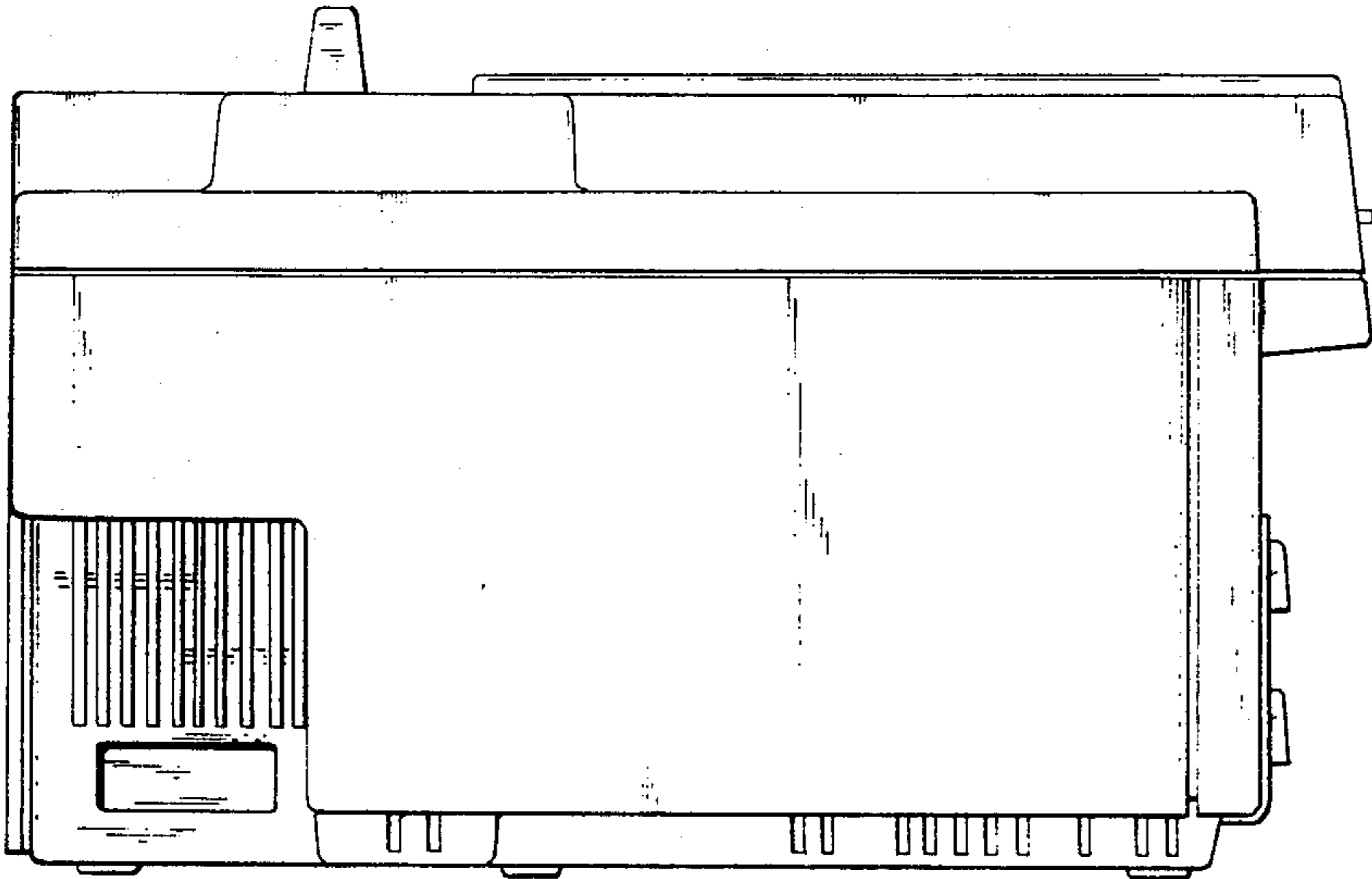


FIG. 5

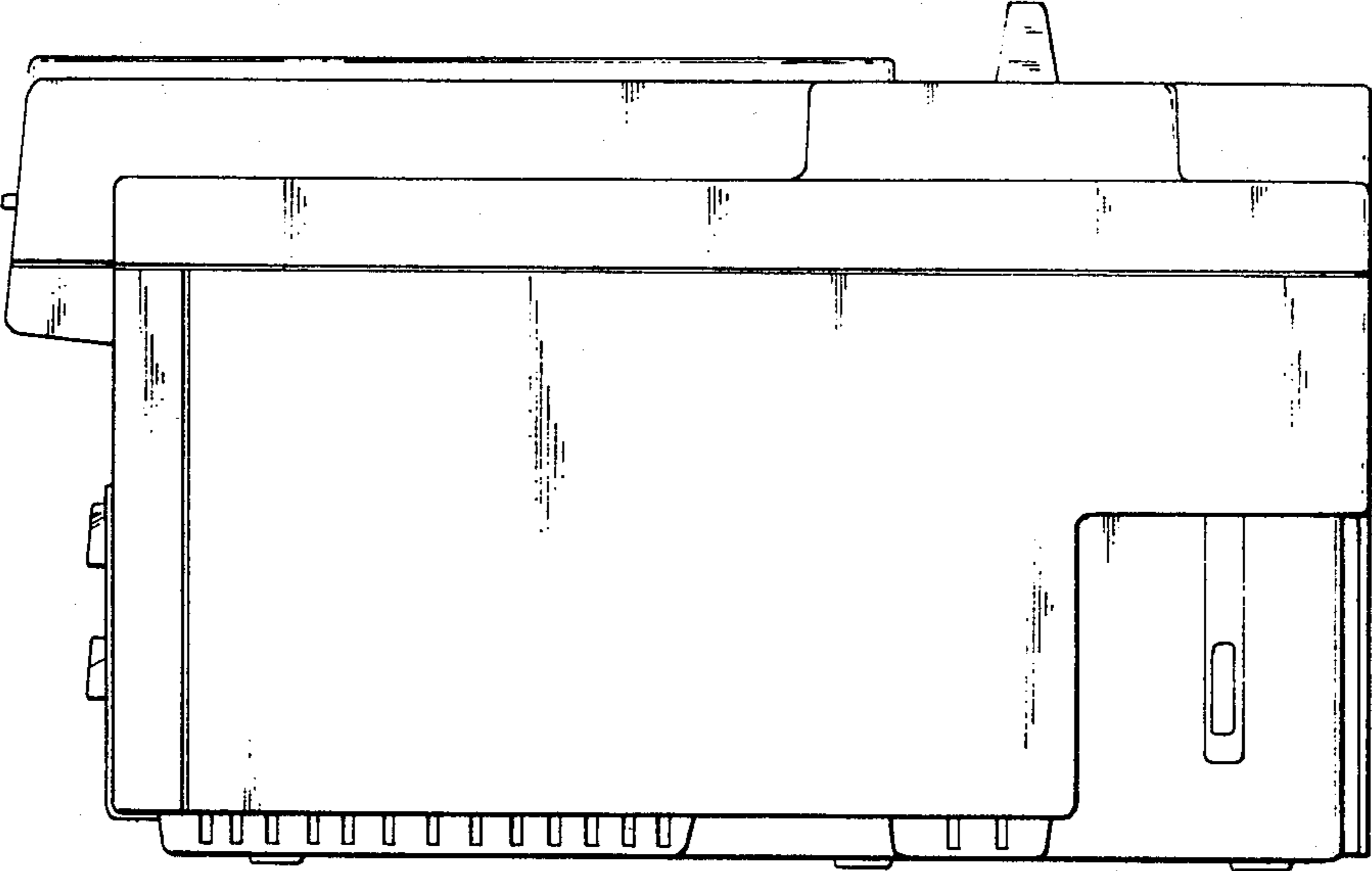


FIG. 6

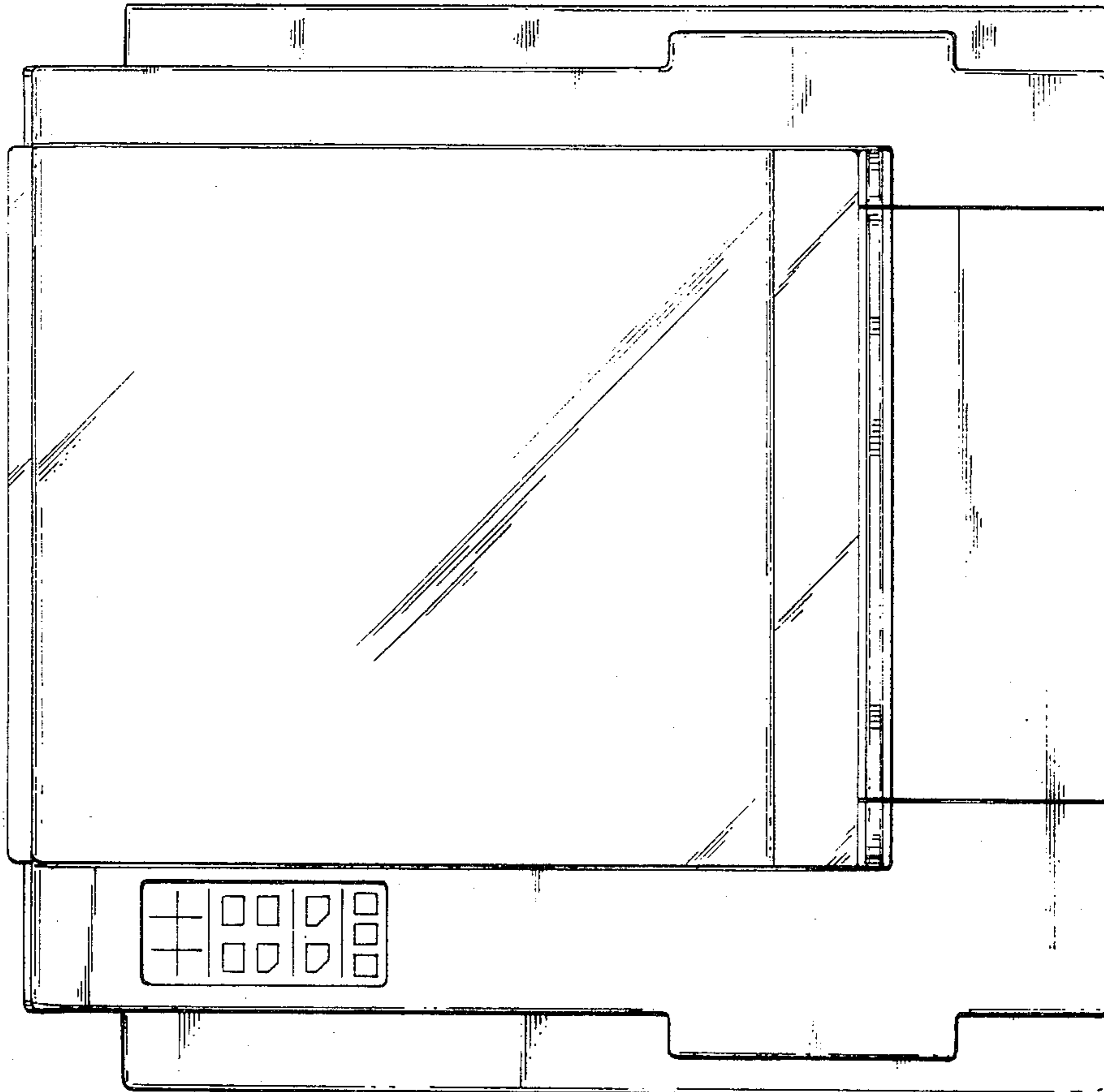


FIG. 7

