

[54] ALTERNATOR STAND

[76] Inventors: Douglas B. Evans, 7045 Lasaine Ave., Van Nuys, Calif. 91406; Robert G. Symonds, 6004 Cheseboro Rd., Agoura, Calif. 91301

[**] Term: 14 Years

[21] Appl. No.: 517,245

[22] Filed: Jul. 25, 1983

[52] U.S. Cl. D15/5

[58] Field of Search 92/224, 229; D15/5

[56] References Cited

U.S. PATENT DOCUMENTS

D. 42,696	7/1912	Monahan	D15/5
D. 261,654	11/1981	Feuling	D15/5
D. 273,297	4/1984	Nolff	D15/5

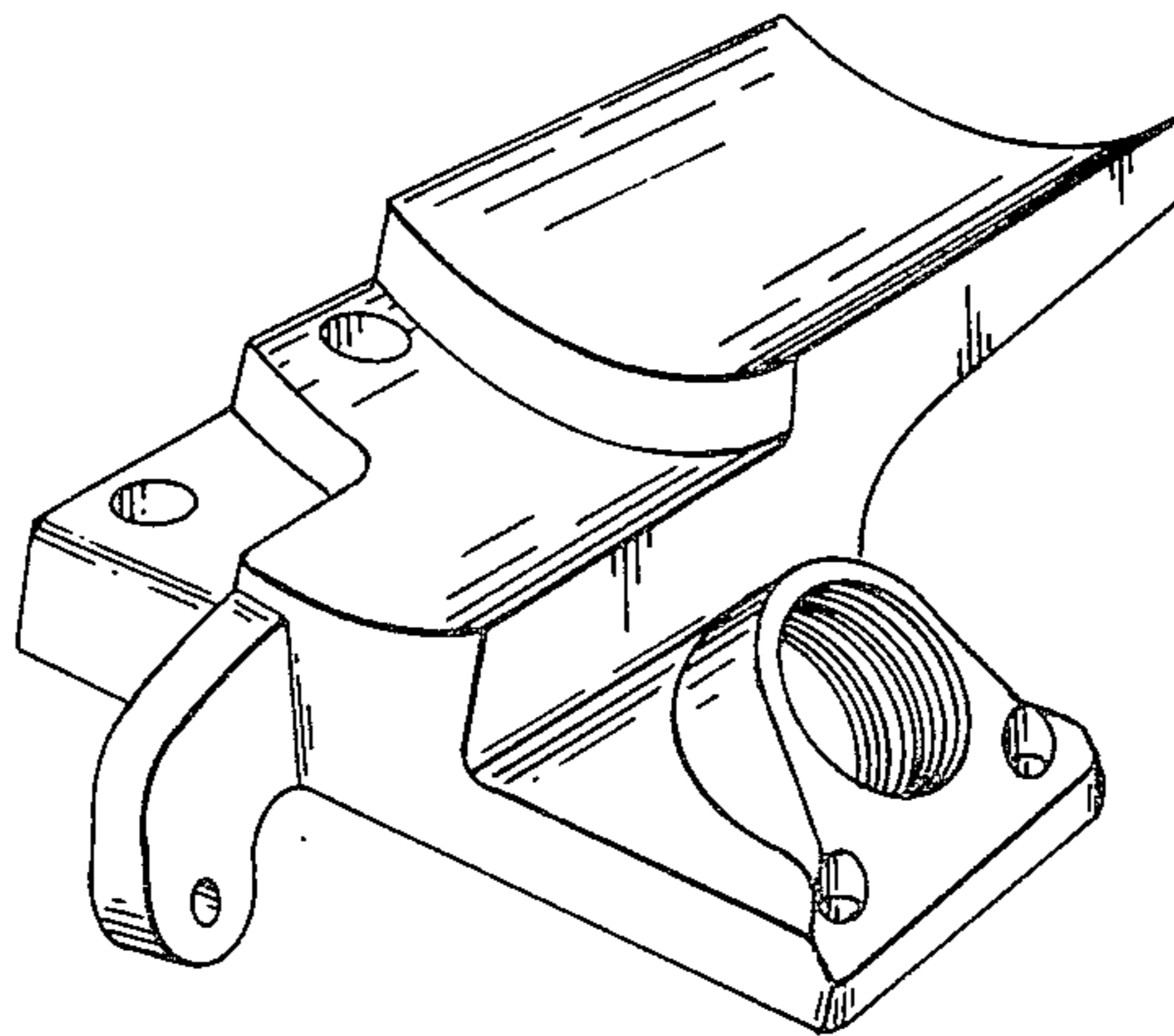
Primary Examiner—Wallace R. Burke
Assistant Examiner—Lynn Wilder
Attorney, Agent, or Firm—Lyon & Lyon

[57] CLAIM

The ornamental design for an alternator stand, as shown and described.

DESCRIPTION

FIG. 1 is a top plan view of an alternator stand showing our new design;
FIG. 2 is a front elevational view thereof;
FIG. 3 is a right side elevational view thereof;
FIG. 4 is a back elevational view thereof;
FIG. 5 is a left side elevational view;
FIG. 6 is a bottom plan view thereof;
FIG. 7 is a cross-sectional view taken along line 7—7 of FIG. 1;
FIG. 8 is a perspective view thereof.



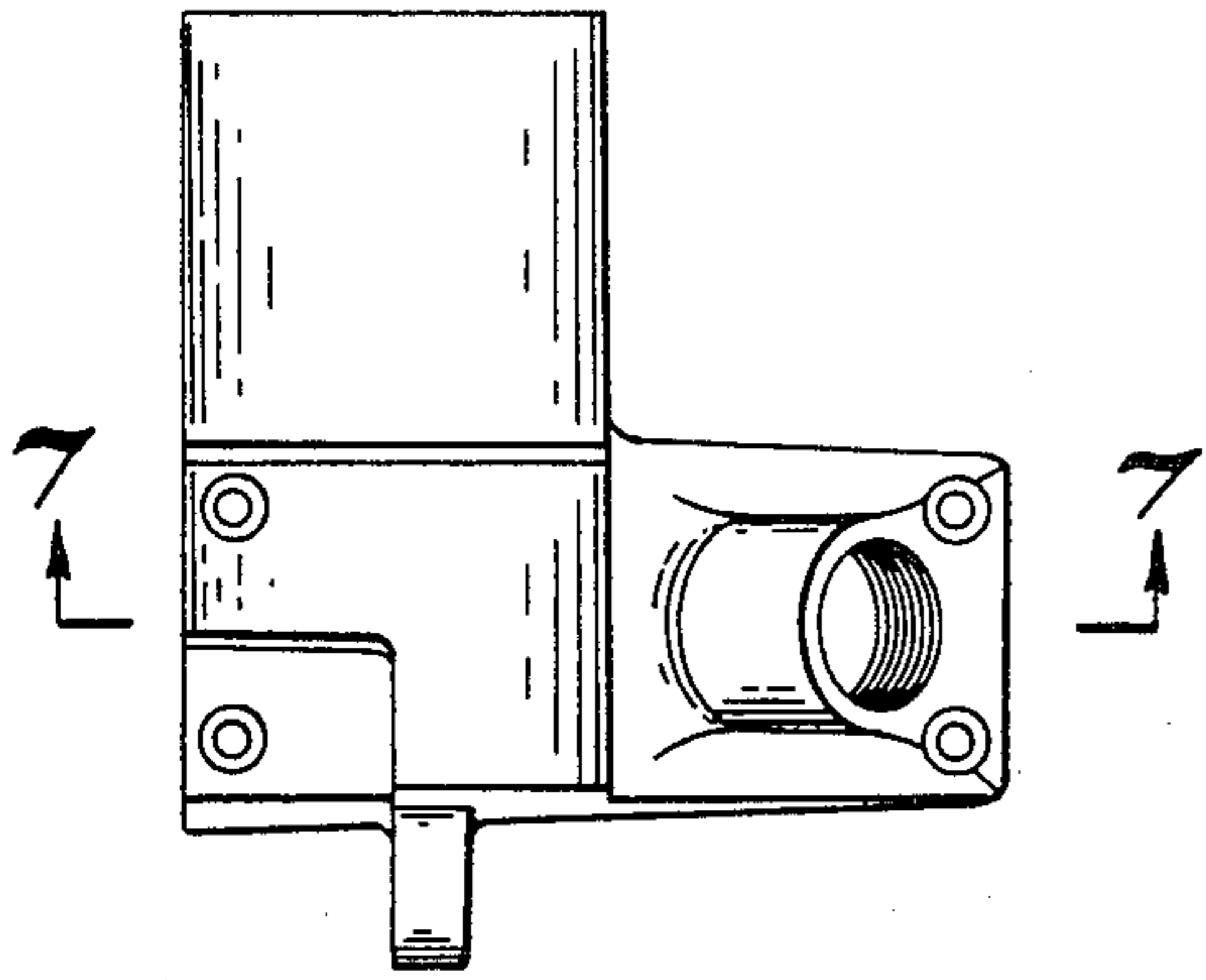


FIG. 1.

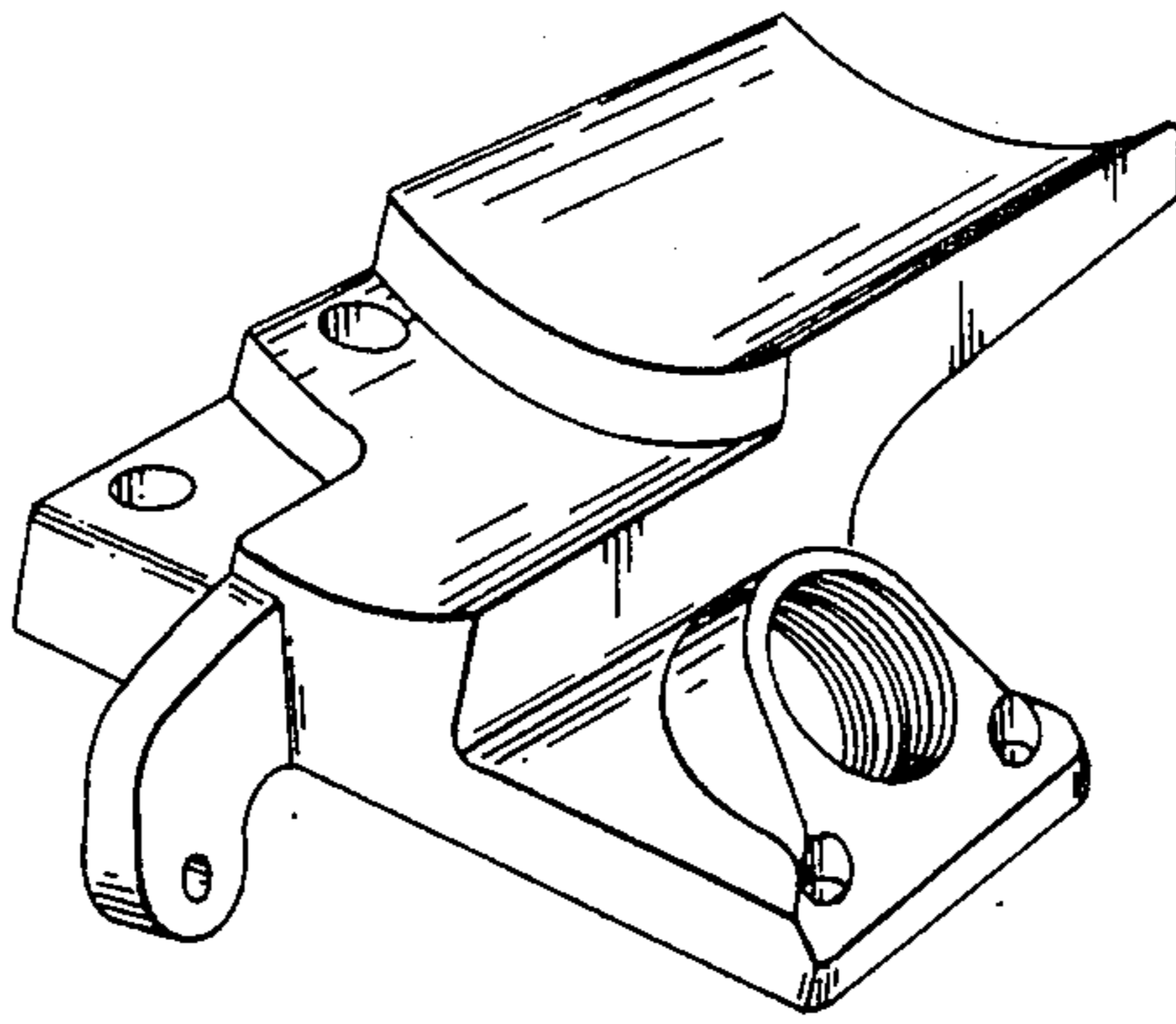


FIG. 8.

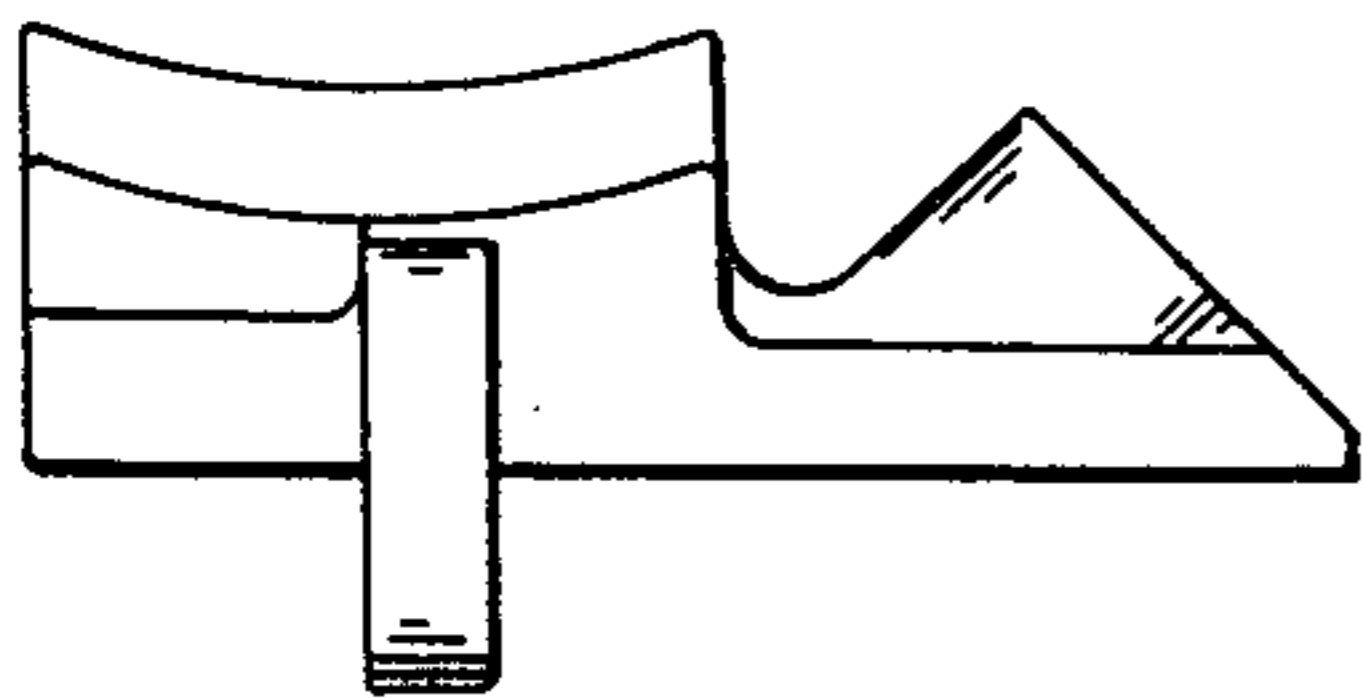


FIG. 2.

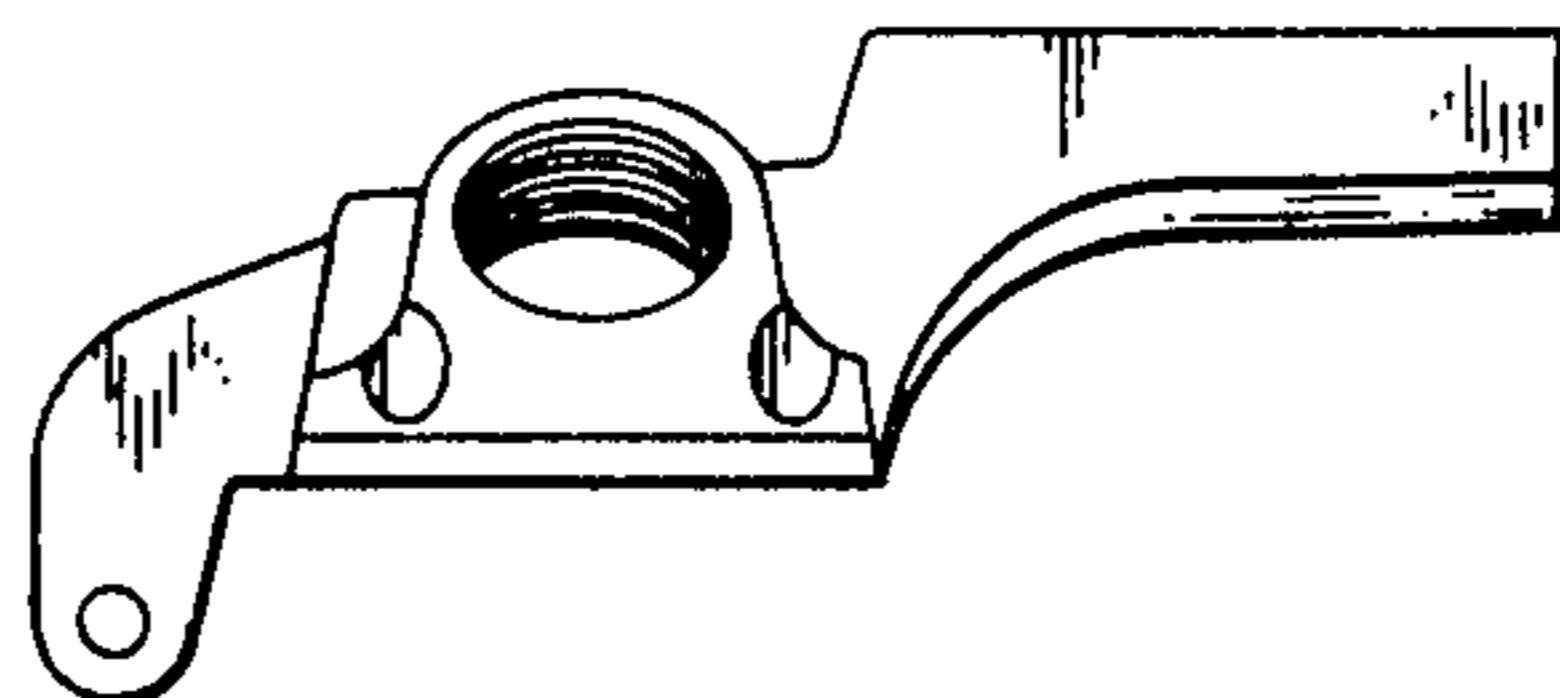


FIG. 3.

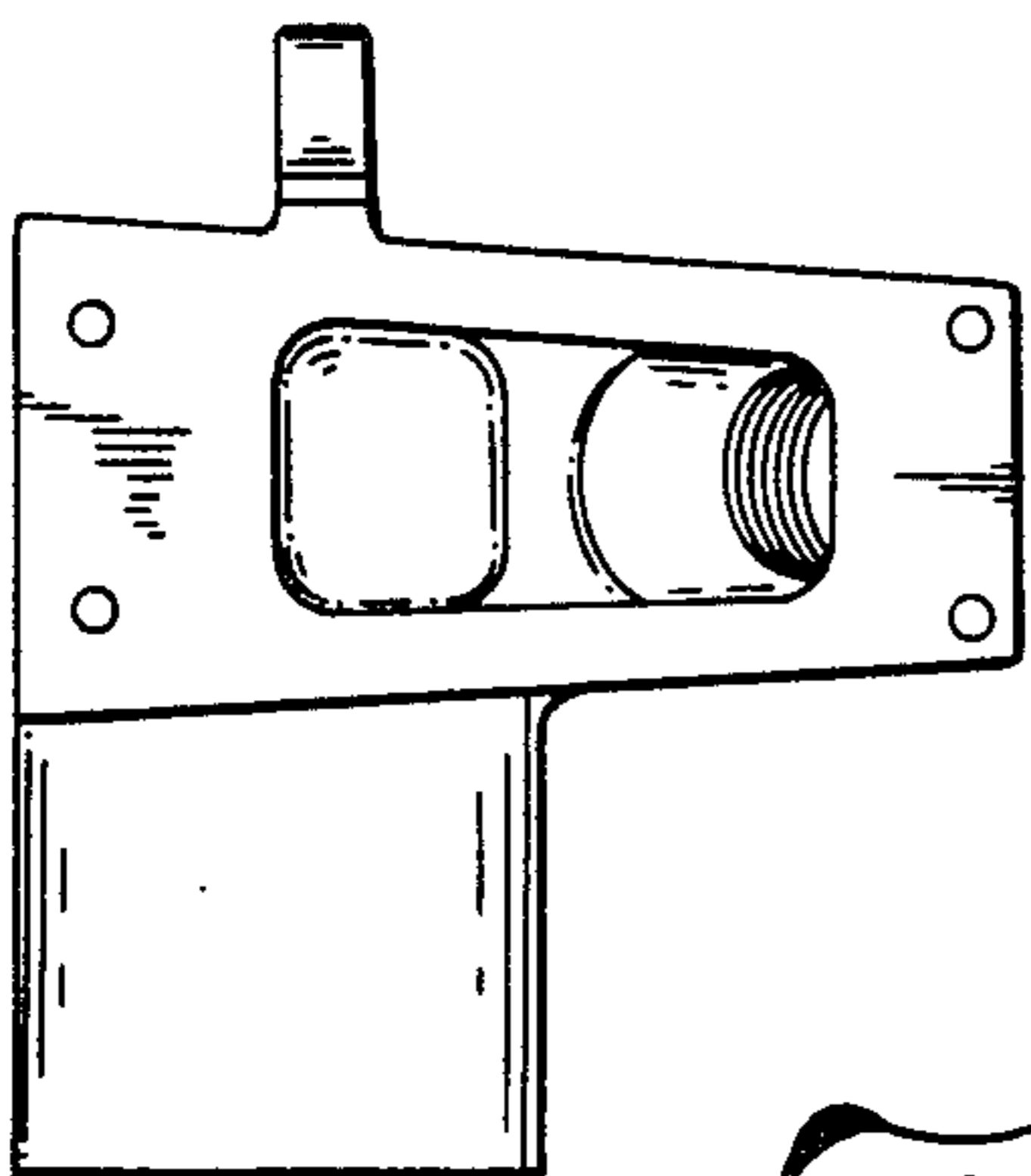


FIG. 6.

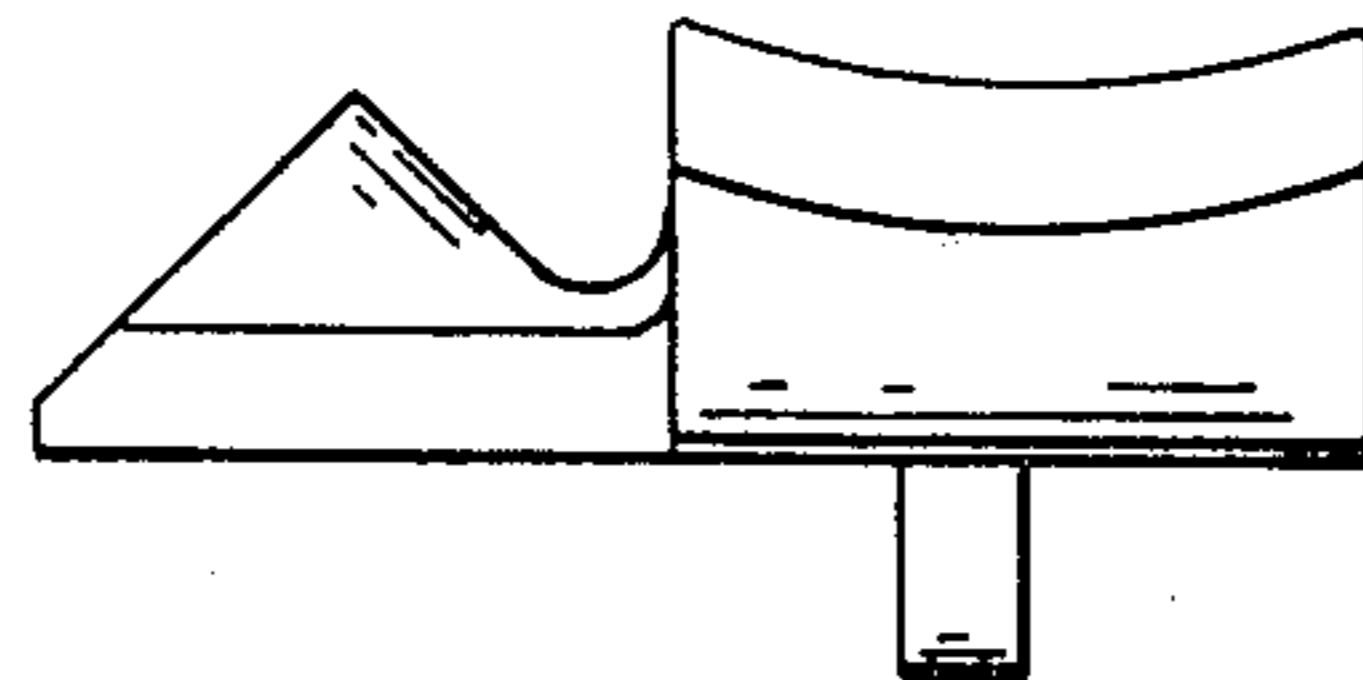


FIG. 4.

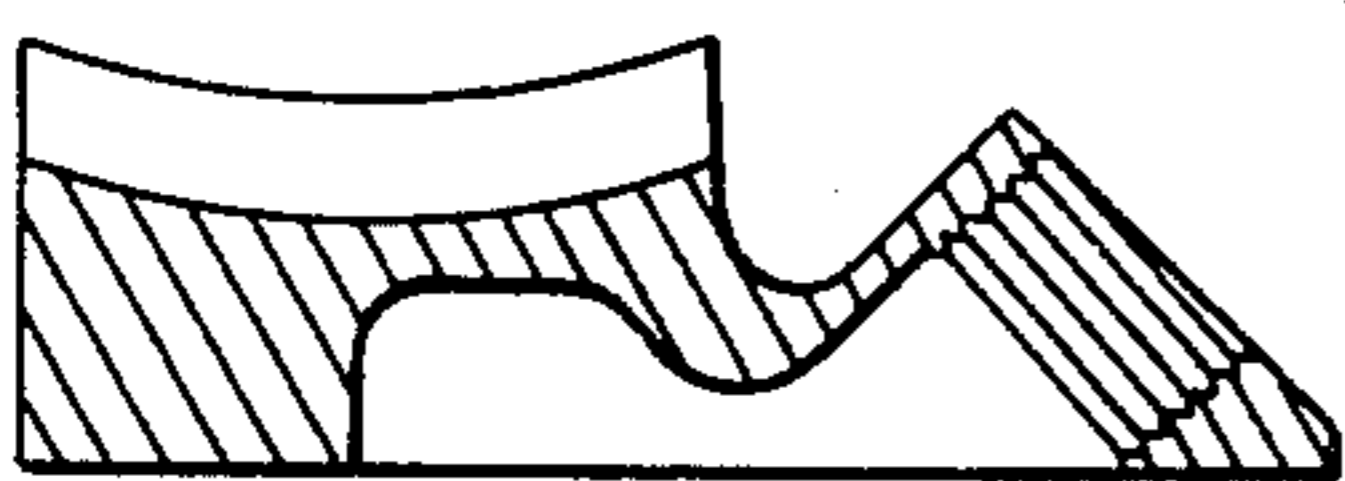


FIG. 7.

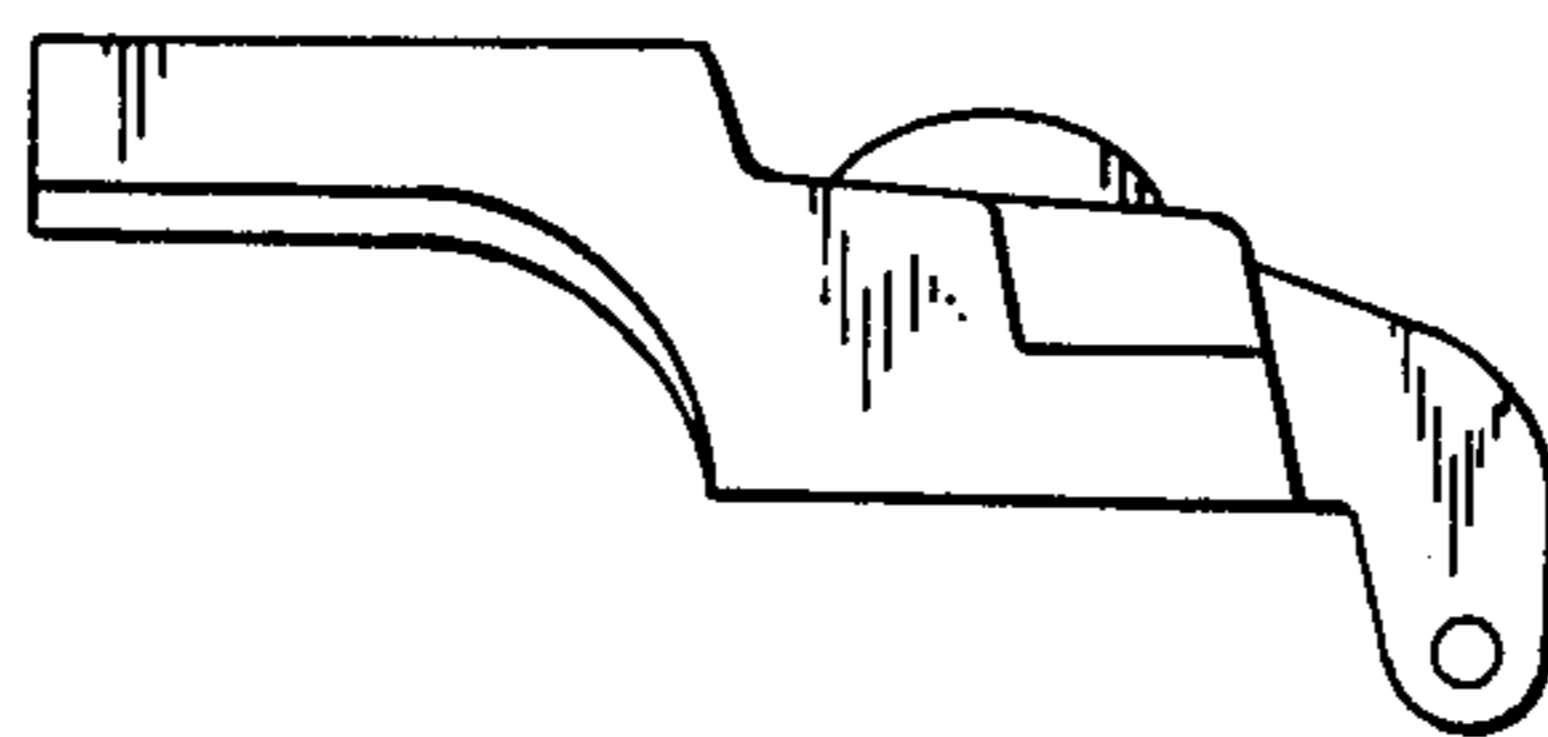


FIG. 5.