

[54] ROM CARTRIDGE KEYPAD FOR PERSONAL COMPUTER

[75] Inventor: Gary E. Grimes, Watertown, Conn.

[73] Assignee: Timex Computer Corporation, Waterbury, Conn.

[**] Term: 14 Years

[21] Appl. No.: 568,322

[22] Filed: Jan. 5, 1984

[52] U.S. Cl. D14/114

[58] Field of Search D14/100, 105, 106, 107, D14/114; 365/365 R, 706; 235/145 R; 278/148 B; 200/5 R, 5 A; D13/38

[56] References Cited

U.S. PATENT DOCUMENTS

- D. 186,316 10/1959 Flanders D14/100
- 3,478,857 11/1969 Linker 235/145 R X
- 4,064,560 12/1977 Baxter 340/365 R X

OTHER PUBLICATIONS

Datamation, 5-1980, p. 48, Adage GmbH Numeric Entry Keypad.

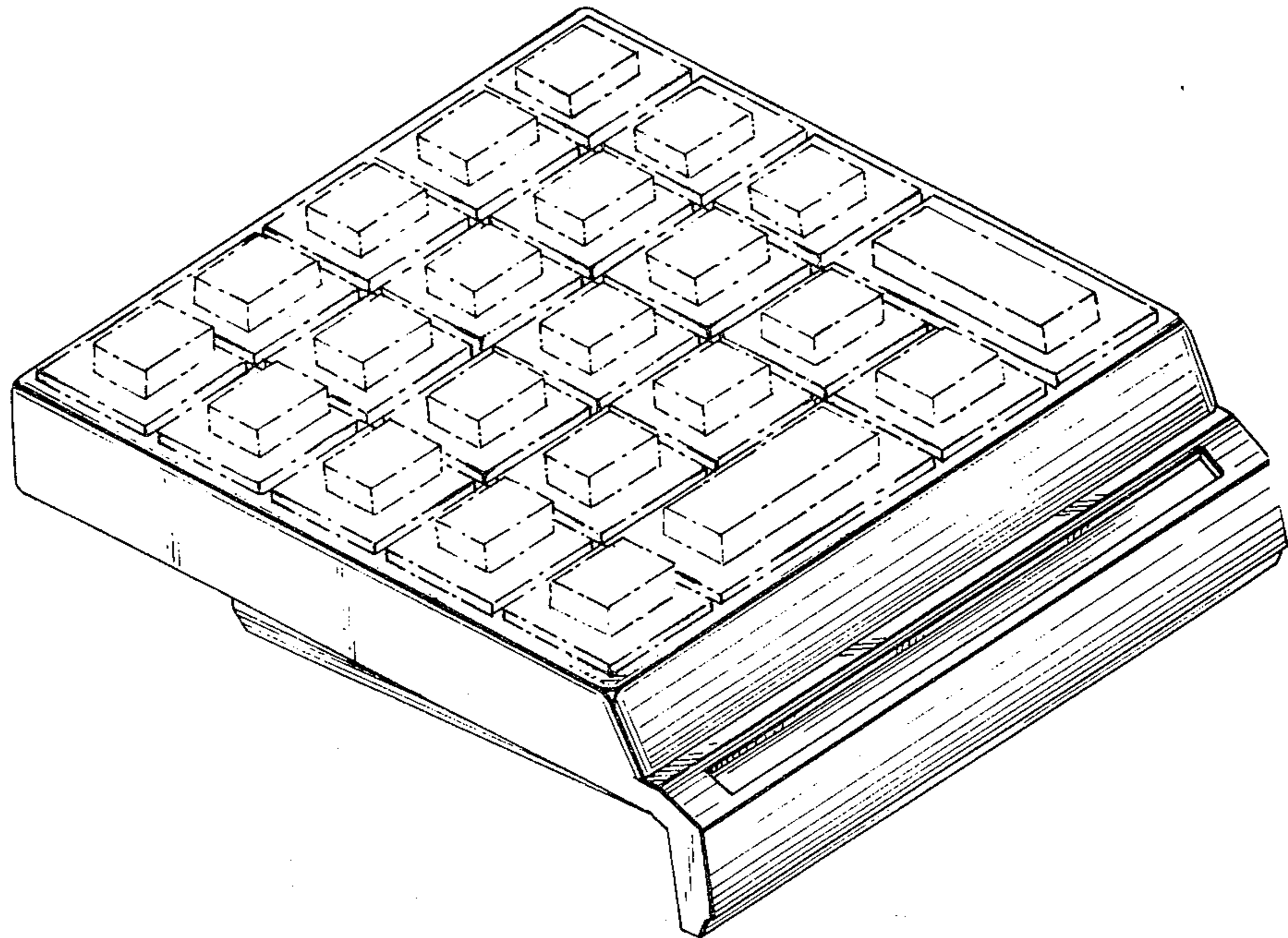
Primary Examiner—Susan J. Lucas
Attorney, Agent, or Firm—William C. Crutcher

[57] CLAIM

The ornamental design for a ROM cartridge keypad for personal computer, as shown and described.

DESCRIPTION

FIG. 1 is a perspective view of a ROM cartridge keypad for personal computer showing my new design;
 FIG. 2 is a top plan view thereof;
 FIG. 3 is a front elevation view thereof;
 FIG. 4 is a left side elevation view thereof;
 FIG. 5 is a right side elevation view thereof;
 FIG. 6 is a rear elevation view thereof;
 FIG. 7 is a bottom plan view thereof.
 The keys are shown in broken lines for illustrative purposes only.



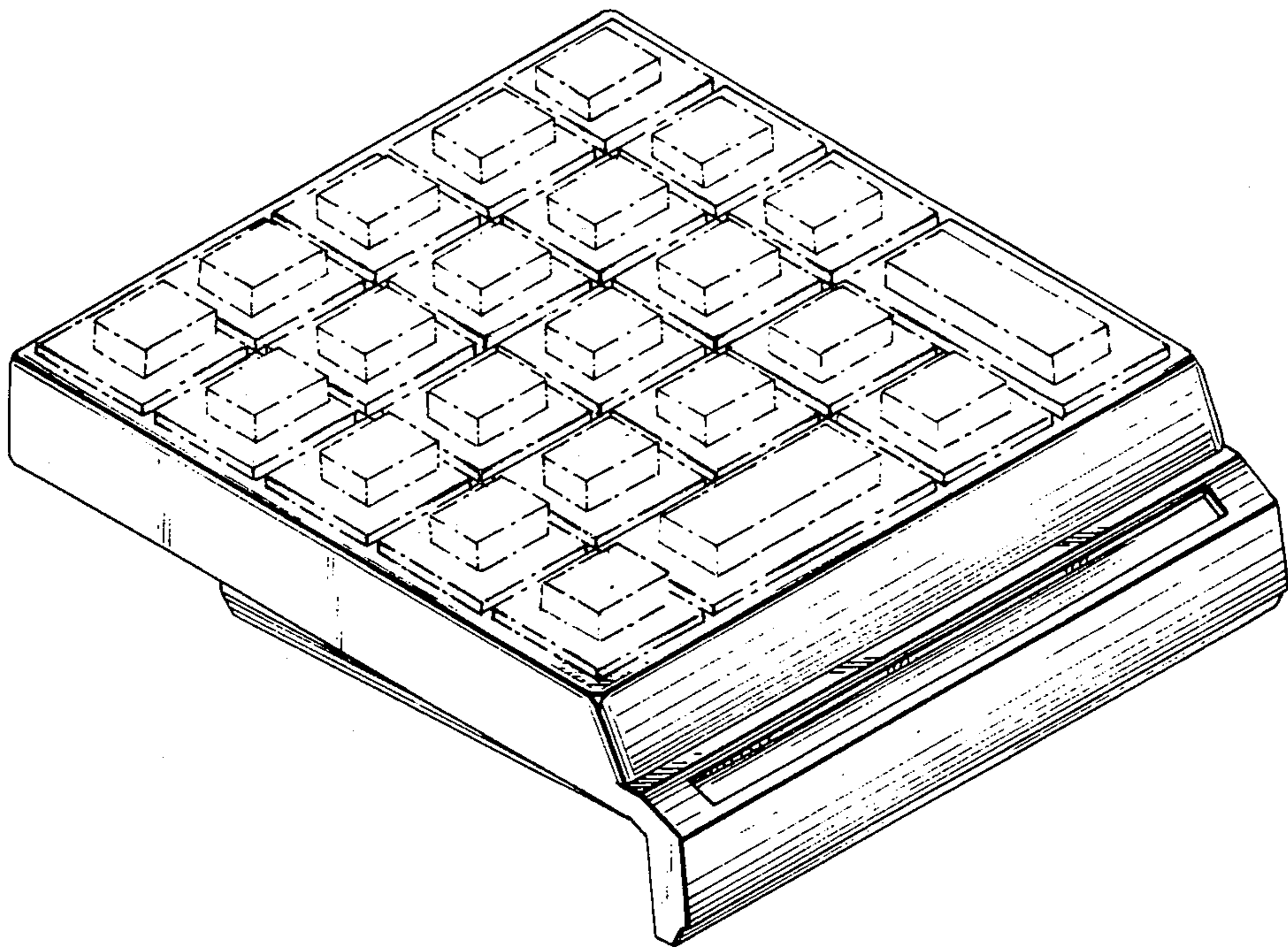


FIG. 1

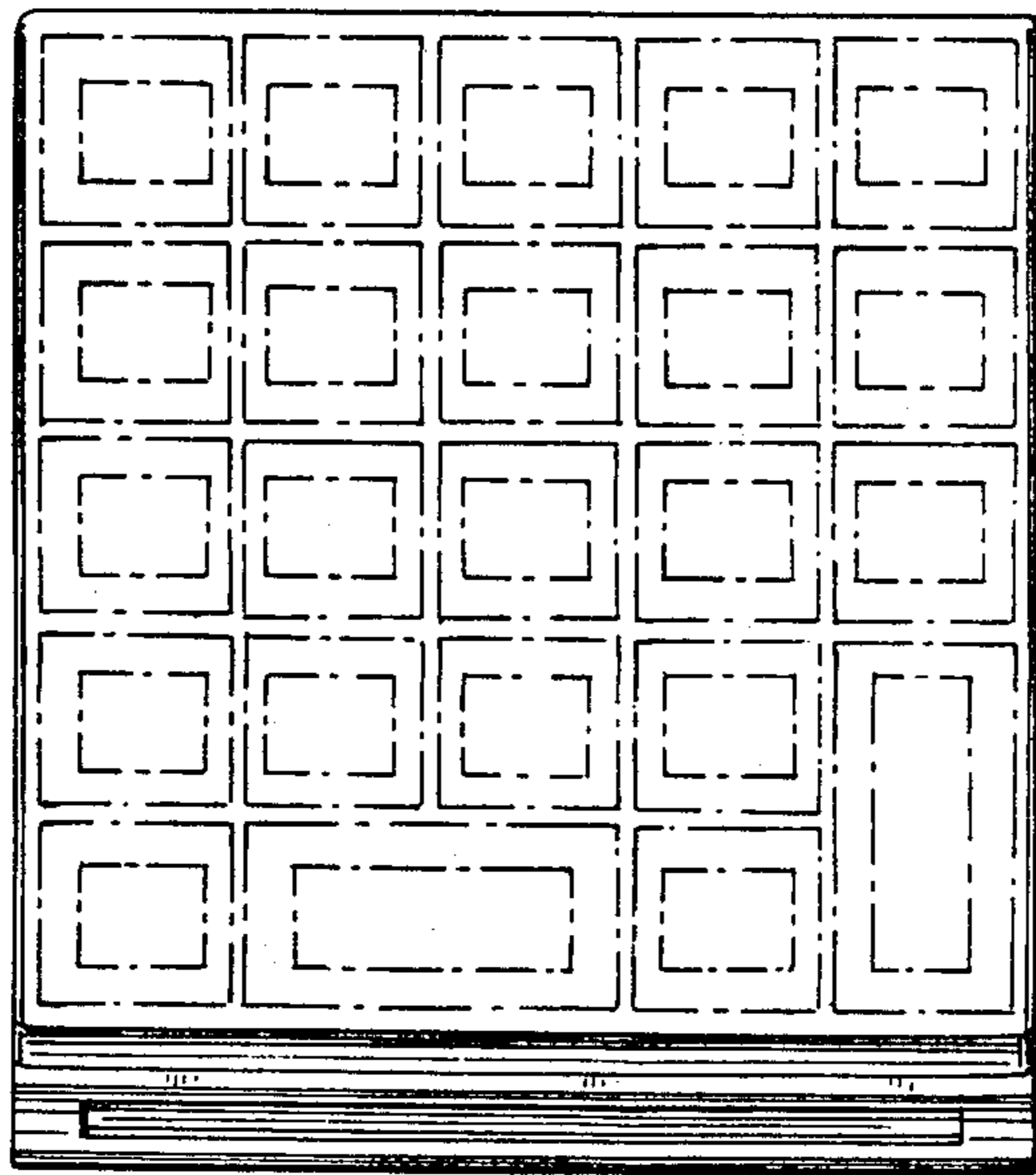


FIG. 2

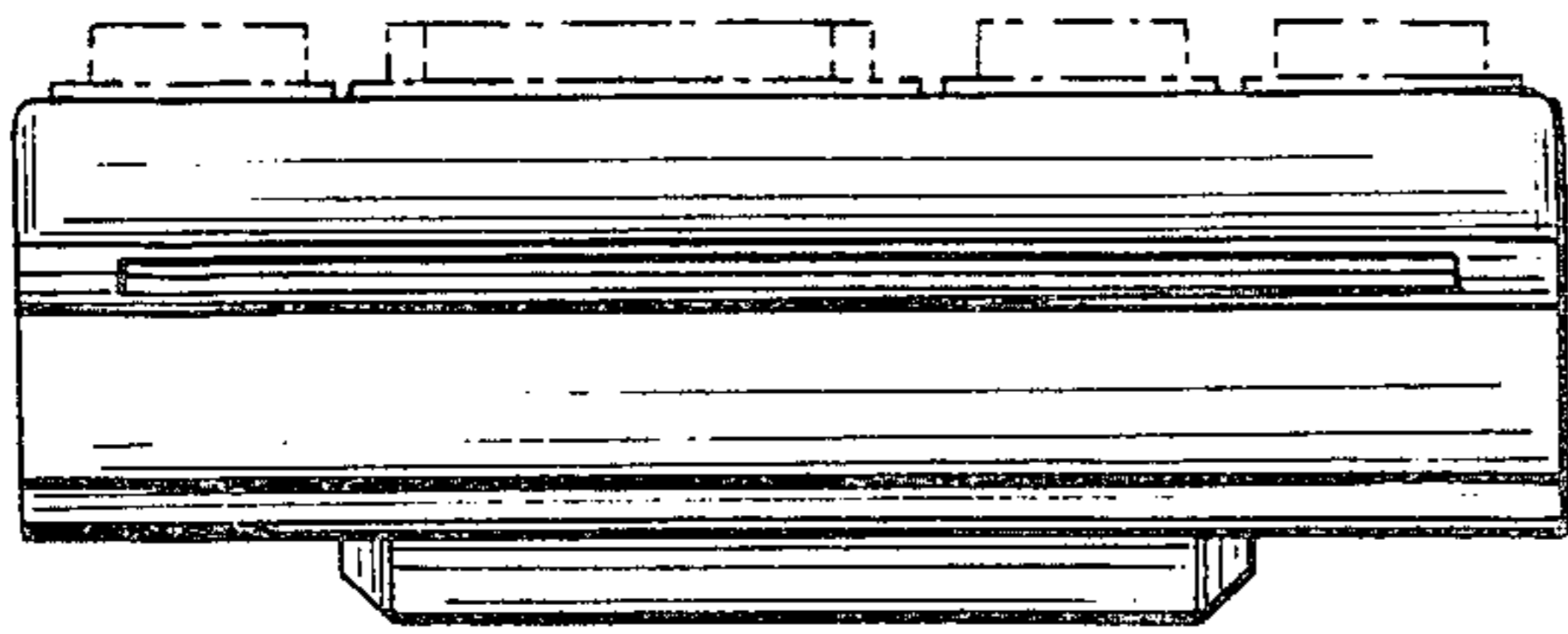


FIG. 3

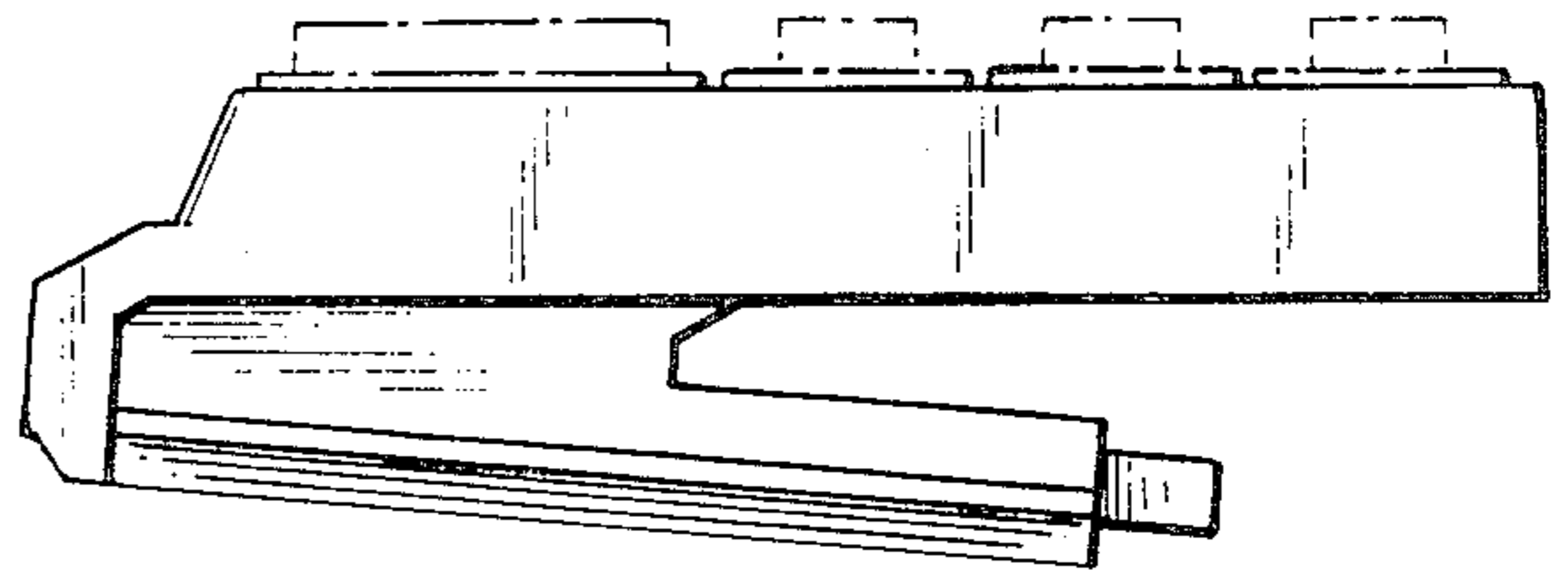


FIG. 4

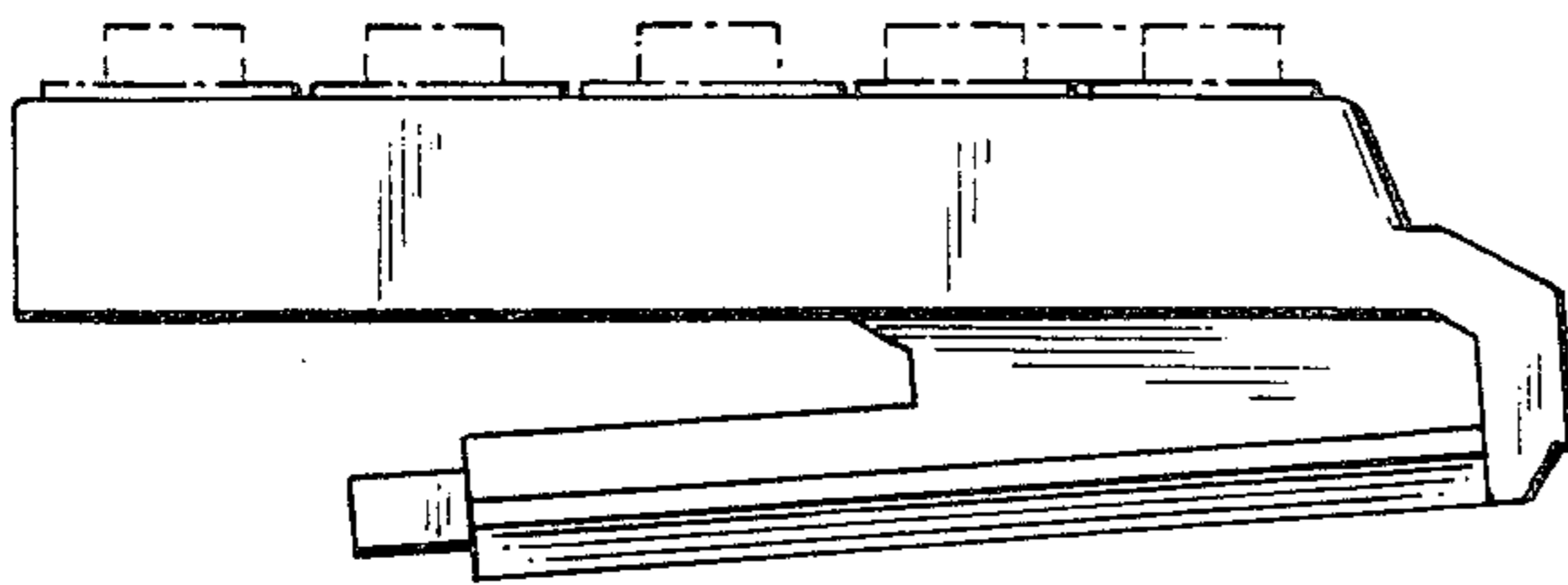


FIG. 5

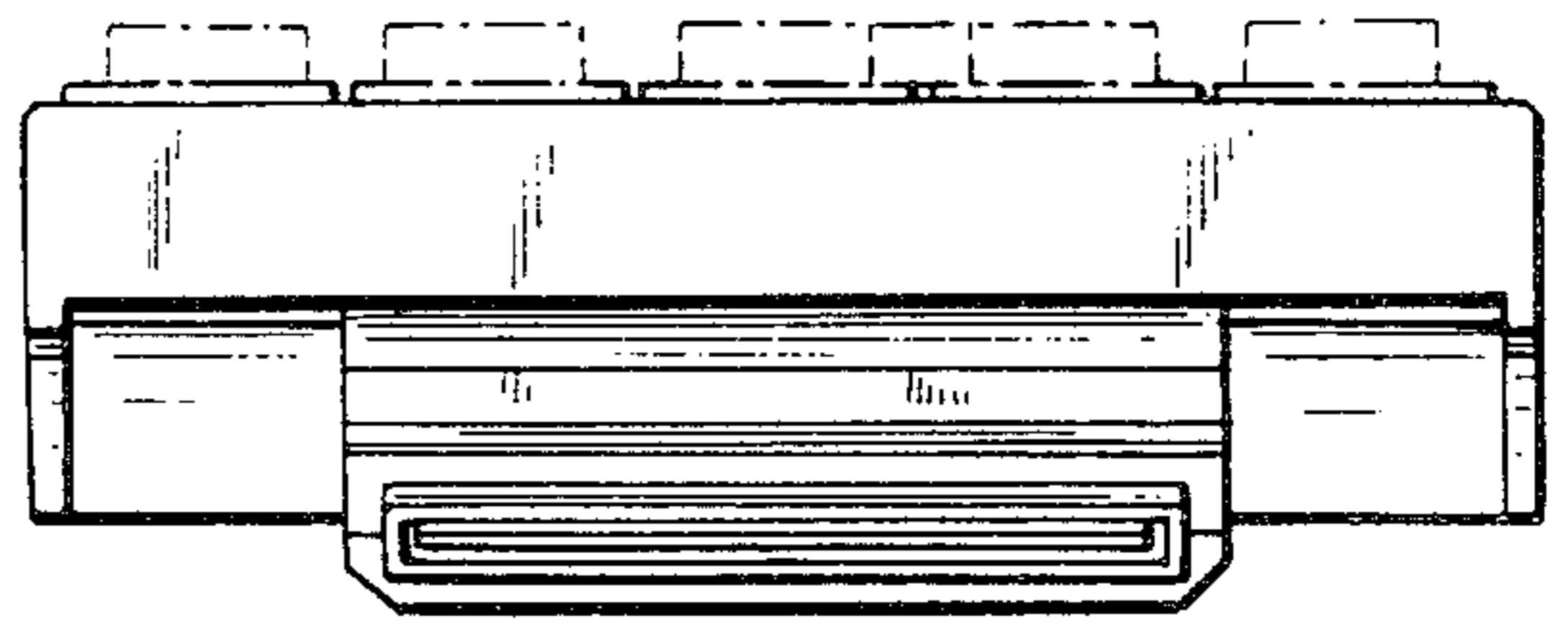


FIG. 6

FIG. 7

