

[54] PIVOTALLY MOUNTED MOTORCYCLE HAND LEVER

[76] Inventor: Christopher S. Trapp, 1706-A Kent St., Roseville, Calif. 95678

[**] Term: 14 Years

[21] Appl. No.: 600,713

[22] Filed: Apr. 16, 1984

[52] U.S. Cl. D12/179

[58] Field of Search D12/179; 74/489, 488, 74/524, 525

[56] References Cited

U.S. PATENT DOCUMENTS

D. 272,527	2/1984	Worzek et al.	D12/179
4,193,318	3/1980	Golobay	74/489
4,232,565	11/1980	Leonheart	74/489

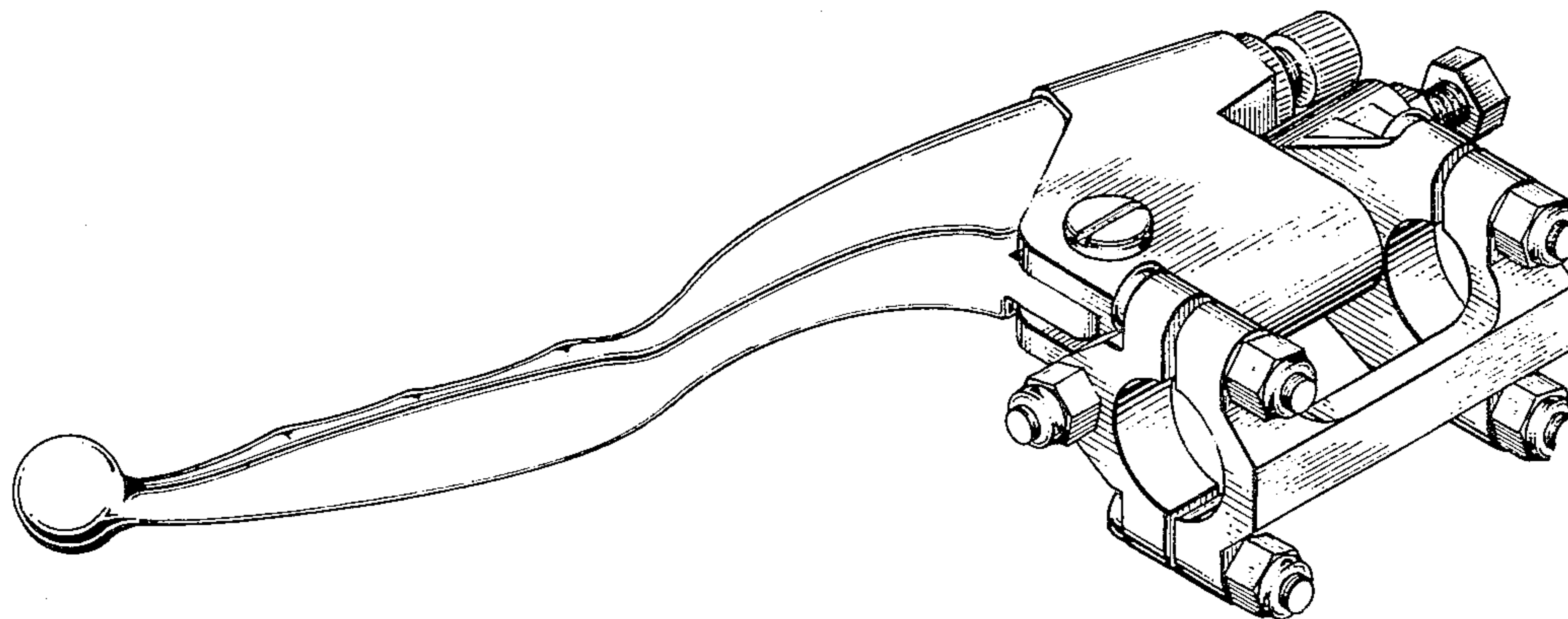
Primary Examiner—James M. Gandy
Attorney, Agent, or Firm—Lothrop & West

[57] CLAIM

The ornamental design for a pivotally mounted motorcycle hand lever, as shown and described.

DESCRIPTION

FIG. 1 is a left front perspective of a pivotally mounted motorcycle hand lever, showing my new design;
 FIG. 2 is a top plan view, thereof;
 FIG. 3 is a front elevational view, thereof;
 FIG. 4 is an end elevational view thereof;
 FIG. 5 is a rear elevational view, thereof;
 FIG. 6 is a bottom plan view, thereof;
 FIG. 7 is an end elevational view thereof opposite to that shown in FIG. 4; and
 FIG. 8 is an end elevational view thereof similar to that shown in FIG. 7 but with the hand lever rotated in an alternate position.



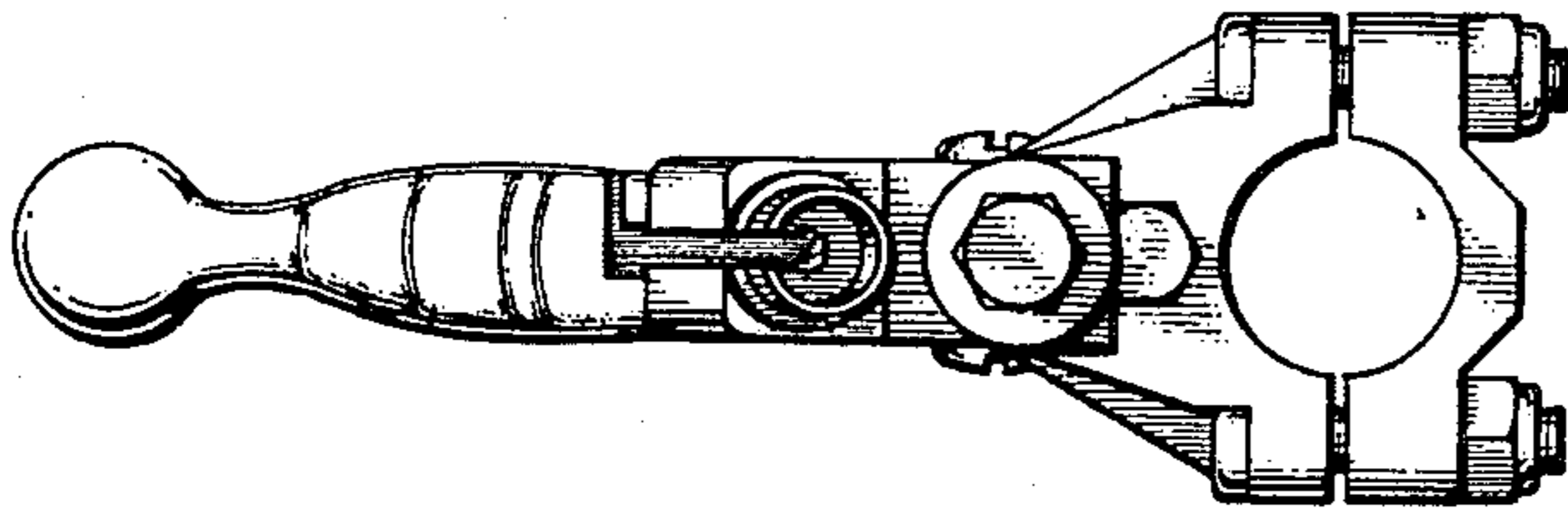
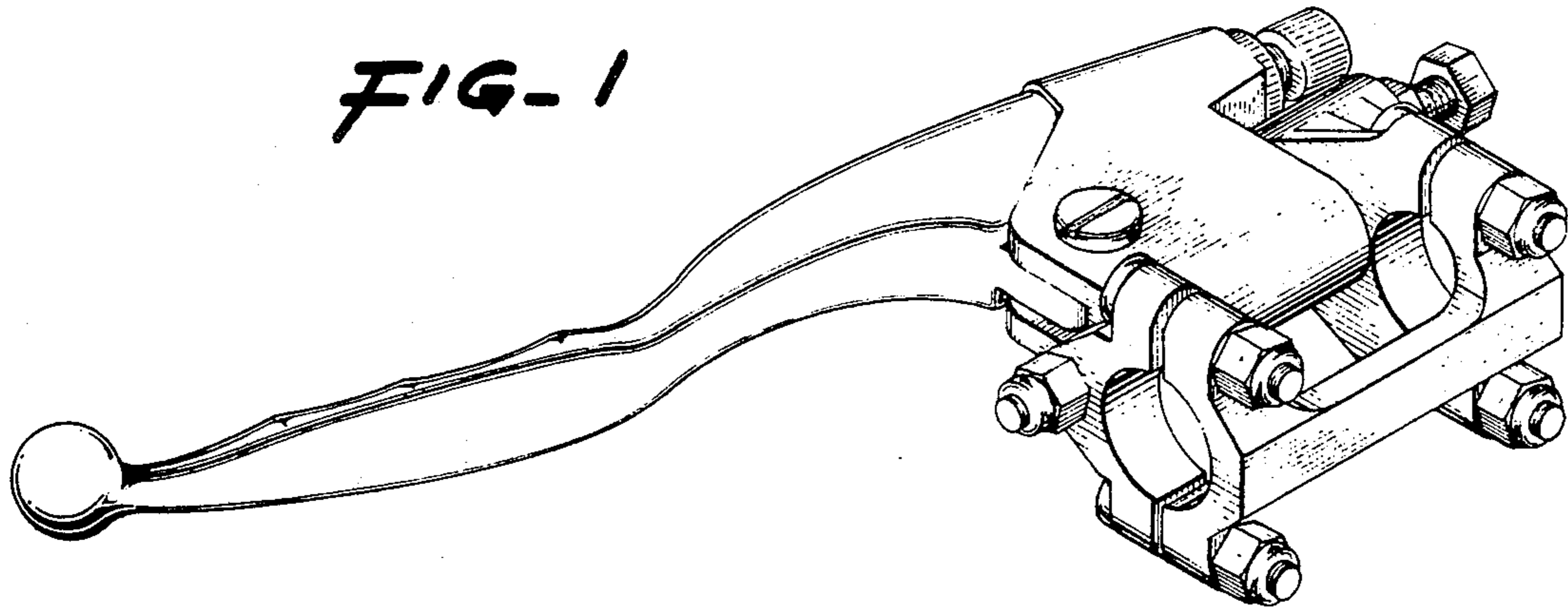


FIG-4

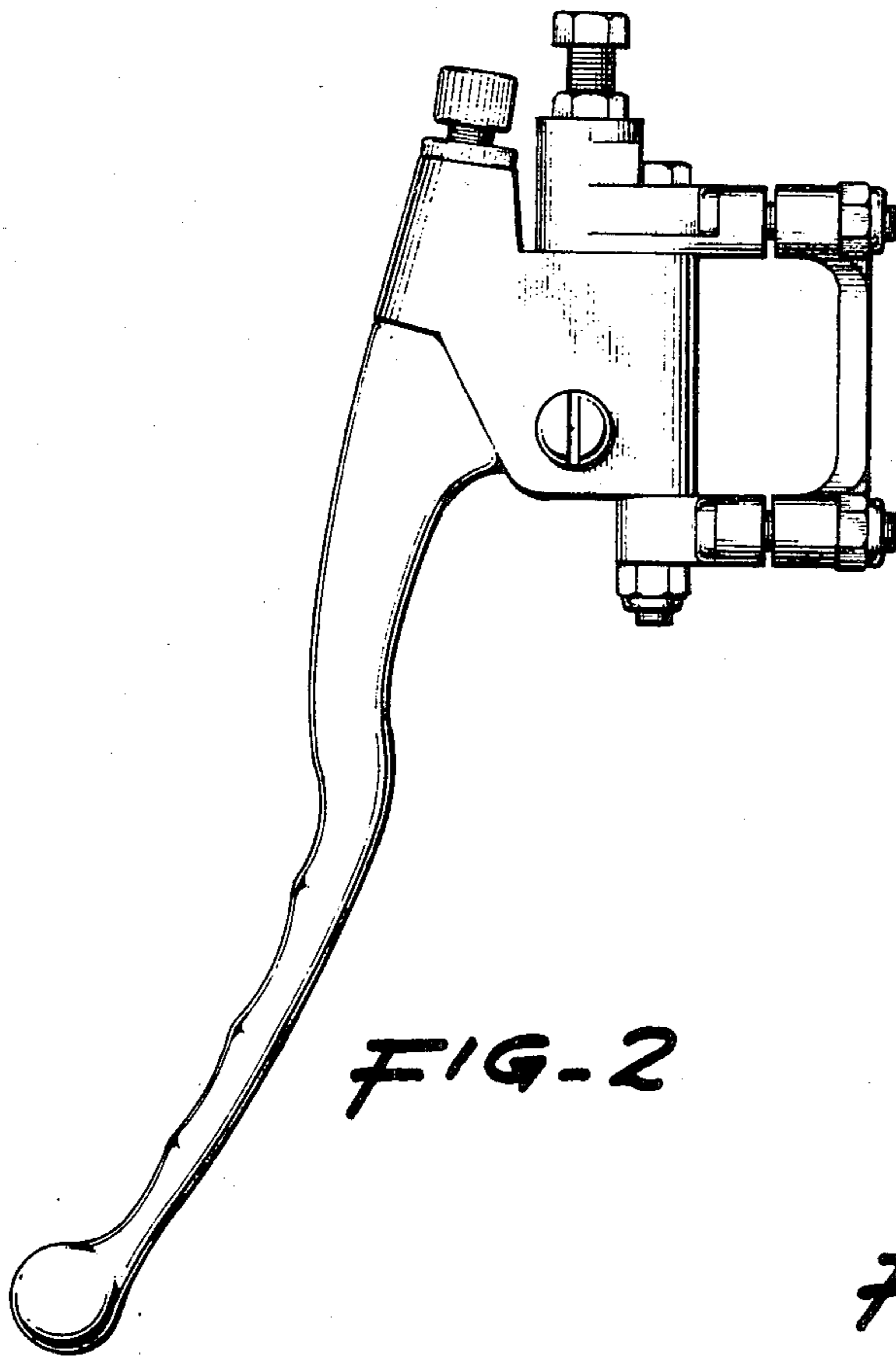


FIG-2

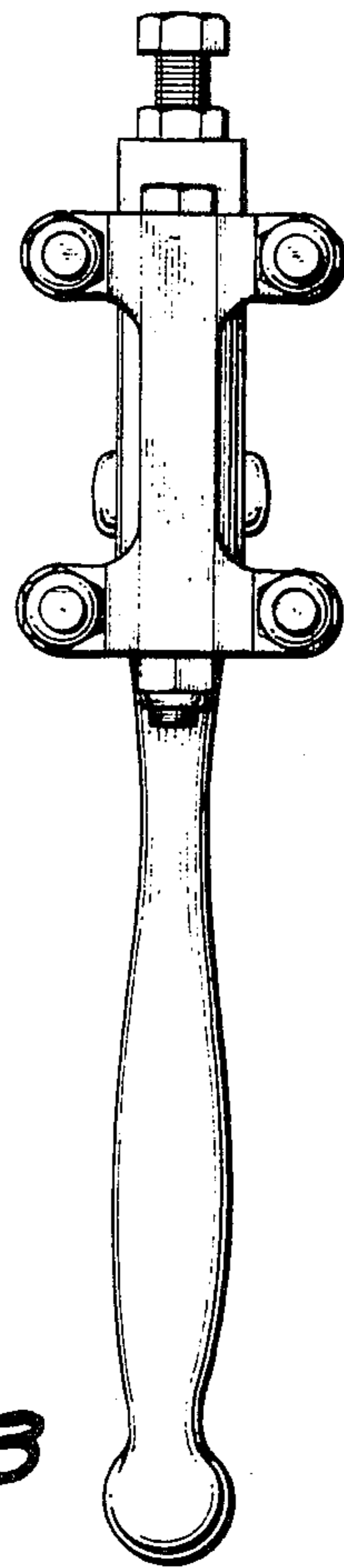


FIG-3

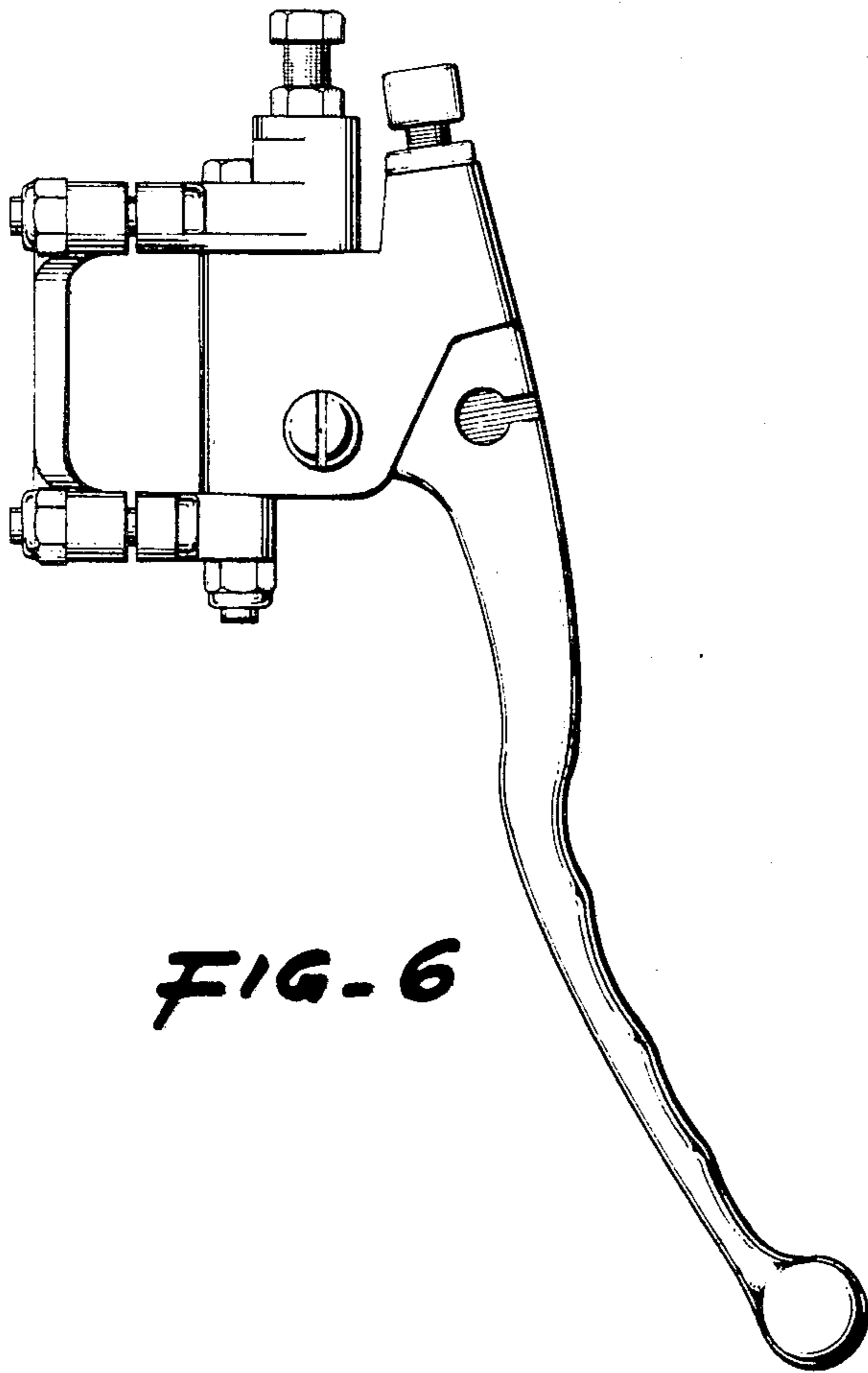


FIG. 6

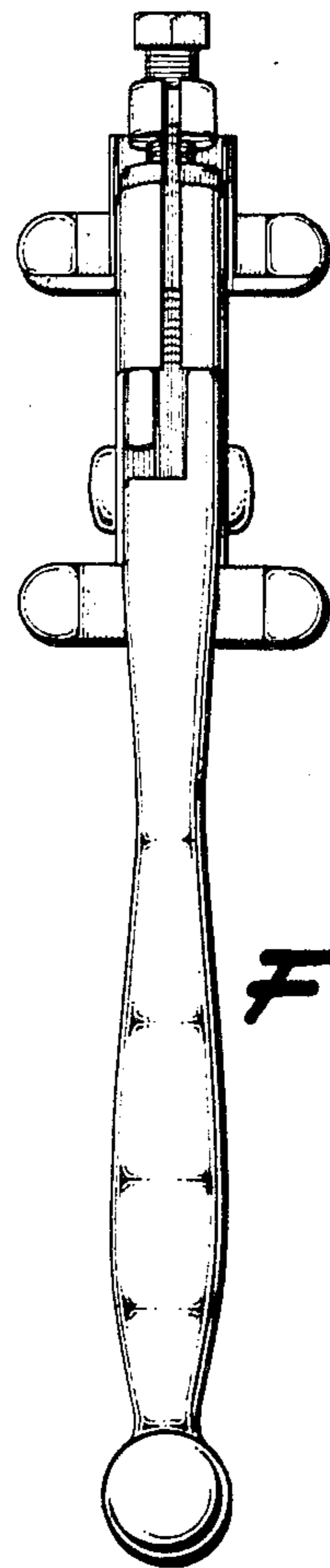


FIG. 5

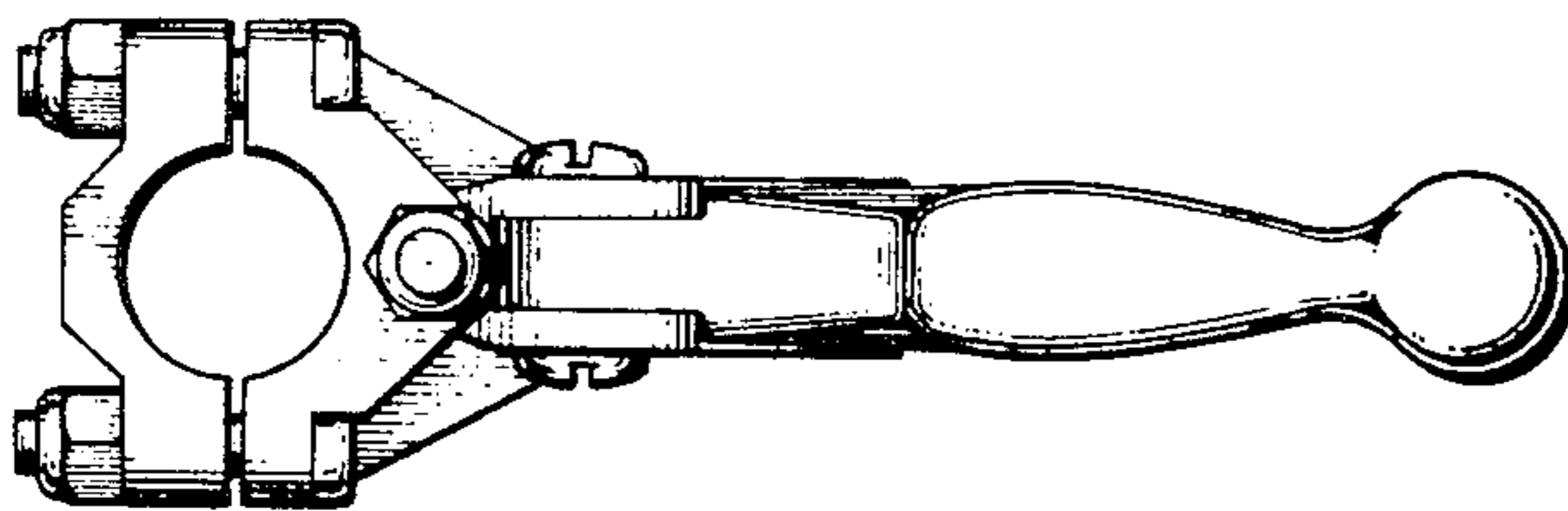


FIG. 7

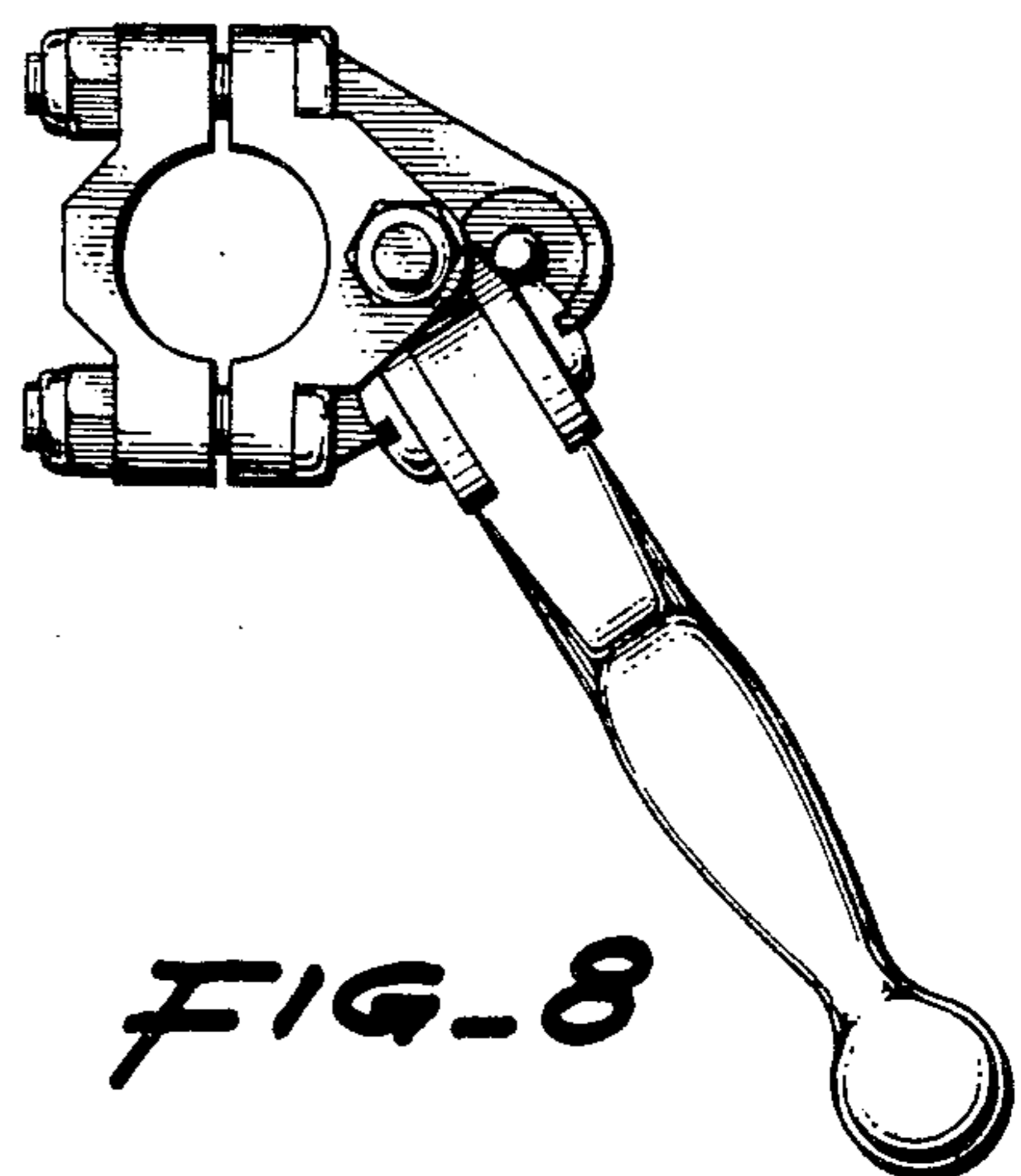


FIG. 8