

[54] VELOCIPEDE

[76] Inventors: Henry T. H. Chen, 375 An-Pin Rd., Tainan; William W. L. Chuang, 2nd Fl., No. 35, 244 Alley, Dun-Hwa N. Rd.; Tsai-Kuan Lin, 6th Fl., 157-1, Yien-Chi St., both of Taipei, all of Taiwan

[\*\*] Term: 14 Years

[21] Appl. No.: 392,627

[22] Filed: Jun. 28, 1982

[52] U.S. Cl. .... D12/107

[58] Field of Search ..... D12/107, 111, 112; 280/7.15, 282, 281 R; D21/80, 81

[56] References Cited

U.S. PATENT DOCUMENTS

D. 206,334 11/1966 Ryan et al. .... D12/107  
1,381,281 6/1921 Clark ..... 280/281 R

OTHER PUBLICATIONS

American Bicyclist & Motorcyclist, 6/68, p. 24, 3--Wheeled Cycle, top left side of page.

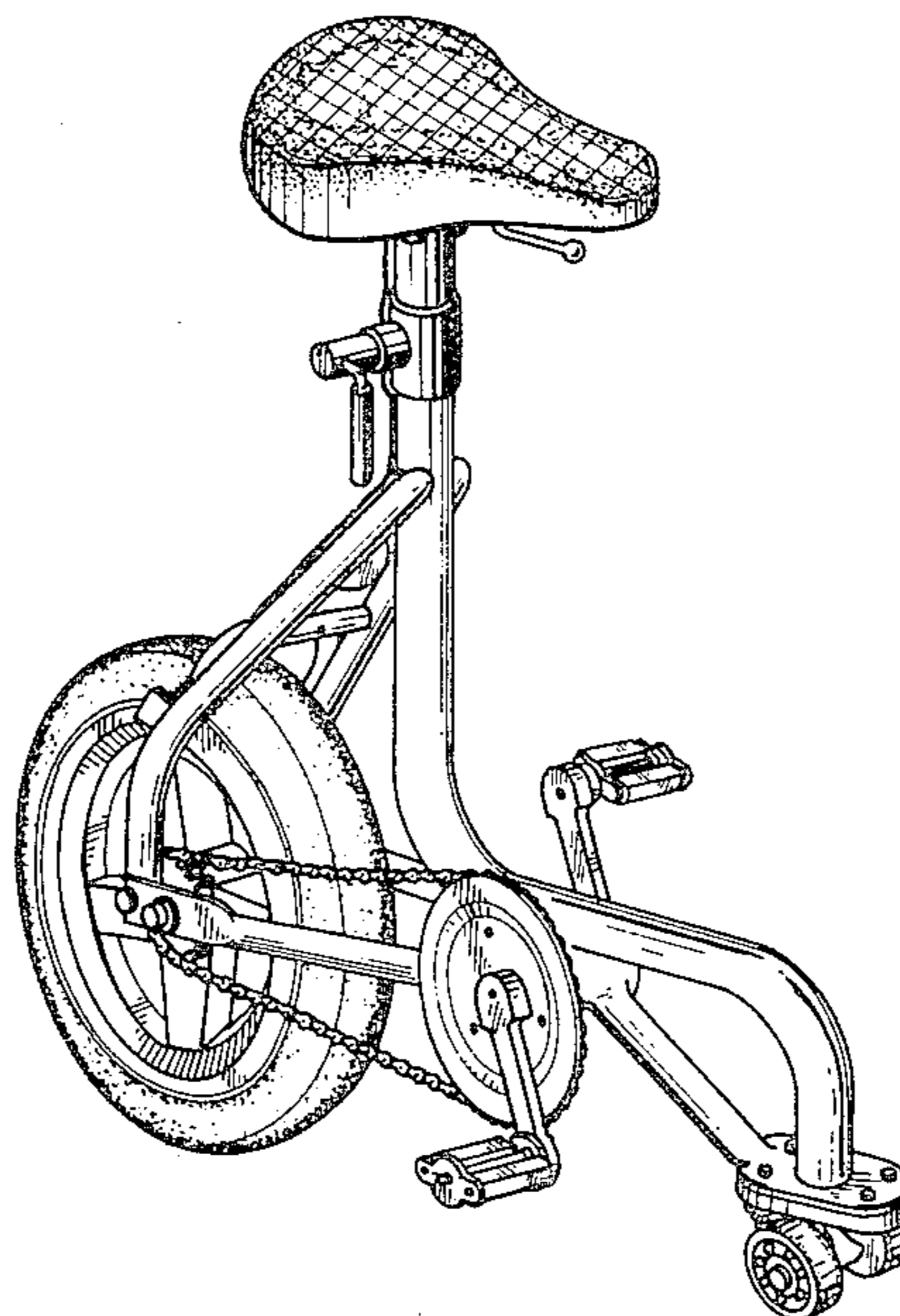
Primary Examiner—James M. Gandy  
Attorney, Agent, or Firm—Armstrong, Nikaido, Marmelstein & Kubovcik

[57] CLAIM

The ornamental design for a velocipede, as shown and described.

DESCRIPTION

FIG. 1 is a front elevational view of a velocipede showing our new design;  
FIG. 2 is a left side elevation view thereof;  
FIG. 3 is a perspective view thereof;  
FIG. 4 is a rear elevation view thereof;  
FIG. 5 is a right side elevation view thereof;  
FIG. 6 is a bottom plan view thereof; and  
FIG. 7 is a top plan view thereof.



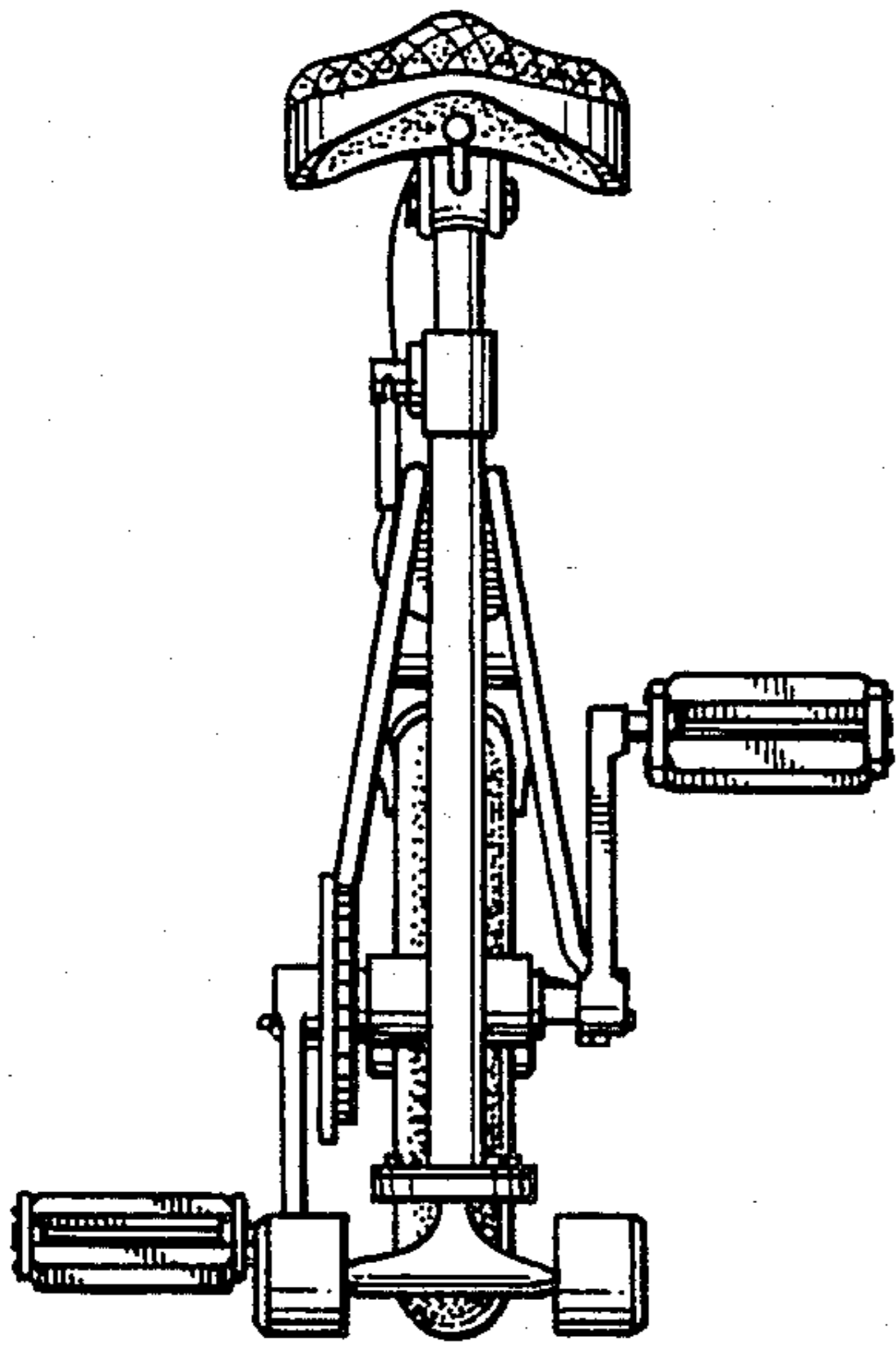


FIG. 1

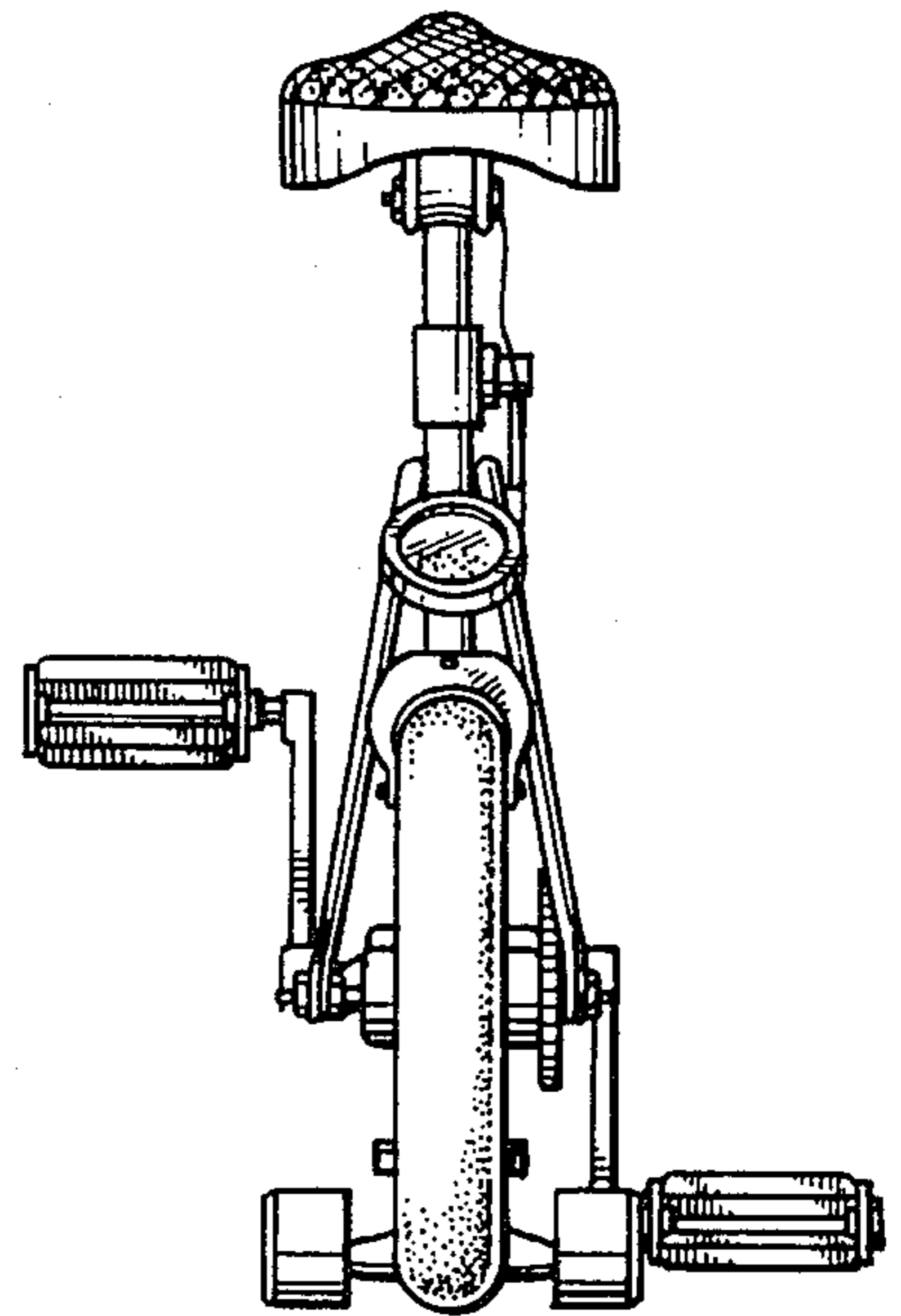


FIG. 4

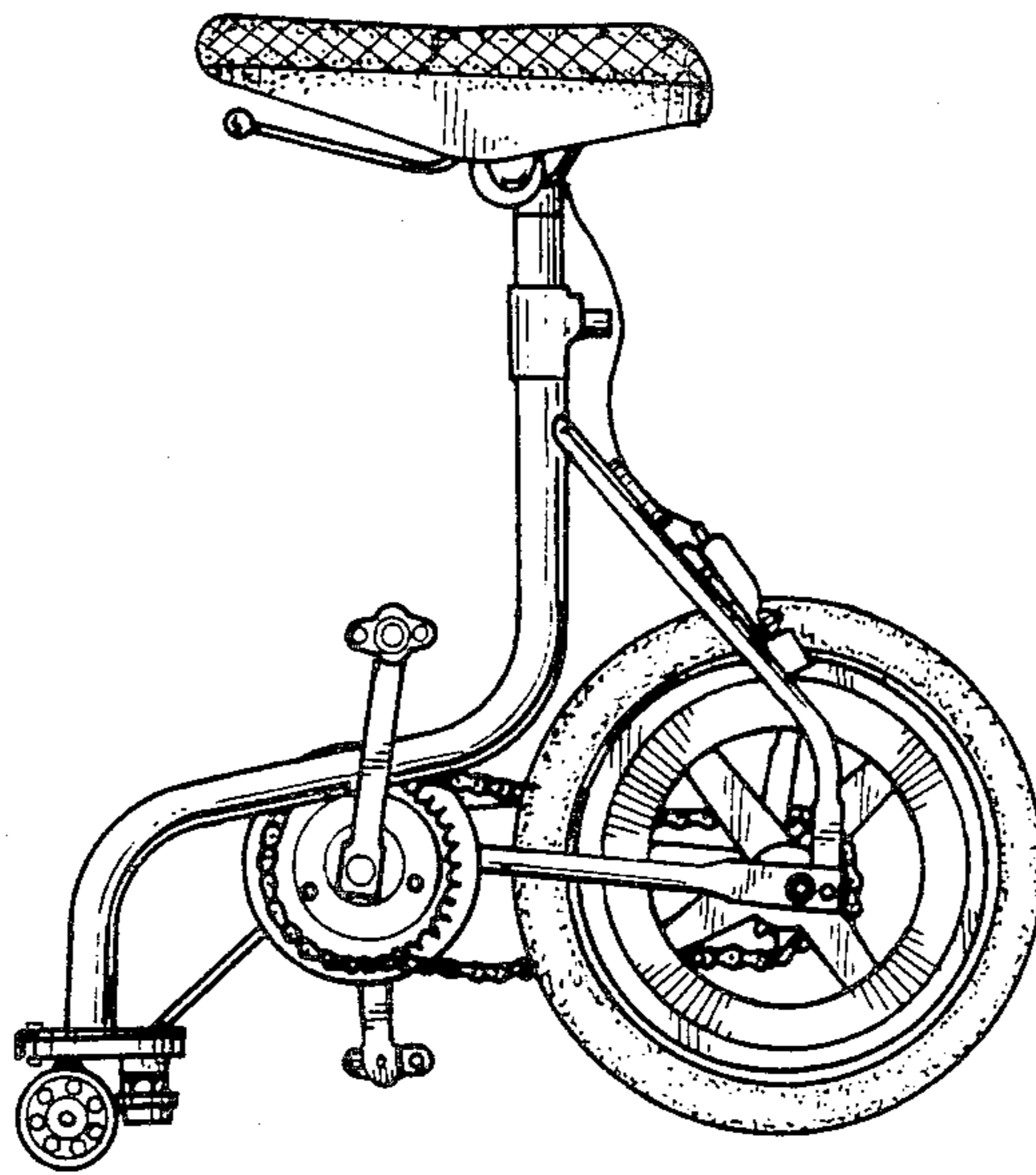


FIG 2

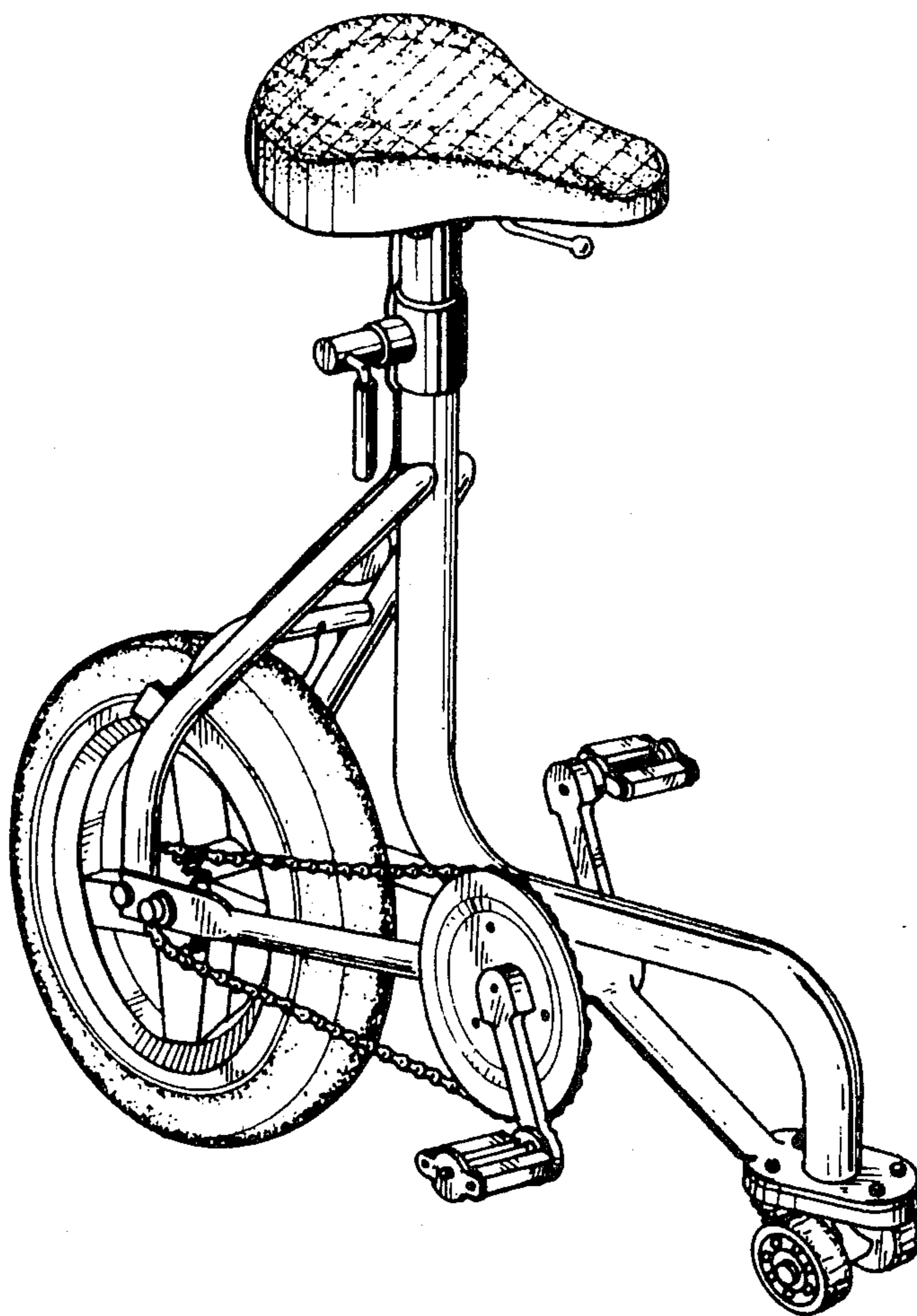


FIG 3

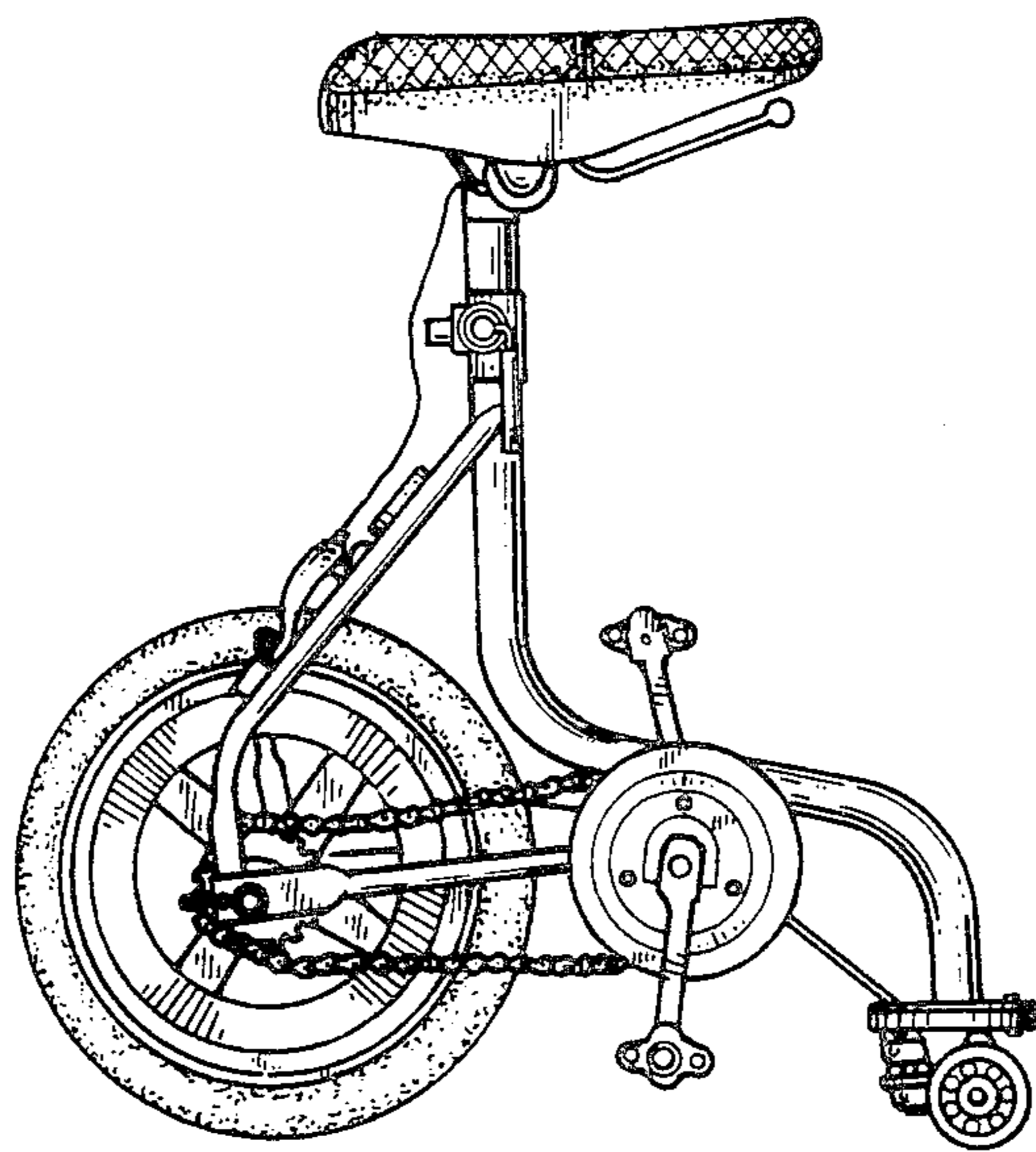


FIG 5



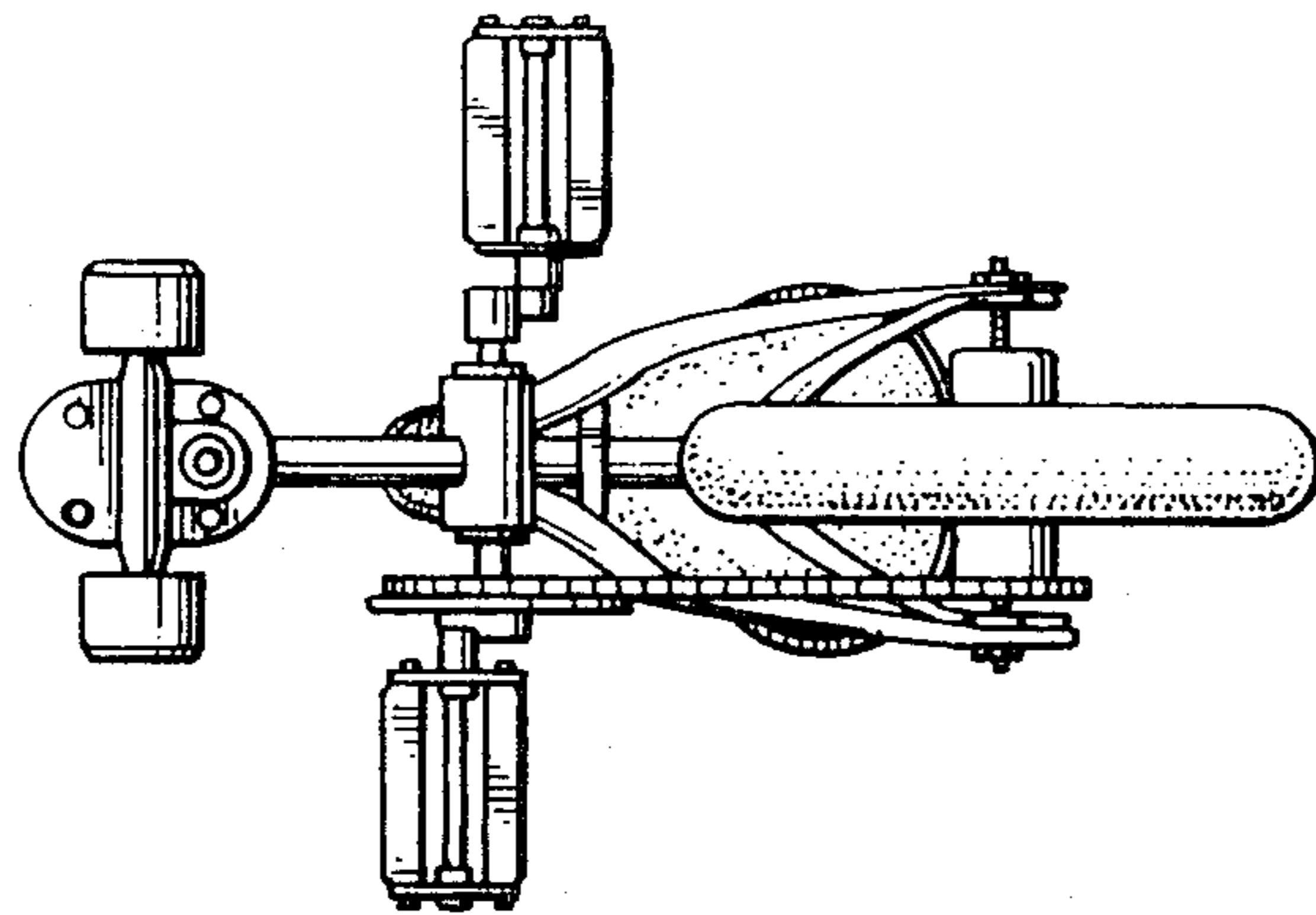


FIG. 6

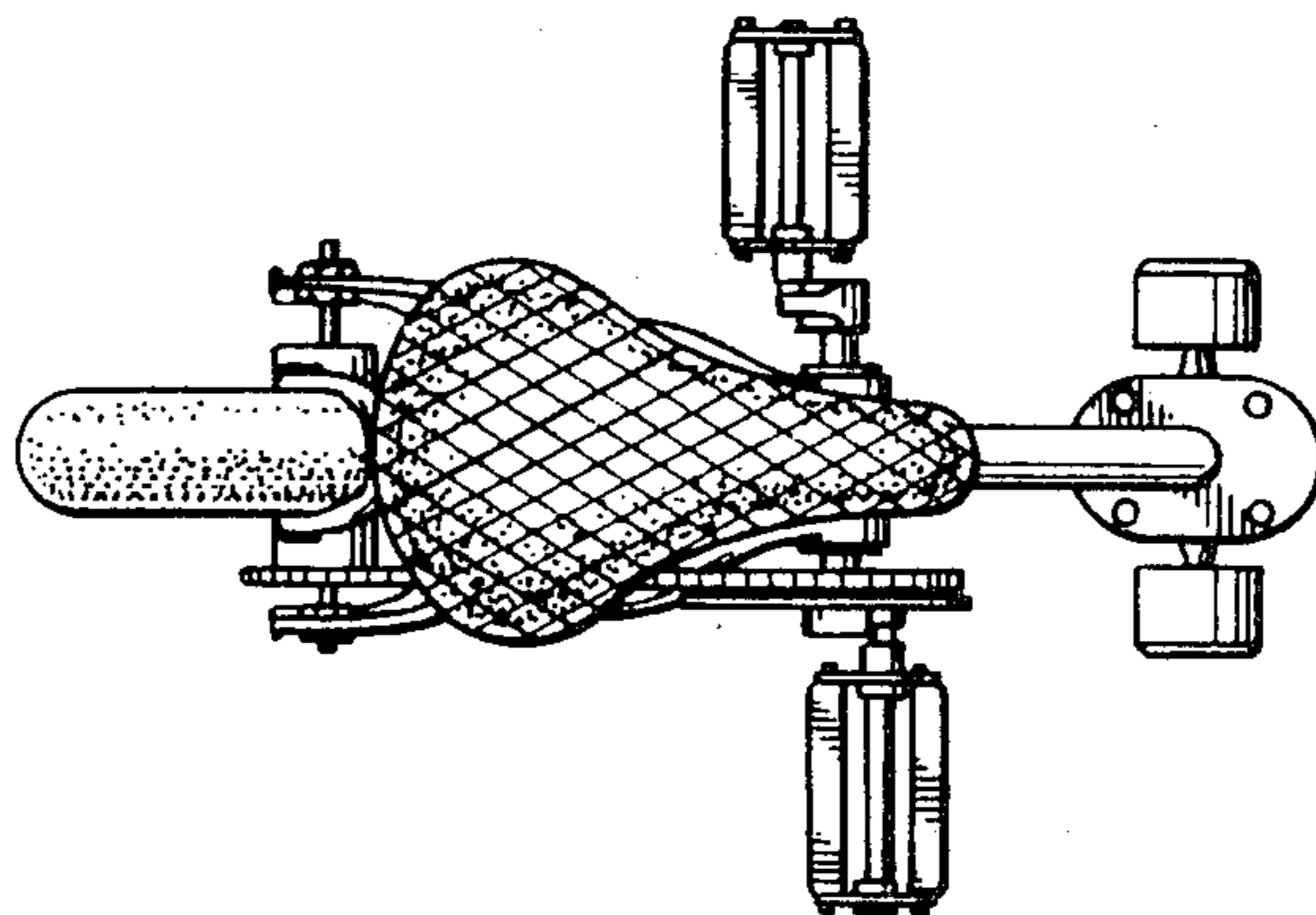


FIG. 7