

[54] **AUTOMOBILE**

[75] **Inventor: Giorgetto Giugiaro, Turin, Italy**

[73] **Assignee: Delorean Motor Company**

[\*\*] **Term: 14 Years**

[21] **Appl. No.: 273,091**

[22] **Filed: Jun. 12, 1981**

[52] **U.S. Cl. .... D12/91**

[58] **Field of Search ..... D12/91, 92; 296/185**

[56] **References Cited**  
**PUBLICATIONS**

Road & Track, 3/73, p. 50, Lamborghini P250 Uracco, top right side of page.

*Primary Examiner*—James M. Gandy  
*Attorney, Agent, or Firm*—David A. Maxon

[57] **CLAIM**

The ornamental design for an automobile, as shown and described.

**DESCRIPTION**

FIG. 1 is a front perspective view of an automobile showing my new design;

FIG. 2 is a rear perspective view thereof;

FIG. 3 is a front elevational view thereof; and

FIG. 4 is a rear elevational view thereof.

The side opposite to that shown in FIGS. 1 and 2 of the drawing is substantially a mirror image thereof.

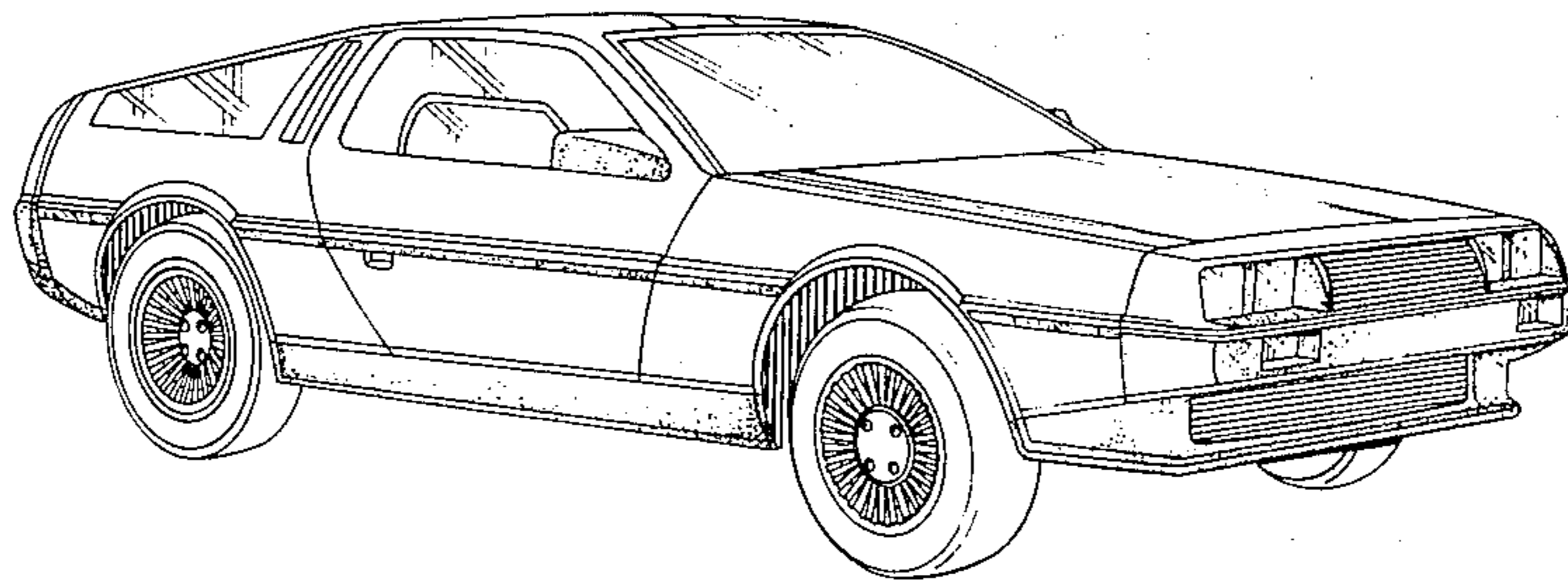


Fig. 1.

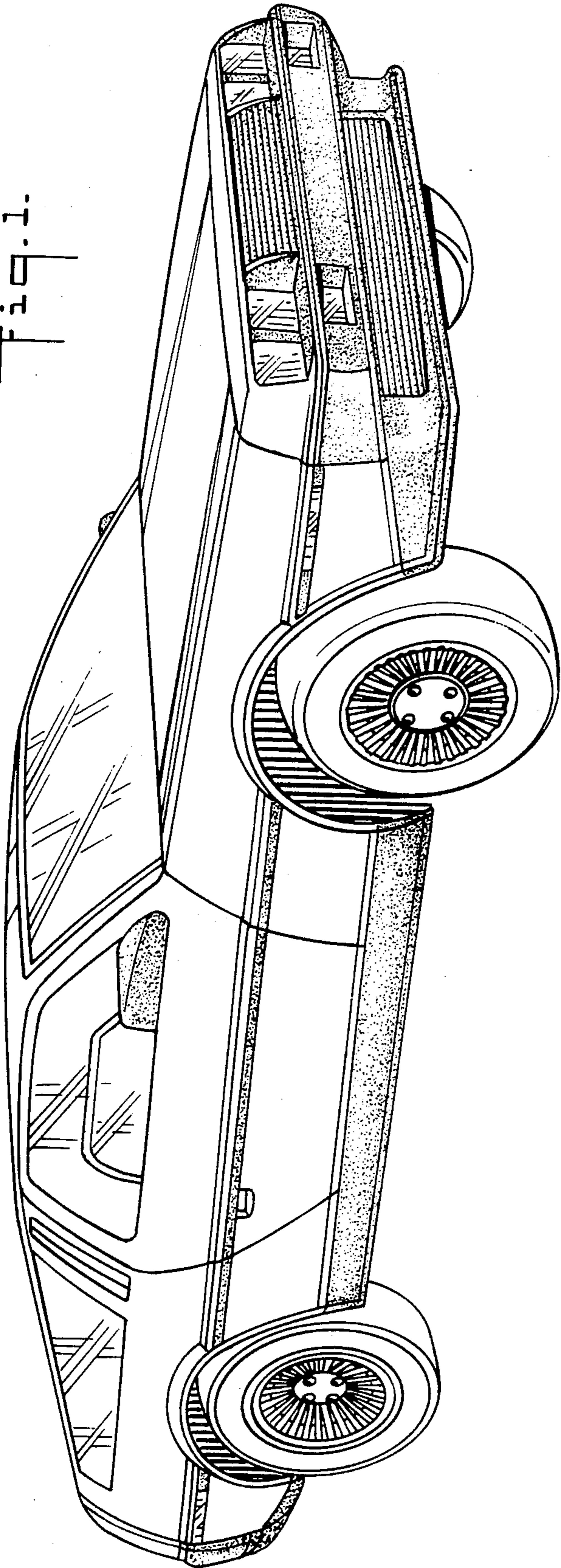


Fig. 2.

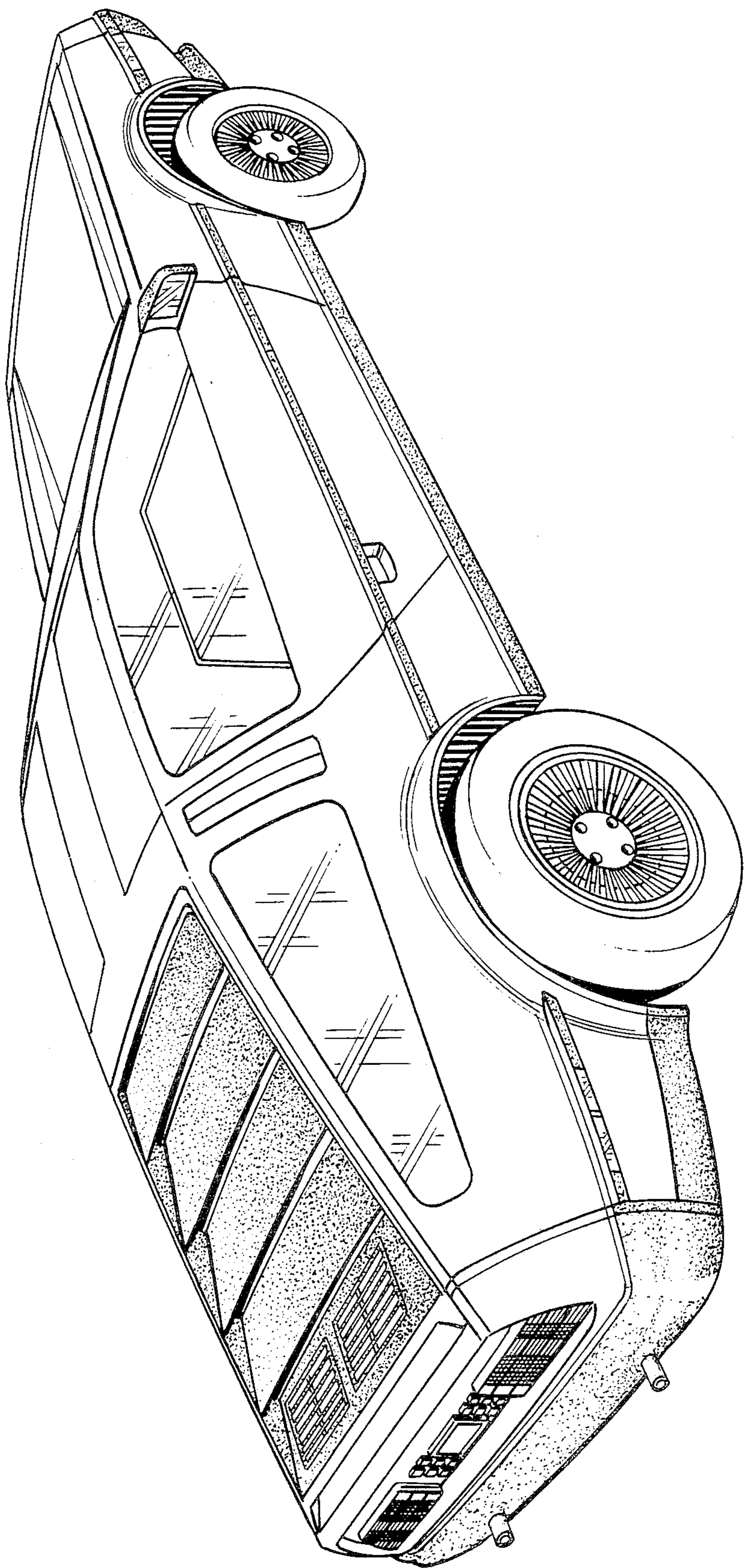


Fig. 3

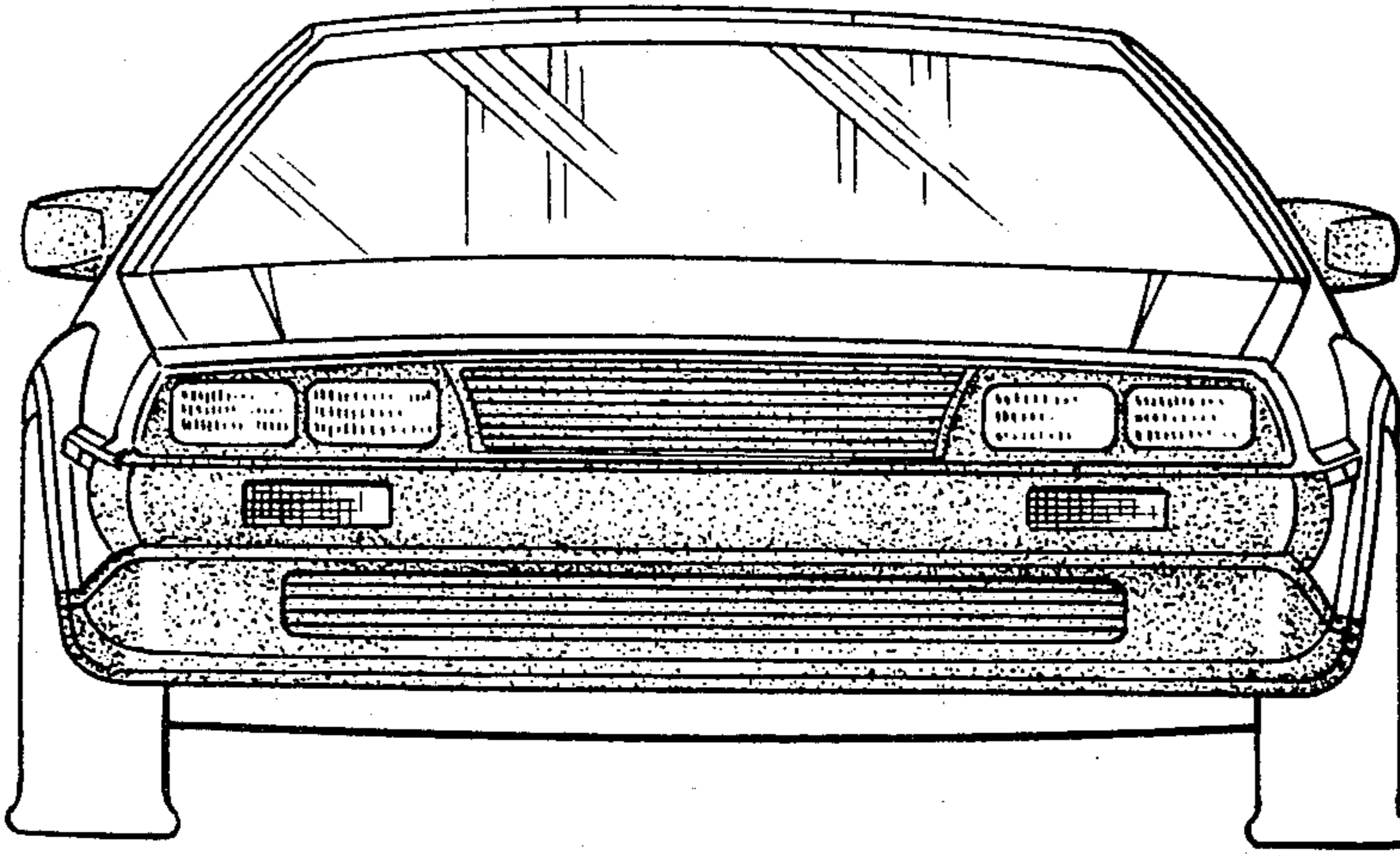


Fig. 4.

