

[54] WATCHCASE

[75] Inventor: Jean G. Malamoud, Saint-Jorioz, France

[73] Assignee: S. T. DuPont, Paris, France

[\*\*] Term: 14 Years

[21] Appl. No.: 520,105

[22] Filed: Aug. 4, 1983

[30] Foreign Application Priority Data

Feb. 8, 1983 [FR] France ..... 830 418

[52] U.S. Cl. .... D10/38

[58] Field of Search ..... D10/30-32, D10/38, 39, 128; 368/276-278, 281-283, 285

[56] References Cited

U.S. PATENT DOCUMENTS

D. 278,036 3/1985 Maruyama ..... D10/30  
4,493,561 1/1985 Bouchet ..... 368/281

OTHER PUBLICATIONS

Seiko Lassale, published in "Man" Magazine of 1983-No. 3, Newsweek of May 16, 1983.

Seiko Quartz, published in "Asia Magazine" of Jan. 16, 1983.

Omega, published in "Trend" of May 12, 1983.

Baume & Mercier, published in "Vogue" (Paris) of Dec./Jan. 1983.

Cartier (Must), published in "Distance" of Mar./Apr. 1983.

Jewelers' Circular Keystone, 2/1983, p. 152-Seiko Lassale at lower right.

Primary Examiner—Louis S. Zarfes  
Attorney, Agent, or Firm—Raymond J. De Vellis

[57] CLAIM

The ornamental design for a watchcase, as shown and described.

DESCRIPTION

FIG. 1 is a perspective view of a watchcase showing my new design;

FIG. 2 is a top plan view thereof;

FIG. 3 is a bottom plan view thereof;

FIG. 4 is a right side view thereof;

FIG. 5 is a left side view thereof;

FIG. 6 is a side view along line 6—6 of FIG. 2;

FIG. 7 is a side view along line 7—7 of FIG. 2;

FIG. 8 is a perspective view of a watchcase showing a modified form of my new design where the surfaces are shaded to indicate particular colors;

FIG. 9 is a top plan view thereof;

FIG. 10 is a bottom plan view thereof;

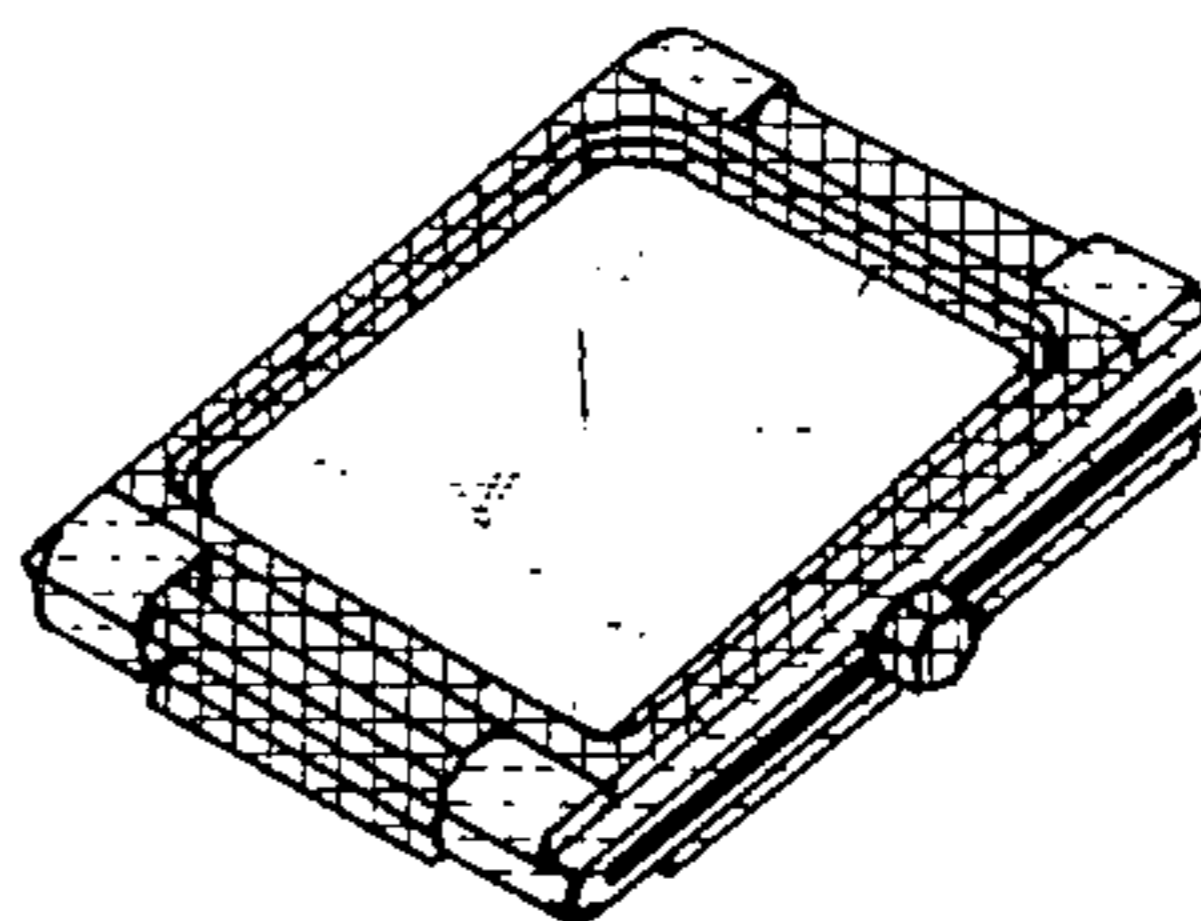
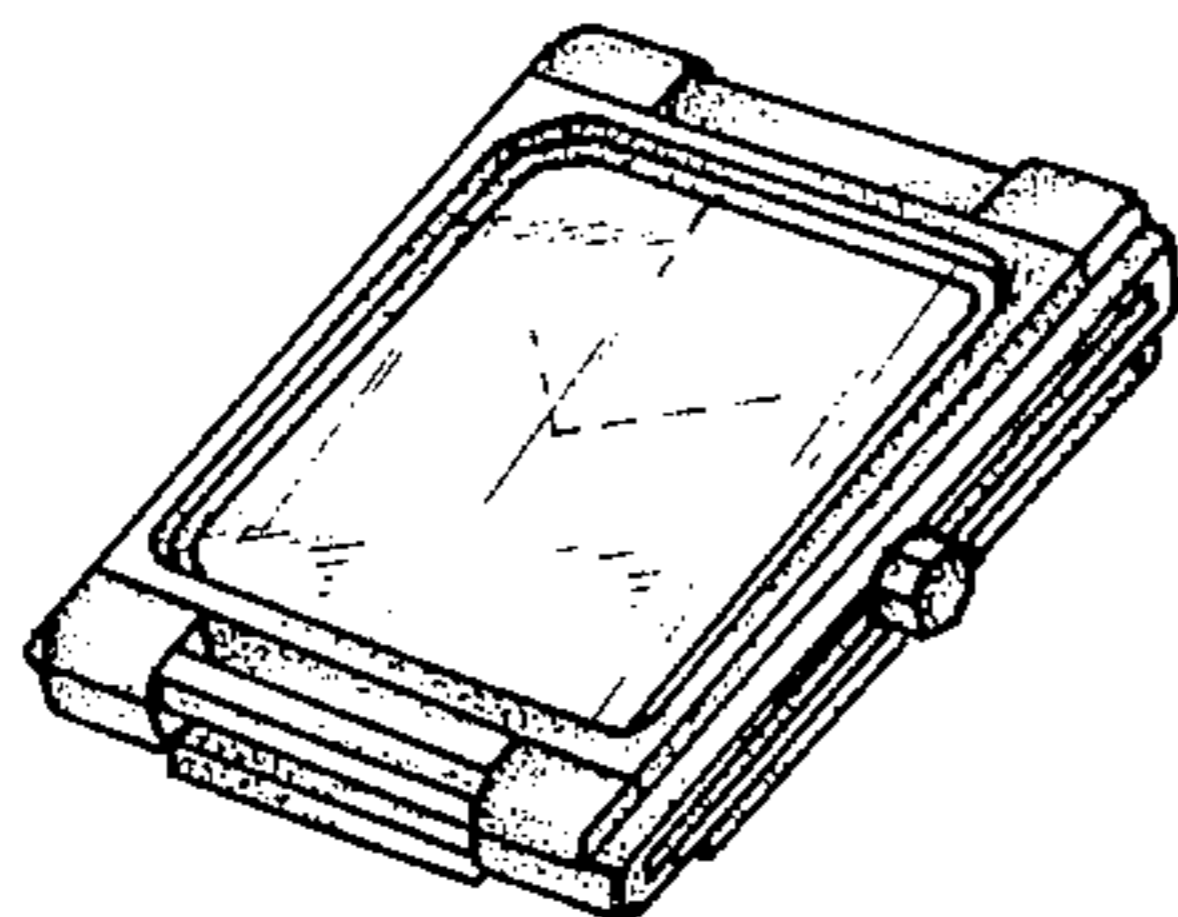
FIG. 11 is a right side view thereof;

FIG. 12 is a left side view thereof;

FIG. 13 is a side view along line 13—13 of FIG. 2; and

FIG. 14 is a side view along line 14—14 of FIG. 2.

The broken line showing of watch hands is for illustrative purposes only and forms no part of the claimed design.



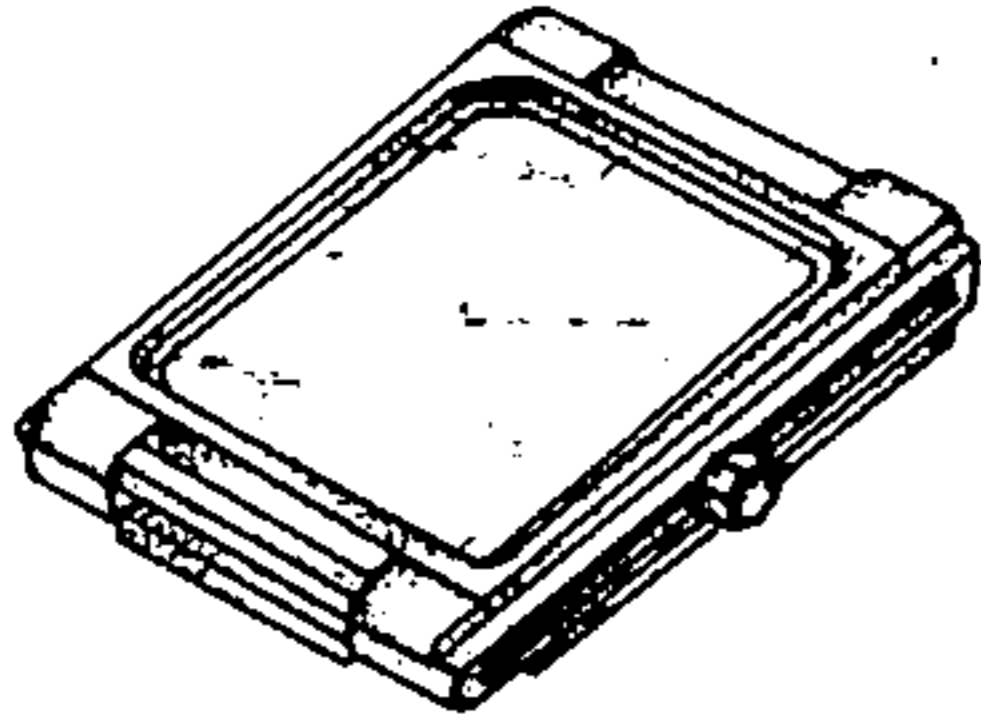


FIG. 1

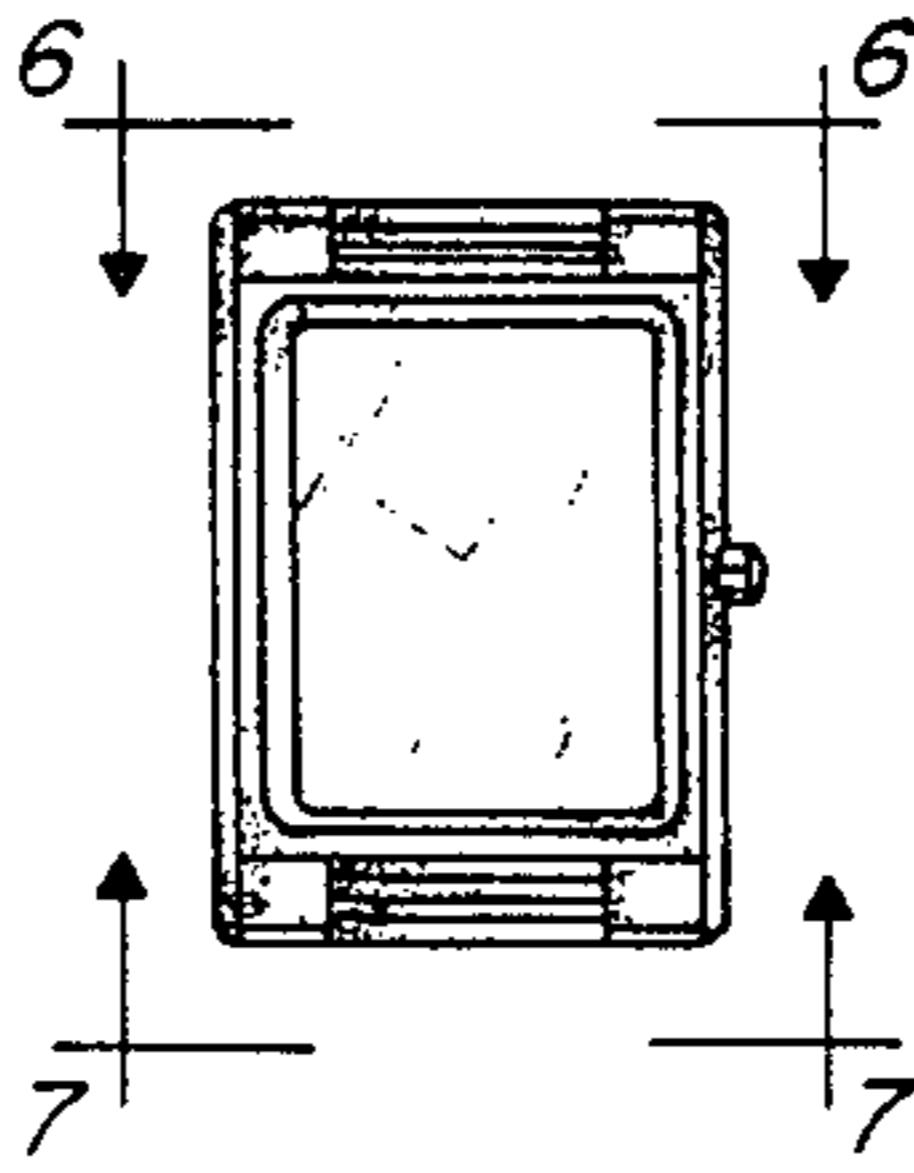


FIG. 2

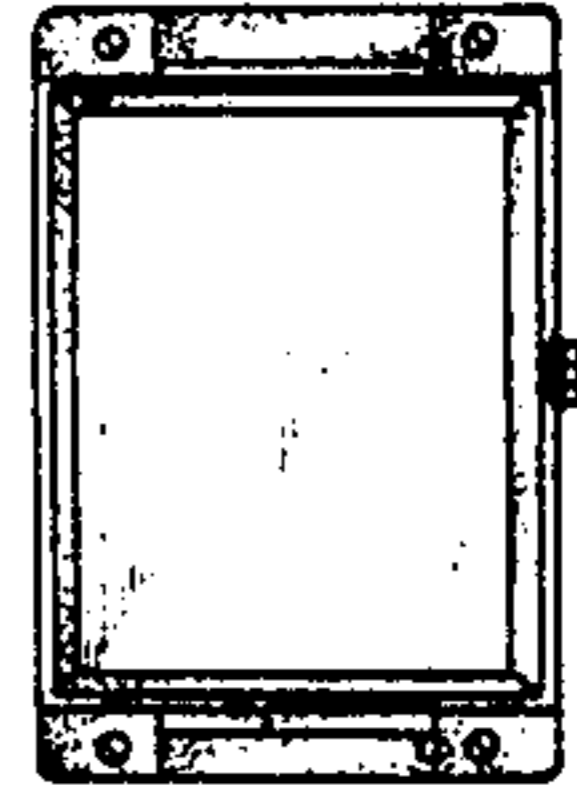


FIG. 3



FIG. 4



FIG. 5



FIG. 6



FIG. 7

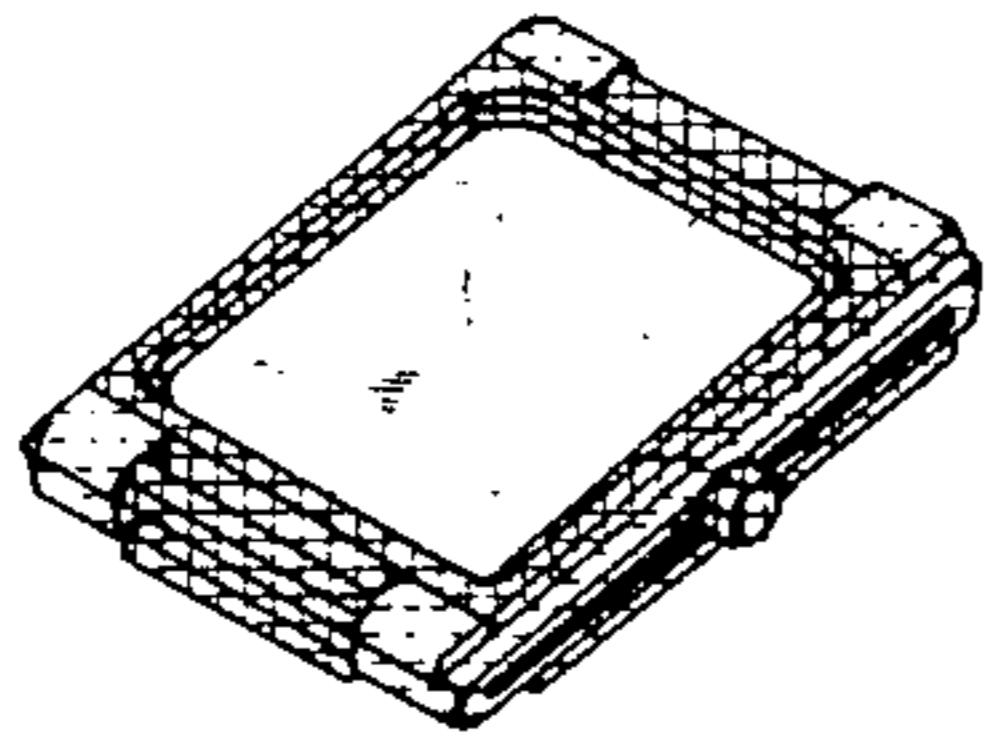


FIG. 8

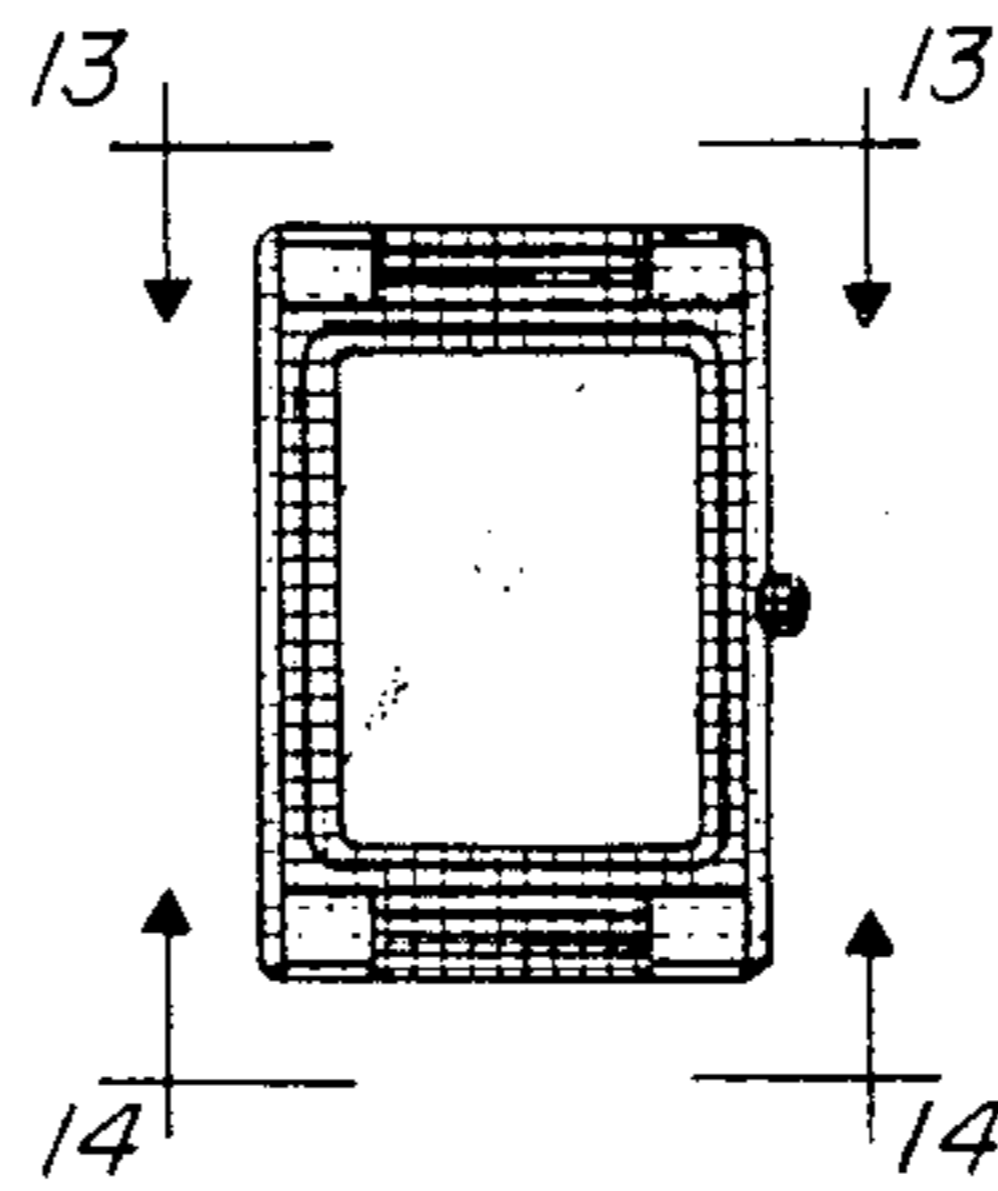


FIG. 9

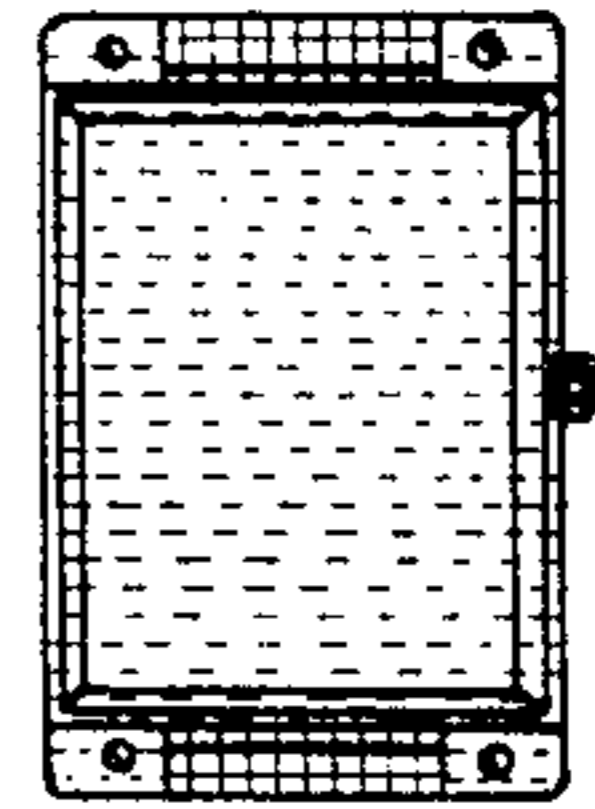


FIG. 10



FIG. 11



FIG. 12



FIG. 13



FIG. 14