

[54] CLOCK WITH GOLF CLUB

D. 279,557 7/1985 McJunkin D11/157

[76] Inventor: Marcel Fontannaz, Echandens, Switzerland

[**] Term: 14 Years

[21] Appl. No.: 574,750

[22] Filed: Jan. 30, 1984

[30] Foreign Application Priority Data

Aug. 22, 1983 [XH] Hague DM/002-808

[52] U.S. Cl. D10/6; D11/157

[58] Field of Search D10/6-9, D10/15, 24-26, 20, 122-126; D11/157

[56] References Cited

U.S. PATENT DOCUMENTS

- D. 174,195 3/1955 Reising D11/157
- D. 175,465 8/1955 Gilson D10/6 X
- D. 243,511 3/1977 O'Brien D10/8
- D. 255,239 6/1980 Thomas D11/157 X
- D. 270,899 10/1983 Huang D10/6 X

OTHER PUBLICATIONS

Jeweler's Circular-Keystone 8/66-p. 56-Golf Club Clock at bottom-right.

Sport's Novelties -Catalog-4/8/71-p. 21-Golf Ashtray.

Primary Examiner—Nelson C. Holtje

Attorney, Agent, or Firm—McGlew and Tuttle

[57] CLAIM

The ornamental design for a clock with golf club, as shown and described.

DESCRIPTION

FIG. 1 is a front perspective view of a clock with golf club showing my new design;

FIG. 2 is a rear perspective view thereof;

FIG. 3 is a top-left perspective view thereof;

FIG. 4 is a left side perspective view thereof;

FIG. 5 is a right side perspective view thereof.

The broken line showings on the front of the clock are environmental only and form no part of the claimed design.



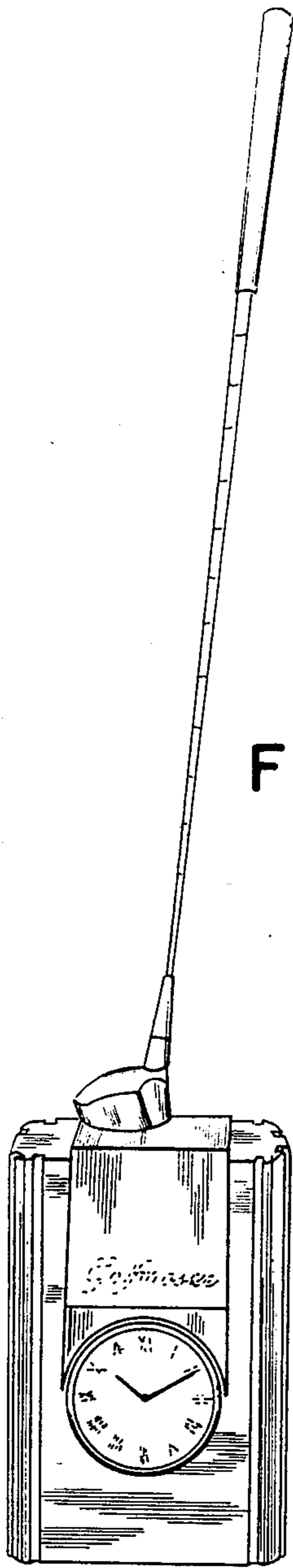


FIG. 1

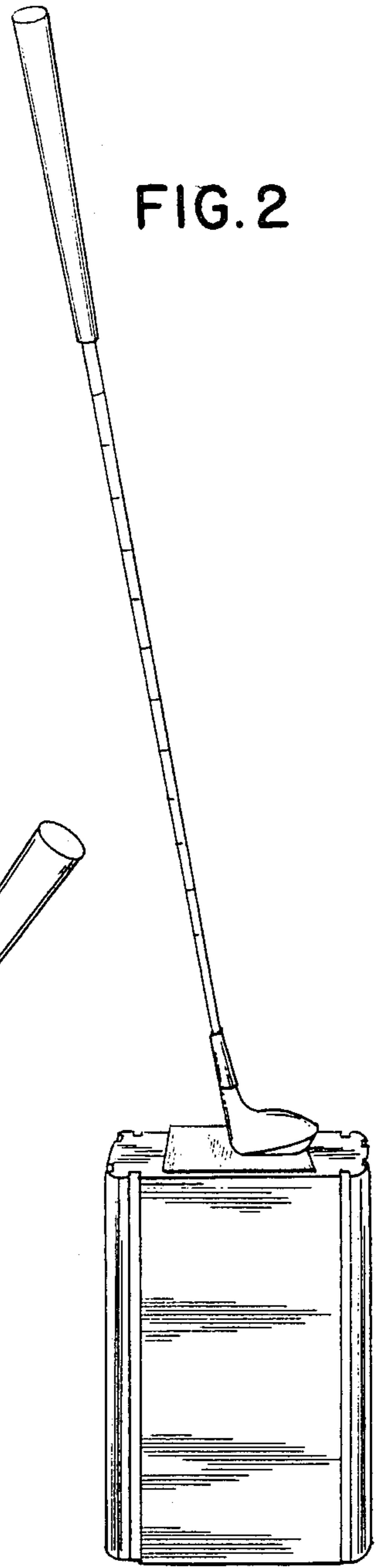


FIG. 2

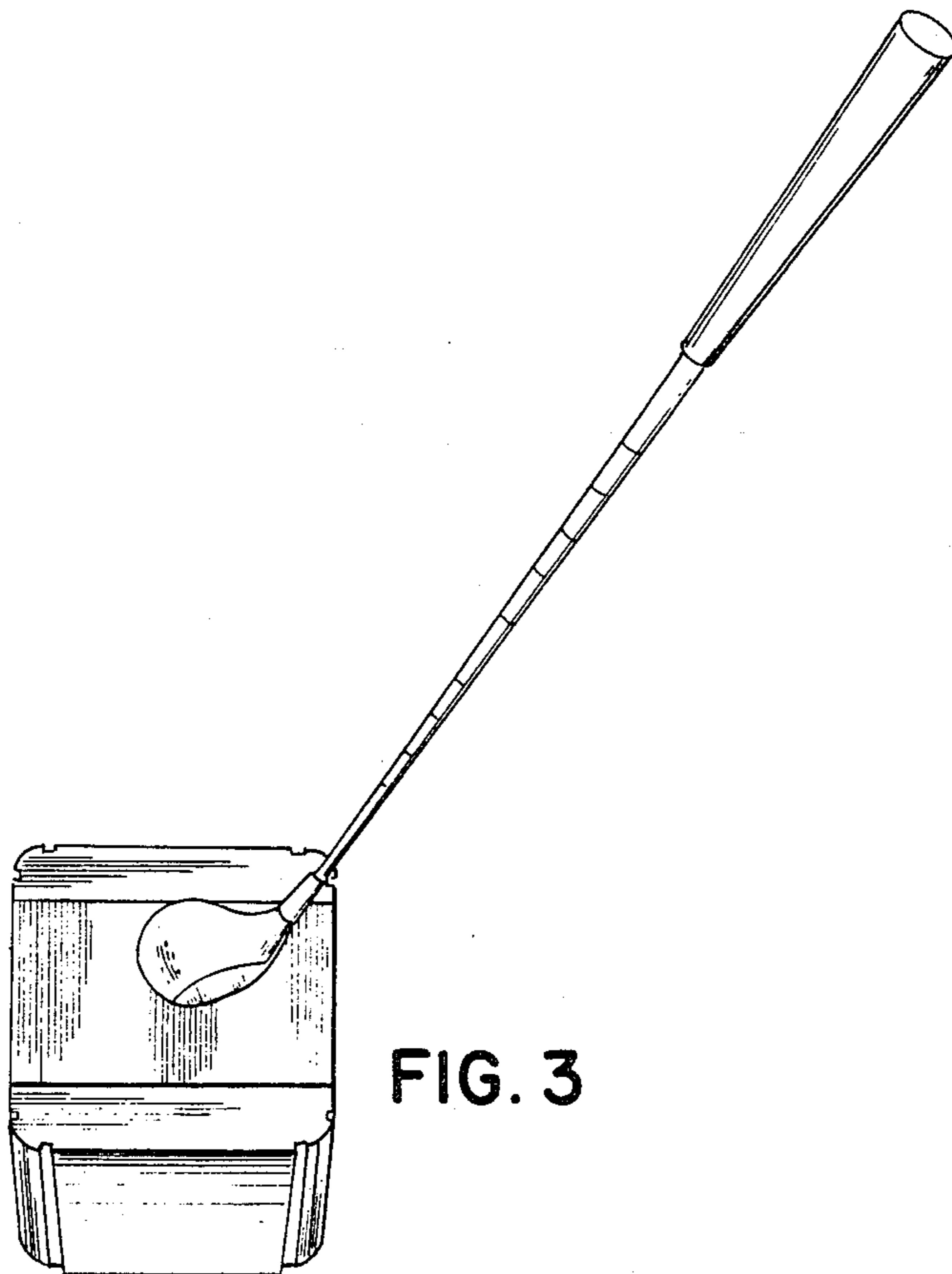


FIG. 3

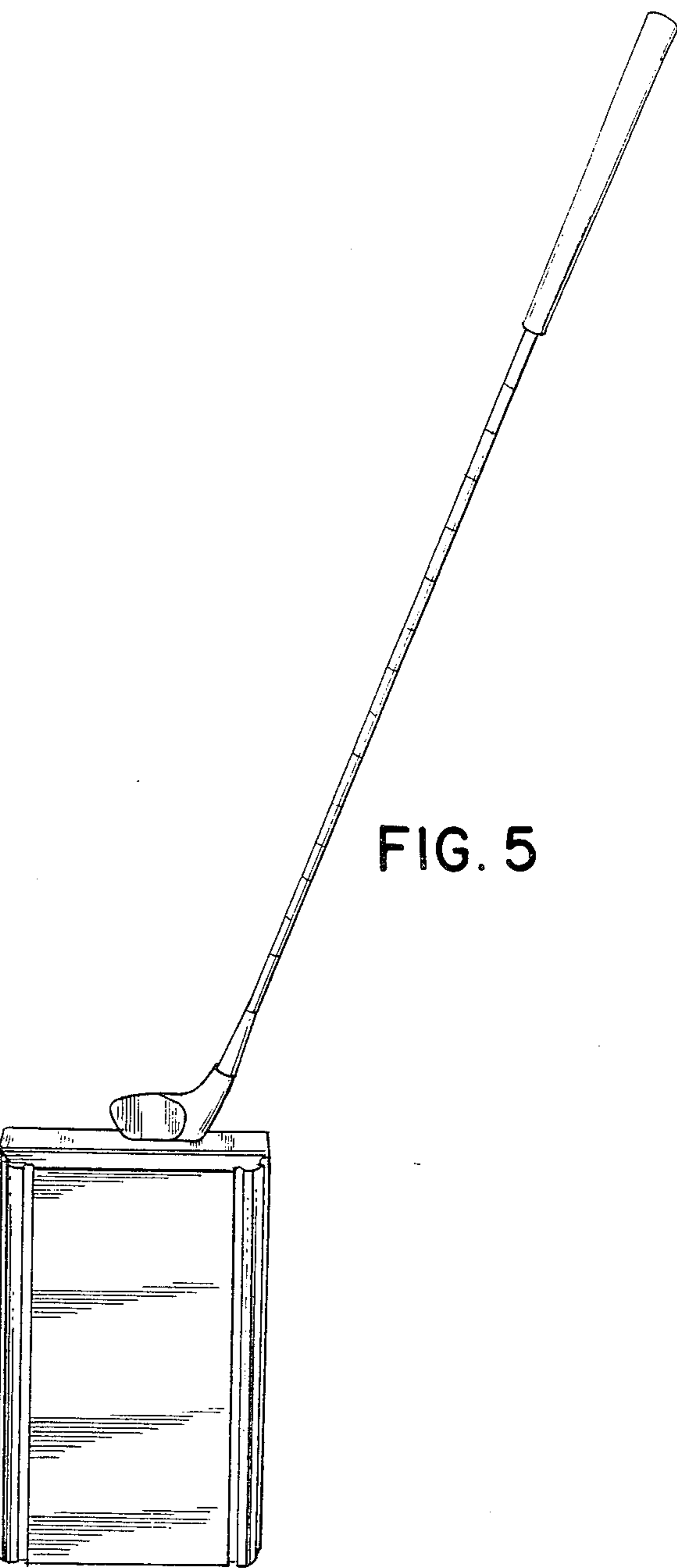
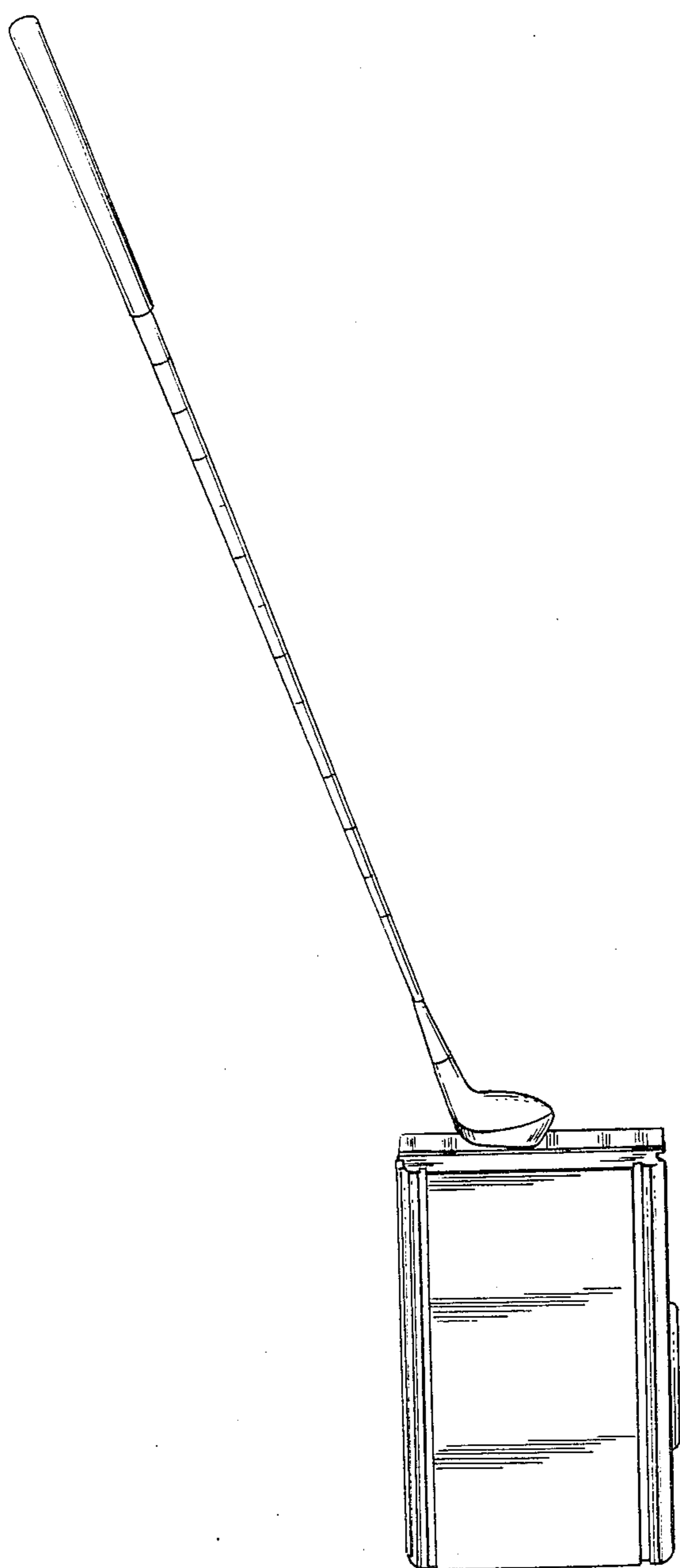


FIG. 4

FIG. 5