

[54] ELECTRIC CAN OPENER

[75] Inventors: Osamu Yamamoto, Nagoya; Senichiro Norizuki, Aichi, both of Japan

[73] Assignee: Kabushikikaisha Aichidenkikosakusho, Japan

[**] Term: 14 Years

[21] Appl. No.: 536,422

[22] Filed: Sep. 27, 1983

[52] U.S. Cl. D8/36

[58] Field of Search D8/36, 37, 34, 35; 30/400, 403, 404, 410, 416, 419, 420, 421, 424

[56] References Cited

U.S. PATENT DOCUMENTS

D. 247,466	3/1978	Thomas	D8/36 X
3,159,912	12/1964	Posener	30/403
3,254,406	6/1966	Hubrich	30/410 X
3,585,717	6/1971	Bielak et al.	30/424 X
3,858,313	1/1975	Yamaguchi	30/404

OTHER PUBLICATIONS

Home Furnishings Daily, 1/76, p. 30, Section Three, Can Openers, bottom left.
Home Furnishings Daily, 1/74, p. 19, Can Opener, bottom right.

Primary Examiner—Bernard Ansher
Assistant Examiner—Terry Pfeffer
Attorney, Agent, or Firm—William A. Drucker

[57] CLAIM

The ornamental design for an electric can opener, as shown.

DESCRIPTION

FIG. 1 is a top, front, right side perspective view of an electric can opener showing our new design; FIG. 2 is a bottom, rear, left side perspective view thereof; FIG. 3 is a top plan view thereof; FIG. 4 is a bottom plan view thereof; FIG. 5 is a right side elevation thereof; FIG. 6 is a left side elevation thereof; FIG. 7 is a rear elevation thereof; and FIG. 8 is a front elevation thereof.

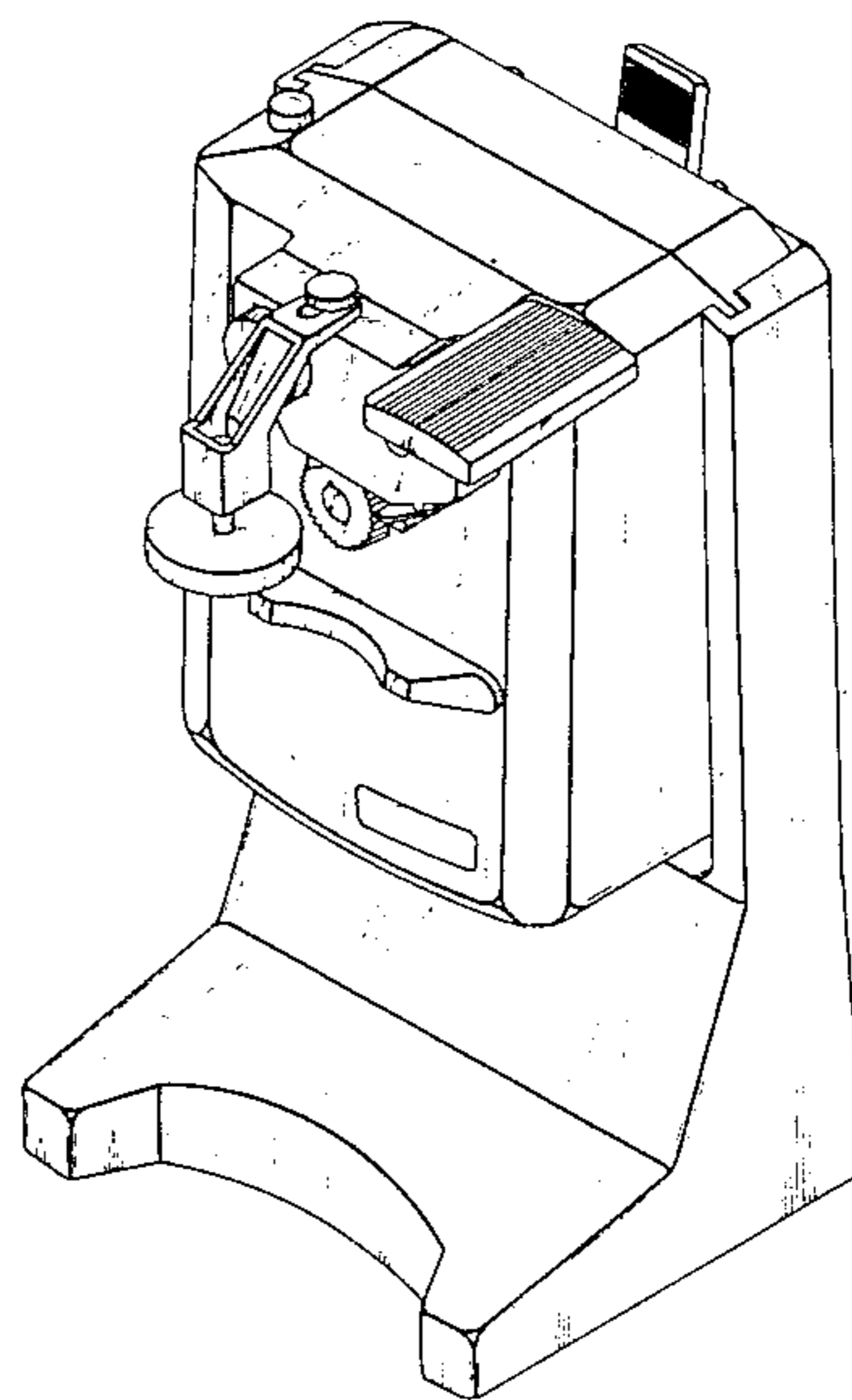
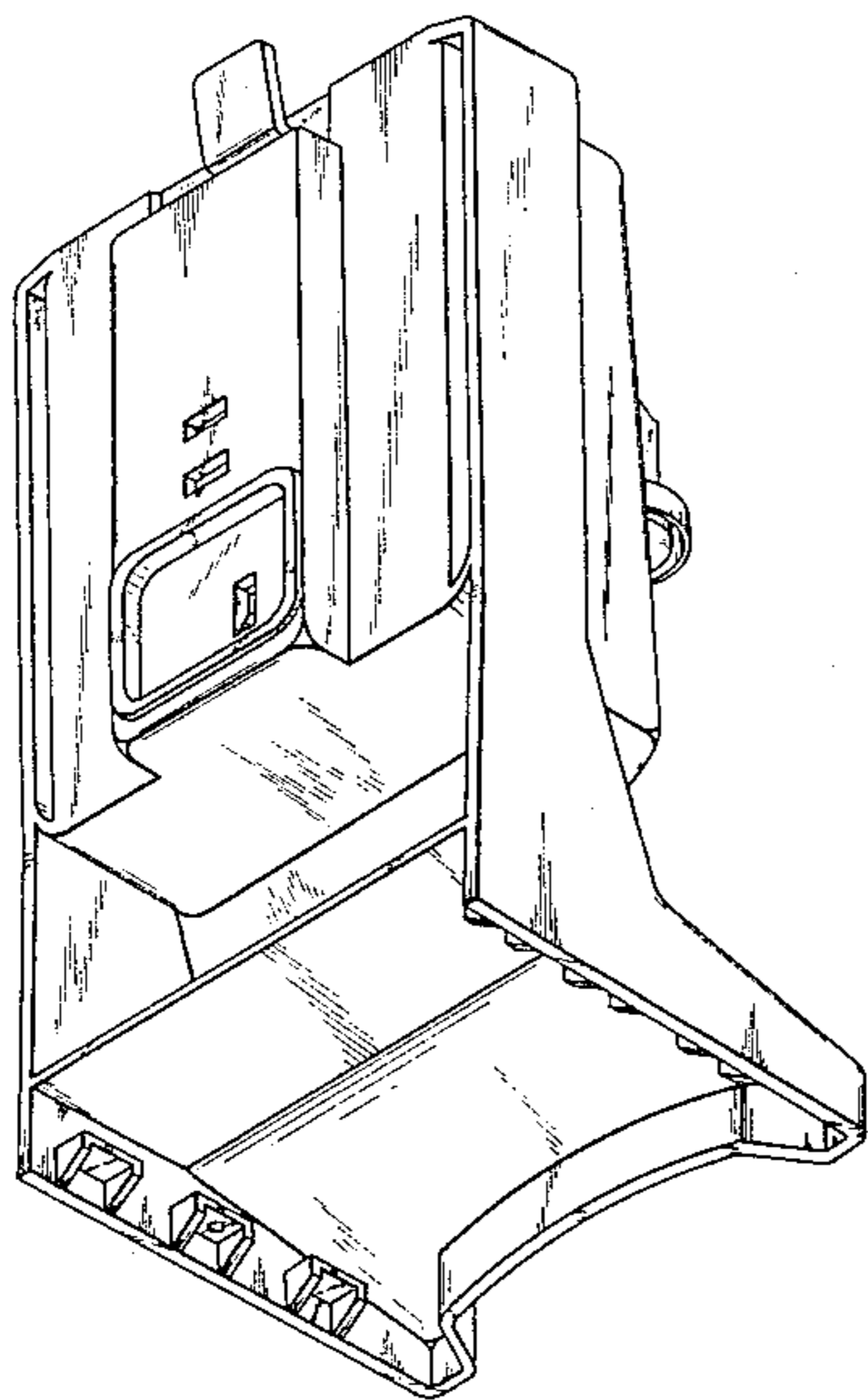


FIG. 1

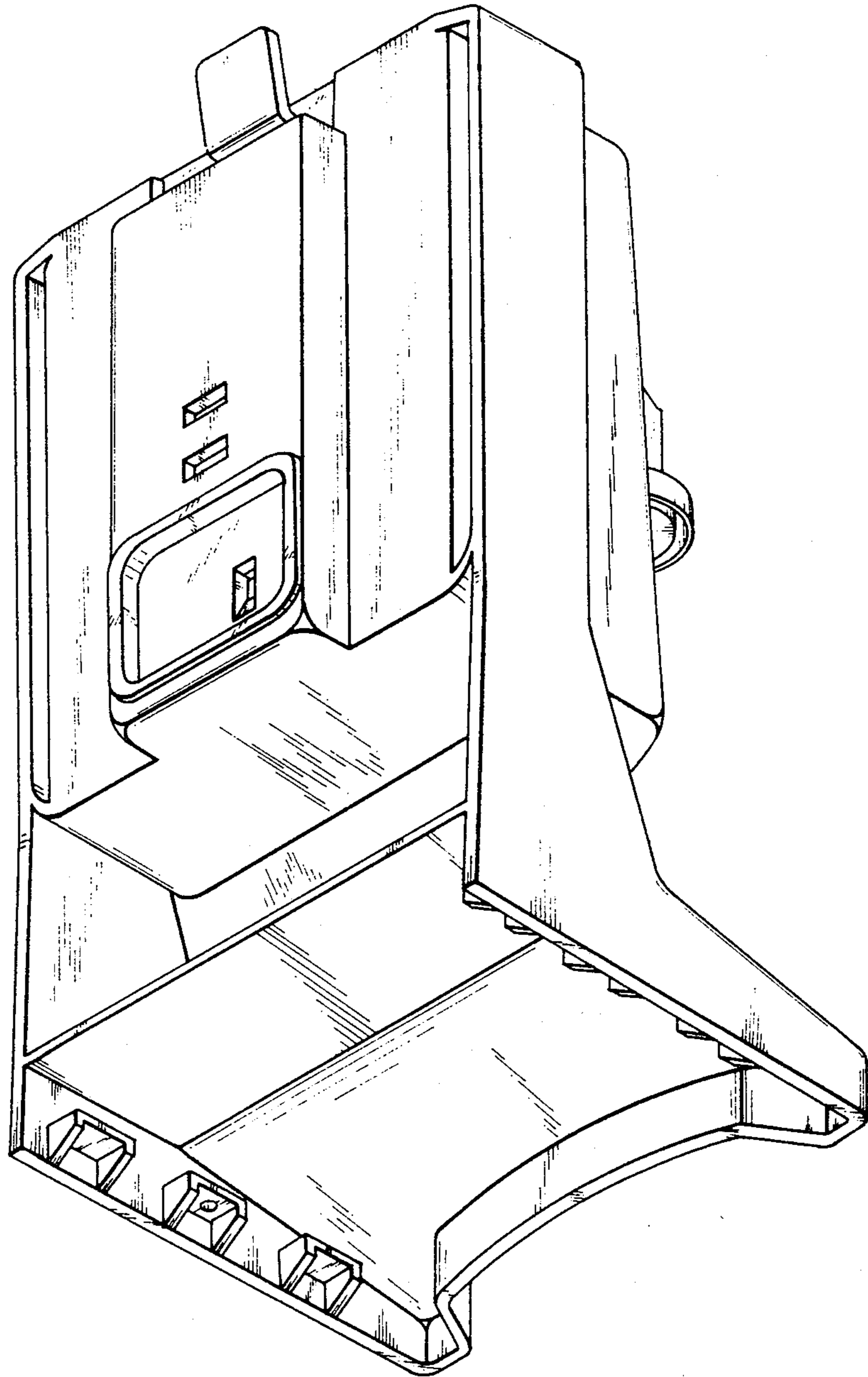


FIG. 2

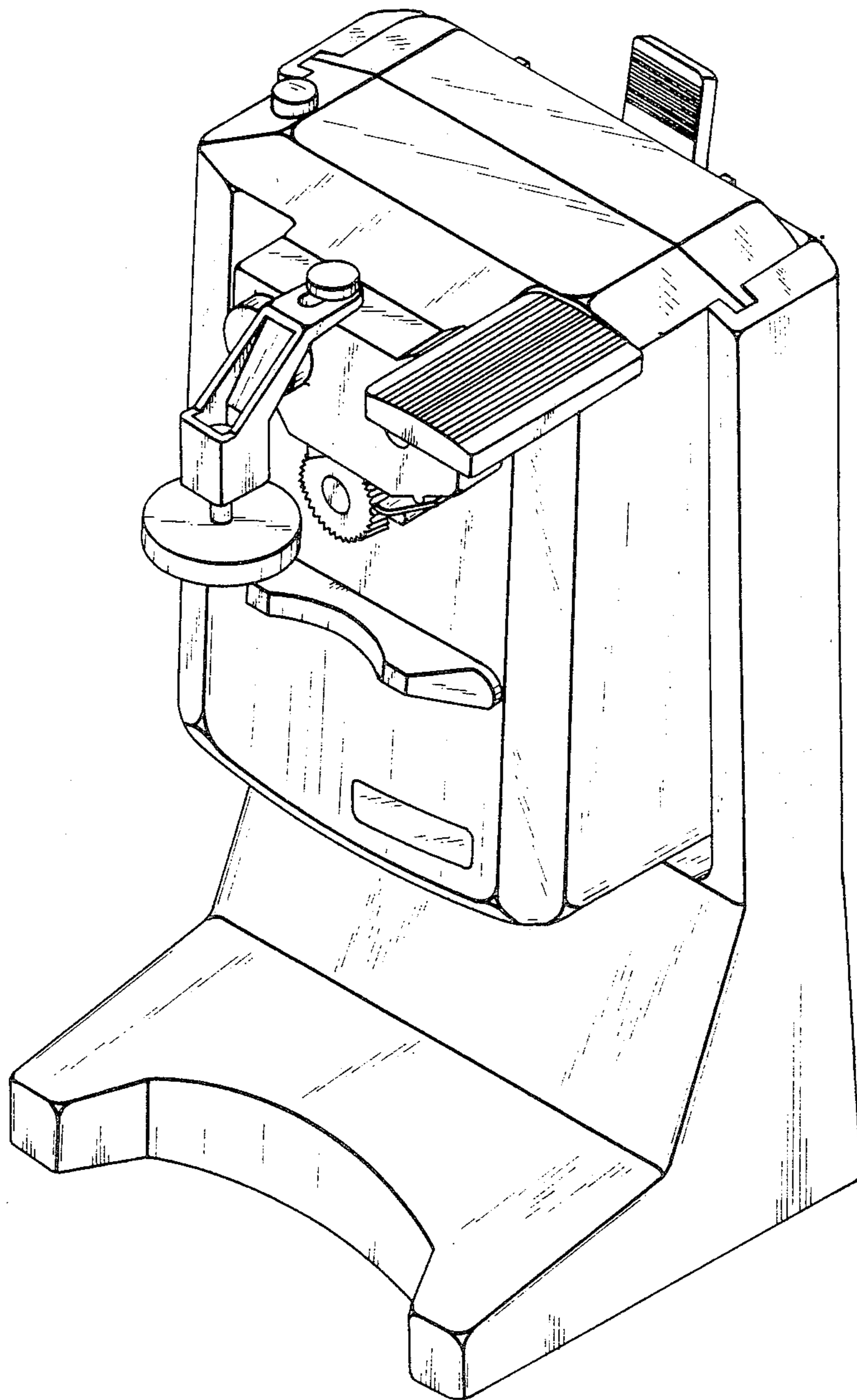


FIG. 3

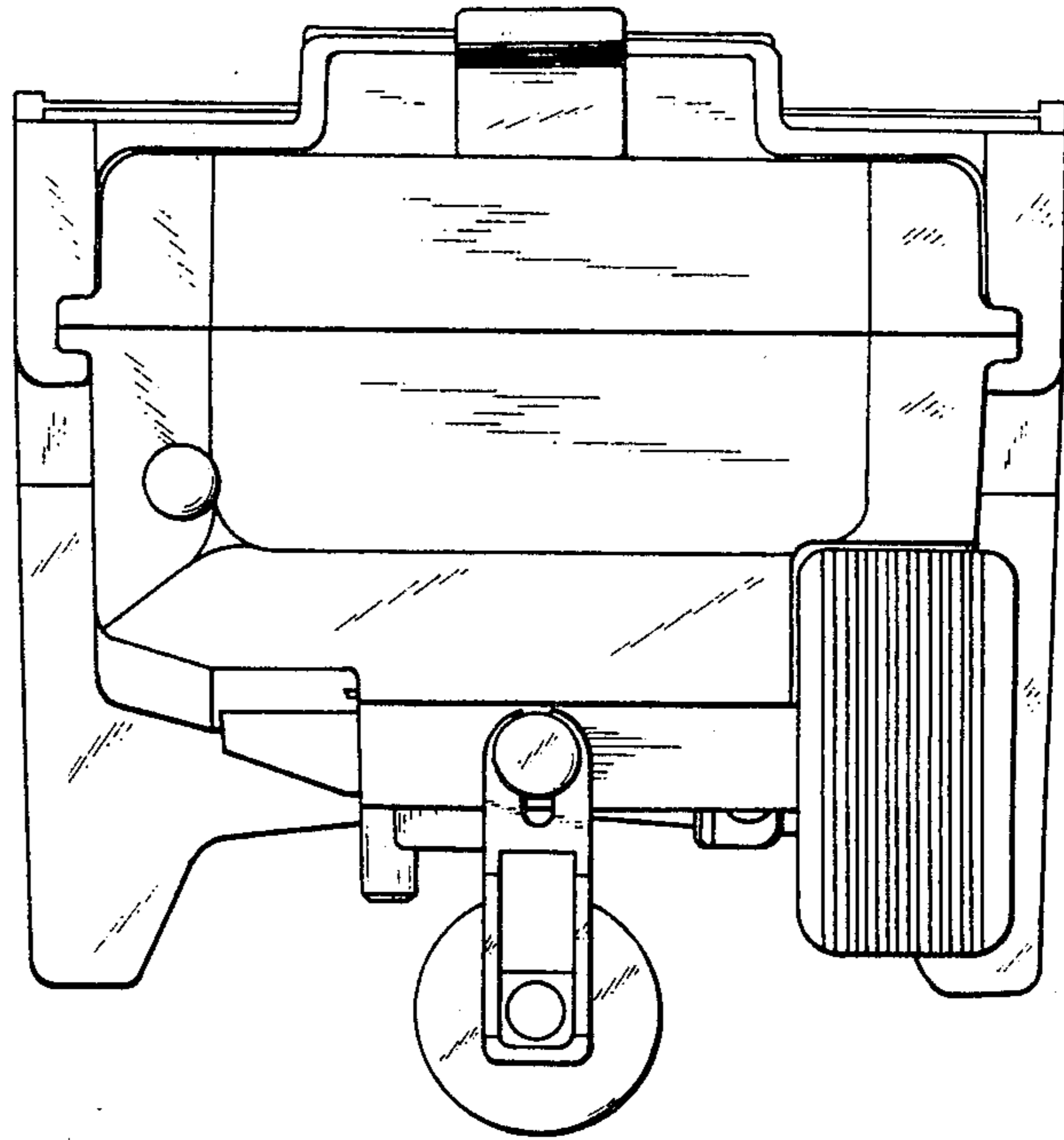


FIG. 4

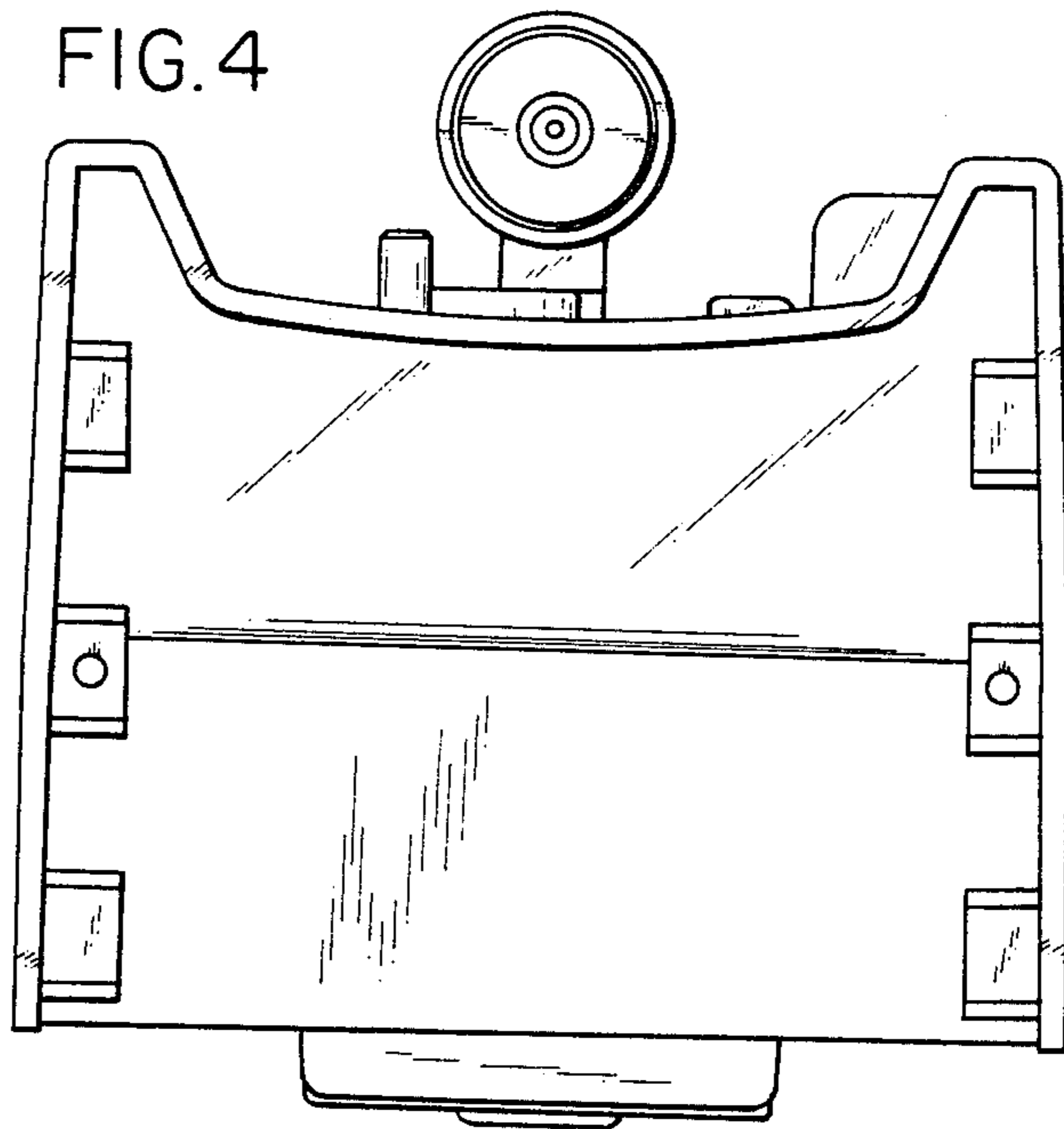


FIG. 5

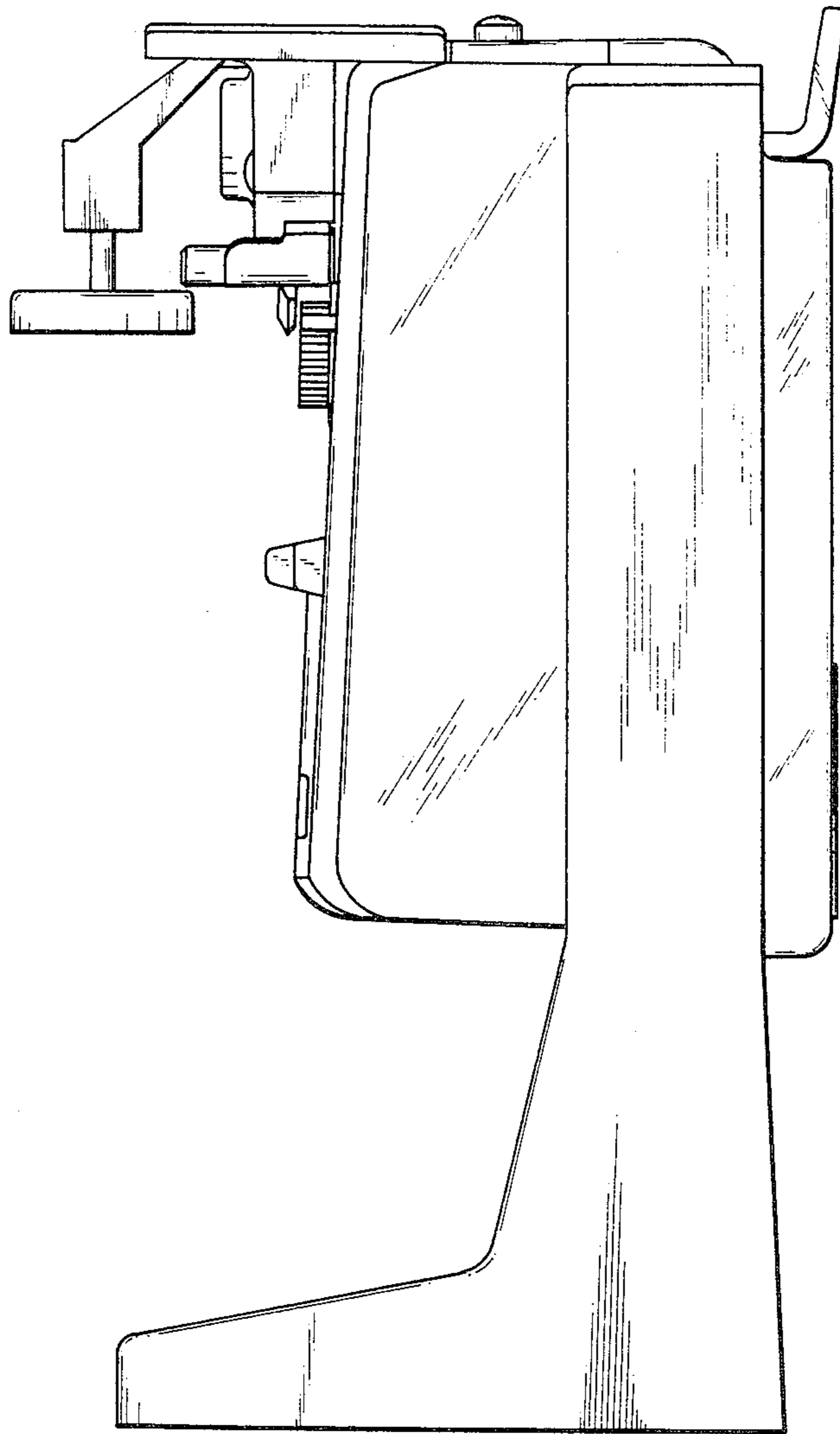


FIG. 6

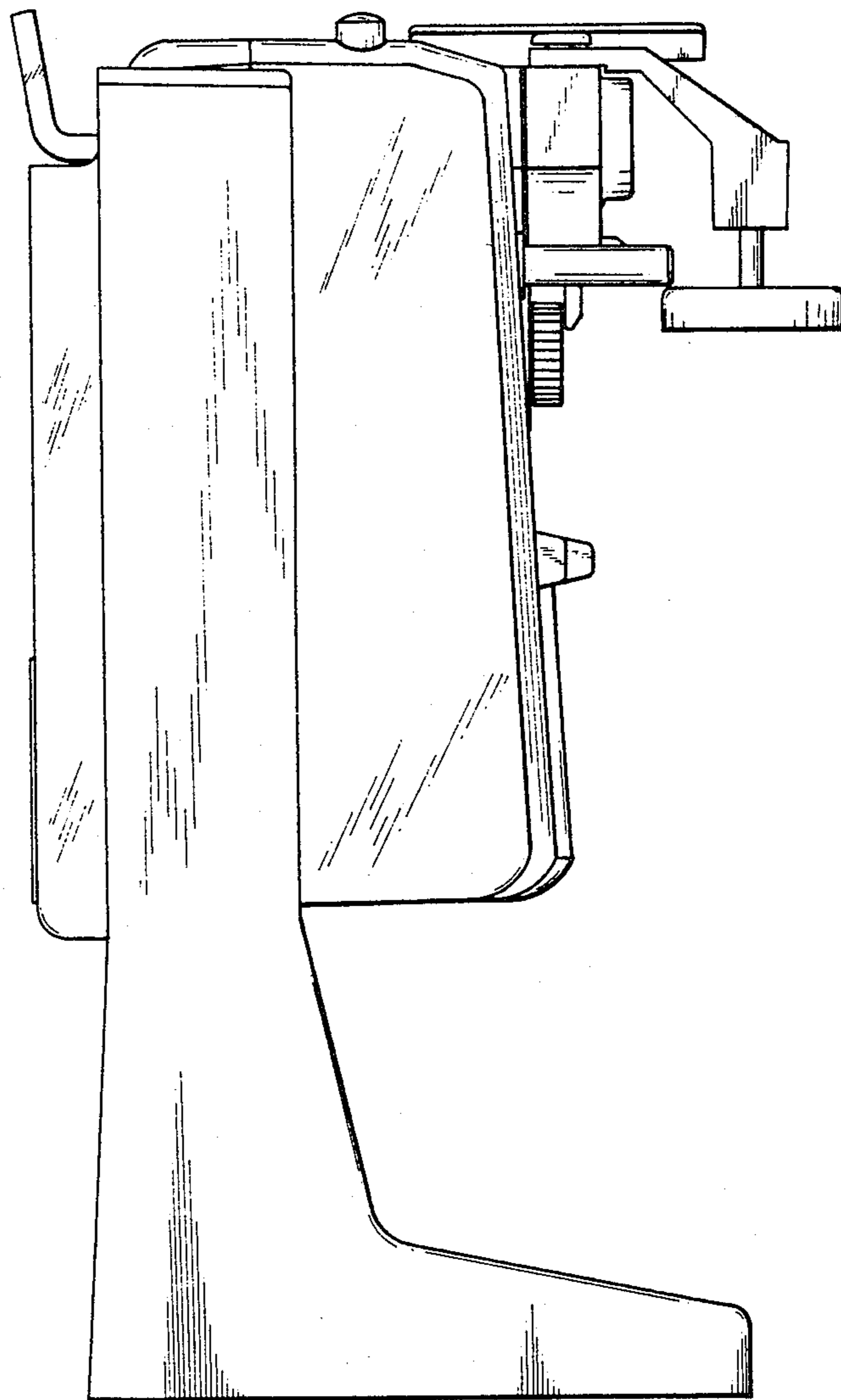


FIG. 7

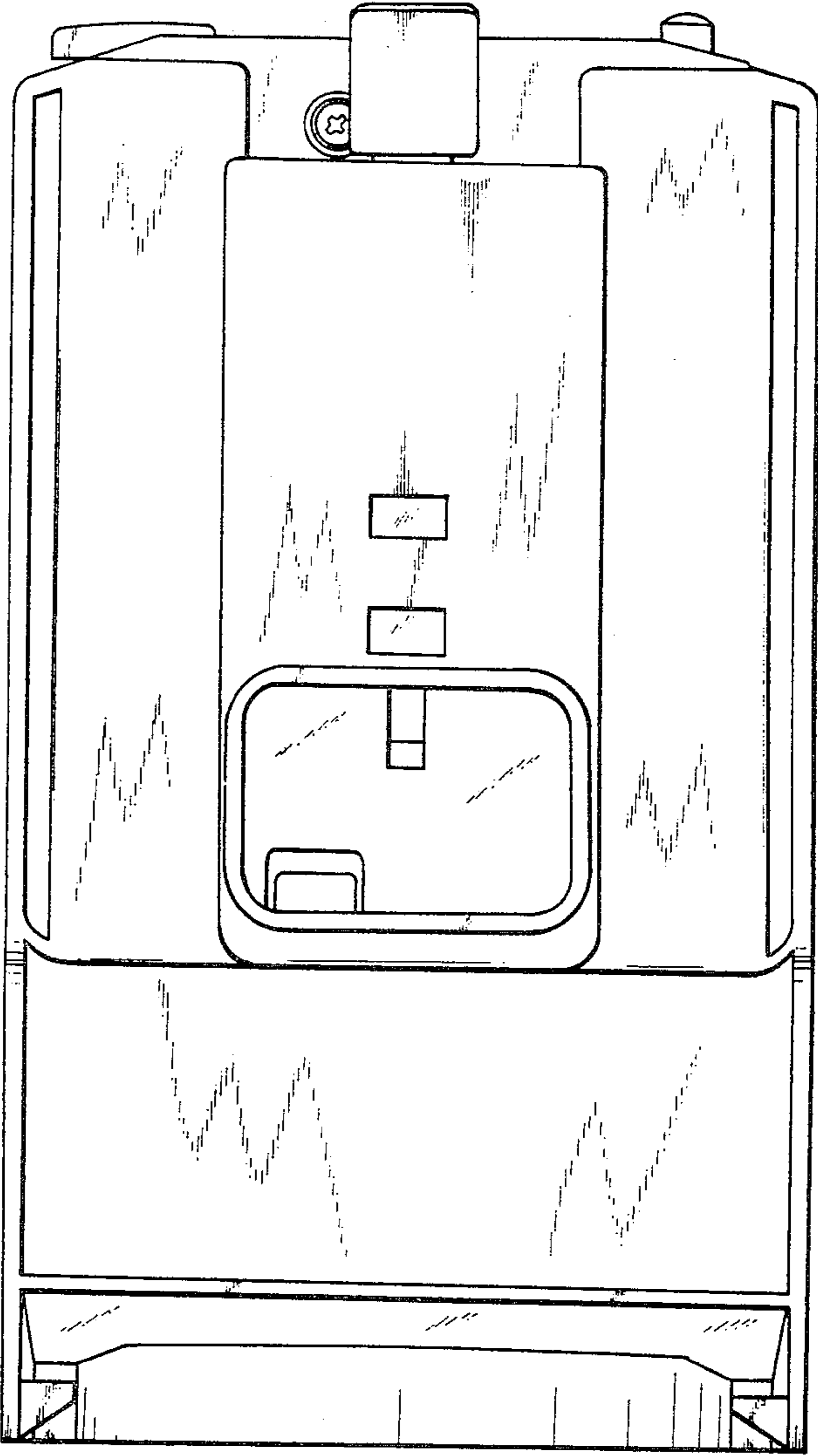


FIG. 8

