

[54] BULK FOOD DISPENSER

[76] Inventor: James S. Blahowicz, 56 Crownland Circle Rd., West Seneca, N.Y. 14224

[**] Term: 14 Years

[21] Appl. No.: 480,218

[22] Filed: Mar. 30, 1983

[52] U.S. Cl. D7/76

[58] Field of Search D7/71, 68, 72, 75, 76, D7/79, 81; 222/450, 511, 183, 185, 556

[56] References Cited

U.S. PATENT DOCUMENTS

D. 254,530	3/1980	Armstrong	D7/75
D. 276,020	10/1984	Battista	D7/79
D. 276,683	12/1984	Silva	D7/75
352,195	11/1886	Krag	222/556 X
415,010	11/1889	Wiltse et al.	222/556 X
684,512	10/1901	Huron	222/556
1,011,859	12/1911	Schwartz	222/556
2,950,841	8/1960	Cornwell	D7/75 X

Primary Examiner—Bernard Ansher

Assistant Examiner—Linda Titolo

Attorney, Agent, or Firm—Bean, Kauffman & Bean

[57] CLAIM

The ornamental design for a bulk food dispenser, as shown.

DESCRIPTION

FIG. 1 is a front elevational view of a bulk food dispenser showing my new design;
 FIG. 2 is a top plan view thereof;
 FIG. 3 is a rear elevational view thereof;
 FIG. 4 is a left side elevational view thereof;
 FIG. 5 is a right side elevational view thereof;
 FIG. 6 is a front elevational view of a second embodiment of that shown in FIG. 1;
 FIG. 7 is a top plan view thereof;
 FIG. 8 is a rear elevational view thereof;
 FIG. 9 is a left side elevational view thereof;
 FIG. 10 is a right side elevational view thereof;
 FIG. 11 is a perspective view of the embodiment of the dispenser shown in FIG. 1; and
 FIG. 12 is a perspective view of the embodiment of the dispenser shown in FIG. 6.
 The bottom surface of the dispenser is plain and unornamental.

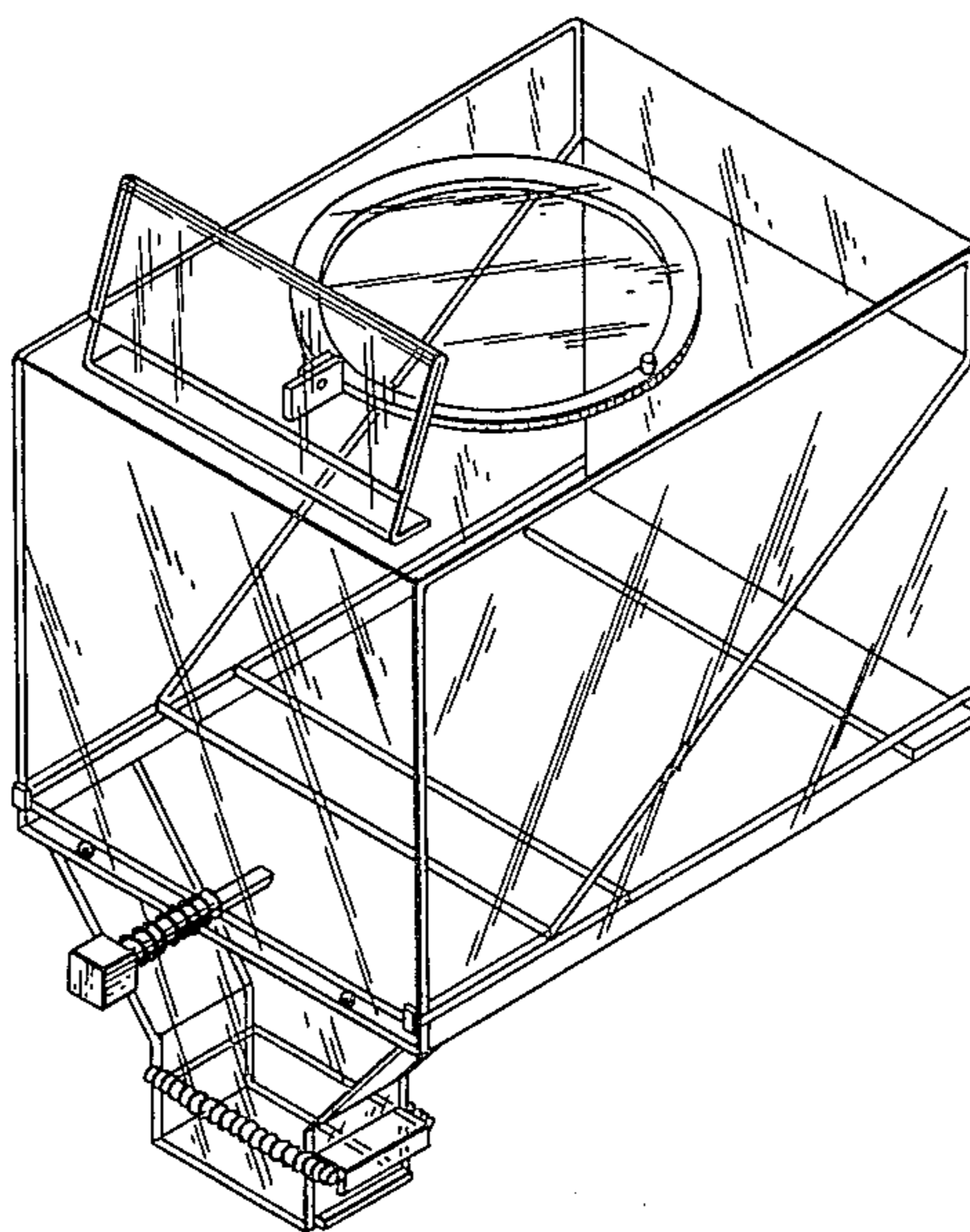


Fig. 2.

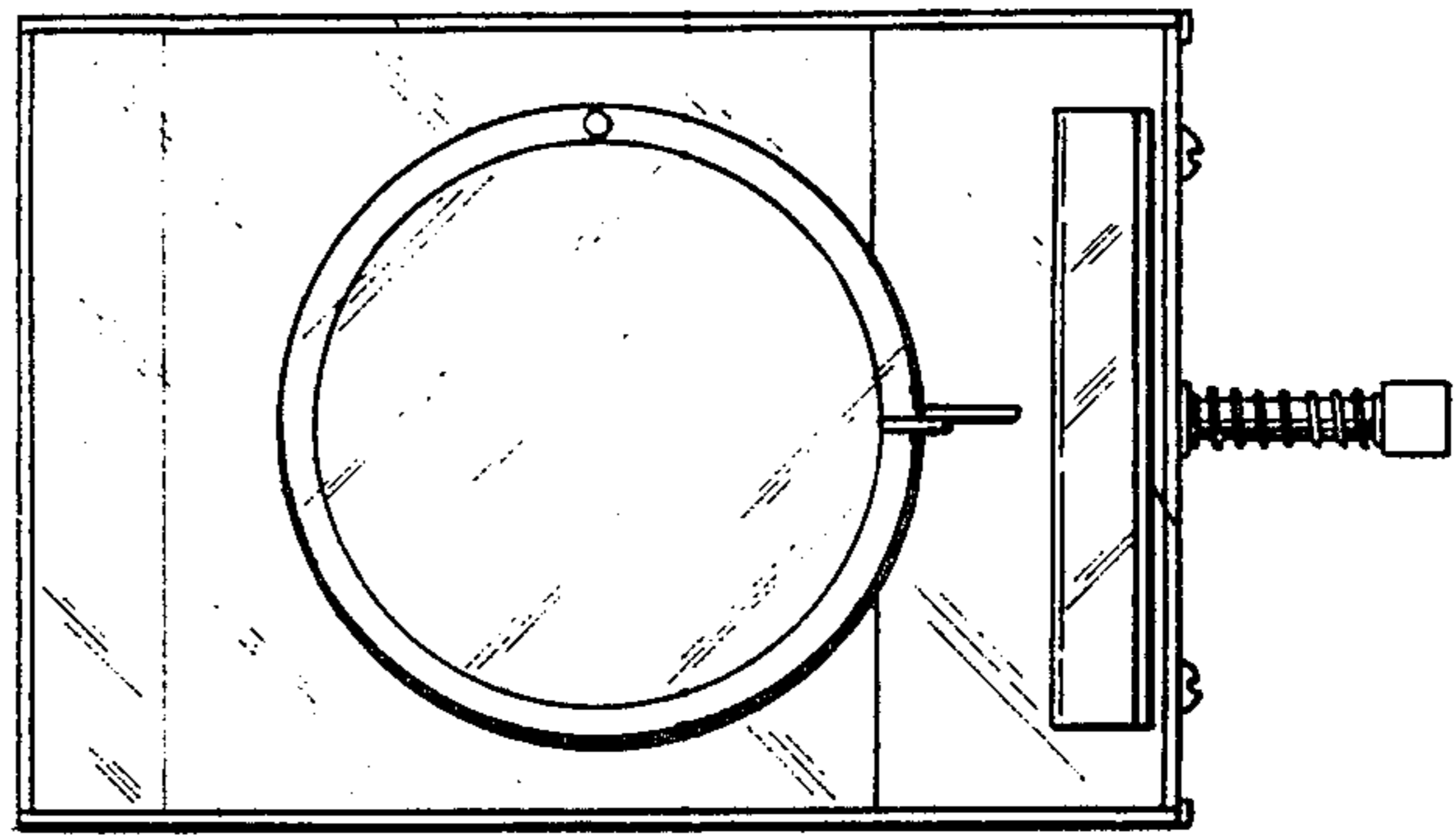


Fig. 1.

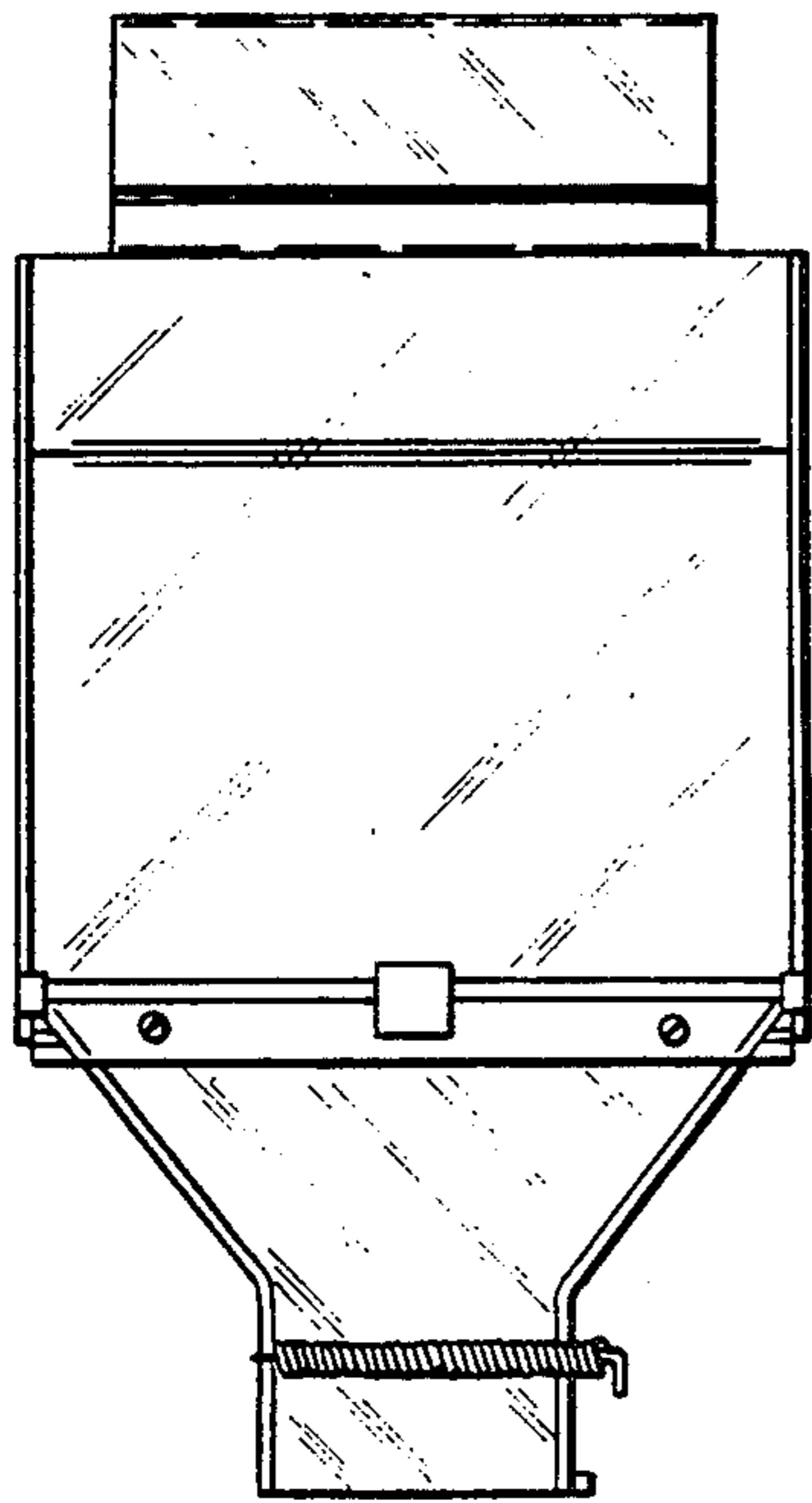


Fig. 4.

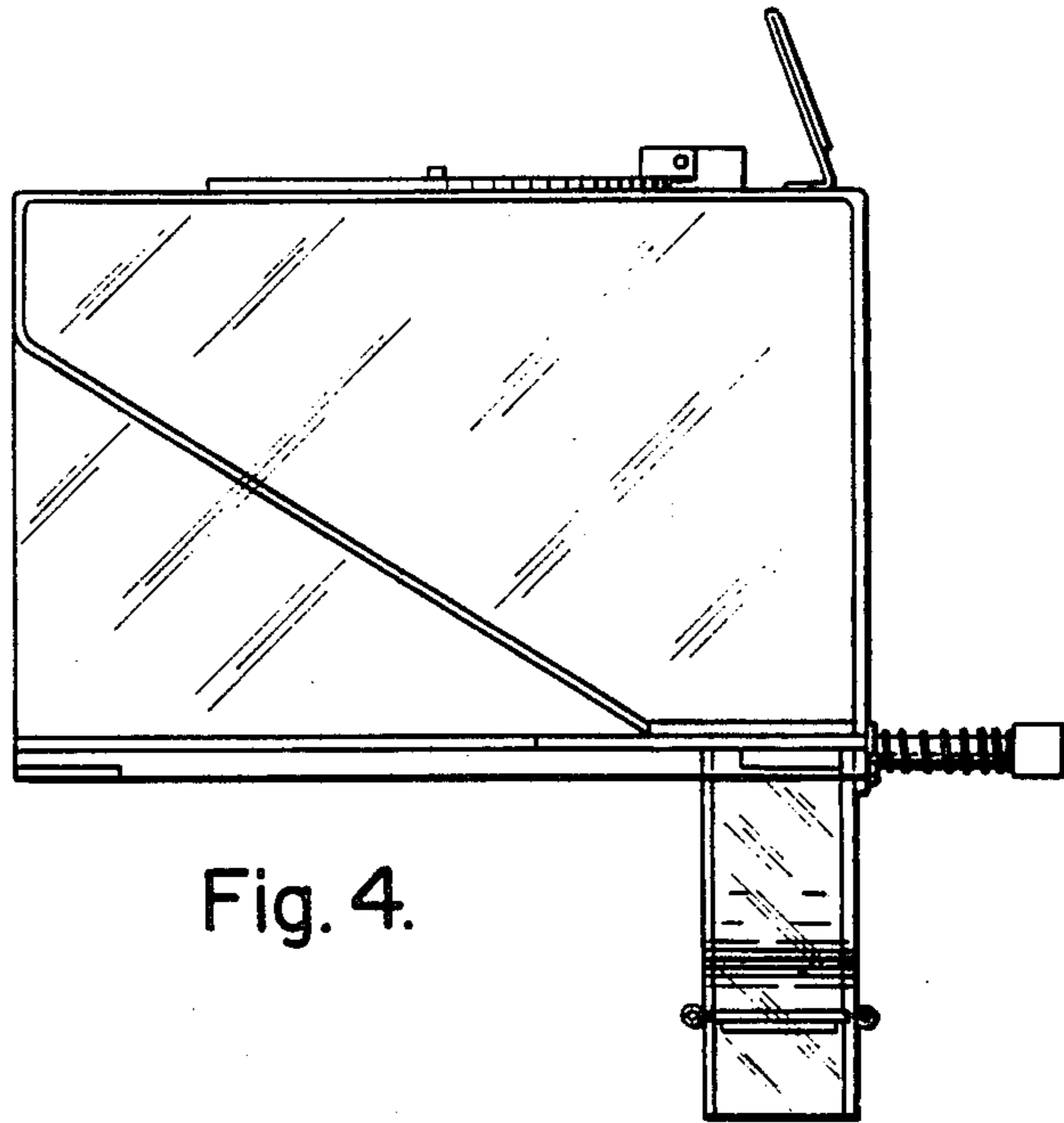


Fig. 3.

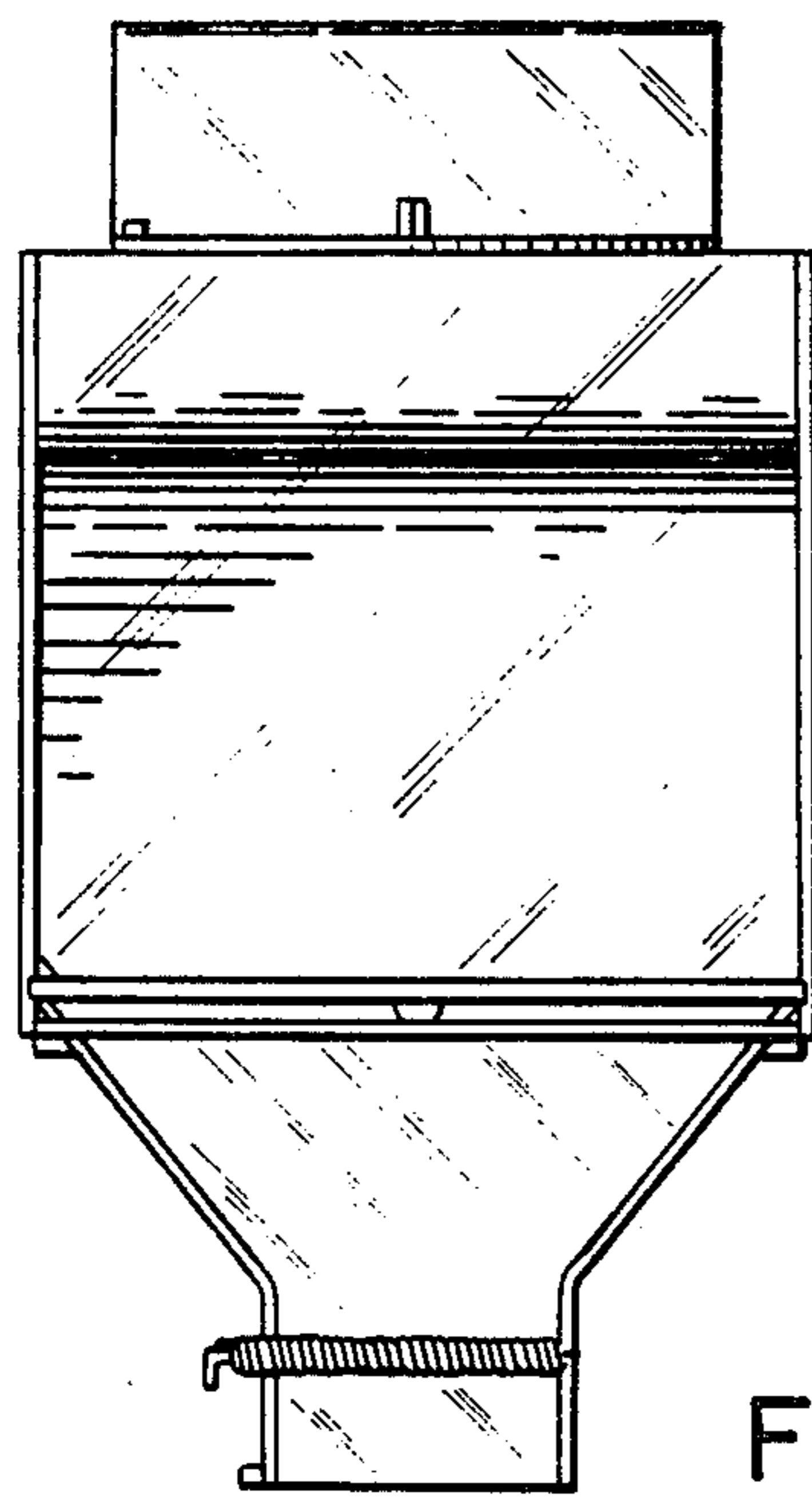


Fig. 5.

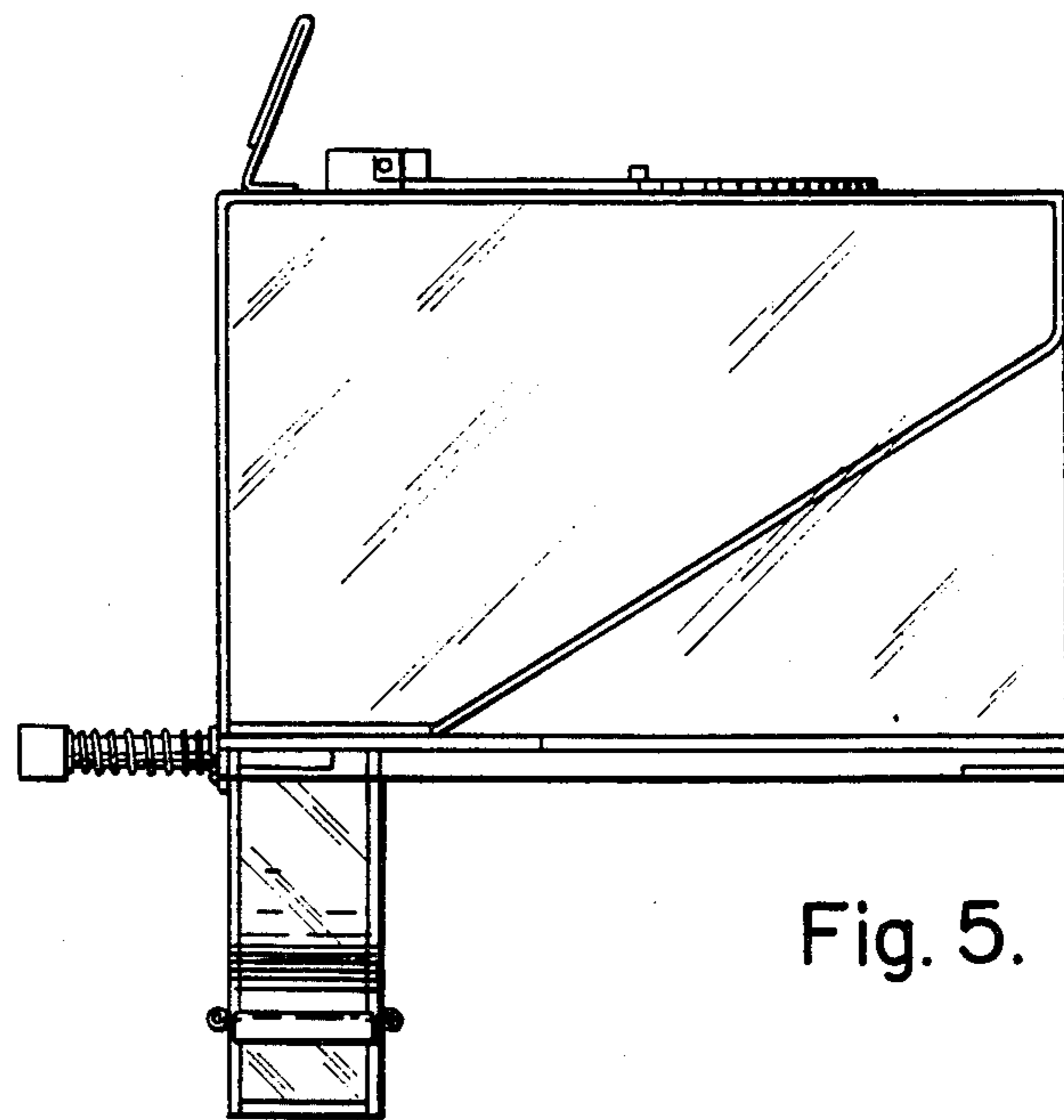


Fig. 7.

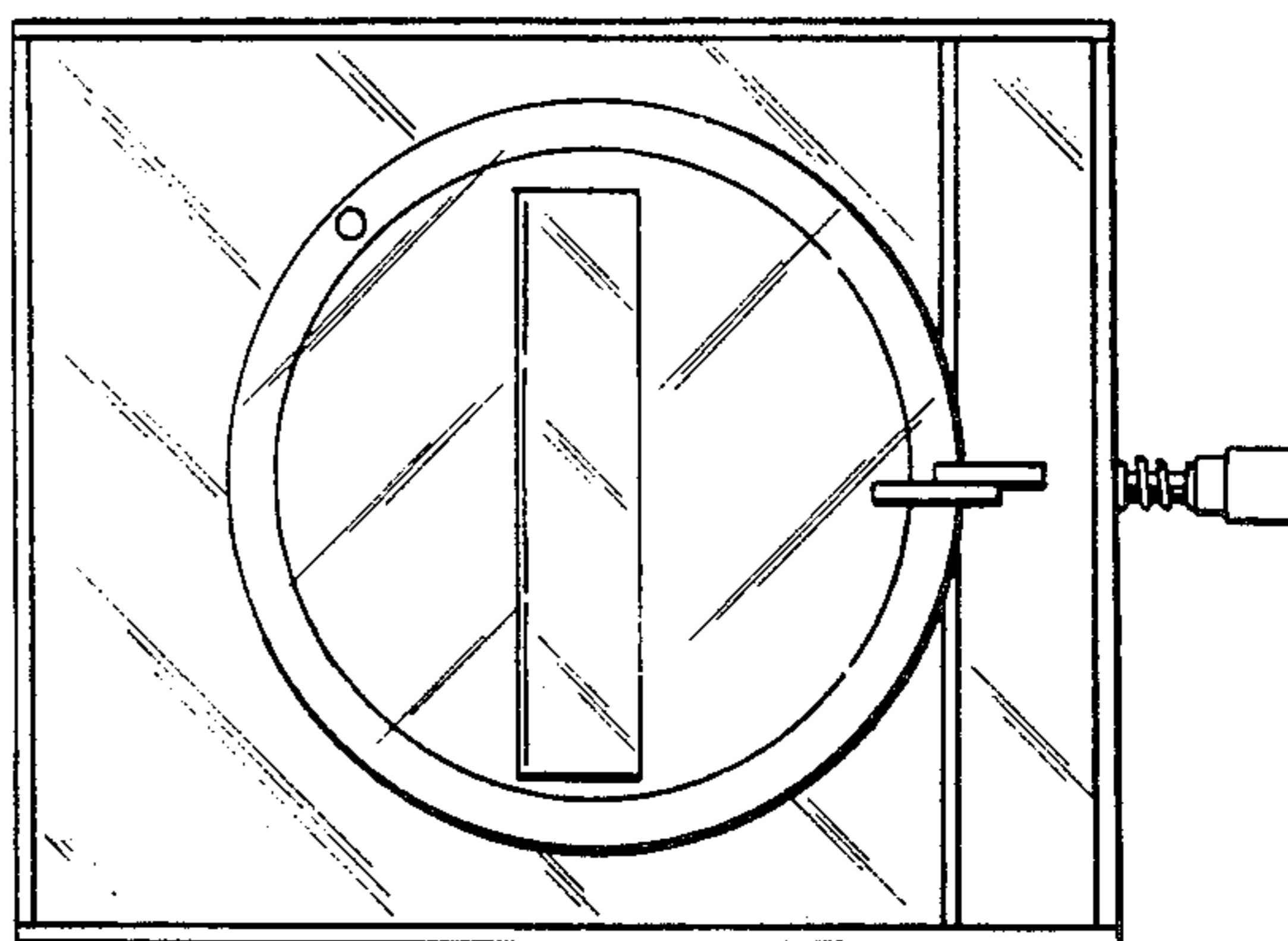


Fig. 6.

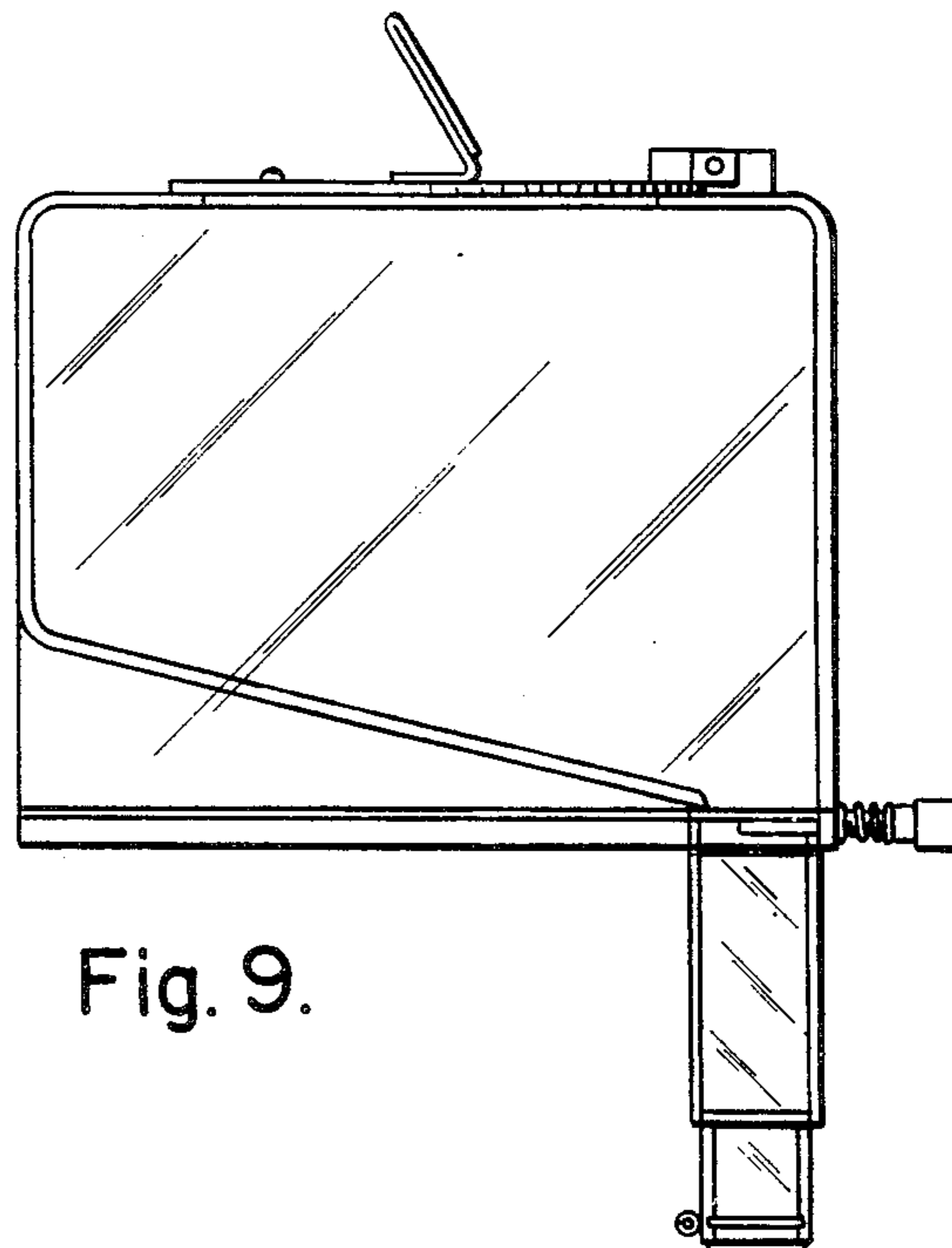
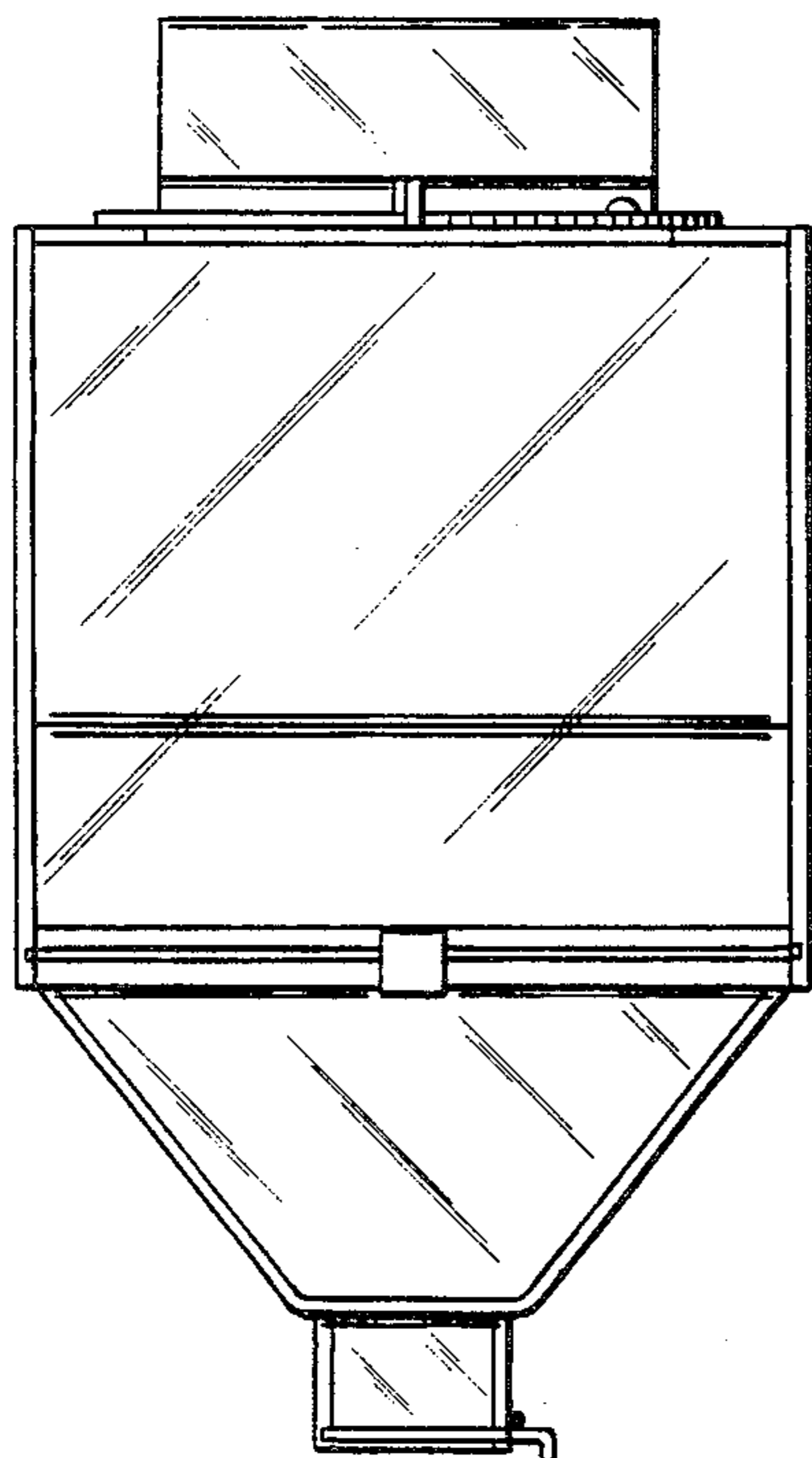


Fig. 9.

Fig. 8.

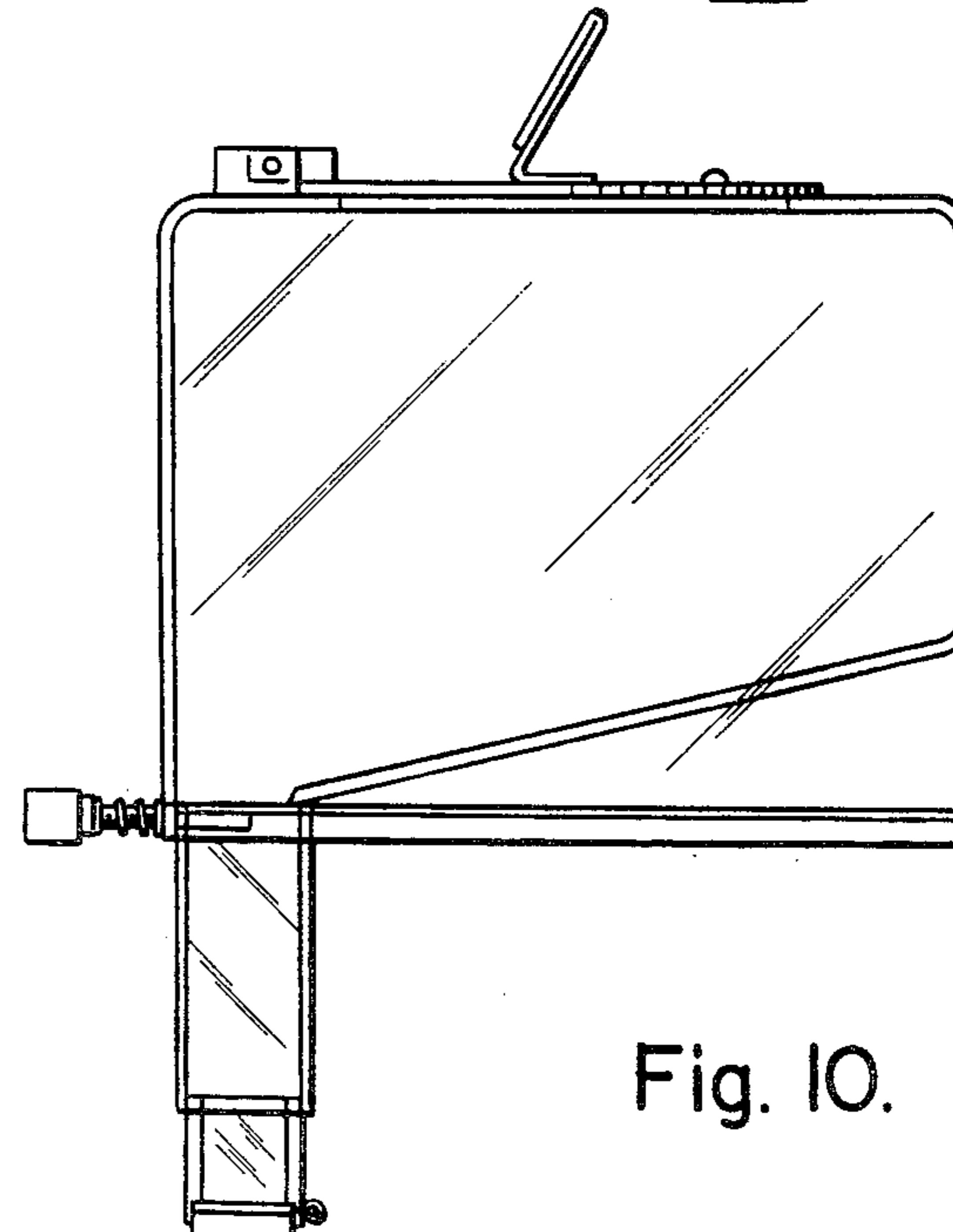
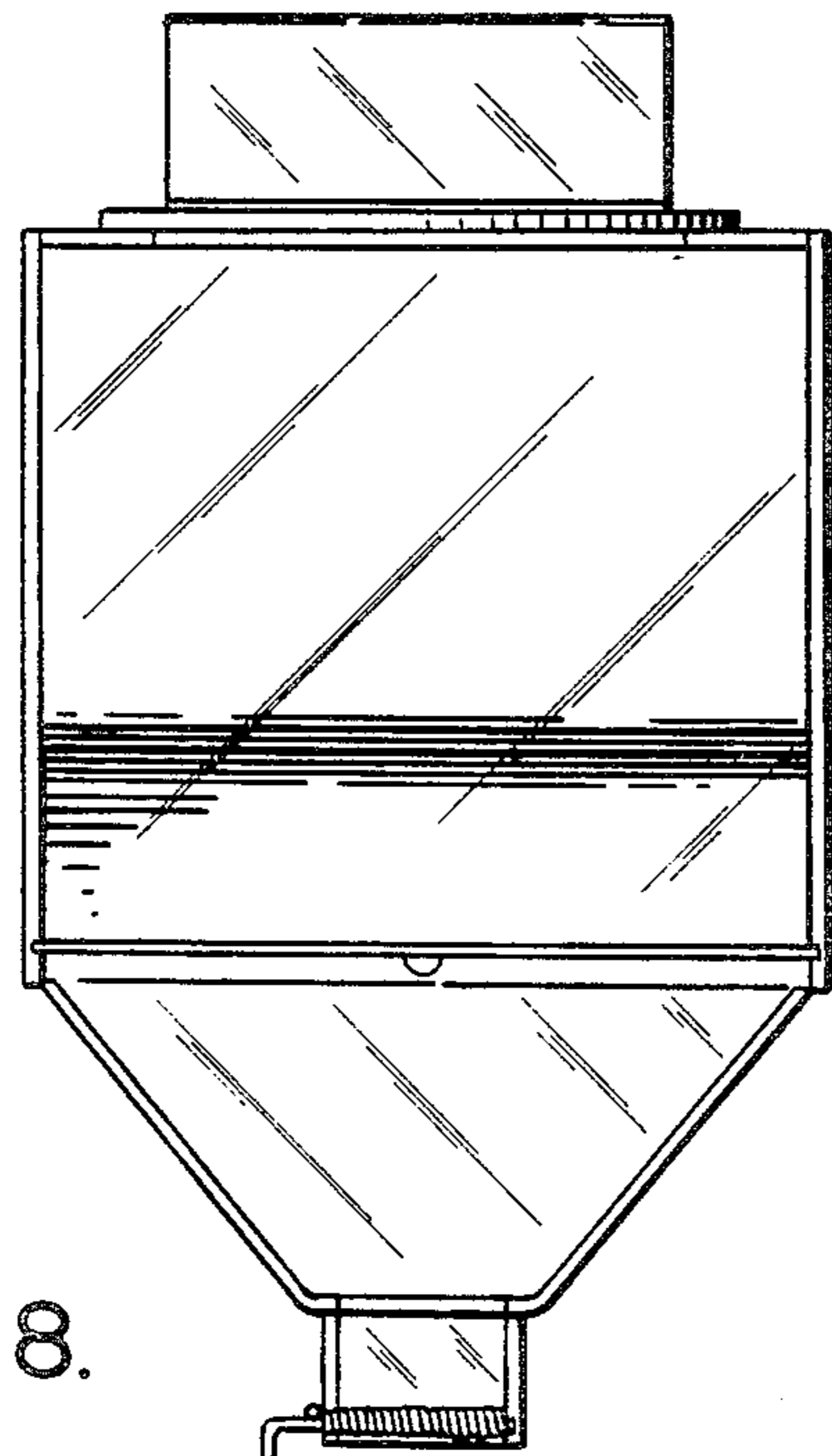


Fig. 10.

Fig. 11.

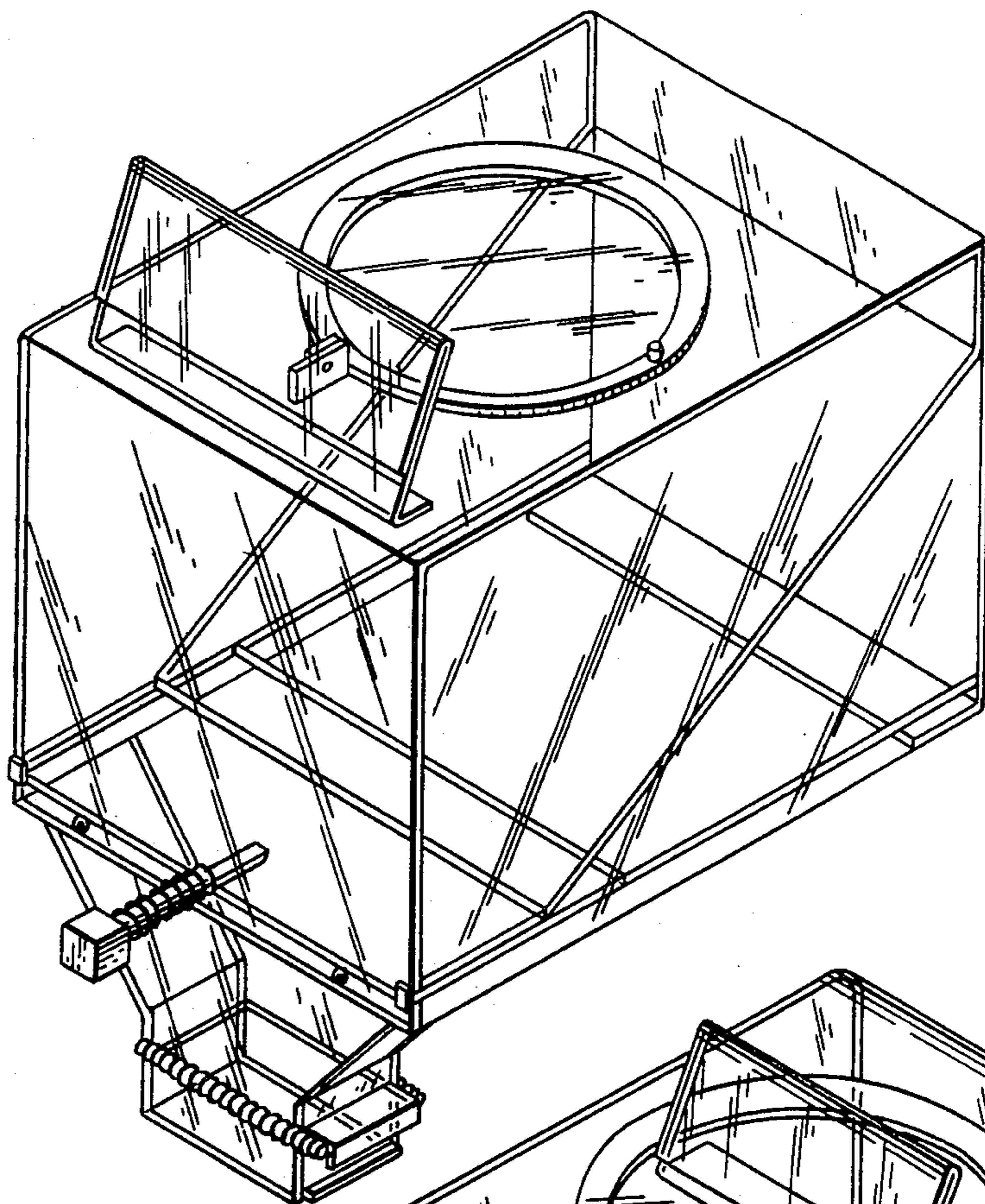


Fig. 12.

