

[54] TABLE

[75] Inventor: Christopher S. Bergelin, Morganton, N.C.

[73] Assignee: Gordon's Inc., Johnson City, Tenn.

[**] Term: 14 Years

[21] Appl. No.: 778,139

[22] Filed: Sep. 20, 1985

[52] U.S. Cl. D6/484

[58] Field of Search D6/480, 481, 484, 488, D6/449, 461, 462, 463; 108/59, 66, 83, 161

[56] References Cited

U.S. PATENT DOCUMENTS

- D. 96,148 7/1935 Walker D6/484 X
- D. 233,293 10/1974 Rosen D6/484
- D. 255,076 5/1980 Adkinson D6/484

OTHER PUBLICATIONS

East Wind Brochure by American of Martinsville, Mar. 15, 1973, Table No. 2653-653.

Primary Examiner—Bruce W. Dunkins
Attorney, Agent, or Firm—Wenderoth, Lind & Ponack

[57] CLAIM

The ornamental design for a table, as shown and described.

DESCRIPTION

FIG. 1 is a perspective view of a table showing my design;
 FIG. 2 is a side view of the table shown in FIG. 1;
 FIG. 3 is a plan view of the table shown in FIG. 1;
 FIG. 4 is a perspective view of a table showing a modified form of my new design;
 FIG. 5 is a side view of the table shown in FIG. 4;
 FIG. 6 is an end view of the table shown in FIG. 4; and
 FIG. 7 is a plan view of the table shown in FIG. 4.
 The bottom of each embodiment is unornamented, the views of the side of each embodiment opposite those shown in FIGS. 2 and 5 are identical to the side views shown in FIGS. 2 and 5, respectively, and the end view opposite to that shown in FIG. 6 is identical to the end view shown in FIG. 6.

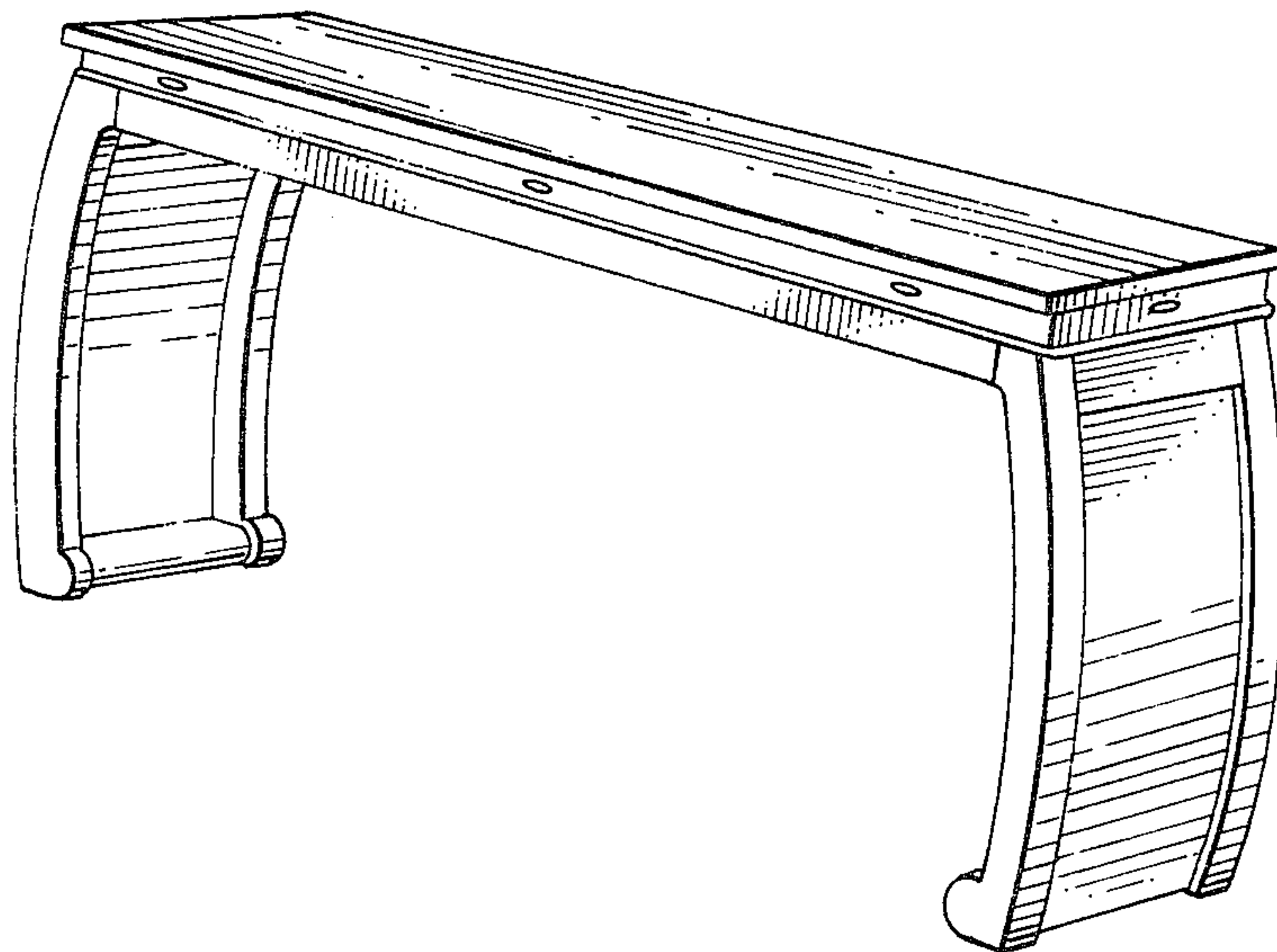


FIG. 1.

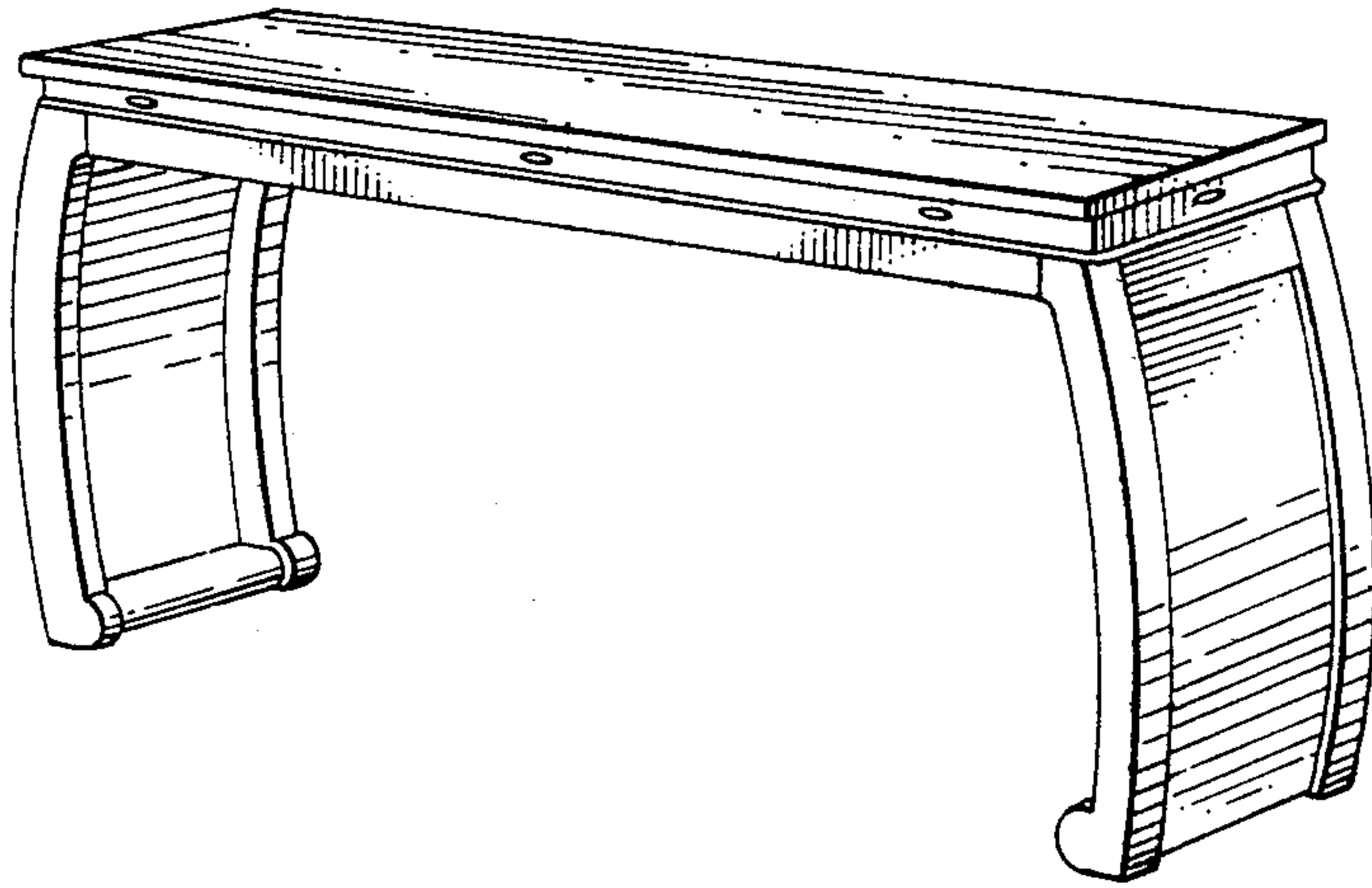


FIG. 2.

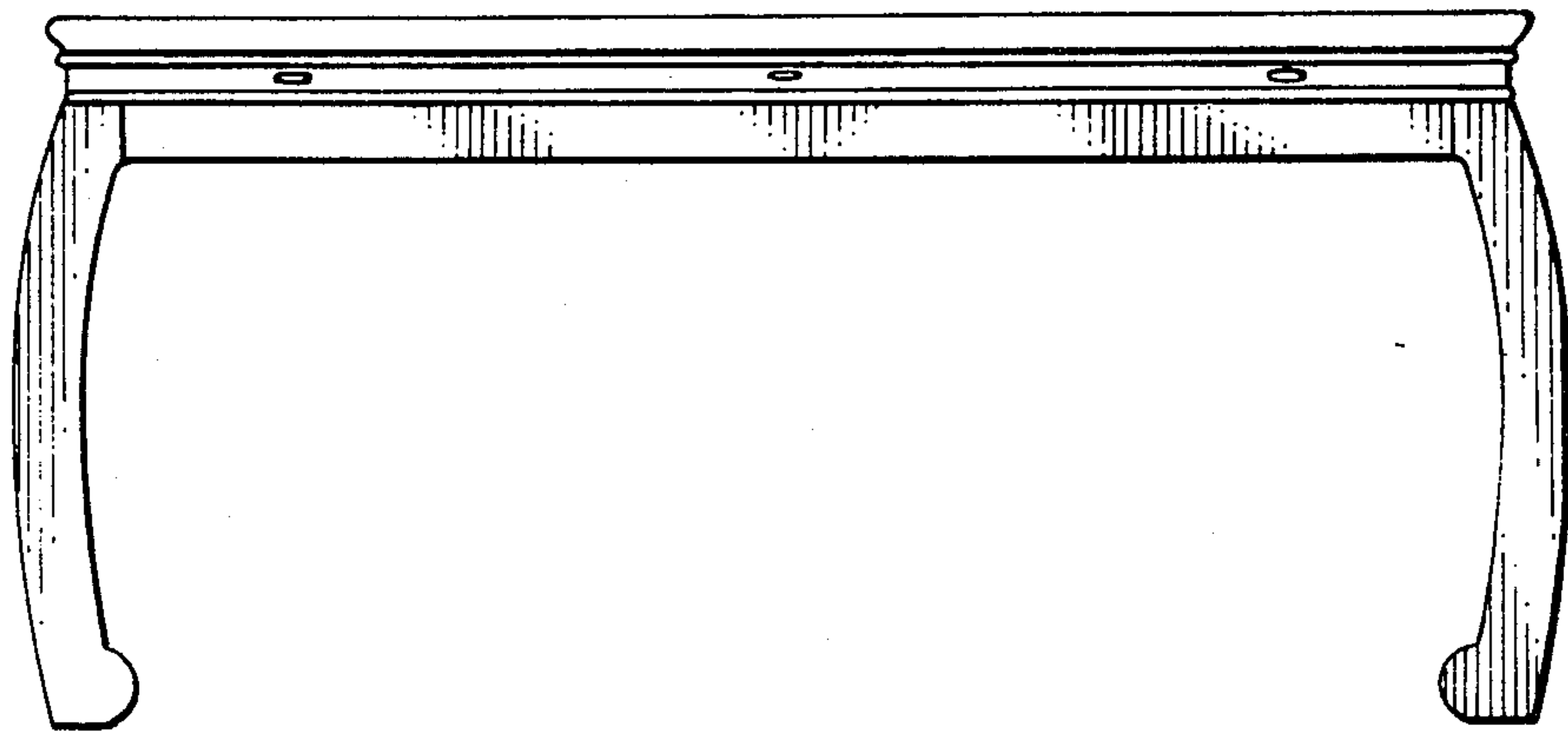


FIG. 3.

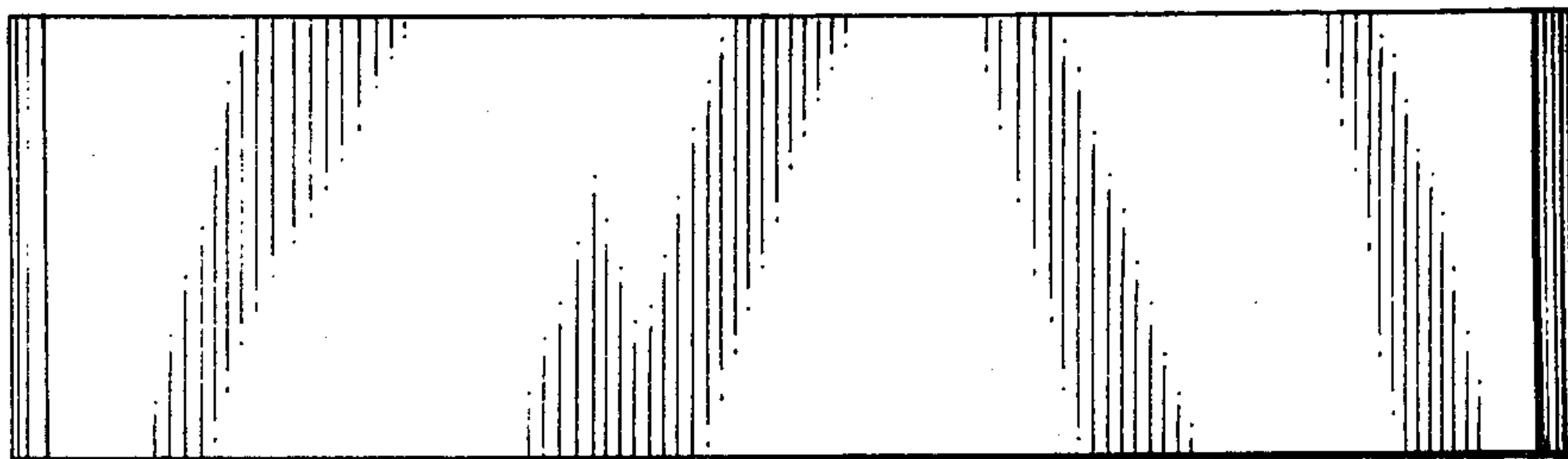


FIG. 4.

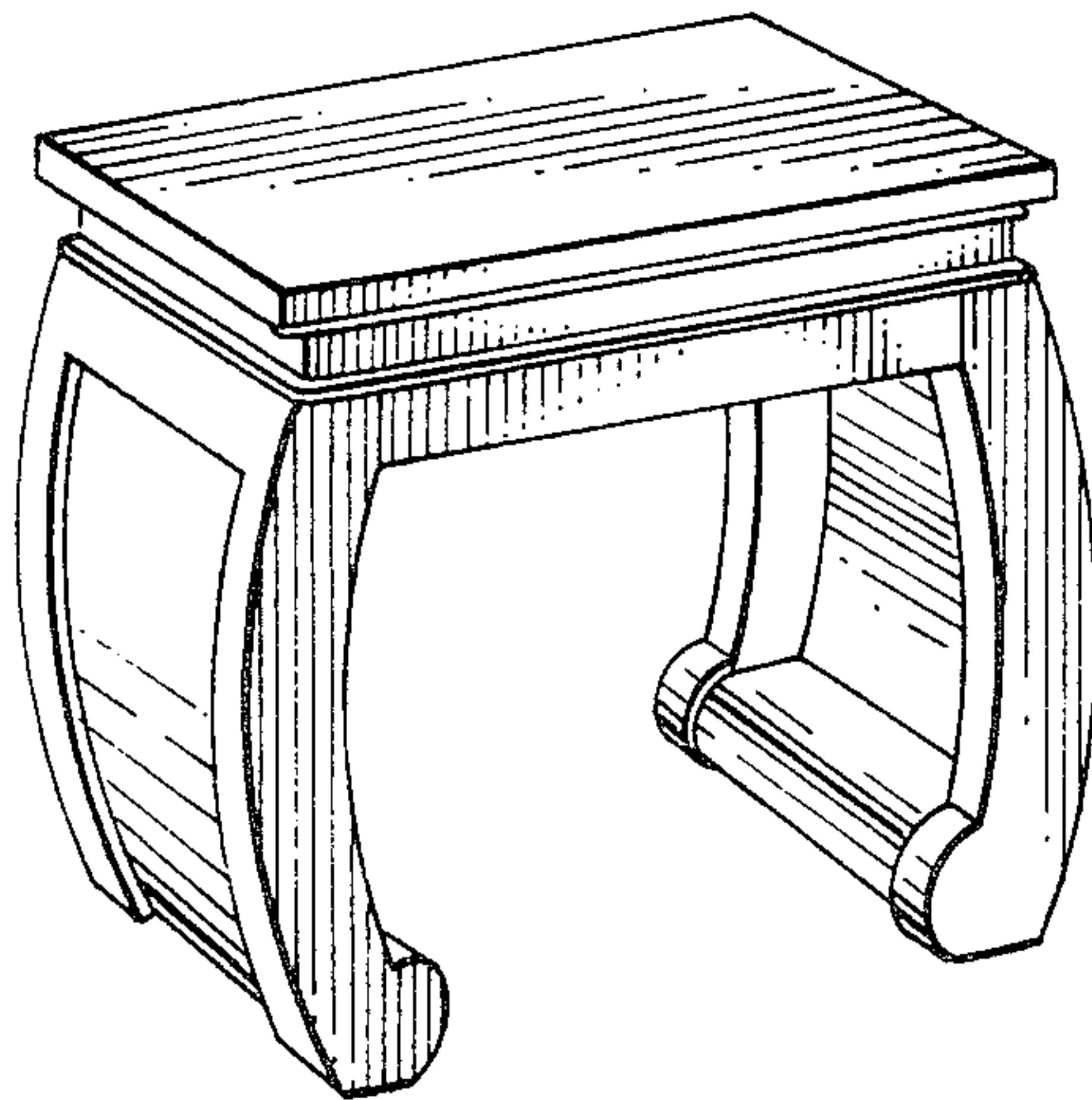


FIG. 5.

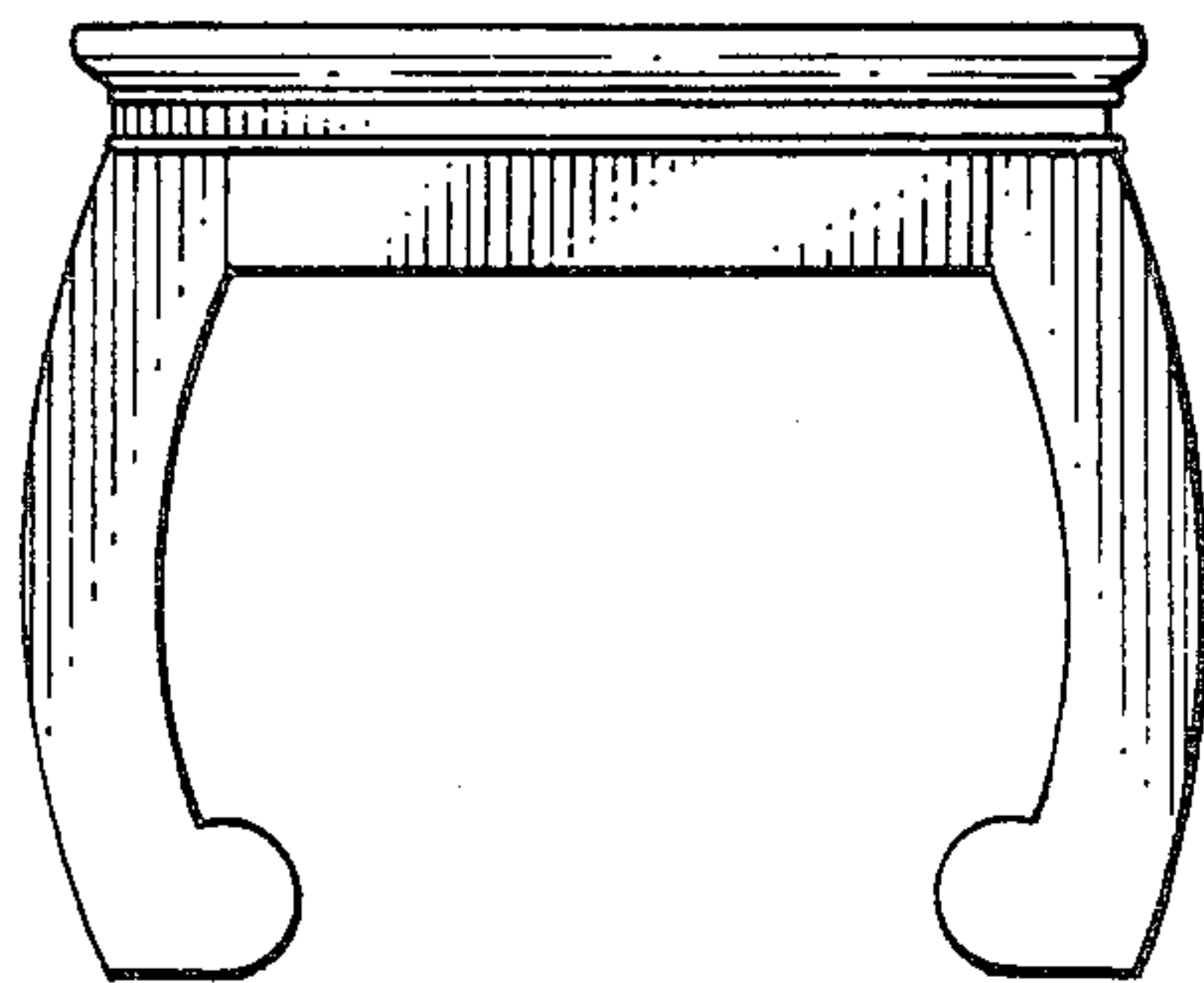


FIG. 6.

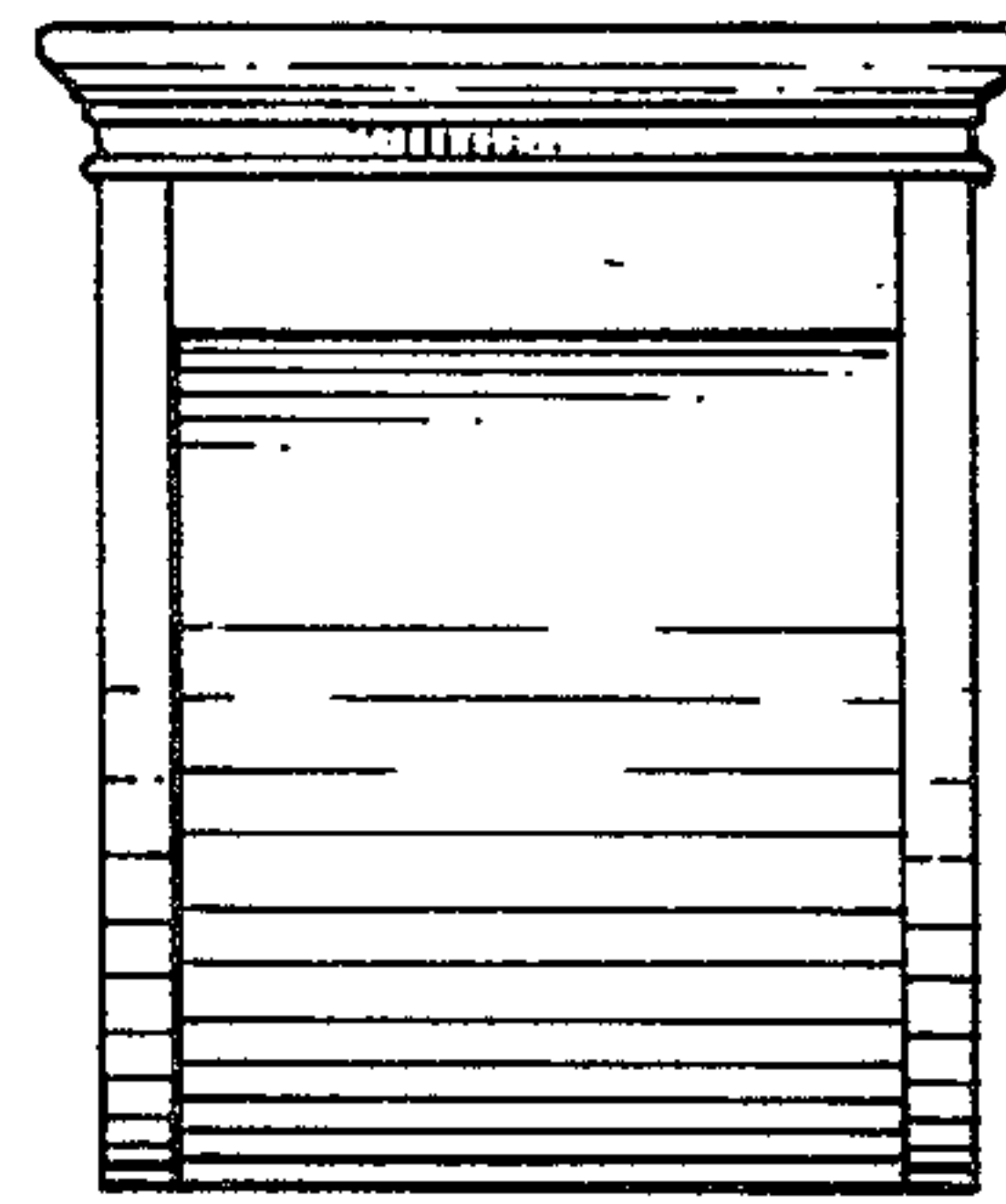


FIG. 7.

