

[54] STACKABLE BULK FOOD DISPLAY MODULE

[75] Inventor: Richard Cantolino, Atlantic Highlands, N.J.

[73] Assignee: Mayfair Super Markets, Inc., Elizabeth, N.J.

[\*\*] Term: 14 Years

[21] Appl. No.: 546,628

[22] Filed: Oct. 28, 1983

[52] U.S. Cl. .... D6/471; D6/475

[58] Field of Search ..... D6/475, 476, 470, 471; 312/117, 118, 138 R, 120

[56] References Cited

U.S. PATENT DOCUMENTS

D. 3,566	6/1869	Winter	.....	D6/471
D. 116,804	9/1939	Pilliod	.....	D6/471
D. 129,258	2/1941	James	.....	D6/173
D. 255,302	7/1980	Newsom, Jr. et al.	.....	D6/172
D. 261,445	10/1981	Ewert	.....	D7/81
D. 268,069	3/1983	Milstein	.....	D6/187
661,325	11/1900	Roth	.....	312/117
977,318	11/1910	Leibe et al.	.....	312/120
2,097,635	11/1937	Mayo	.....	312/118
2,291,064	7/1942	Waddell	.....	312/118

3,990,752 11/1976 Hoffman et al. .... 312/118

OTHER PUBLICATIONS

*Glynco Plastics*, p. 34; Bulk Merchandise Dispenser with Hinged Lid on page.

*J. D. Acrylics*, p. 25; Self-Serve Display Case 3-Bin, bottom of page.

Primary Examiner—Carmen H. Vales

Attorney, Agent, or Firm—David H. Semmes; Warren E. Olsen

[57] CLAIM

The ornamental design for a stackable bulk food display module, as shown and described.

DESCRIPTION

FIG. 1 is a perspective view of a stackable bulk food display module showing my new design;

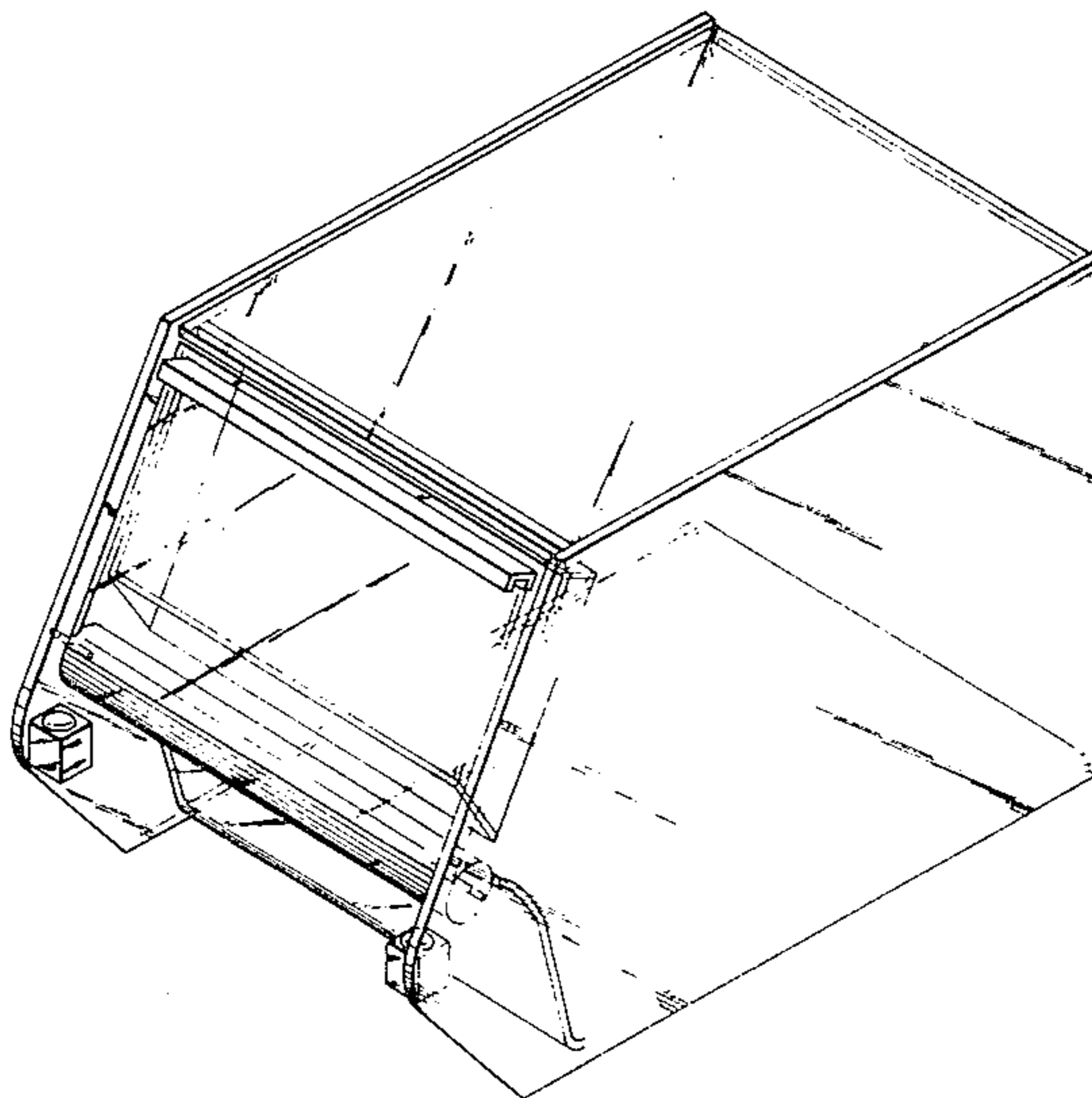
FIG. 2 is a front elevational view thereof;

FIG. 3 is a top plan view thereof;

FIG. 4 is a left side elevational view the right side being a mirror image thereof;

FIG. 5 is a bottom plan view thereof; and

FIG. 6 is a front elevational view showing the module as it would appear in an environmental setting. The broken line showing of portions of other modules is for illustrative purposes only and forms no part of the claimed design.



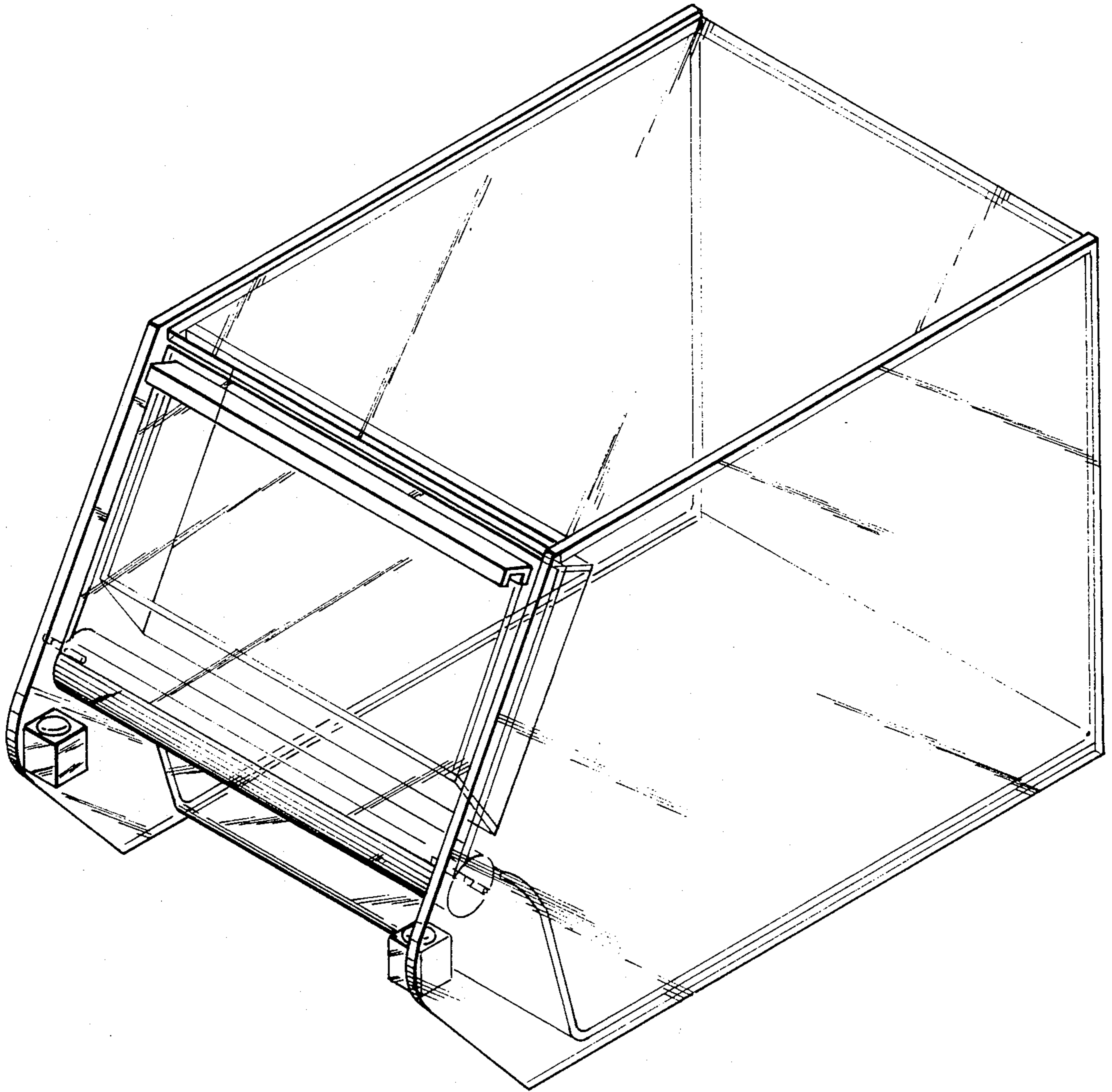


FIG. 1

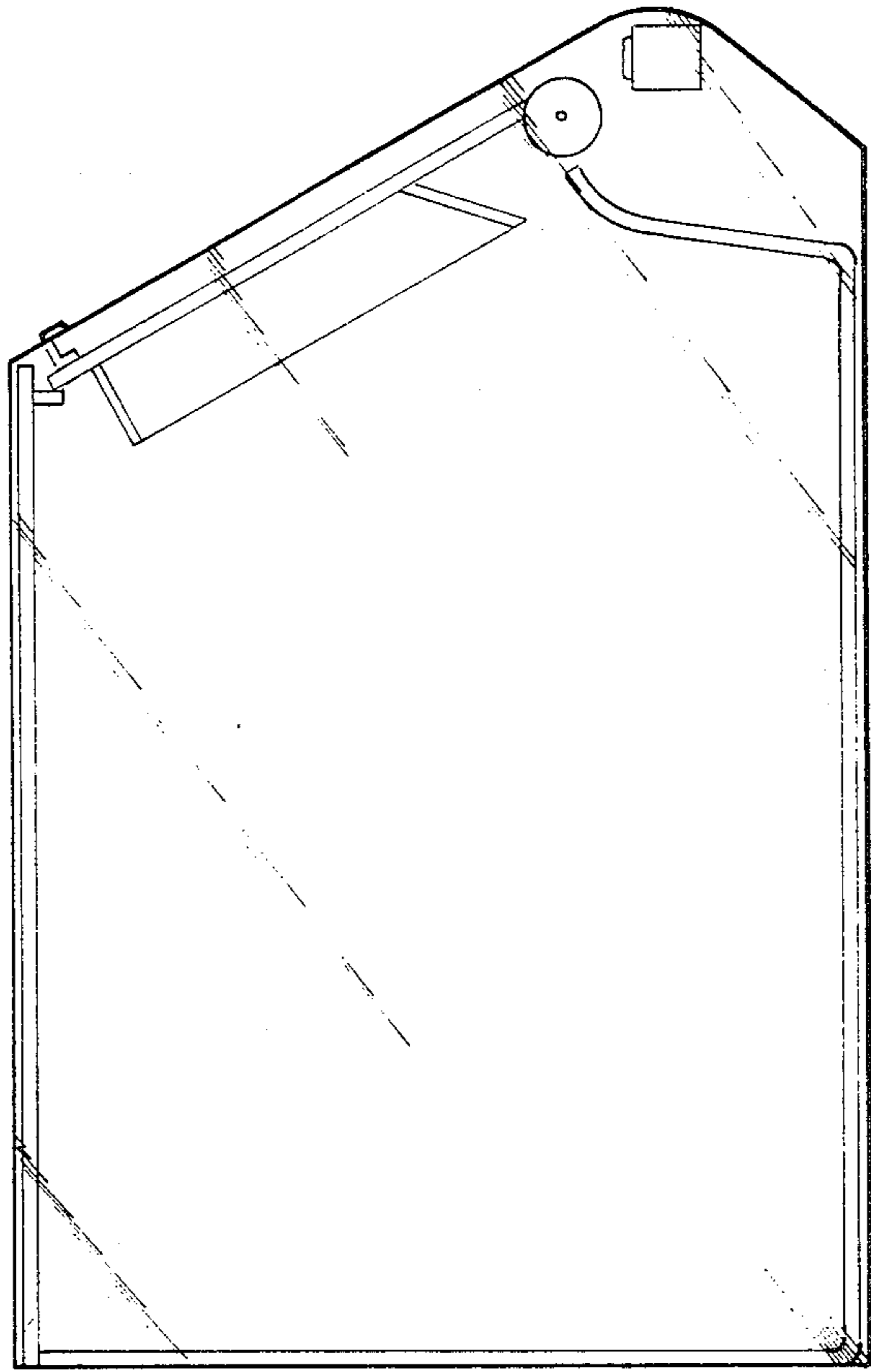


FIG. 4

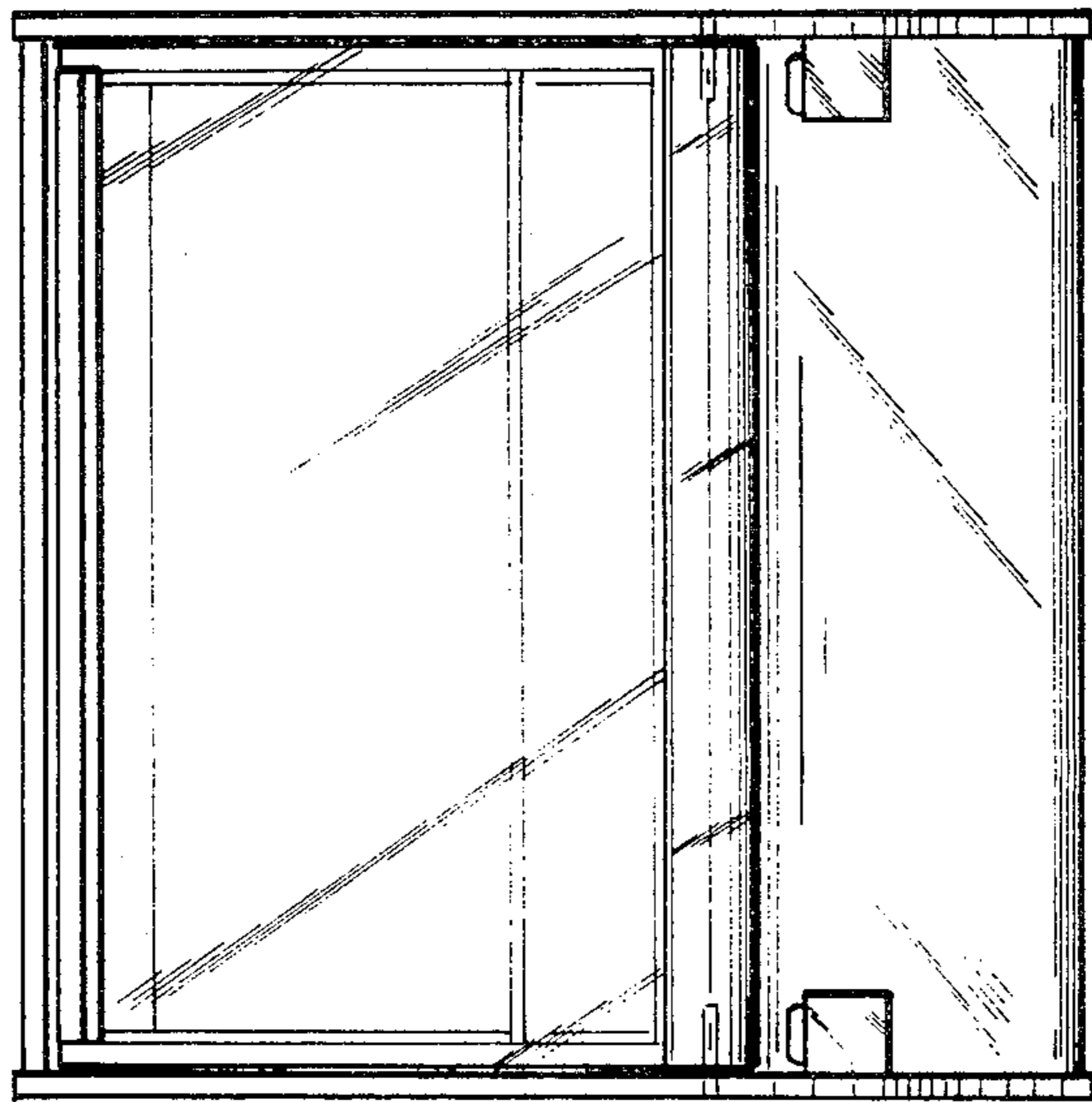


FIG. 2

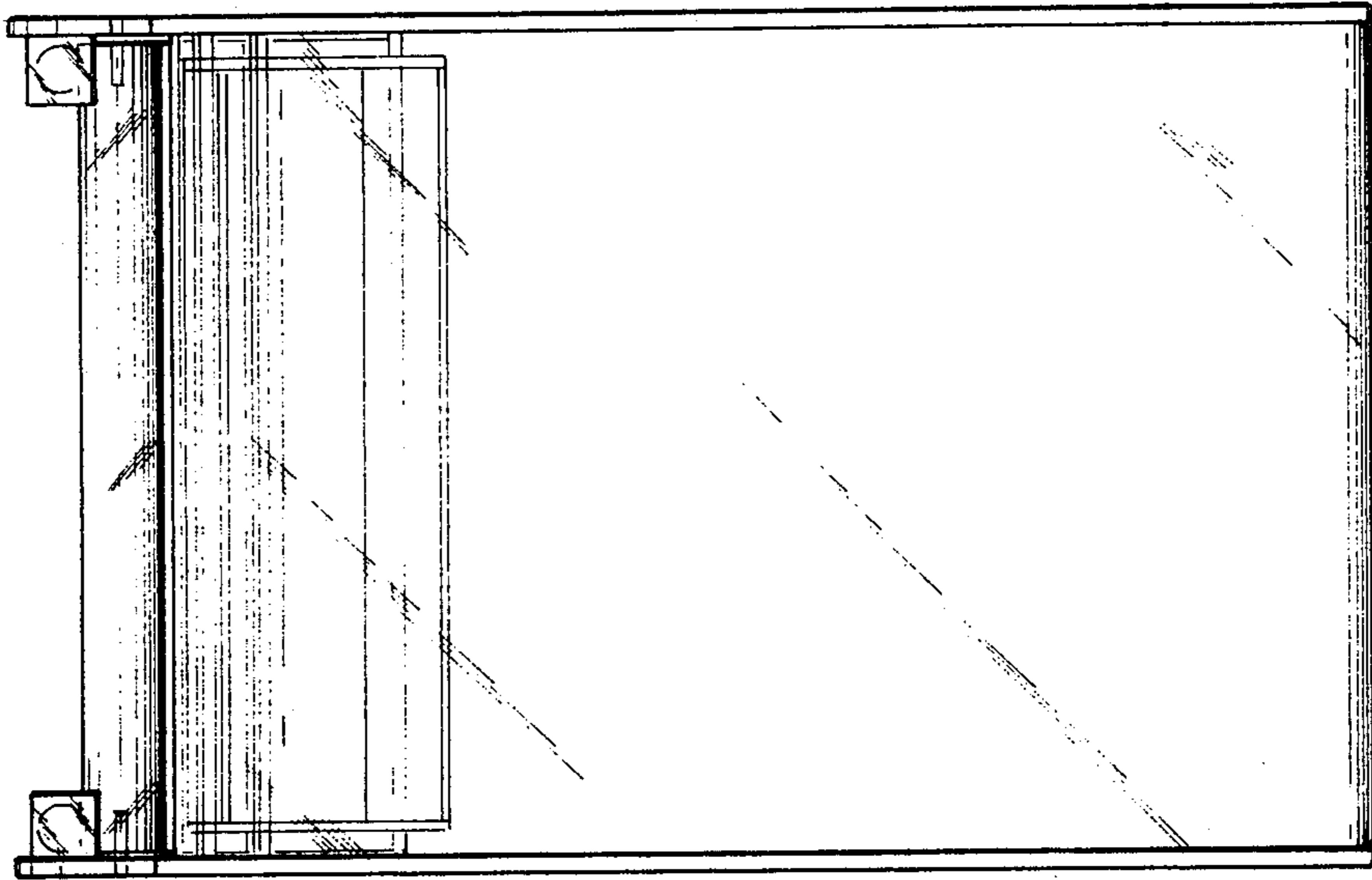


FIG. 5

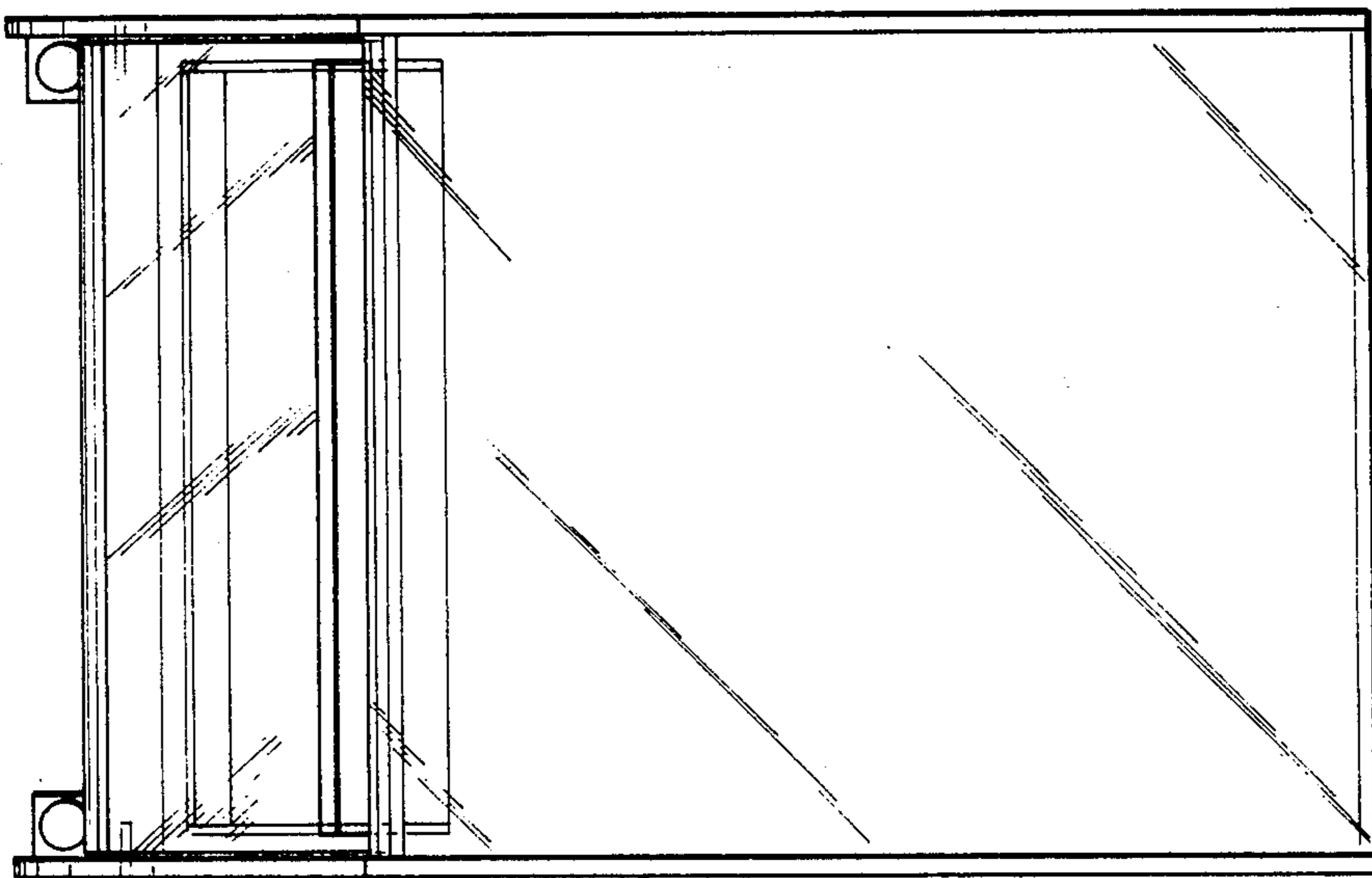


FIG. 3

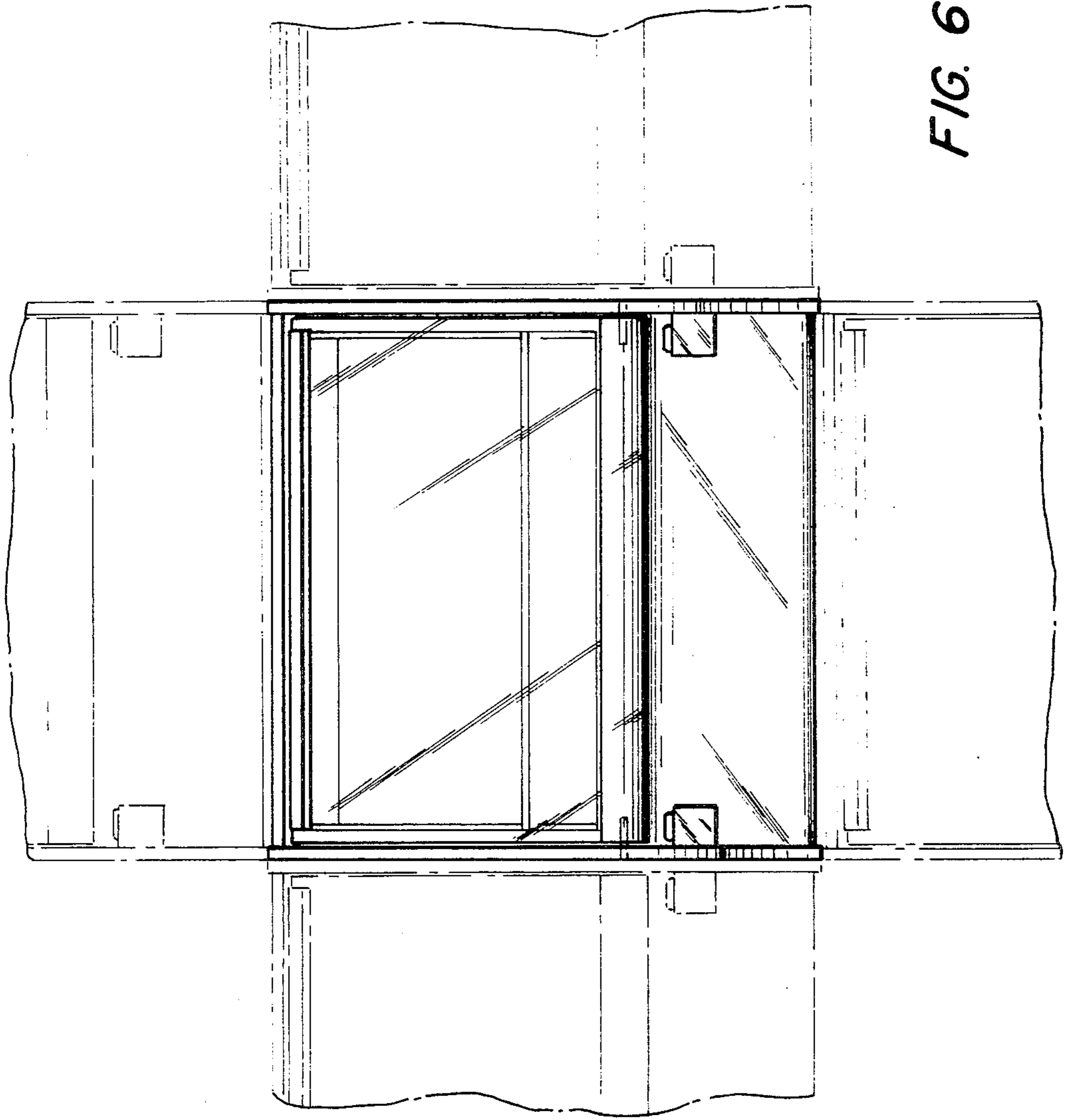


FIG. 6