

[54] **WINE BOTTLE DISPLAY RACK**

[76] **Inventor: La Verne Padgett, 1233 Candlewood Dr., Fullerton, Calif. 92633**

[**] **Term: 14 Years**

[21] **Appl. No.: 510,724**

[22] **Filed: Jul. 5, 1983**

[52] **U.S. Cl. D6/463; D6/465; D6/558; D6/566**

[58] **Field of Search D6/553, 556, 558, 566, D6/462, 463, 465, 466, 467, 468, 469; D7/71; 211/74, 75, 106; 248/311.3**

[56] **References Cited**

U.S. PATENT DOCUMENTS

D. 200,943	4/1965	Bleeck	D6/566
D. 232,284	8/1974	Shuck	D7/71 X
D. 247,660	4/1978	Tortorici	D7/71
1,962,608	6/1934	McEaghern	211/74
2,200,024	5/1970	De Sipio et al.	248/311.3 X
4,106,736	8/1978	Becker et al.	D6/566 X

FOREIGN PATENT DOCUMENTS

1039849 10/1953 France 248/311.3

Primary Examiner—Carmen H. Vales
Assistant Examiner—M. Lawrence
Attorney, Agent, or Firm—Edgar W. Averill, J

[57] **CLAIM**

The ornamental design for a wine bottle display rack, as shown.

DESCRIPTION

FIG. 1 is a perspective view of a wine bottle display rack showing my new design;
FIG. 2 is a top plan view thereof;
FIG. 3 is a front elevational view thereof;
FIG. 4 is a left-side elevational view thereof;
FIG. 5 is a right-side elevational view thereof;
FIG. 6 is a rear elevational view thereof; and
FIG. 7 is a bottom plan view thereof.

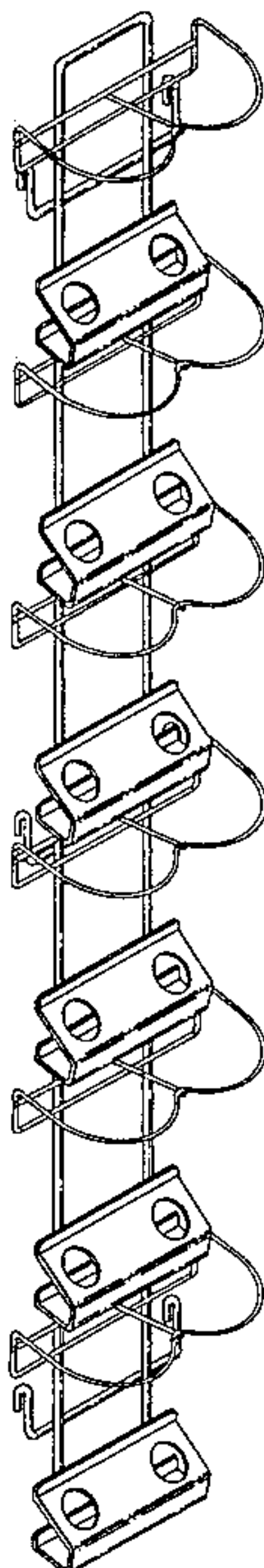


FIG. 1.

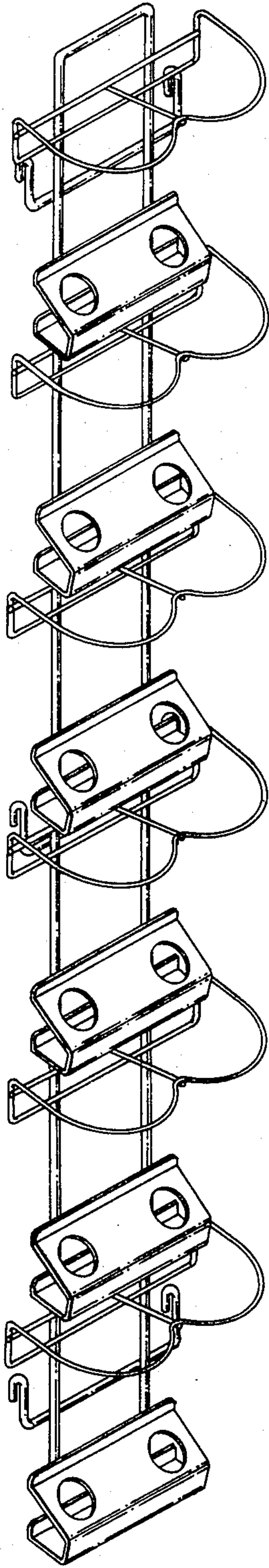


FIG. 2.

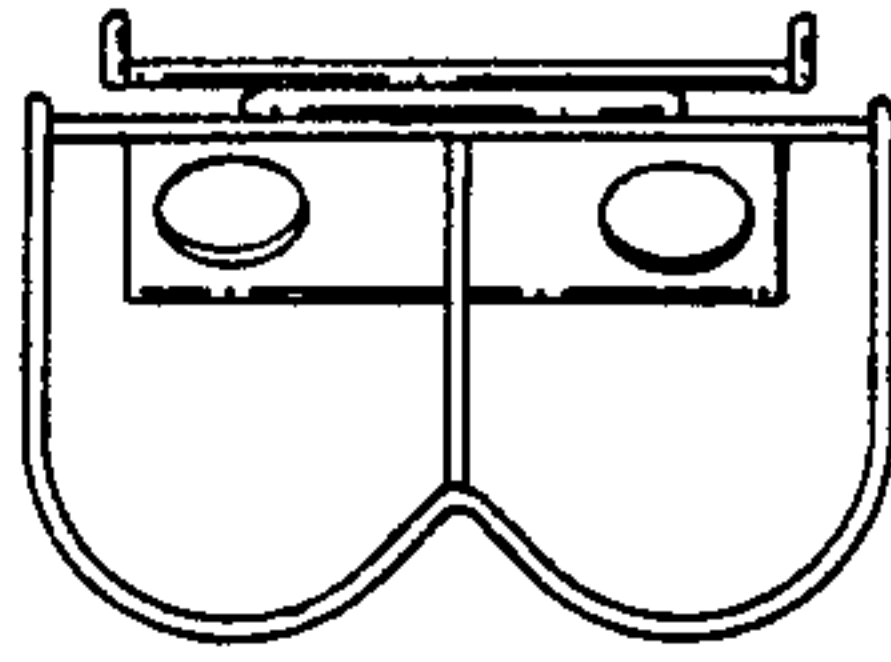


FIG. 4.

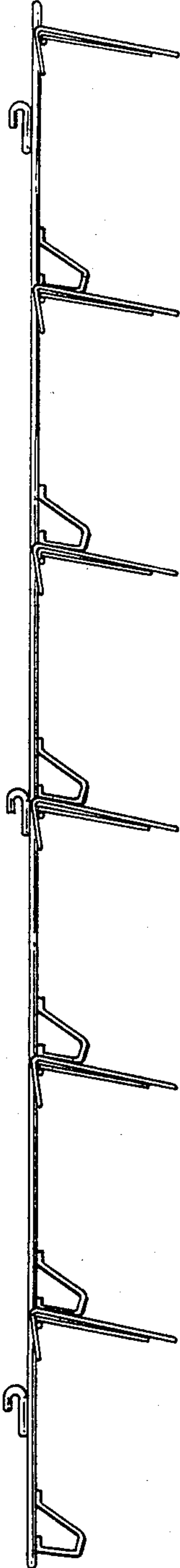


FIG. 3.

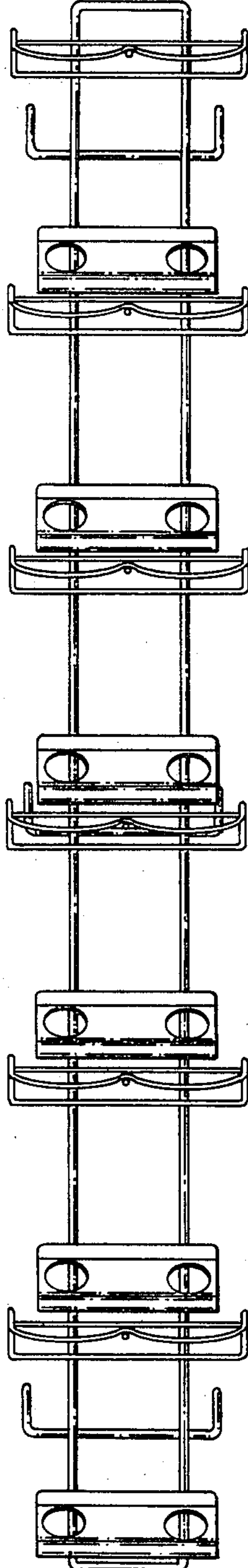


FIG. 5.

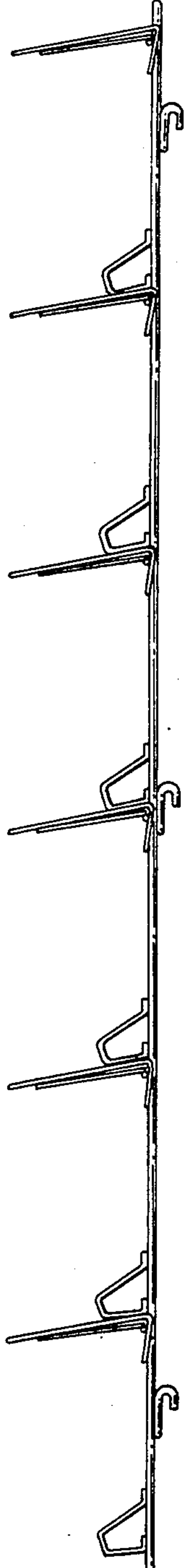


FIG. 6.

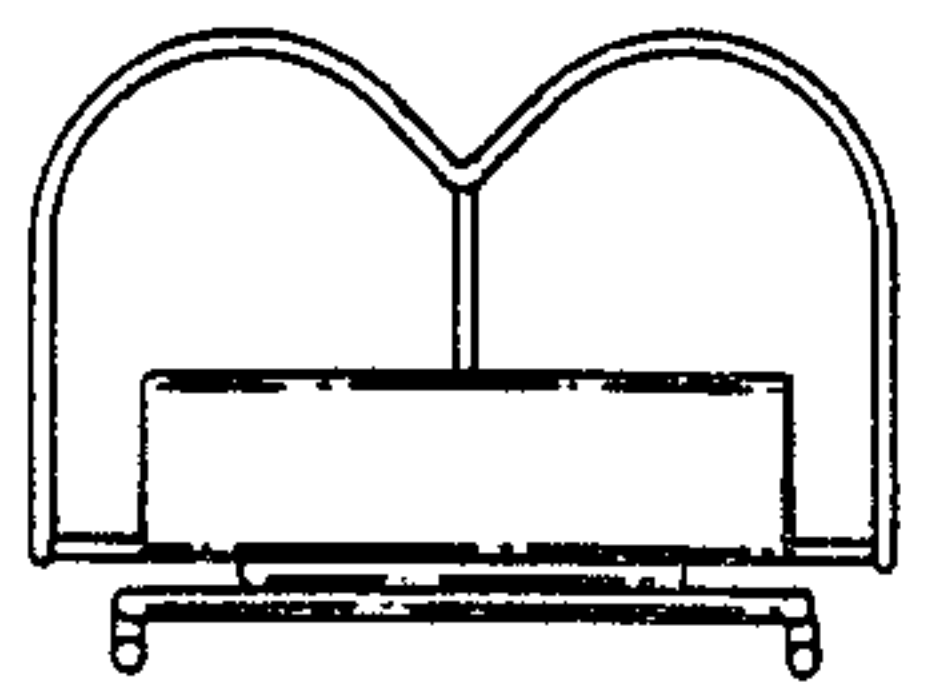
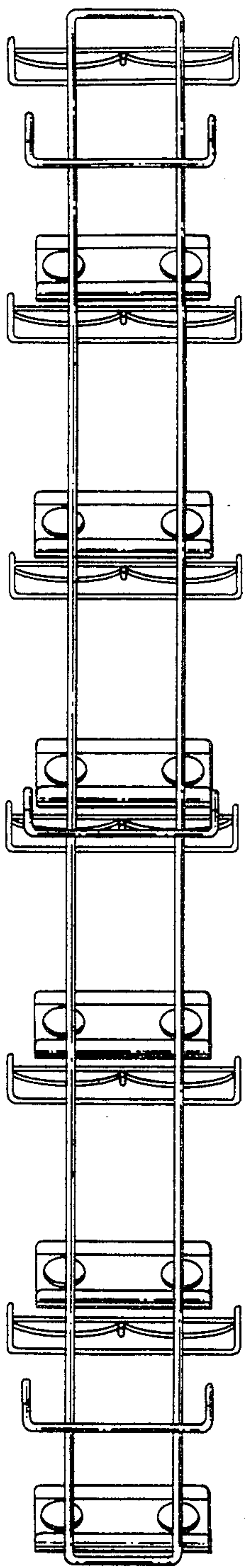


FIG. 7.