

[54] TILTABLE STOOL

[76] Inventor: Jonathan Elmaleh, 4 Second St., Brooklyn, N.Y. 11231

[\*\*] Term: 14 Years

[21] Appl. No.: 550,018

[22] Filed: Nov. 8, 1983

[52] U.S. Cl. .... D6/349; D6/365; D6/486

[58] Field of Search ..... D6/344, 348, 349, 364, D6/365; 297/258, 296, 297, 298

[56] References Cited

U.S. PATENT DOCUMENTS

- D. 78,726 6/1929 Baylis ..... D27/12
- D. 234,277 2/1975 Salmon et al. .... D6/349
- D. 249,300 9/1978 Szabo et al. .... D6/366 X

D. 266,037 9/1982 Heighberger ..... D6/349

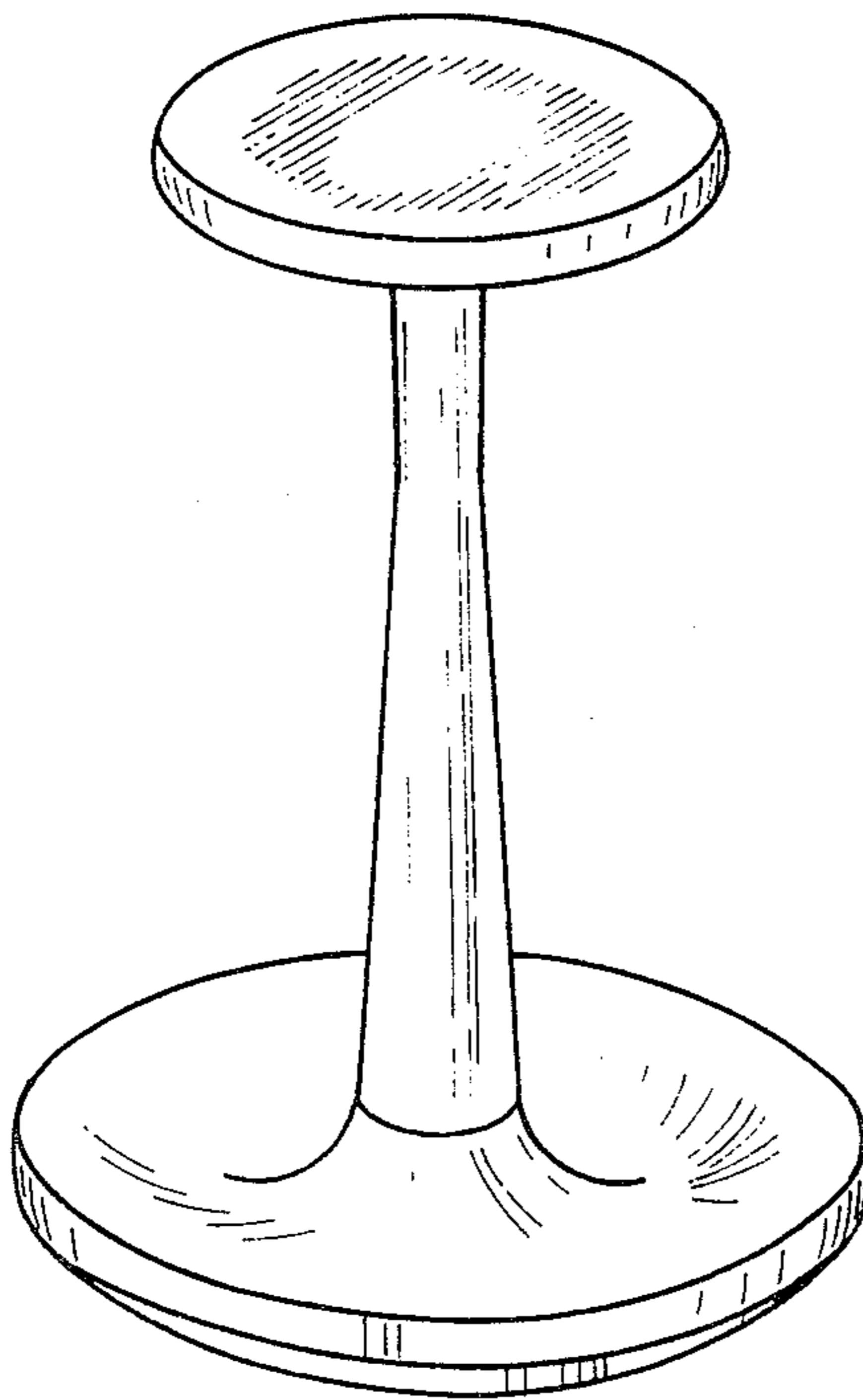
Primary Examiner—Bruce W. Dunkins  
Attorney, Agent, or Firm—Ladas & Parry

[57] CLAIM

The ornamental design for a tiltable stool, as shown and described.

DESCRIPTION

FIG. 1 is a side elevational view of a tiltable stool showing my design;  
 FIG. 2 is a top plan view;  
 FIG. 3 is a side elevational view of a second embodiment of the stool;  
 FIG. 4 is a perspective view of the FIG. 1 embodiment;  
 FIG. 5 is a side elevational view of a third embodiment of the stool; and  
 FIG. 6 is a side elevational view showing a fourth embodiment of the tiltable stool.



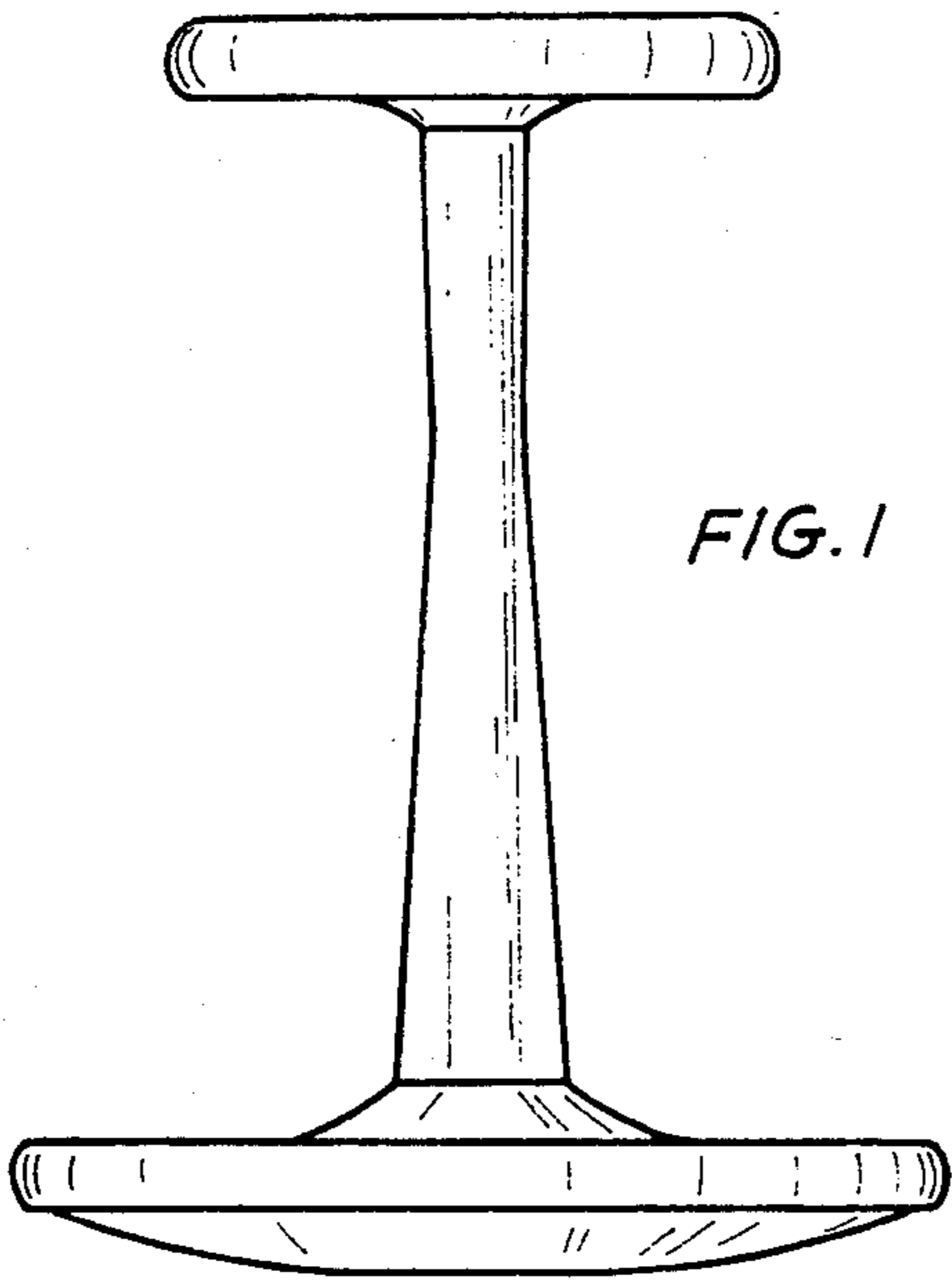


FIG. 1

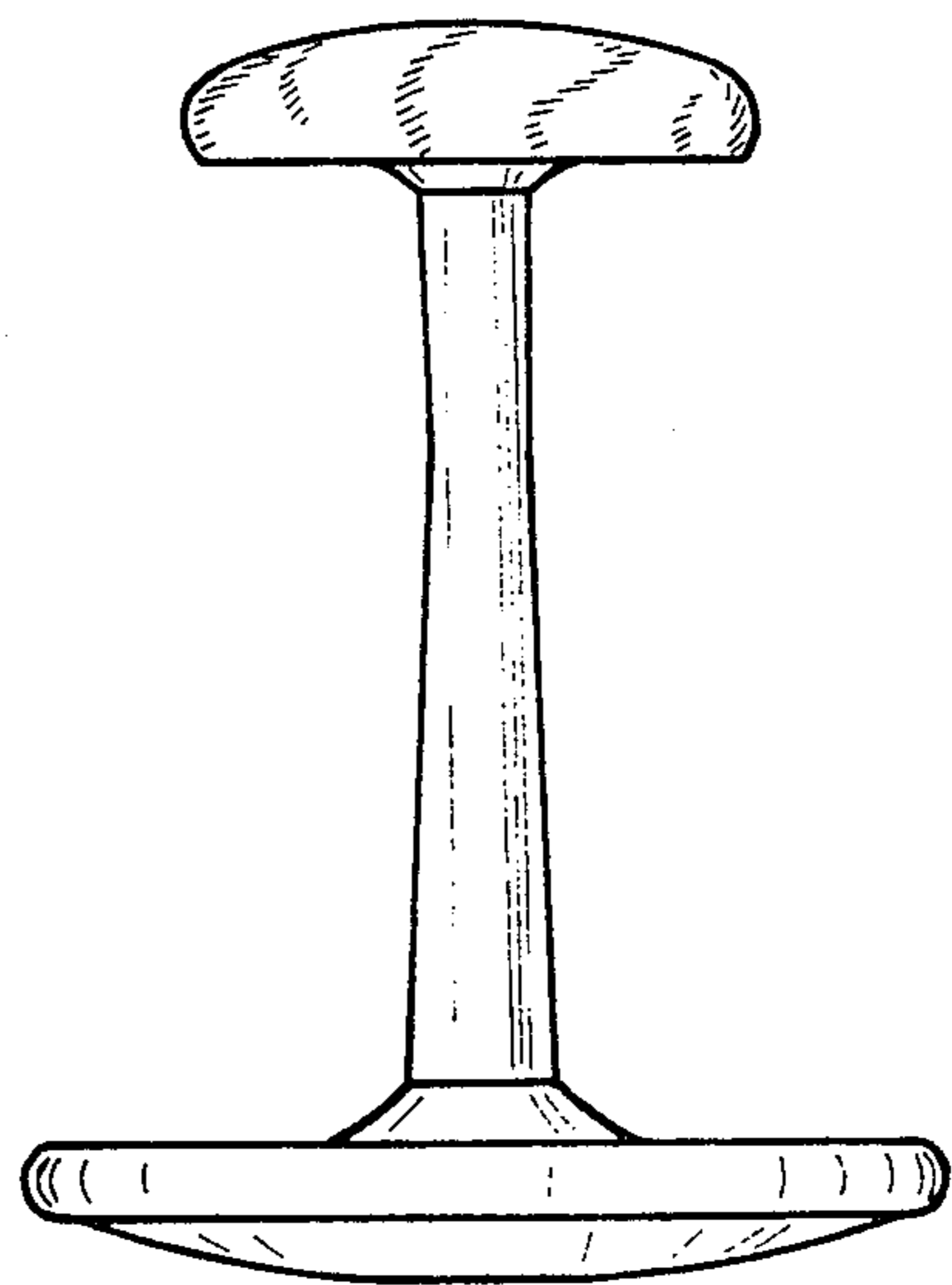


FIG. 3

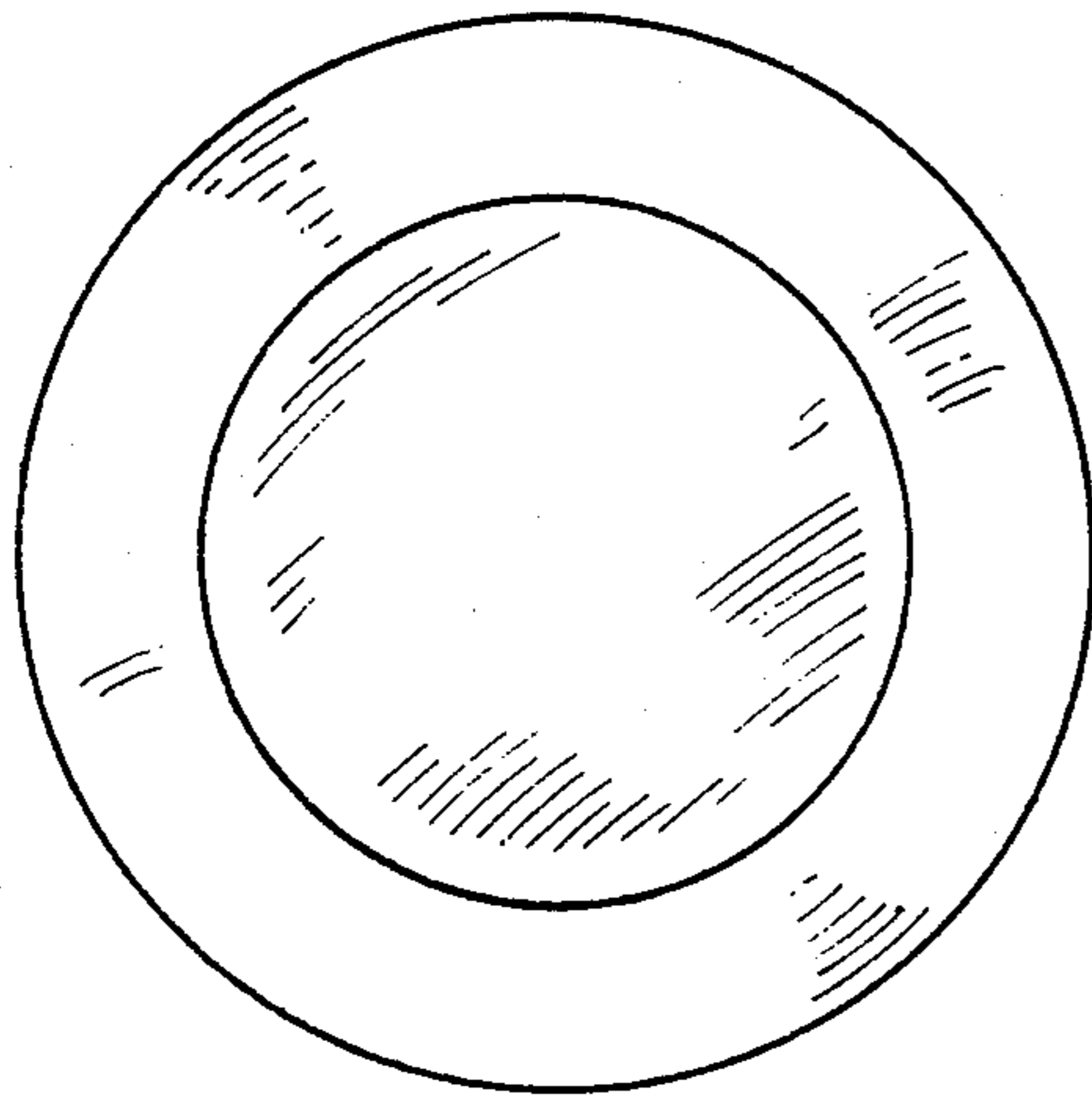


FIG. 2

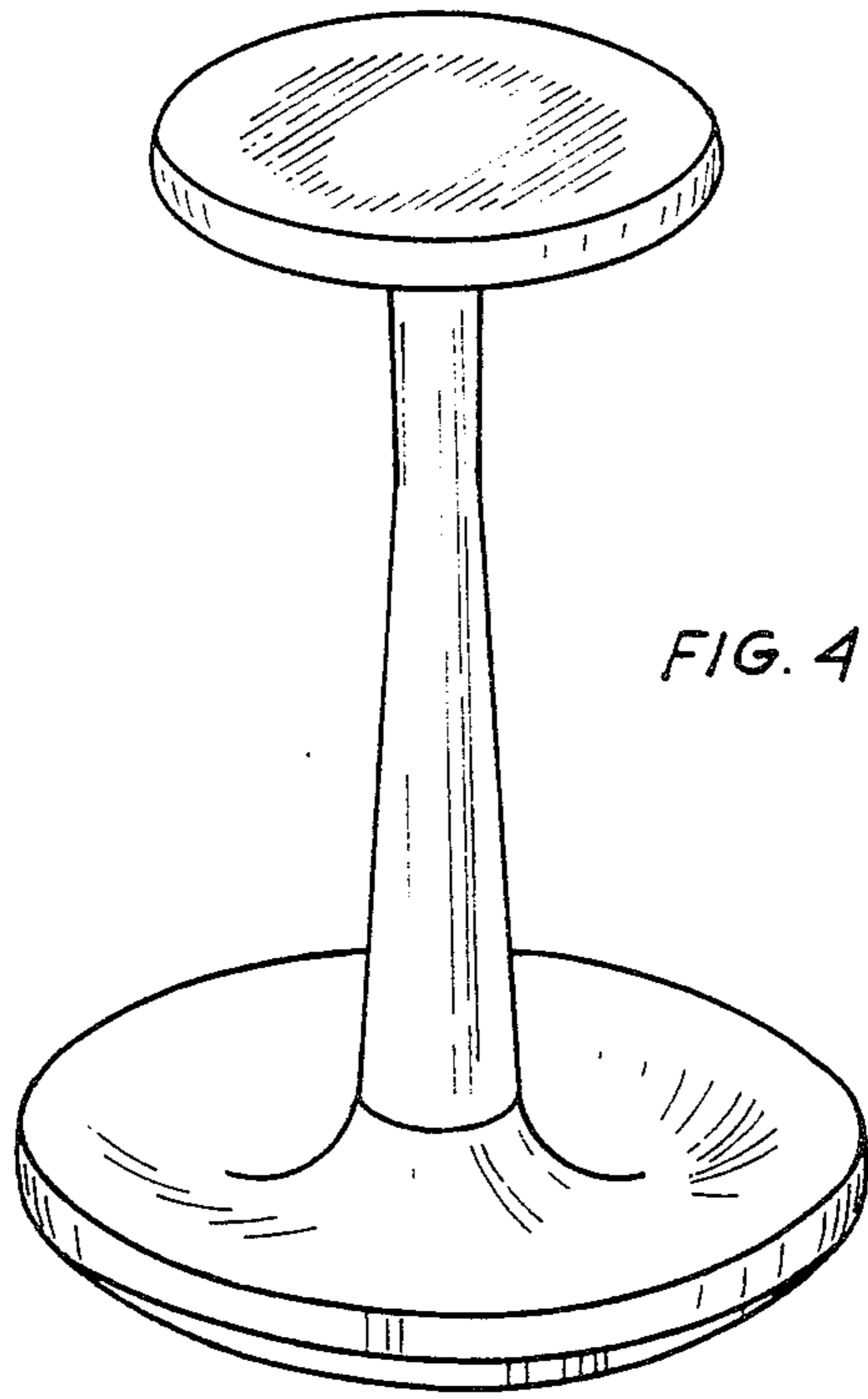


FIG. 4

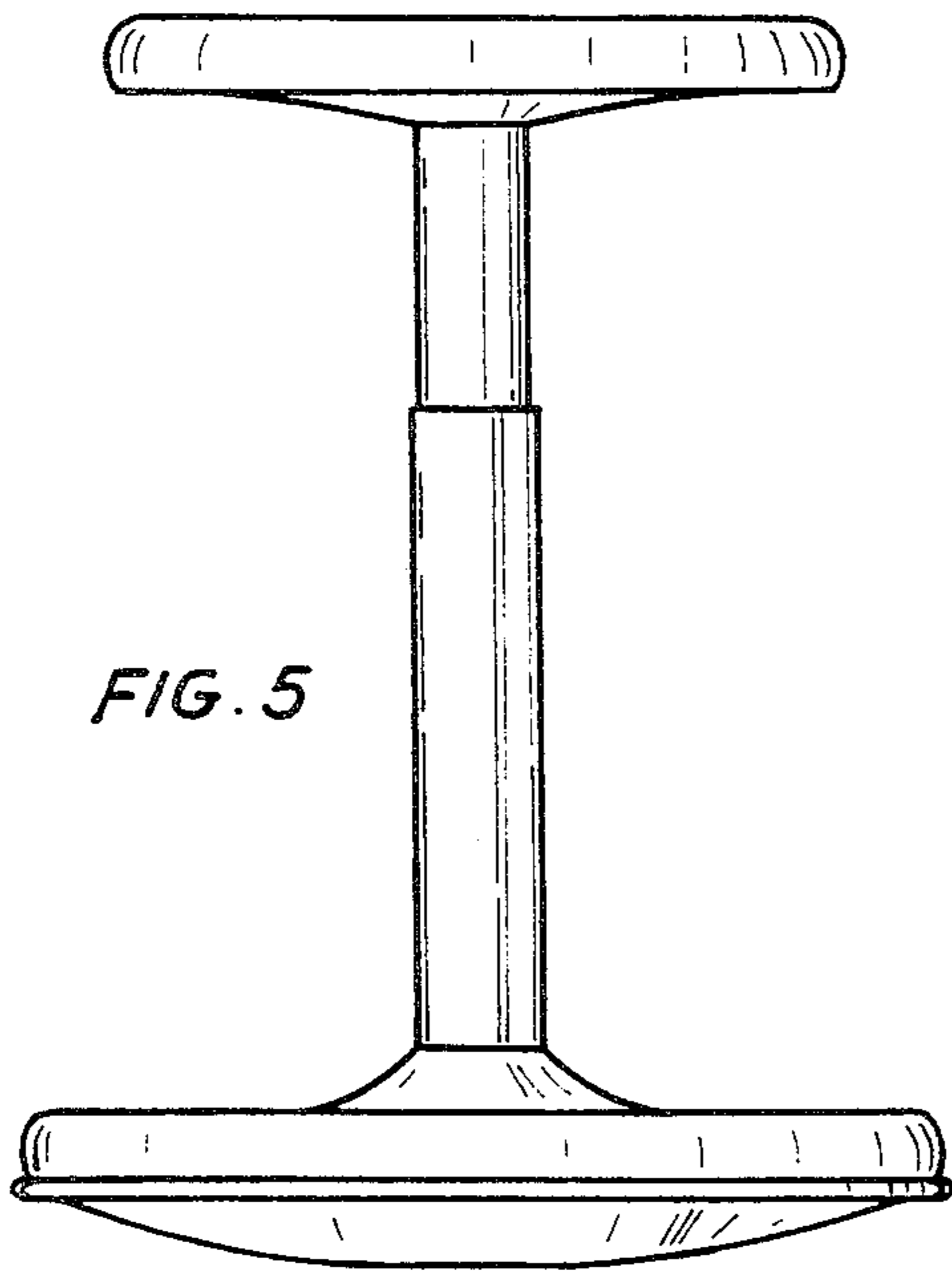


FIG. 5

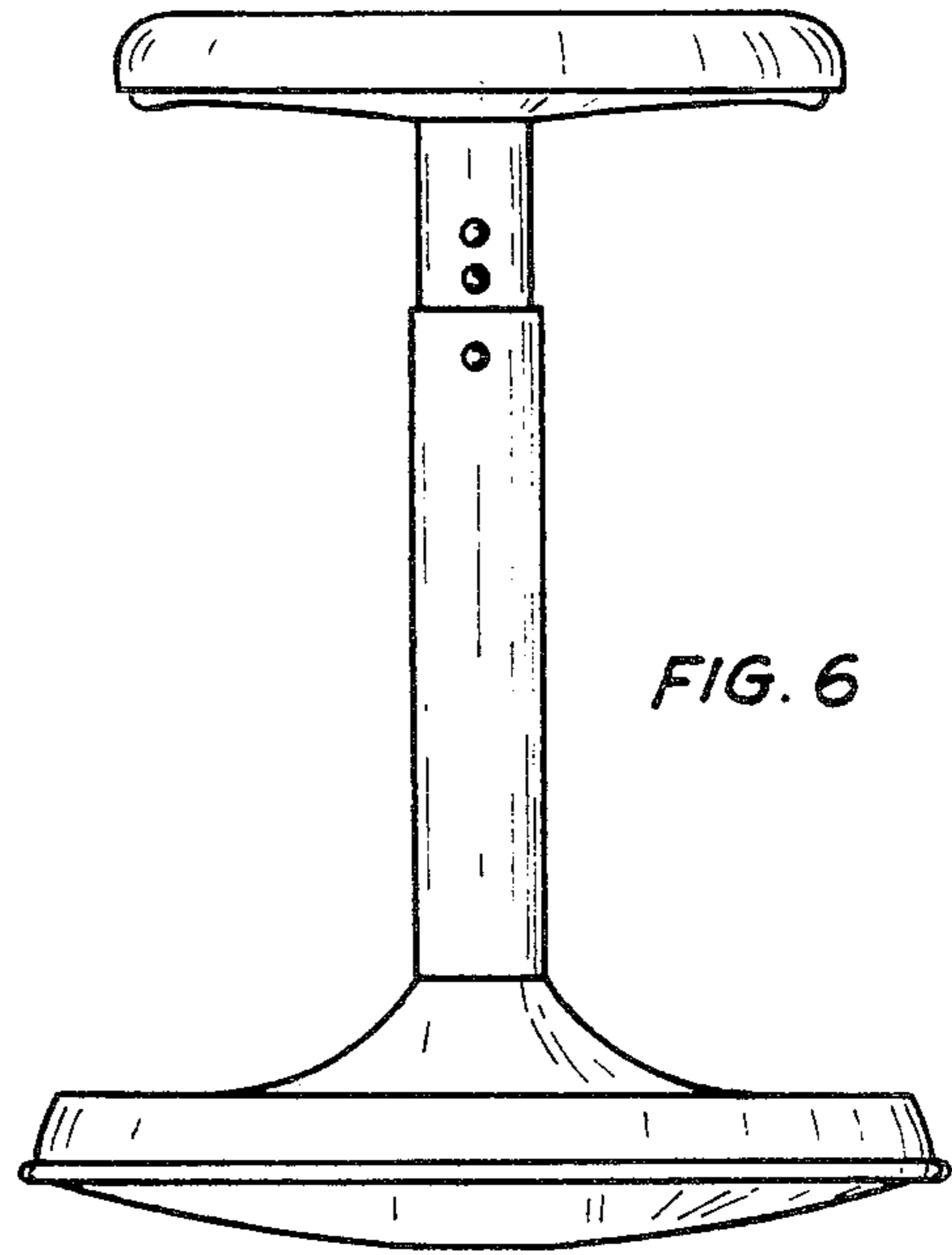


FIG. 6