

[54] BOOSTER SEAT

[75] Inventor: Stanley M. Kujawski, East Aurora, N.Y.

[73] Assignee: The Quaker Oats Company, Chicago, Ill.

[**] Term: 14 Years

[21] Appl. No.: 576,265

[22] Filed: Feb. 2, 1984

[52] U.S. Cl. D6/333; D6/334

[58] Field of Search D6/333, 334, 372, 374, D6/375

[56] References Cited

U.S. PATENT DOCUMENTS

D. 104,770 6/1937 Eppenstein D6/364

D. 203,041 11/1965 Regan D6/334
D. 223,756 6/1972 Steinhart D6/334
D. 244,569 6/1977 Laroye D6/375 X
D. 252,490 7/1979 Petersilie D6/334

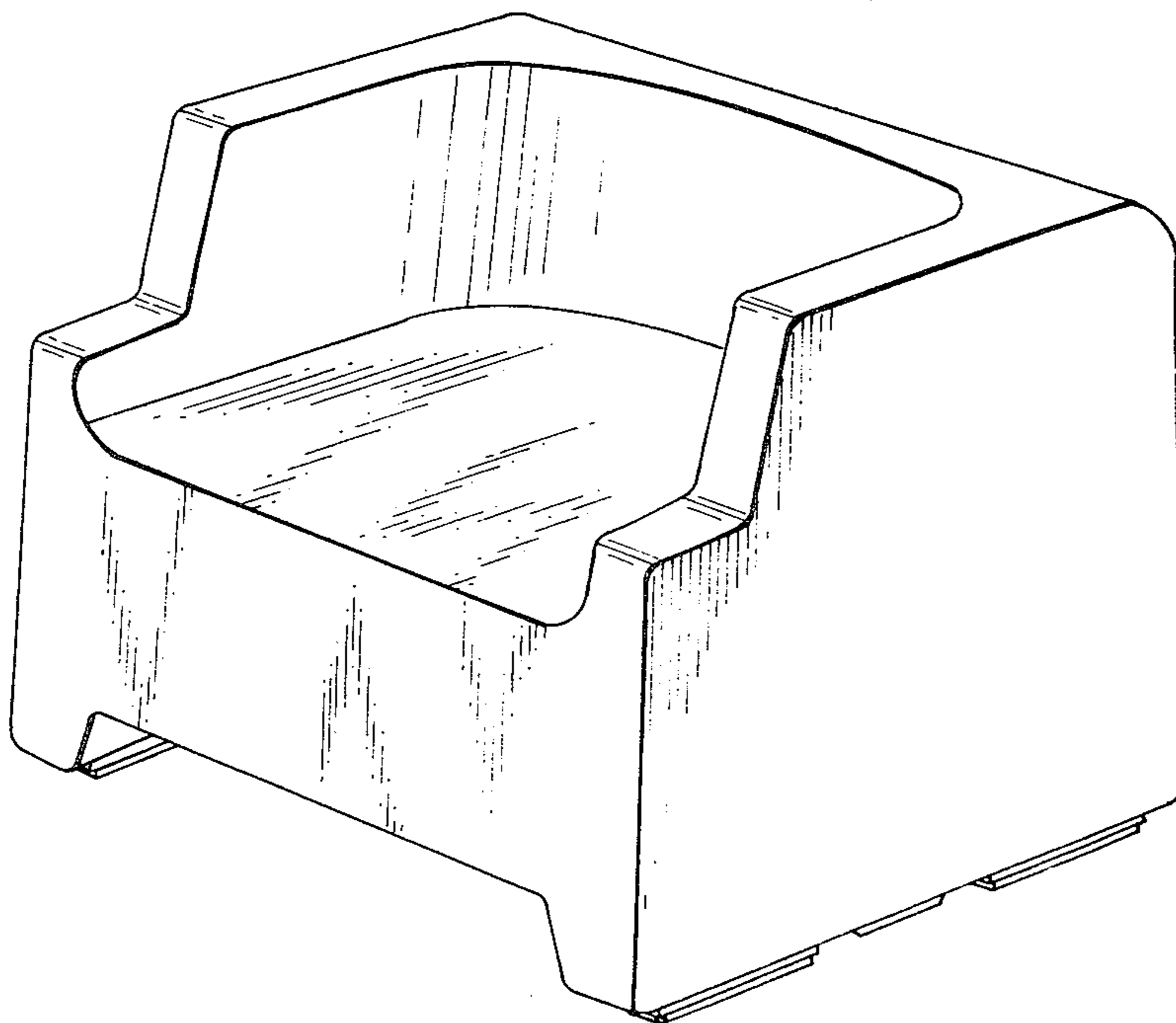
Primary Examiner—Bruce W. Dunkins
Attorney, Agent, or Firm—Cumpston & Shaw

[57] CLAIM

The ornamental design for a booster seat, substantially as shown and described.

DESCRIPTION

FIG. 1 is a perspective view of the top, front and right side of a booster seat showing my new design; FIG. 2 is a left-side elevational view thereof, the right side being substantially a mirror image thereof; FIG. 3 is a rear elevational view thereof; and FIG. 4 is a bottom plan view thereof.



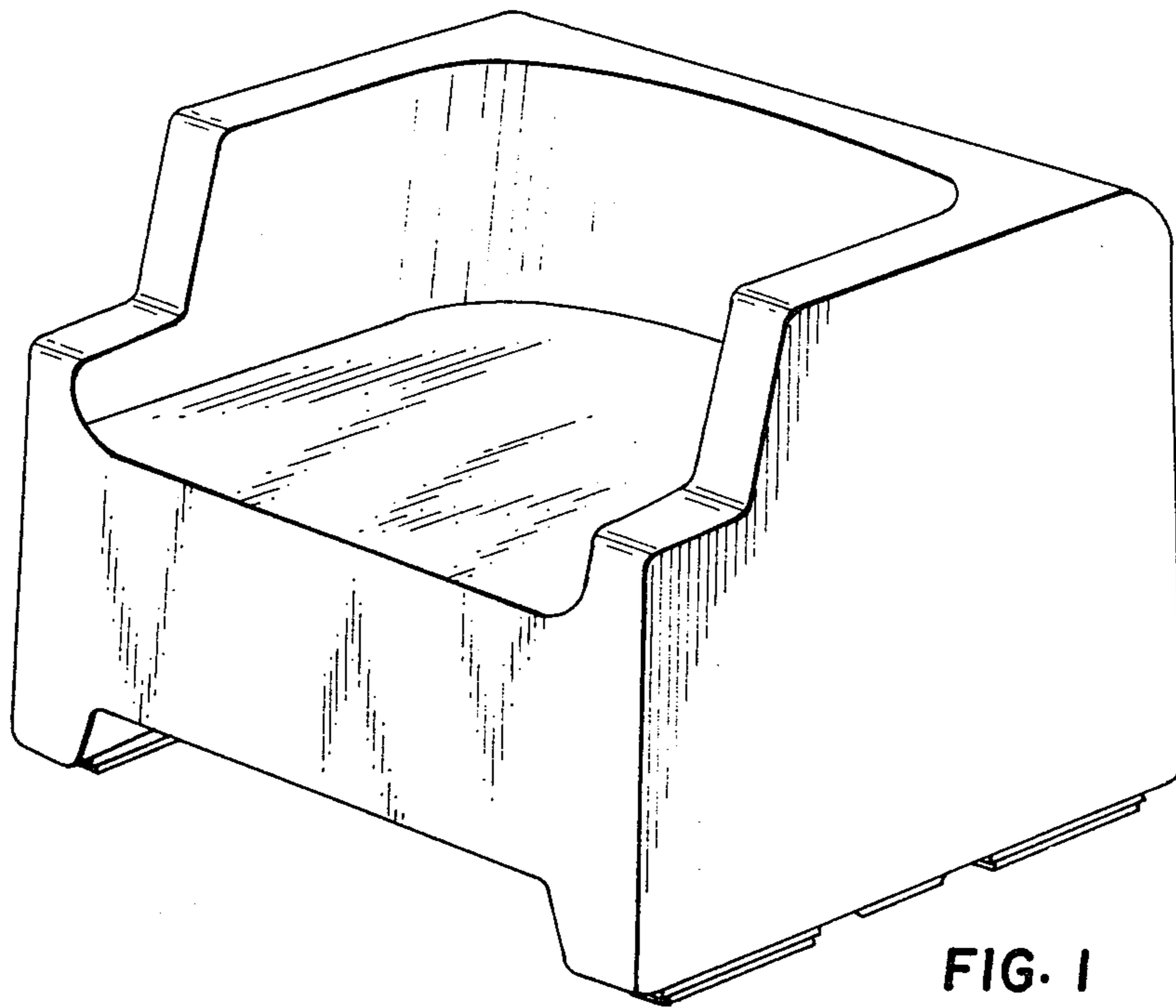


FIG. 1

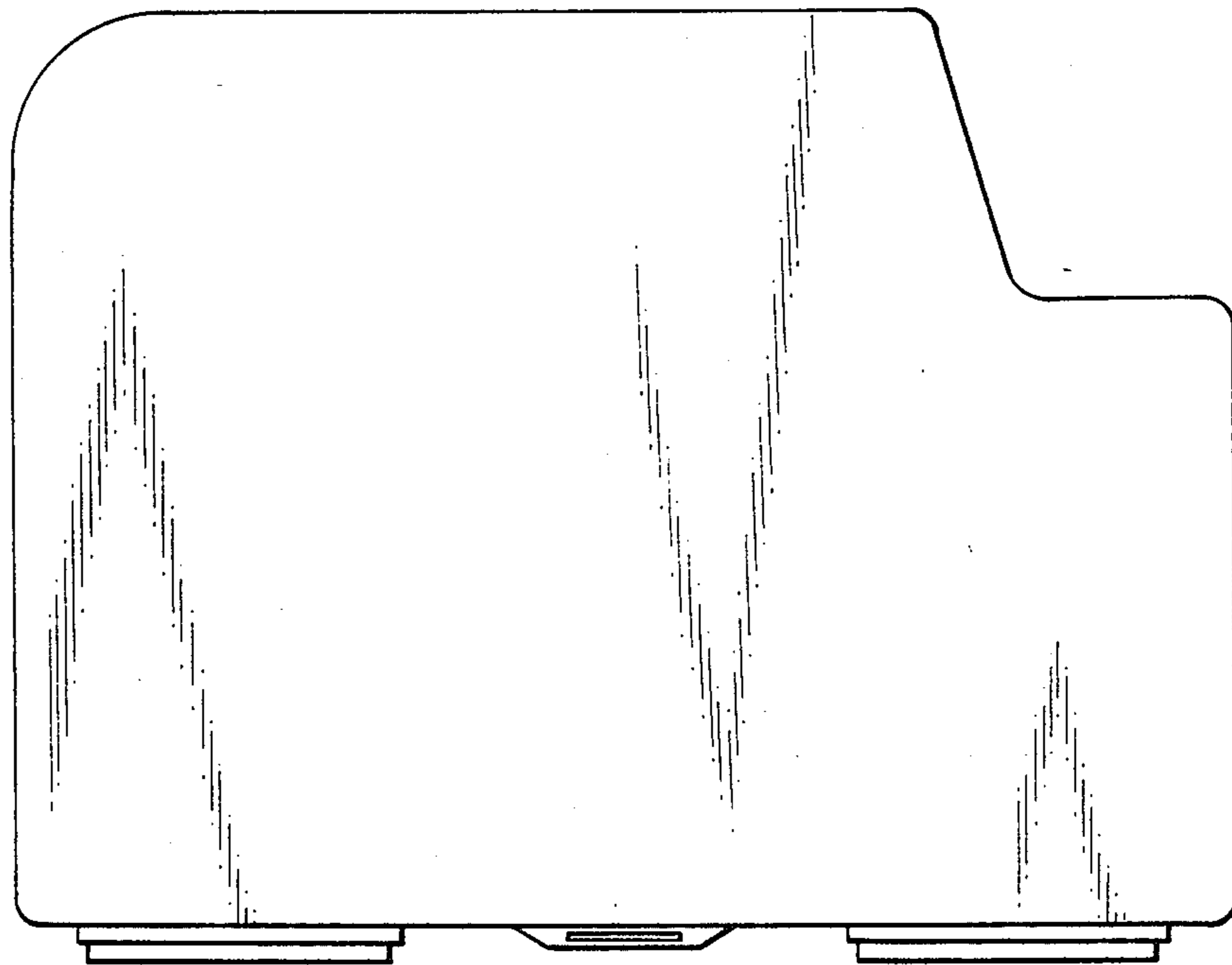


FIG. 2

