

[54] SOFTBALL EQUIPMENT CADDY OR SIMILAR ARTICLE

2,889,863 6/1959 Arnold, Jr. 206/315.1
3,977,521 8/1976 Murphy 273/25

[75] Inventor: Elmer A. Wessel, Lincoln, Nebr.

Primary Examiner—Melvin B. Feifer
Attorney, Agent, or Firm—Vincent L. Carney

[73] Assignee: Industrial Machine Specialties, Inc.,
Lincoln, Nebr.

[57] CLAIM

[**] Term: 14 Years

The ornamental design for a softball equipment caddy or similar article, substantially as shown and described.

[21] Appl. No.: 557,051

DESCRIPTION

[22] Filed: Dec. 1, 1983

[52] U.S. Cl. D3/36

[58] Field of Search D21/199; D3/36;
273/25 R; 206/315.1; 150/52 R

FIG. 1 is a perspective view of a softball equipment caddy or similar article showing my new design;
FIG. 2 is a front elevational view of FIG. 1;
FIG. 3 is a rear elevational view of FIG. 1;
FIG. 4 is a plan view of FIG. 1;
FIG. 5 is a bottom view of FIG. 1;
FIG. 6 is a left side elevational view of FIG. 1; and
FIG. 7 is a right side elevational view of FIG. 1.

[56] References Cited

U.S. PATENT DOCUMENTS

2,457,454 12/1948 Dunlap 273/25

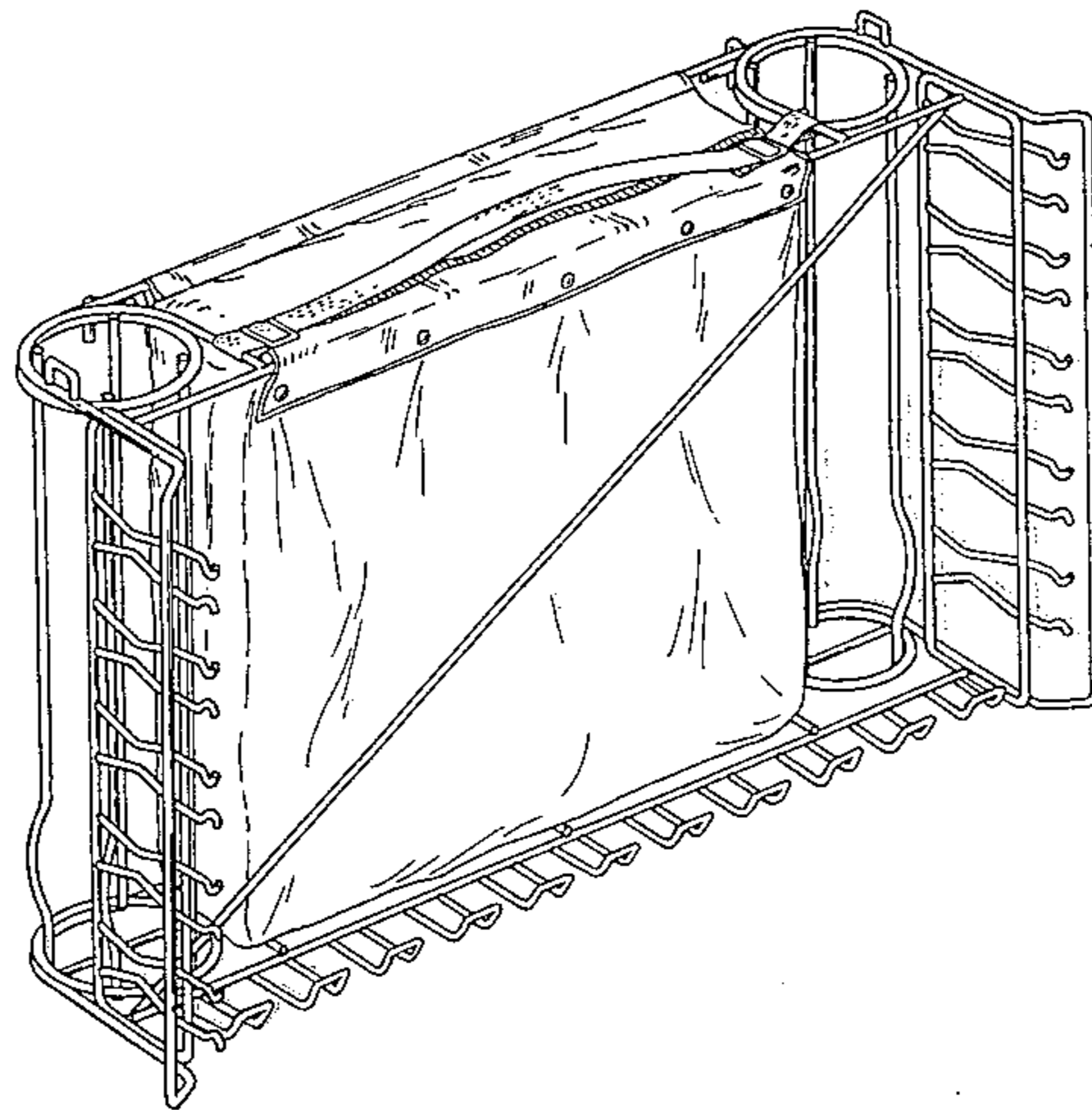


FIG. 1

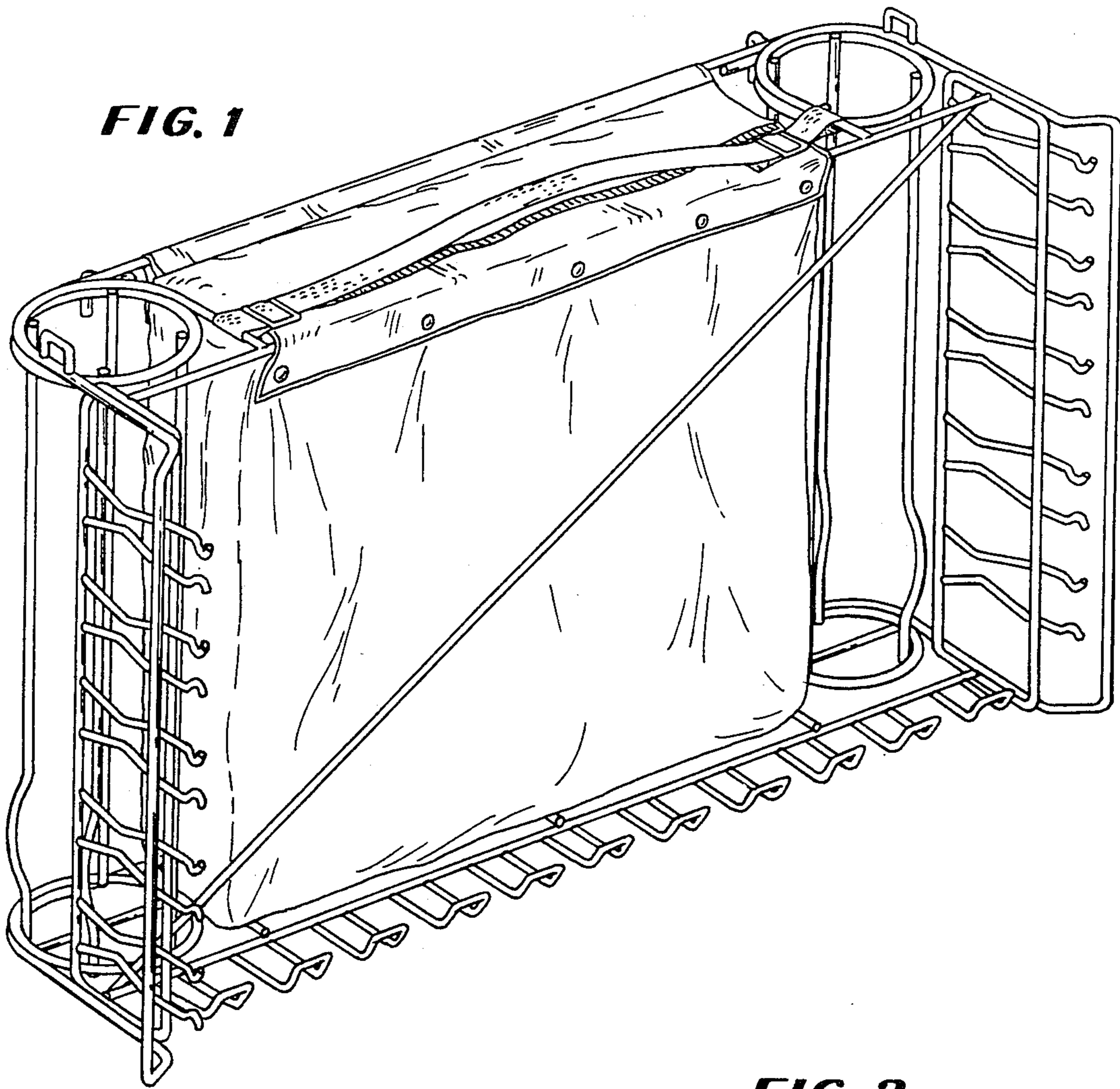


FIG. 2

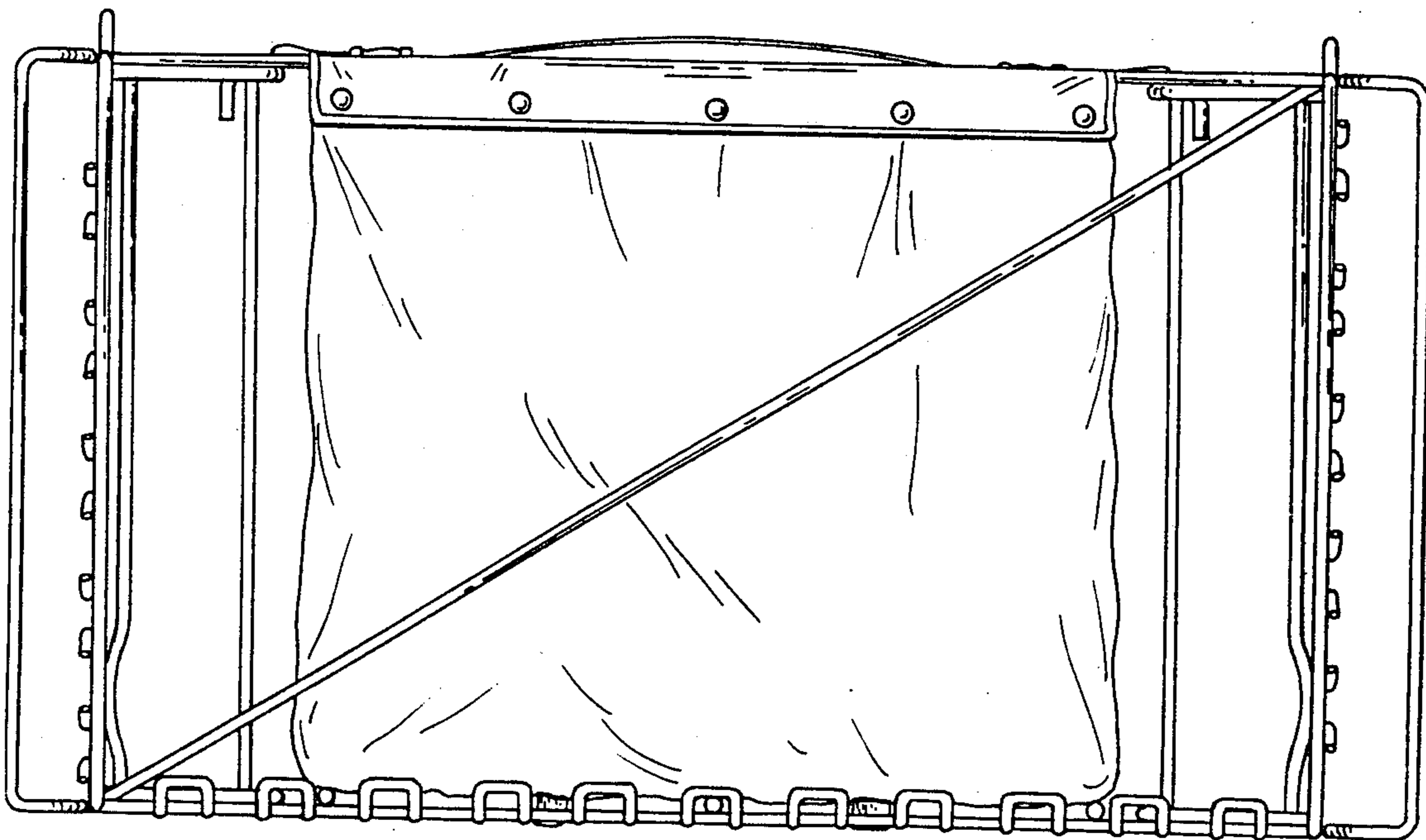


FIG. 3

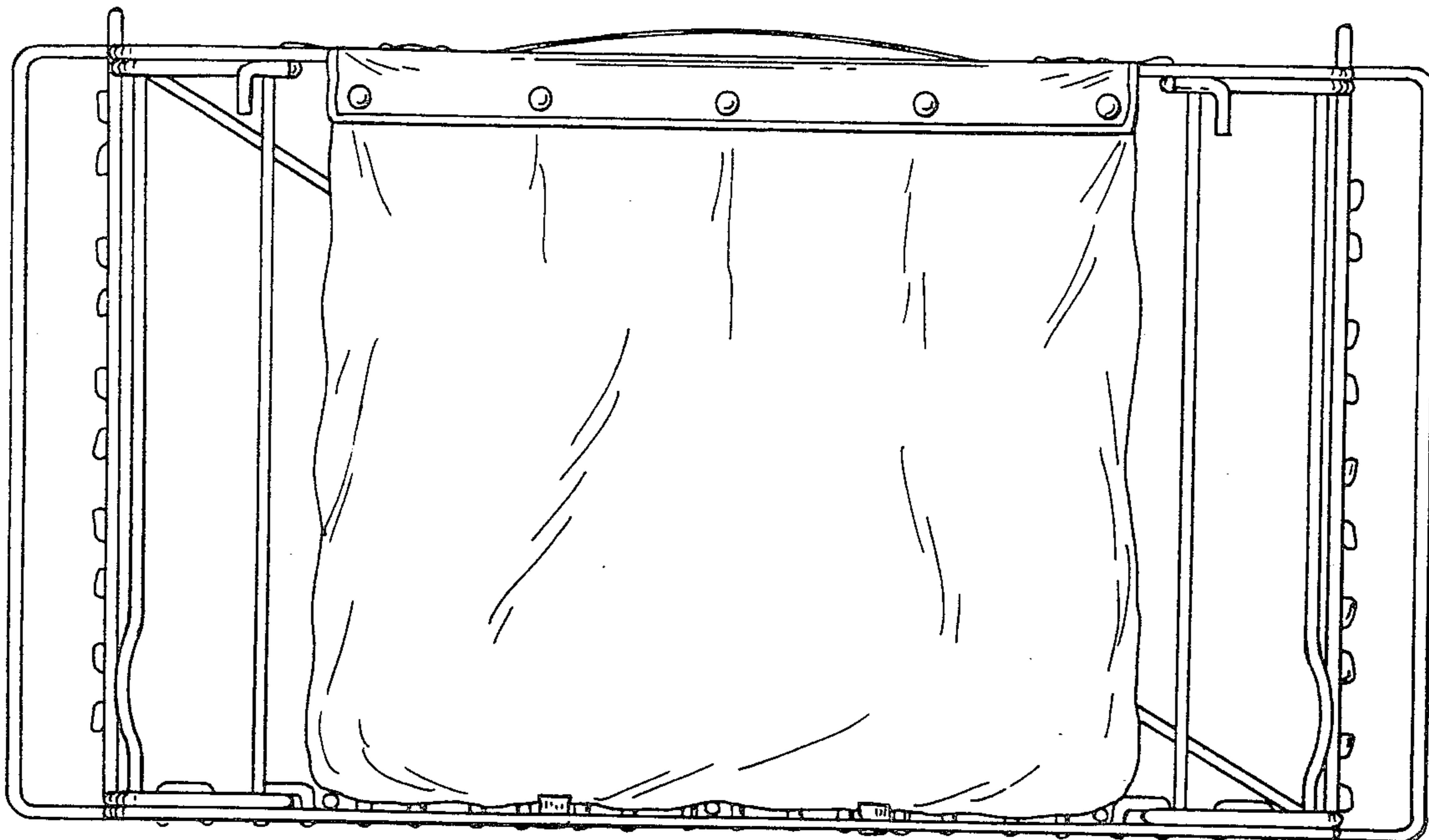


FIG. 4

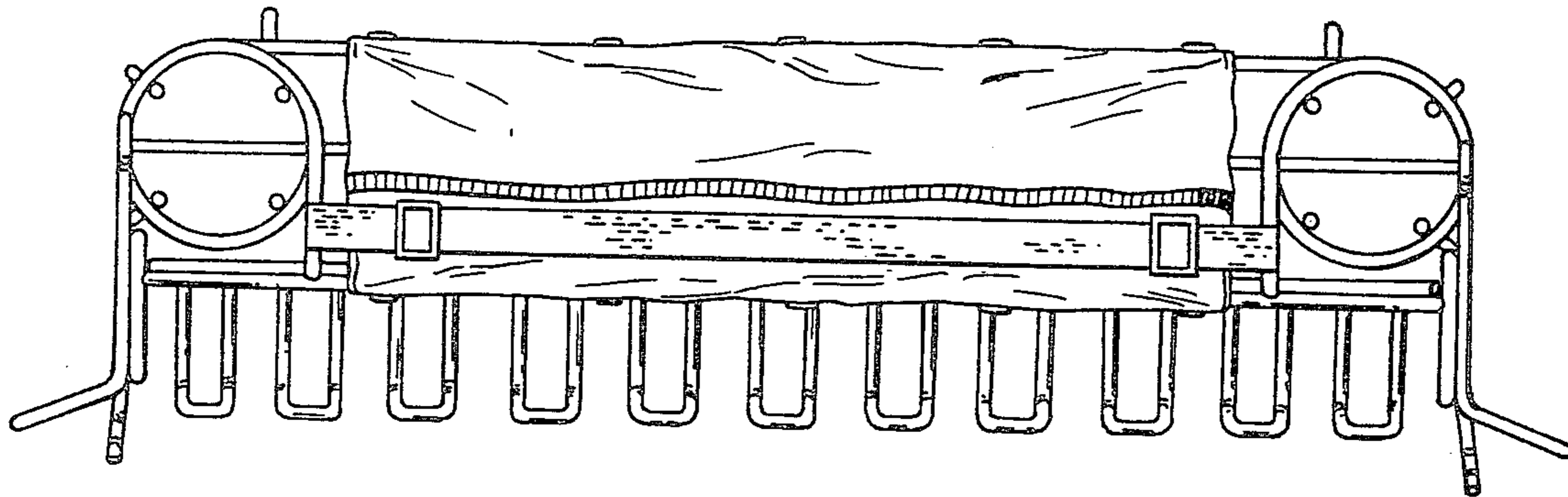


FIG. 5

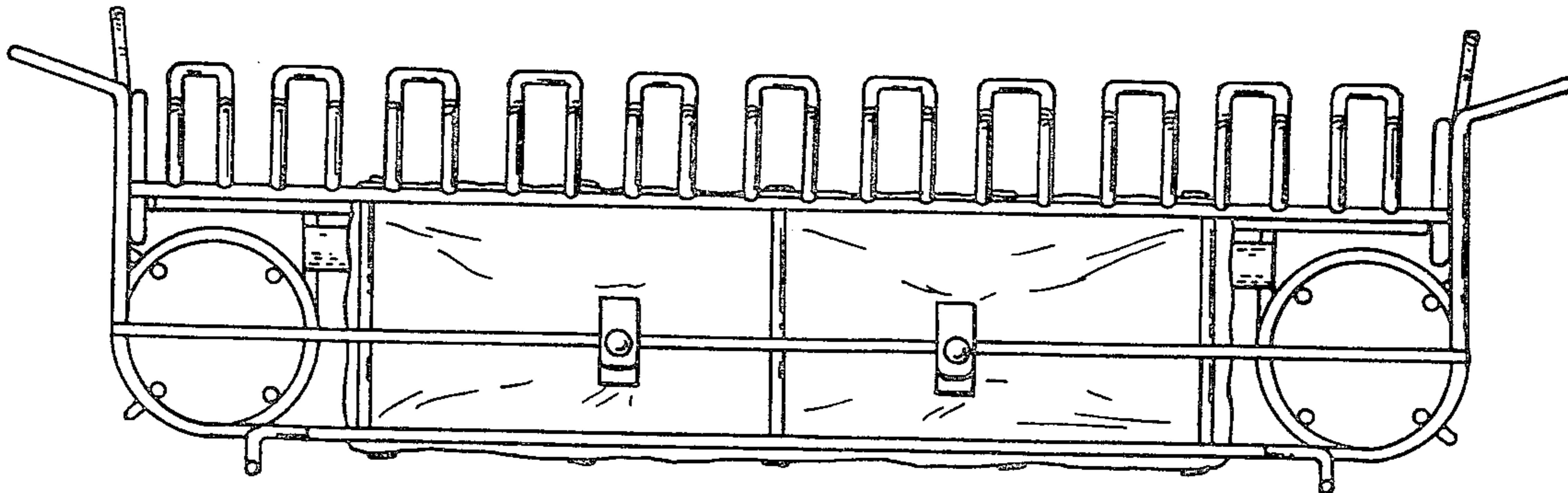


FIG. 6

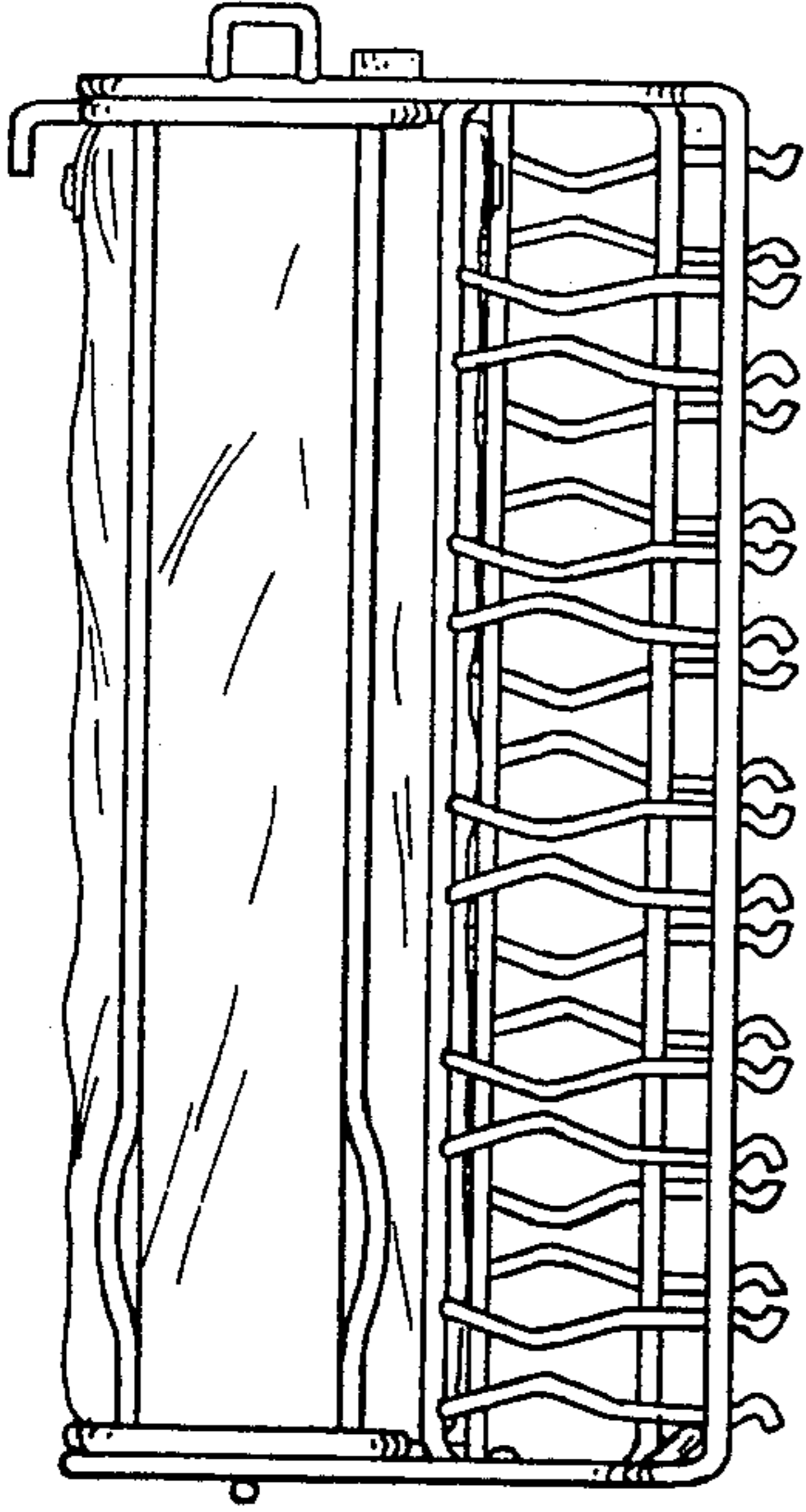


FIG. 7

