

[54] HOUSING FOR AN AIR CONDITIONER

[75] Inventor: Keiichi Kimura, Yao, Japan

[73] Assignee: Kimura Koki Company Limited, Osaka, Japan

[**] Term: 14 Years

[21] Appl. No.: 527,406

[22] Filed: Aug. 29, 1983

[52] U.S. Cl. D23/141

[58] Field of Search D23/139-154; 98/40.05, 40.08, 40.14, 40.15; 62/262

[56] References Cited

U.S. PATENT DOCUMENTS

D. 221,946	9/1971	Garrett et al.	D23/140
D. 244,375	5/1977	Samuels et al.	D23/141
D. 254,442	3/1980	Cerrone	D23/149
3,424,233	1/1969	Meckler	98/40.08 X
3,701,895	10/1972	Sweetser	98/40.08 X

OTHER PUBLICATIONS

Architectural Record, Apr. 1961, p. 210.

Primary Examiner—James B. Largent
Attorney, Agent, or Firm—Stevens, Davis, Miller & Mosher

[57] CLAIM

The ornamental design for housing for an air conditioner, as shown and described.

DESCRIPTION

FIG. 1 is a perspective view taken from the bottom, front and left side of a housing for an air conditioner showing my new design;
FIG. 2 is a top plan view thereof;
FIG. 3 is a front elevational view thereof, the rear being a mirror image of the front shown;
FIG. 4 is a bottom plan view thereof;
FIG. 5 is a right side elevational view thereof; and
FIG. 6 is a cross-sectional view taken on the line 6—6 of FIG. 3.

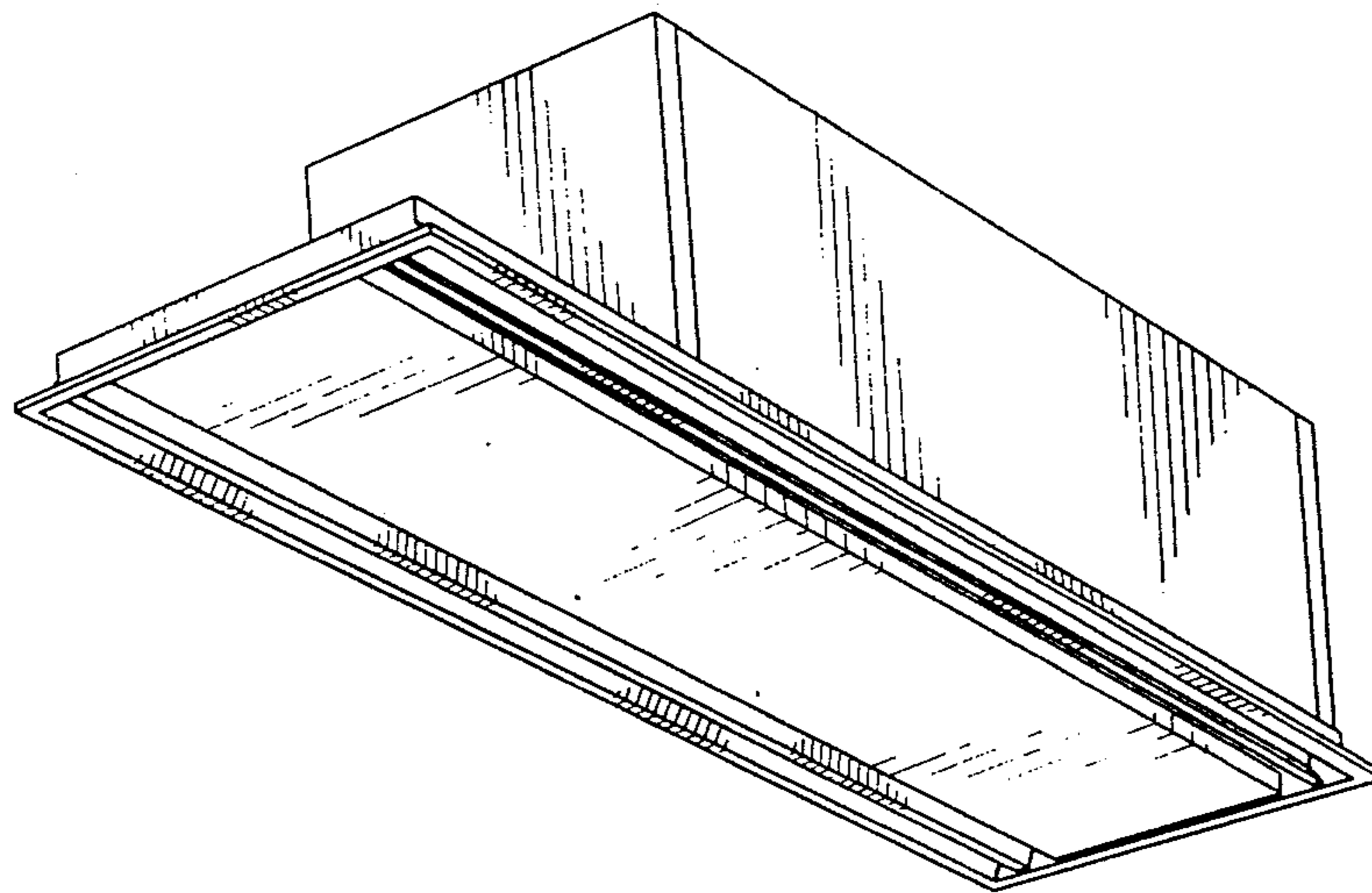


FIG. 1

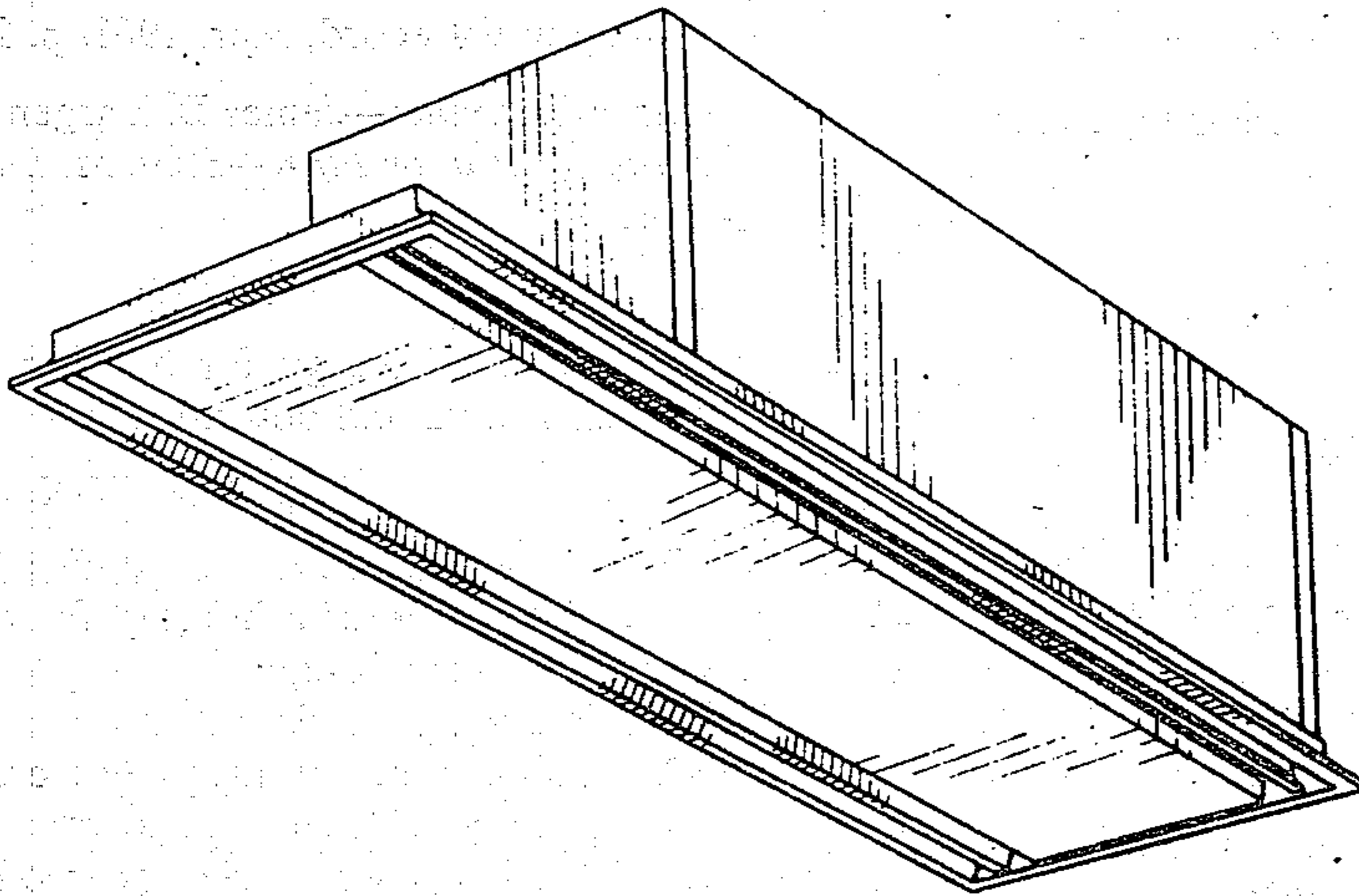


FIG. 2

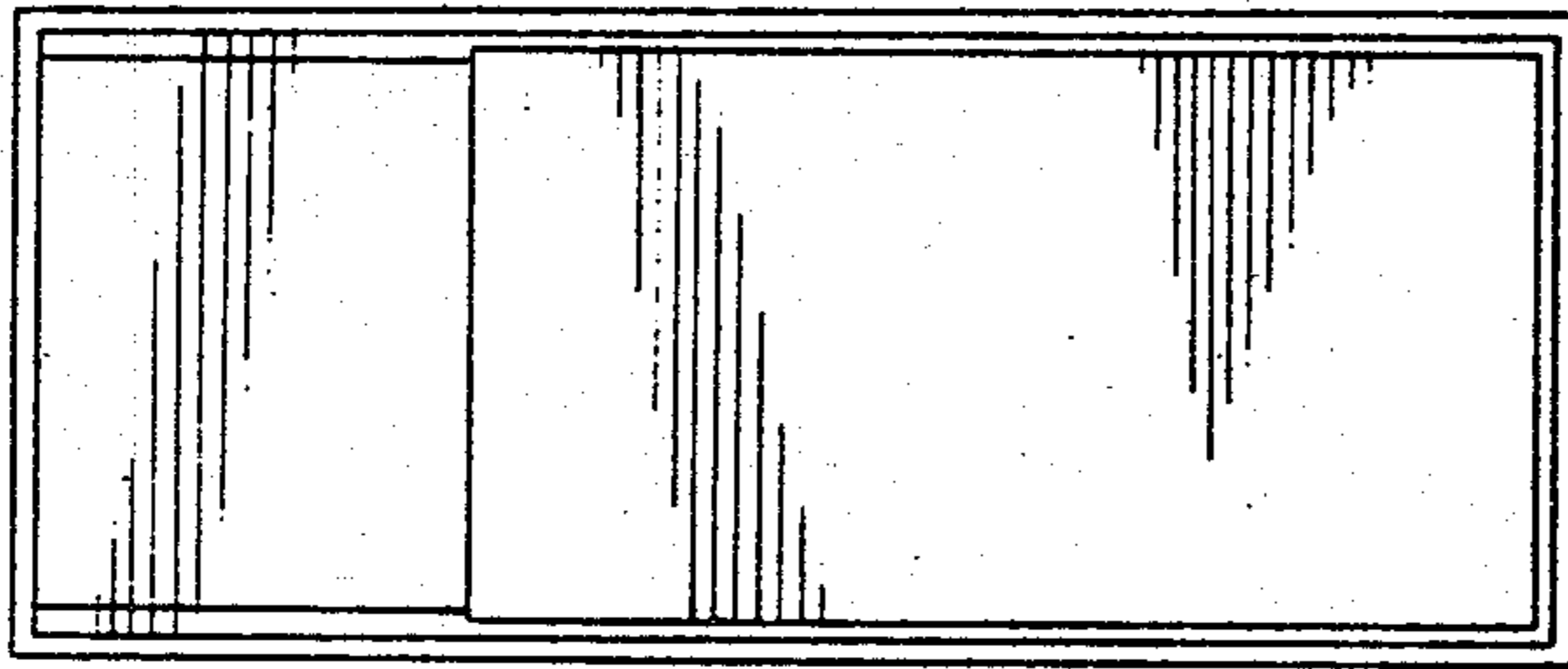


FIG. 3

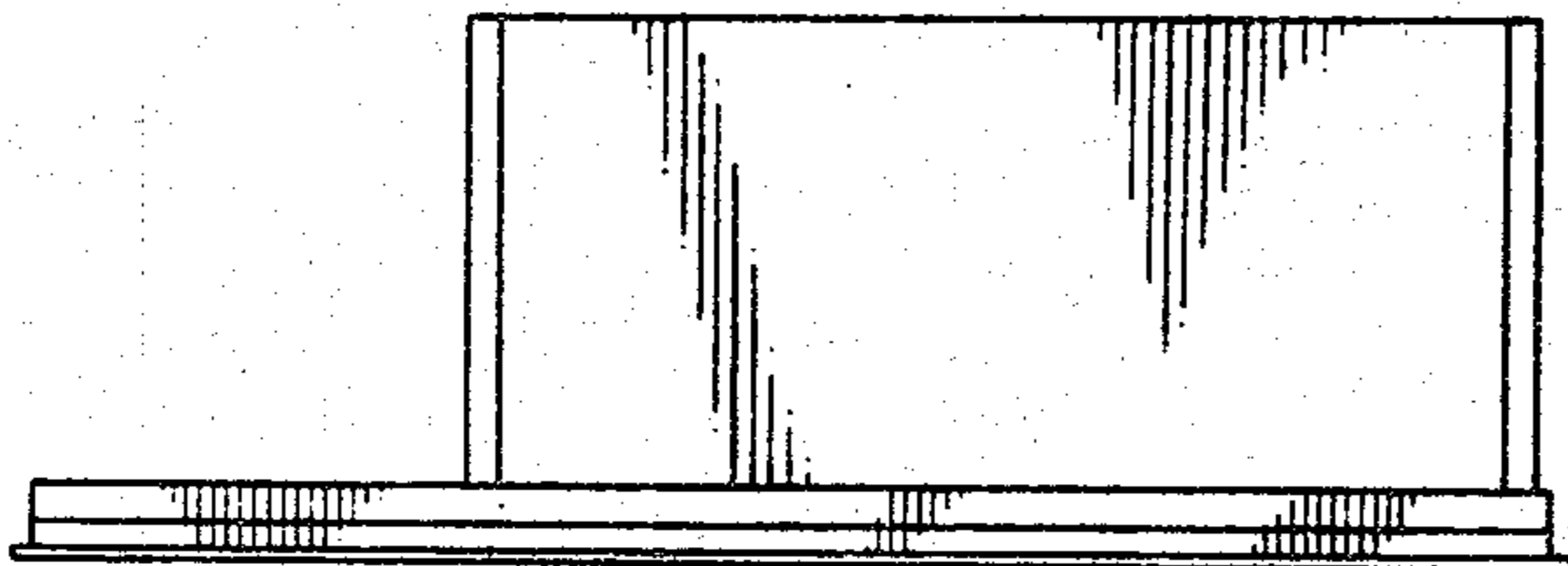


FIG. 5

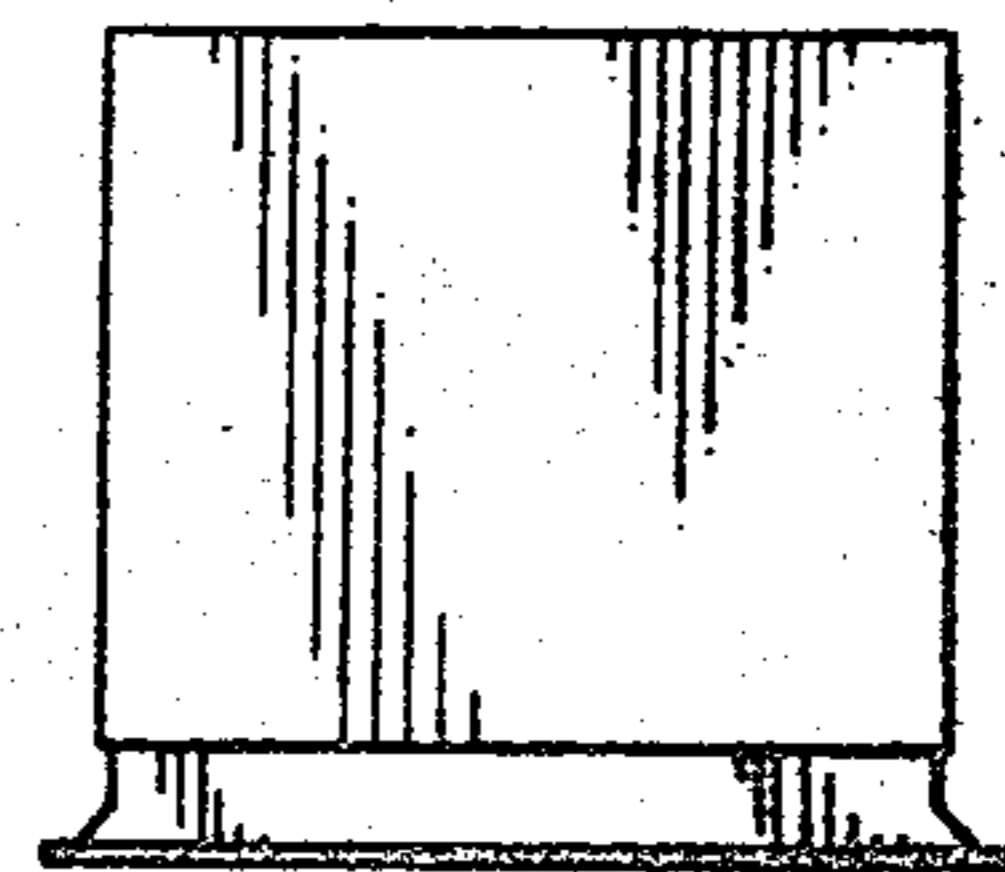


FIG. 4

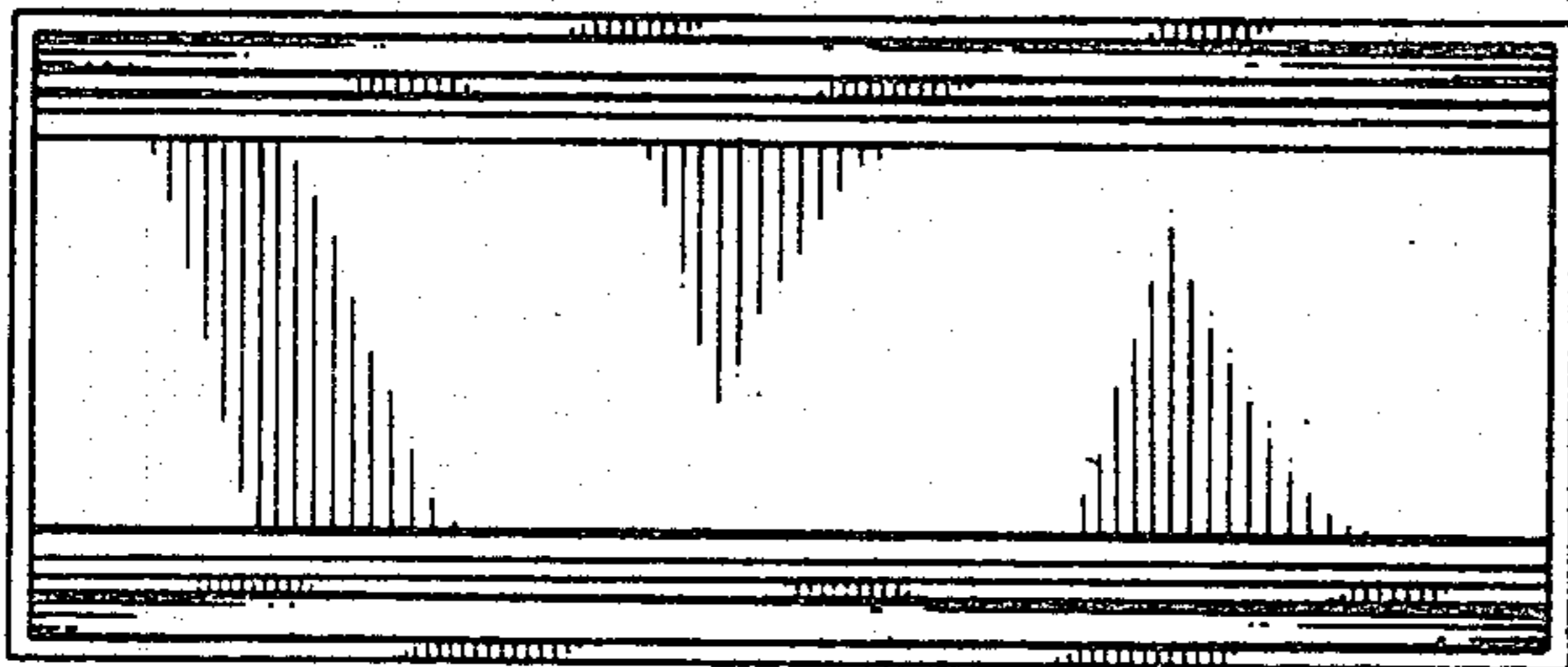


FIG. 6

