

United States Patent [19]

Maruyama et al.

[11] Patent Number: **Des. 283,835**

[45] Date of Patent: **** May 13, 1986**

[54] **COMBINED BIDET TOILET SEAT AND COVER**

[75] Inventors: **Eiki Maruyama; Tetsuo Imai**, both of Nagano, Japan

[73] Assignee: **Maruyama Industrial Co., Ltd.**, Koshoku, Japan

[**] Term: **14 Years**

[21] Appl. No.: **545,006**

[22] Filed: **Oct. 24, 1983**

[30] **Foreign Application Priority Data**

Apr. 23, 1982 [JP] Japan 57-17878

[52] U.S. Cl. **D23/51; D23/71**

[58] Field of Search 4/420.1, 420.2, 420.3, 4/420.4, 420.5, 443-448; D23/51, 71

[56] **References Cited**

U.S. PATENT DOCUMENTS

D. 236,119 7/1975 Slawinski D23/71
D. 250,126 10/1978 Ibel D23/51
3,914,804 10/1975 Schrader et al. 4/420.4 X
4,094,018 6/1978 Bemthin 4/420.4

4,123,807 11/1978 Oguma et al. 4/420.2 X
4,340,980 7/1982 Fushimi et al. 4/420.4 X
4,370,764 2/1983 Ando et al. 4/443
4,391,004 7/1983 Kawai et al. 4/420.4 X
4,411,030 10/1983 Kawai et al. 4/443
4,422,189 12/1983 Couvrette 4/420.4 X
4,441,219 4/1984 Epstein 4/420.4 X

Primary Examiner—James R. Largen
Attorney, Agent or Firm—Cushman, Darby & Cushman

[57] CLAIM

The ornamental design for a combined bidet toilet seat and cover, substantially as shown.

DESCRIPTION

FIG. 1 is a perspective view taken from the top, front, and left side of a combined bidet toilet seat and cover showing our new design;
FIG. 2 is a front elevational view thereof;
FIG. 3 is a rear elevational view thereof;
FIG. 4 is a top plan view thereof;
FIG. 5 is a bottom plan view thereof;
FIG. 6 is a right side elevational view thereof;
FIG. 7 is a left side elevational view thereof; and
FIG. 8 is another perspective view taken from the top, front, and left side thereof showing the cover in an open position.

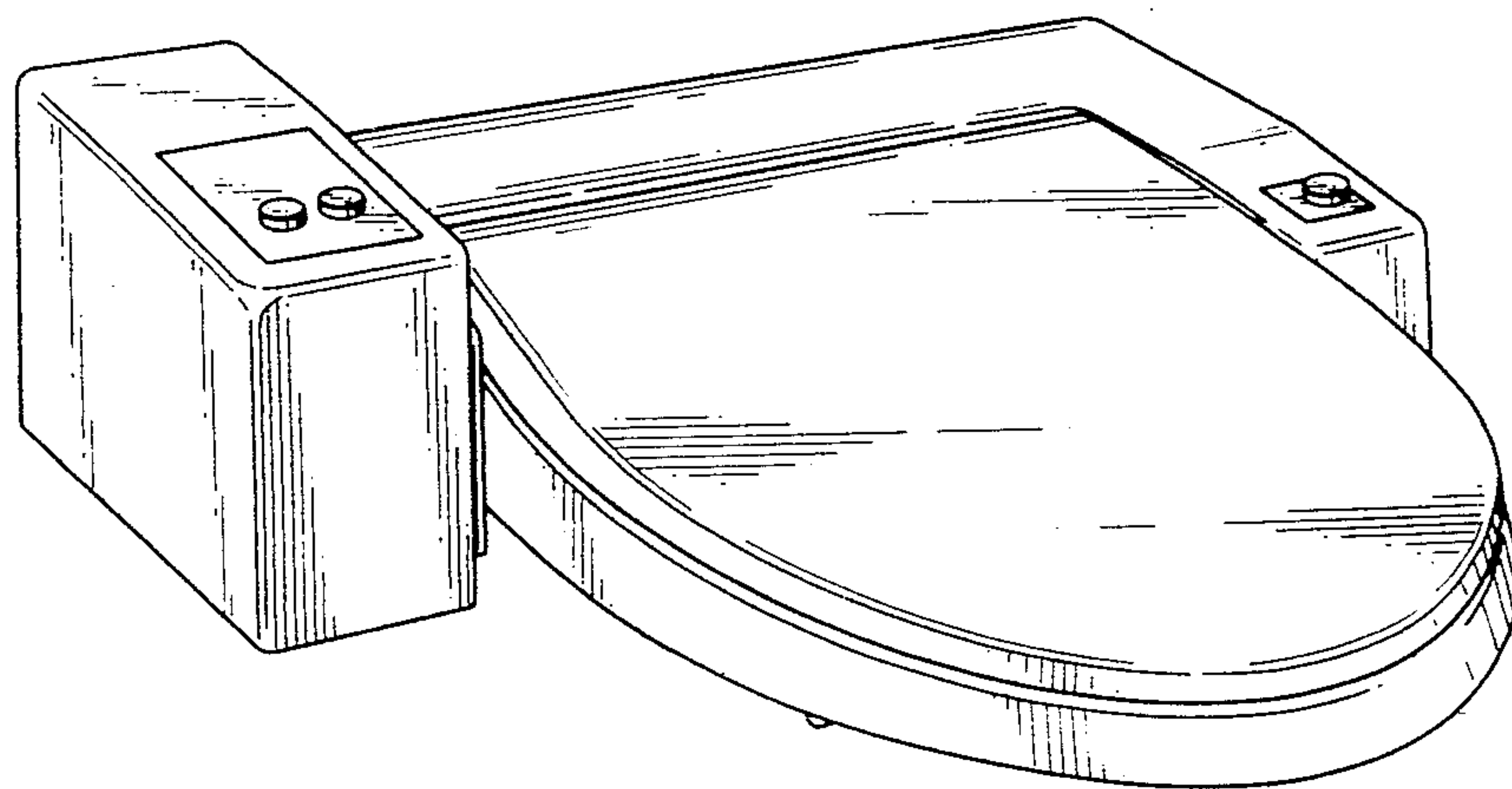


FIG. 1

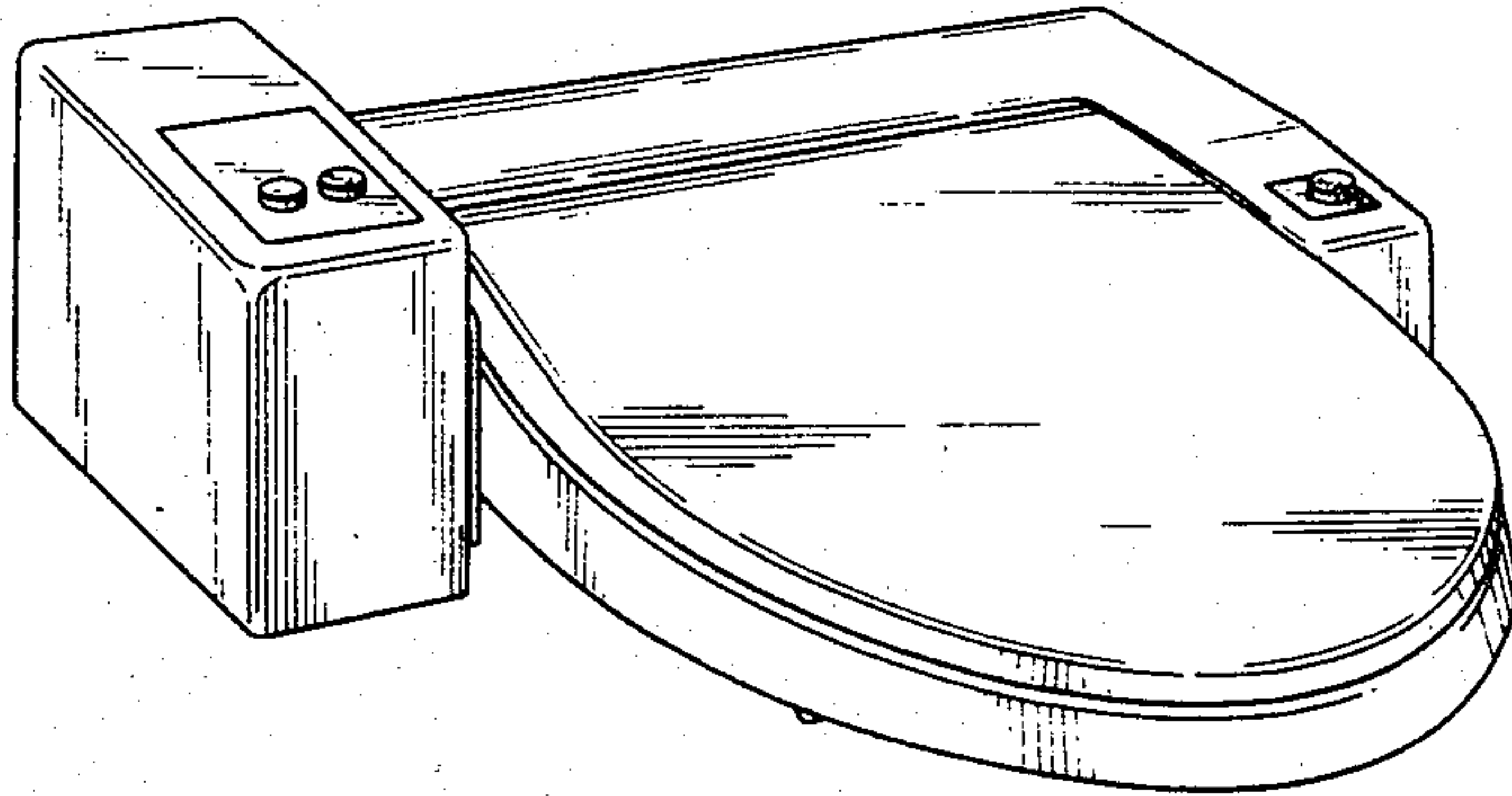


FIG. 2

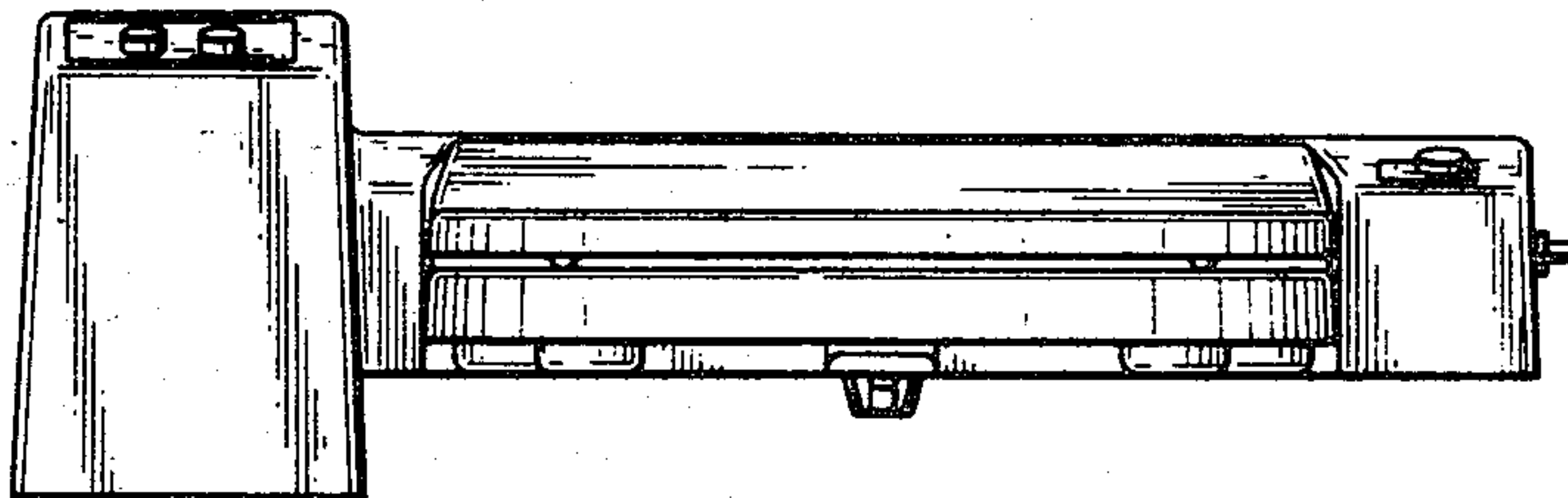


FIG. 3

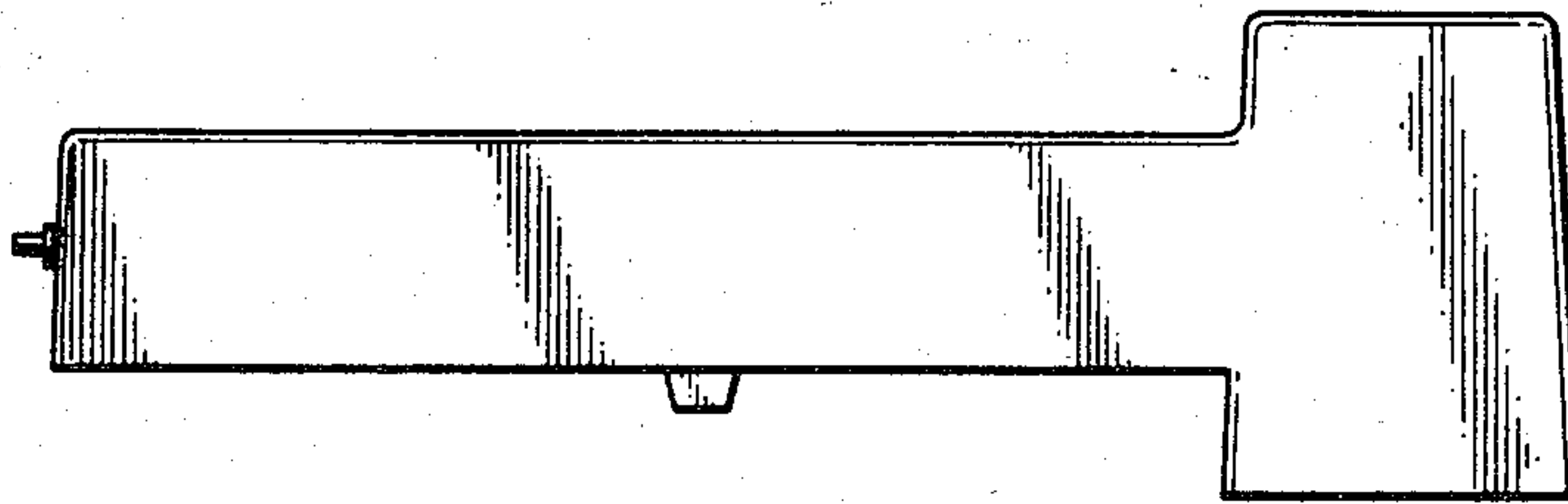


FIG. 4

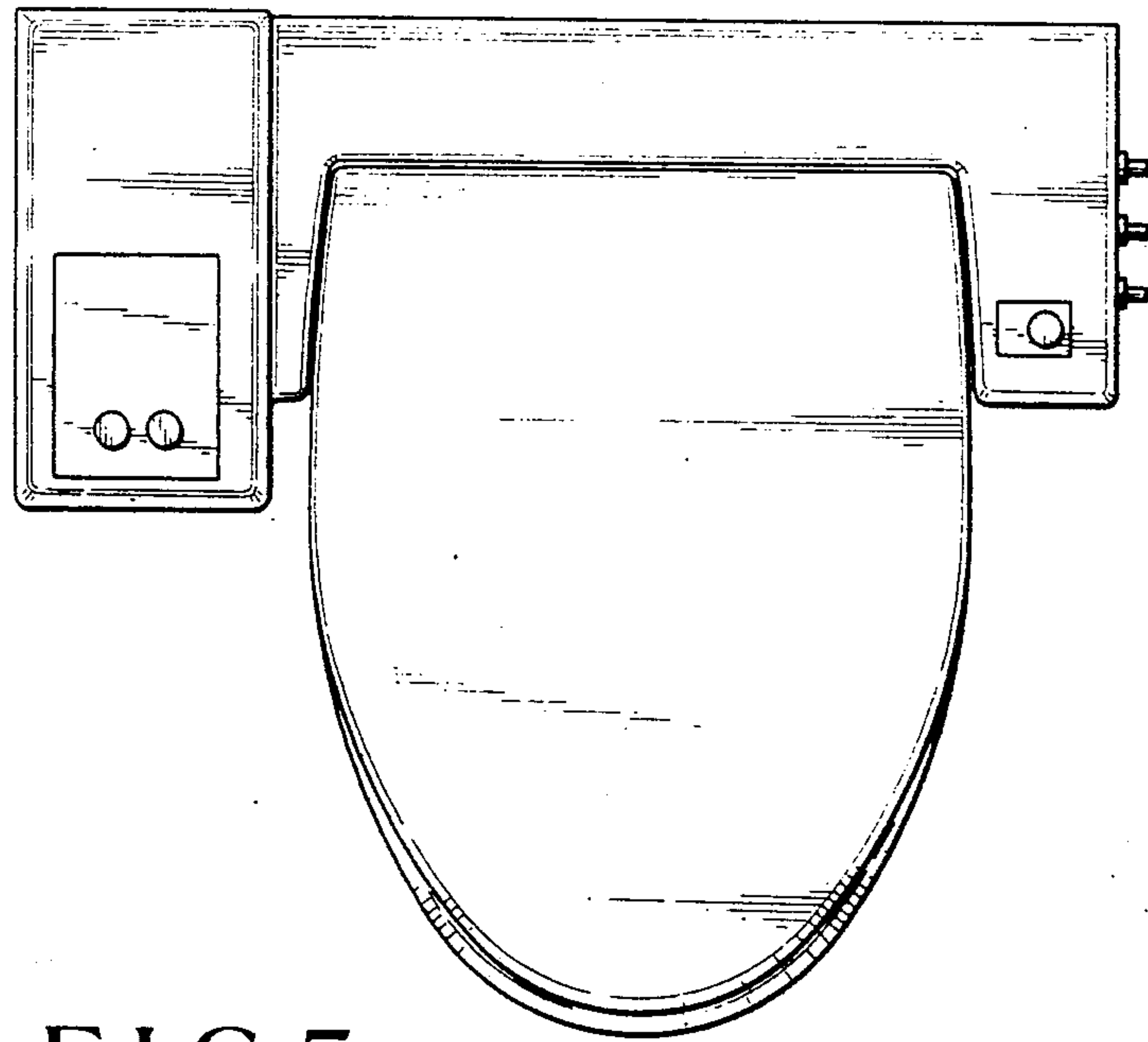


FIG. 5

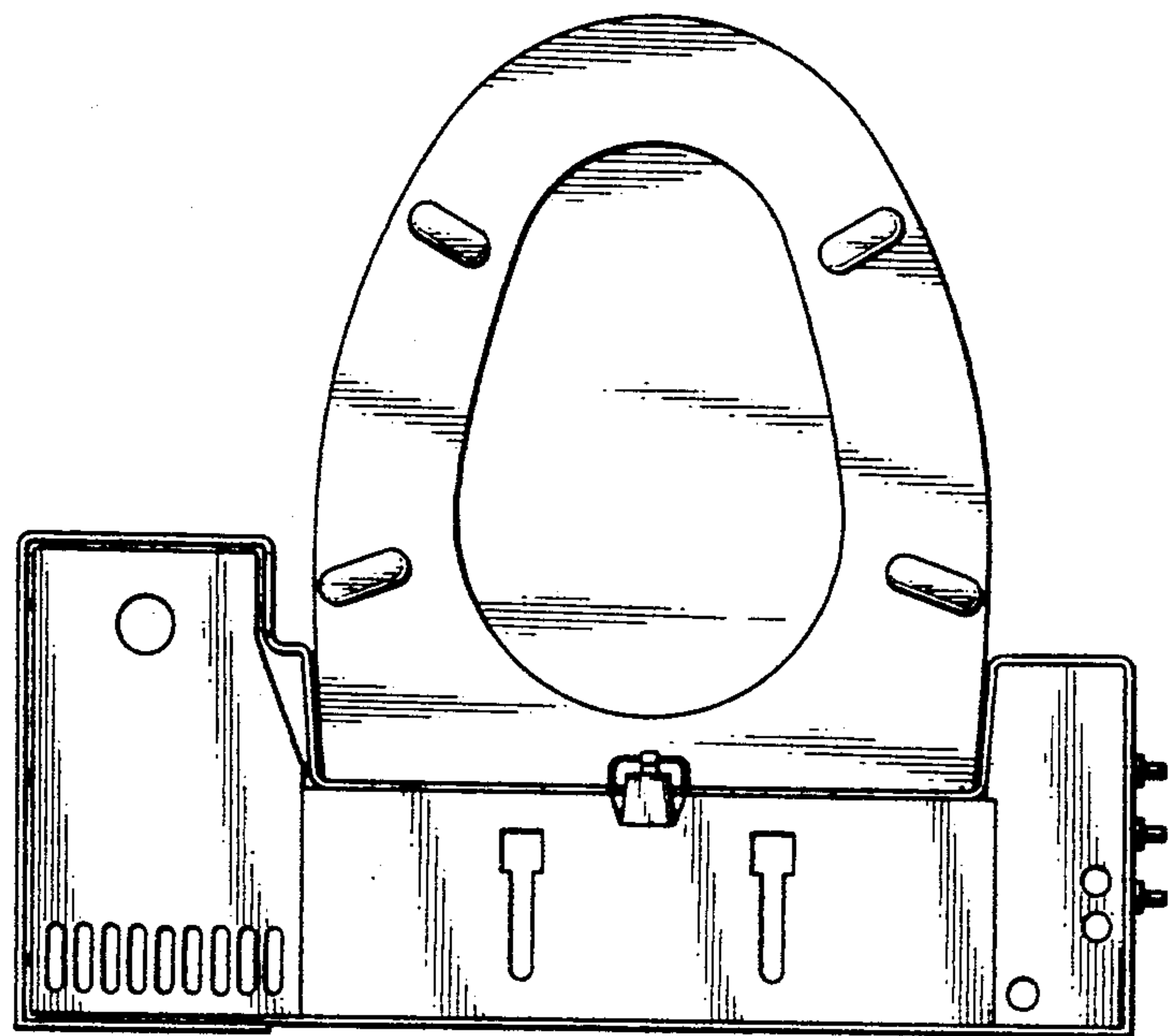


FIG.6

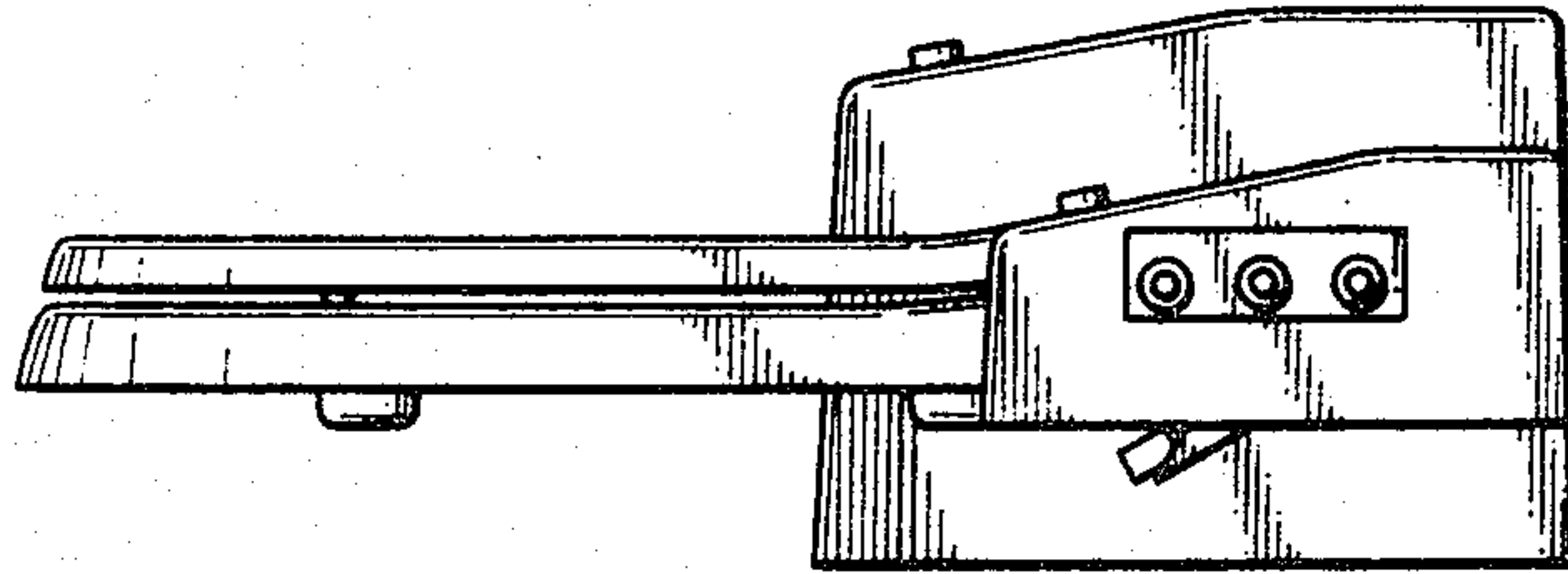


FIG.7

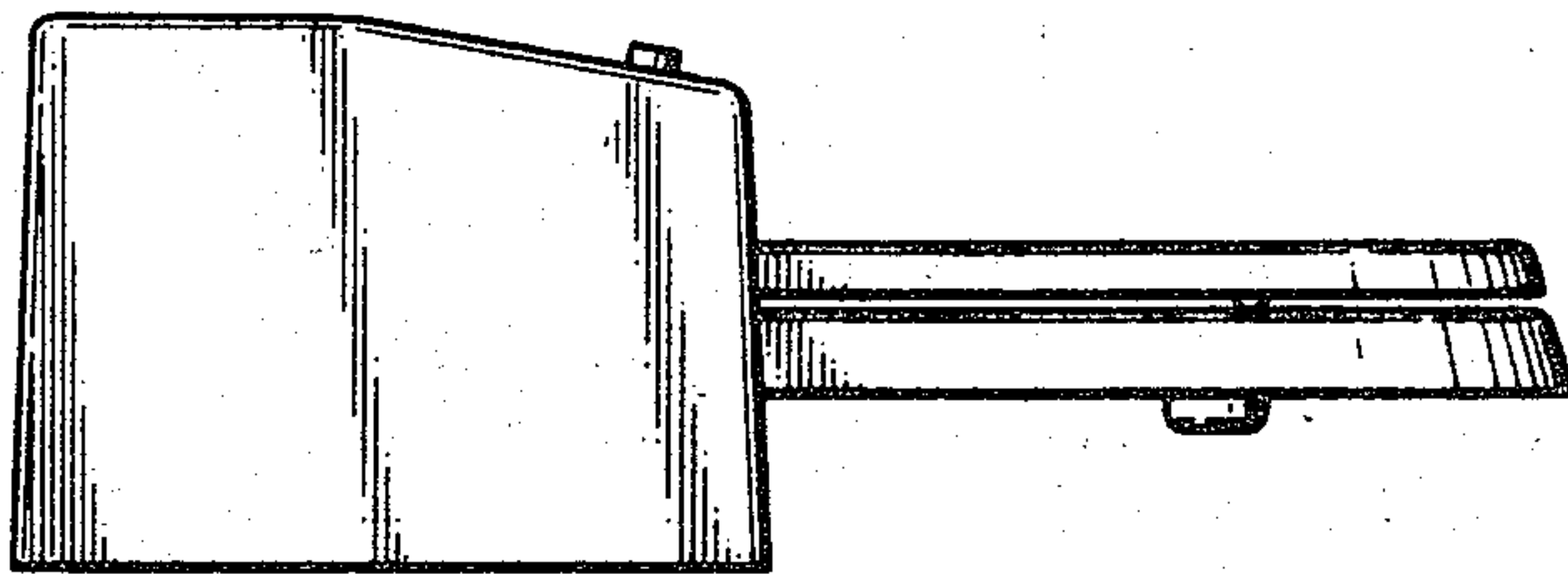


FIG.8

