

[54] ADDITIVE LIQUID METERING DEVICE

[76] Inventor: Mitchell E. Maddock, Rte. 1, Box 24AA, Florence, Ariz. 85232

[**] Term: 14 Years

[21] Appl. No.: 510,957

[22] Filed: Jul. 5, 1983

[52] U.S. Cl. D23/19

[58] Field of Search D15/5; D23/19, 20, 21, D23/22, 31, 40; 366/150, 165

[56] References Cited

U.S. PATENT DOCUMENTS

- D. 170,313 9/1953 Franck D15/5
- D. 269,633 7/1983 Willinger et al. D24/53
- D. 276,369 11/1984 Clawson et al. D24/53

Primary Examiner—Wallace R. Burke
Assistant Examiner—Lynn Wilder
Attorney, Agent, or Firm—Richard R. Mybeck

[57] CLAIM

The ornamental design for an additive liquid metering device, as shown.

DESCRIPTION

FIG. 1 is a perspective view showing the top, front and right side of an additive liquid metering device showing my invention.

FIG. 2 is a front elevational view thereof.

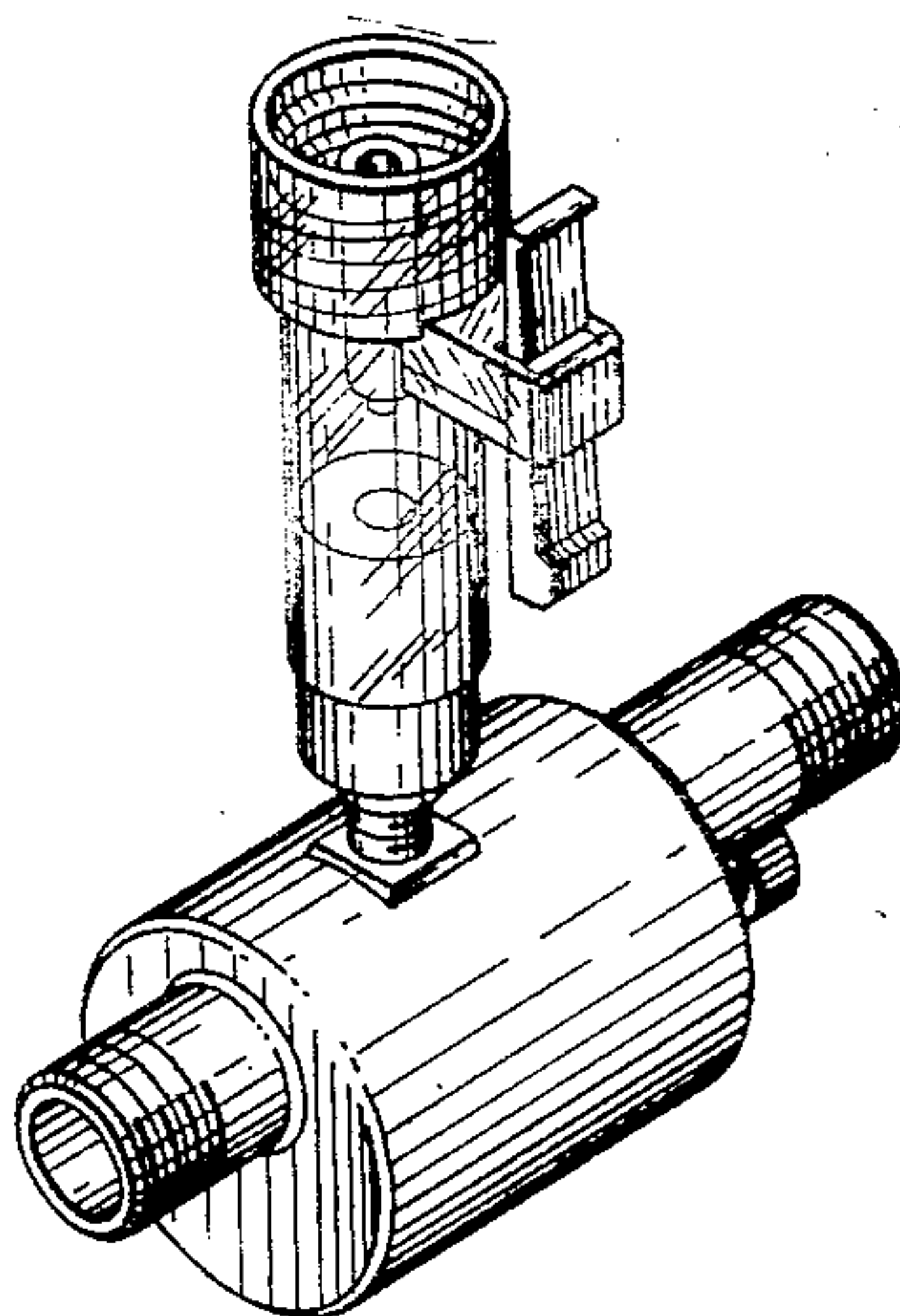
FIG. 3 is a right side elevational view thereof.

FIG. 4 is a left side elevational view thereof.

FIG. 5 is a rear elevational view thereof.

FIG. 6 is a top plan view thereof.

FIG. 7 is a bottom plan view thereof.



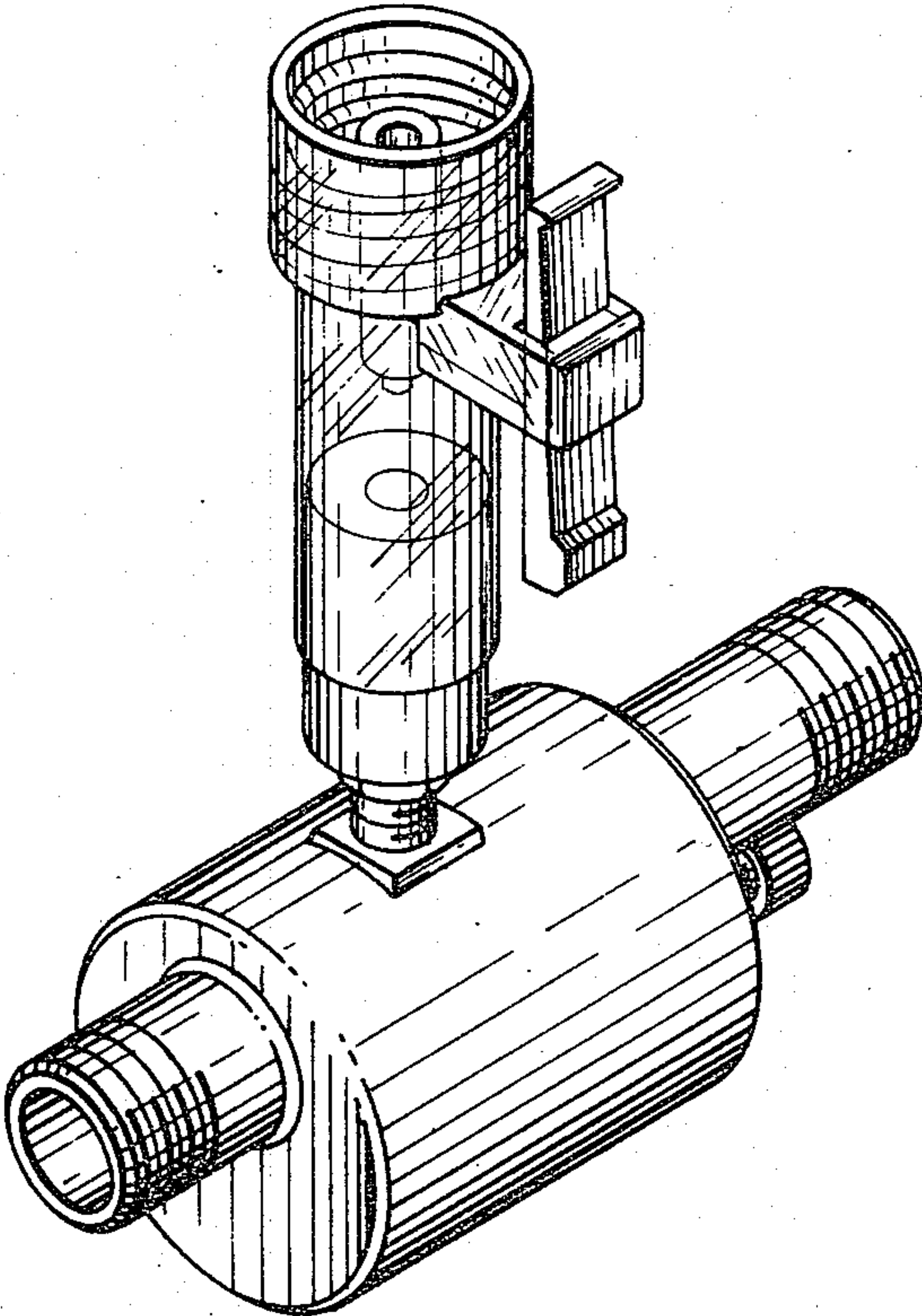


FIG. 1

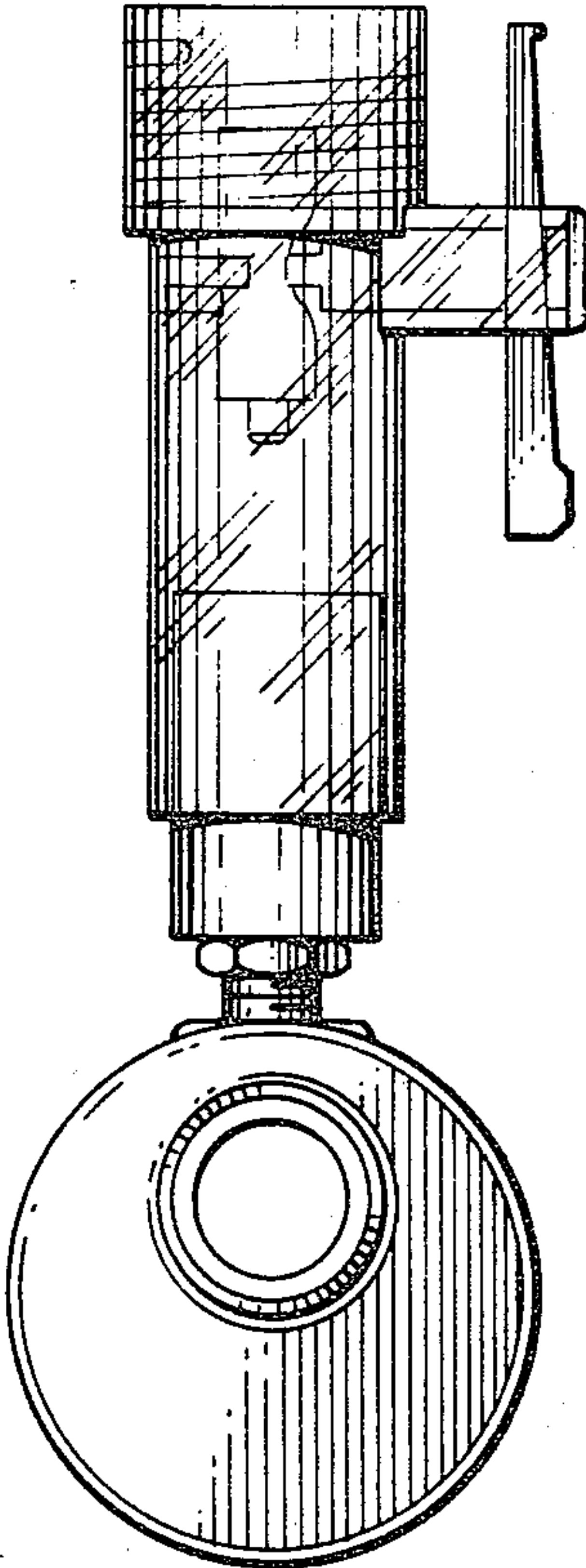


FIG. 2

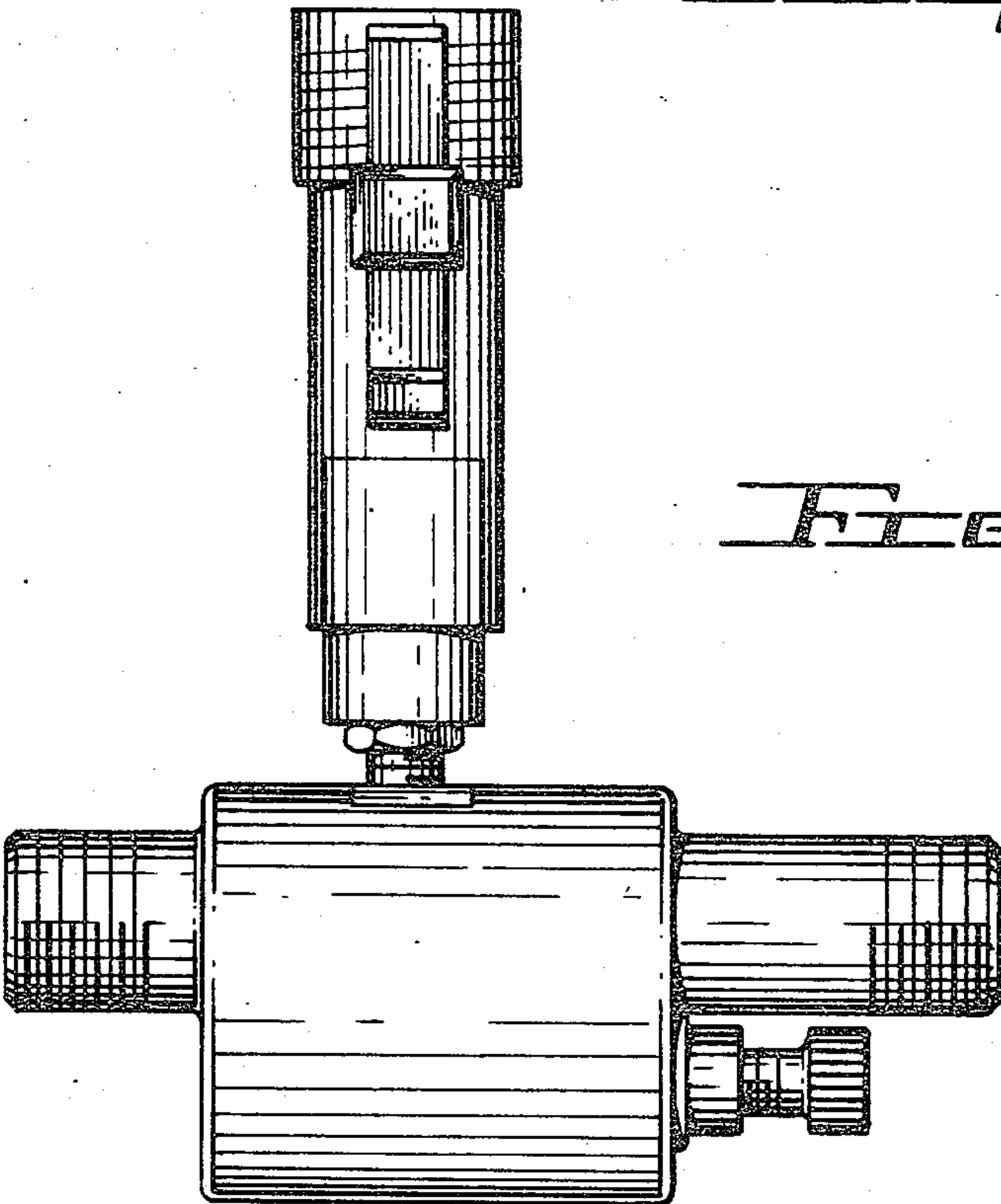


FIG. 3

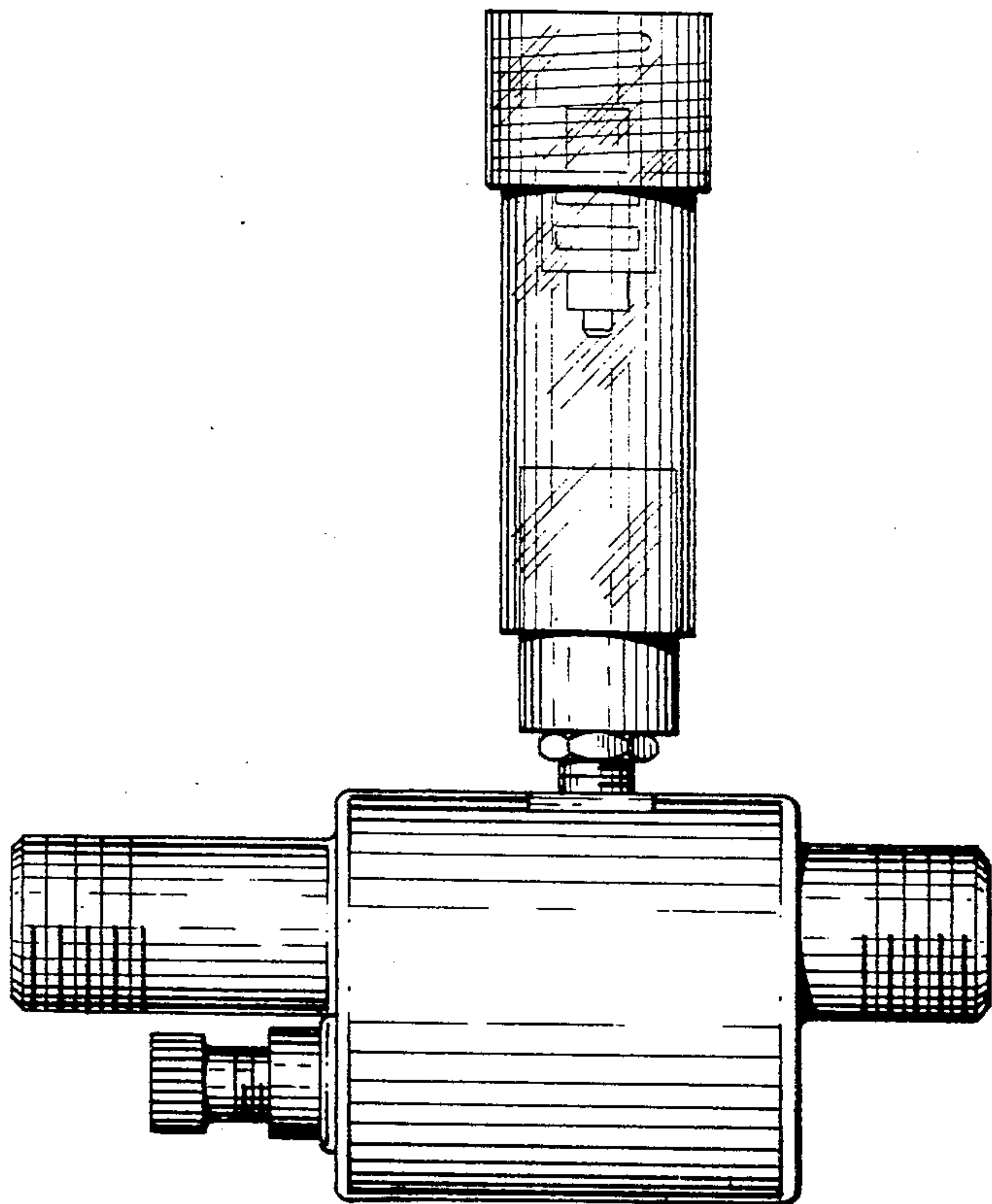


FIG. 4

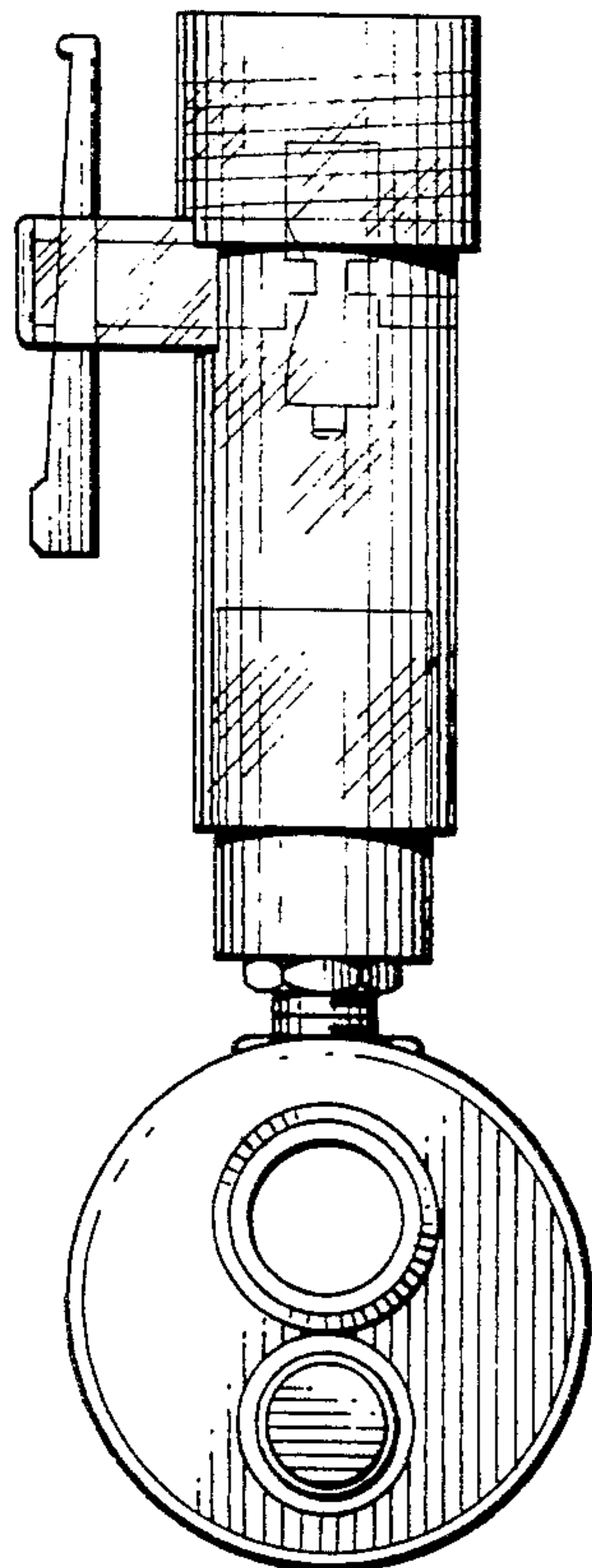


FIG. 5

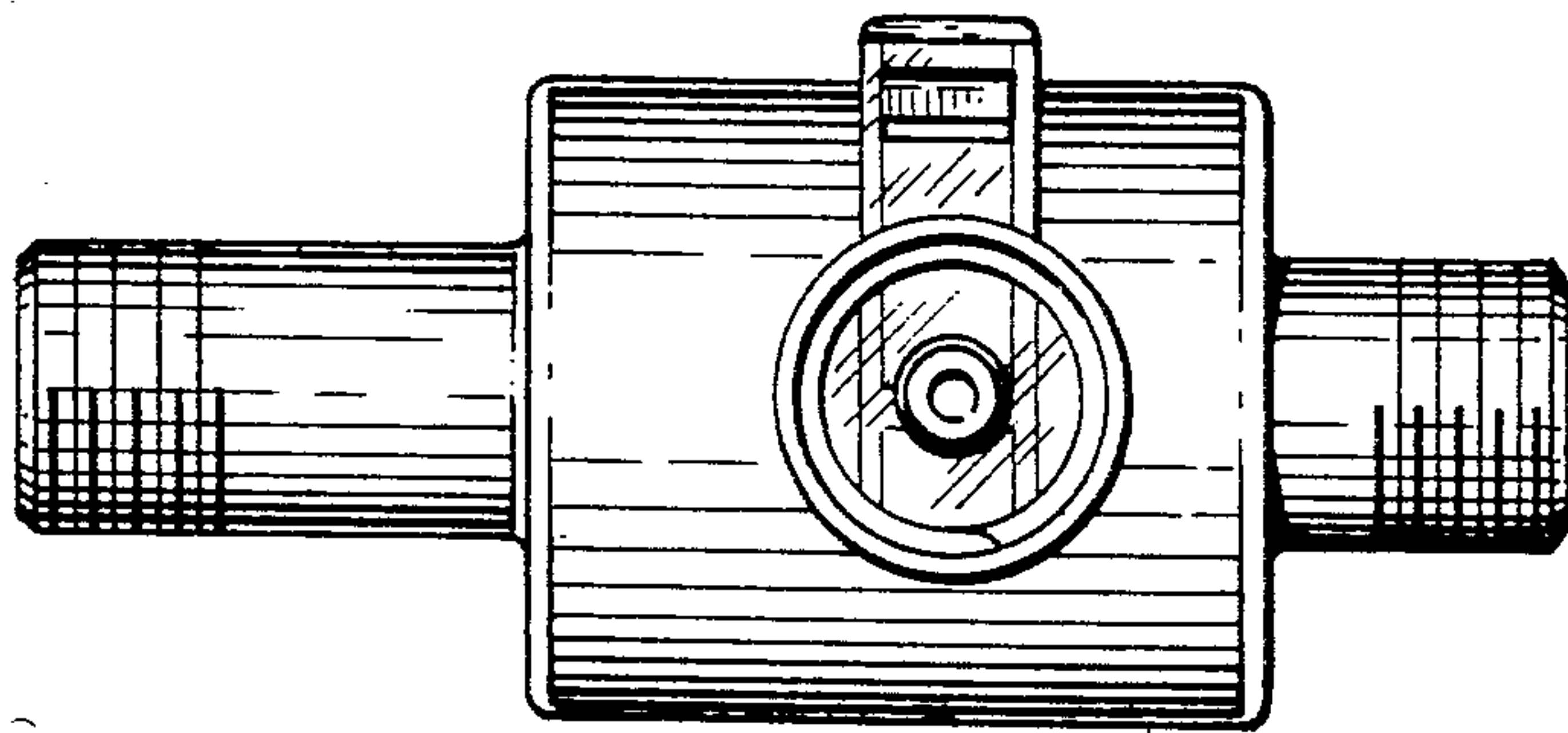


FIG. 6

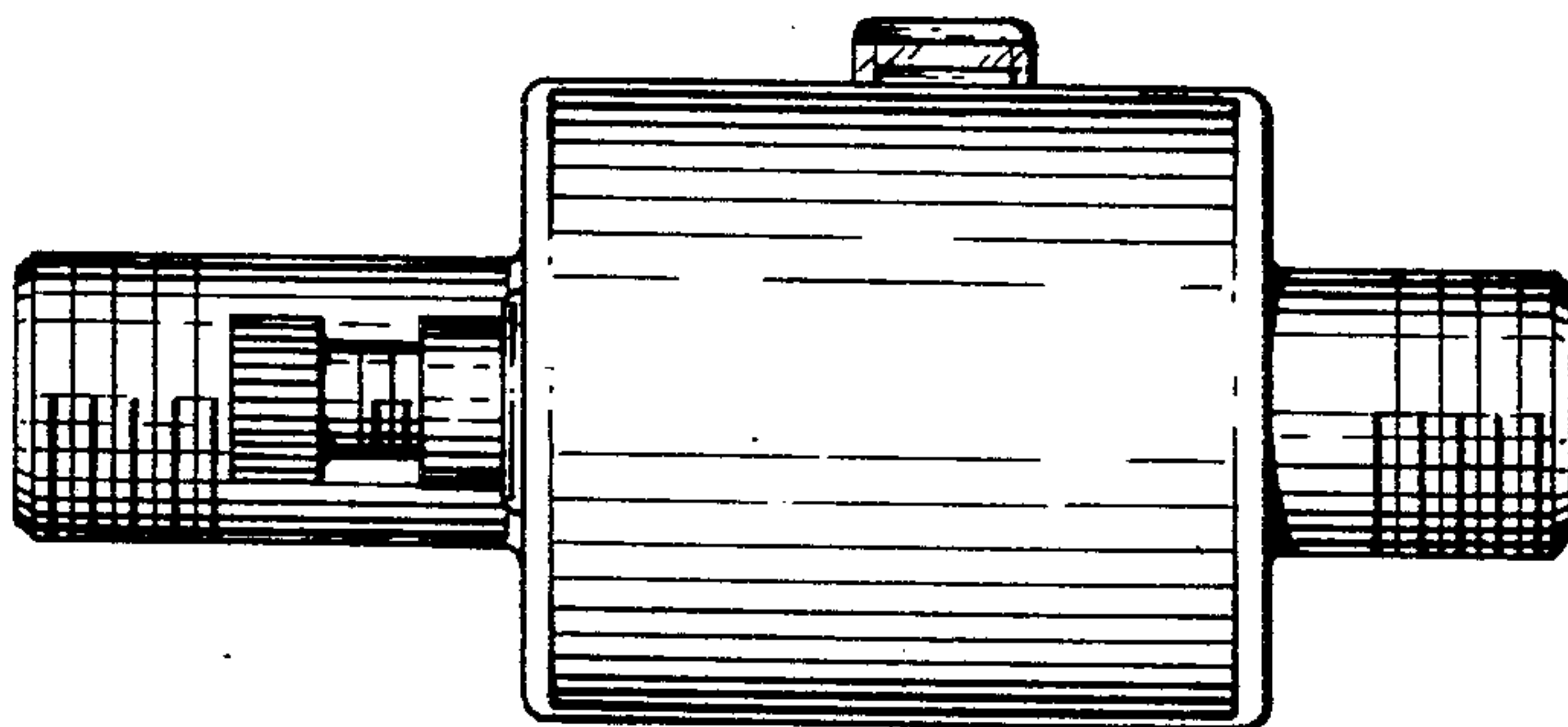


FIG. 7