

United States Patent [19]

Kamikawa

[11] Patent Number: **Des. 283,829**

[45] Date of Patent: **** May 13, 1986**

[54] **TOY RACE CAR**

[75] Inventor: **Hiromi Kamikawa**, Tokyo, Japan

[73] Assignee: **The Quaker Oats Company**, Chicago, Ill.

[**] Term: **14 Years**

[21] Appl. No.: **577,856**

[22] Filed: **Feb. 7, 1984**

[52] U.S. Cl. **D21/137**

[58] Field of Search **D21/71, 74, 76, 78, D21/79, 80, 128, 132, 134, 135, 136, 137, 139, 140; 446/71, 72, 78, 434, 445, 451, 465, 470**

[56] **References Cited**

U.S. PATENT DOCUMENTS

- D. 246,613 12/1977 Ogawa D21/137
- D. 246,676 12/1977 Nakao D21/137

- D. 260,665 9/1981 Yamashina D21/137
- D. 262,564 1/1982 Yamashina D21/137
- D. 266,779 11/1982 Appel et al. D21/137
- D. 278,449 4/1985 Colquitt D21/137
- 3,914,898 10/1975 Ferguson 446/470

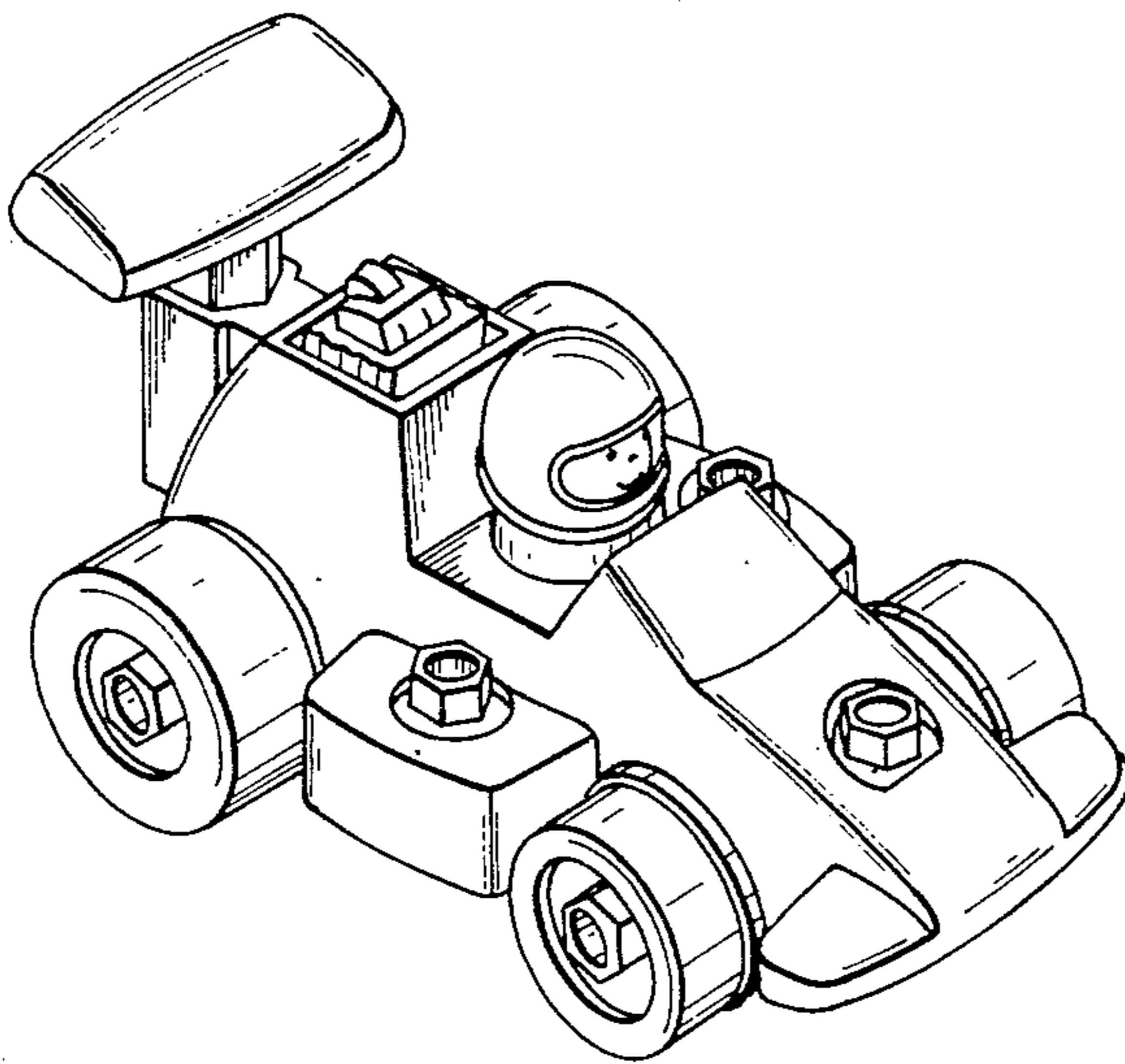
Primary Examiner—Charles A. Rademaker
Attorney, Agent, or Firm—Cumpston & Shaw

[57] **CLAIM**

The ornamental design for a toy race car, substantially as shown and described.

DESCRIPTION

FIG. 1 is a perspective view of the top, front and right side of a toy race car showing my new design; FIG. 2 is a left-side elevational view thereof, the right side being substantially a mirror image thereof; FIG. 3 is a bottom plan view thereof; and FIG. 4 is a rear elevational view thereof.



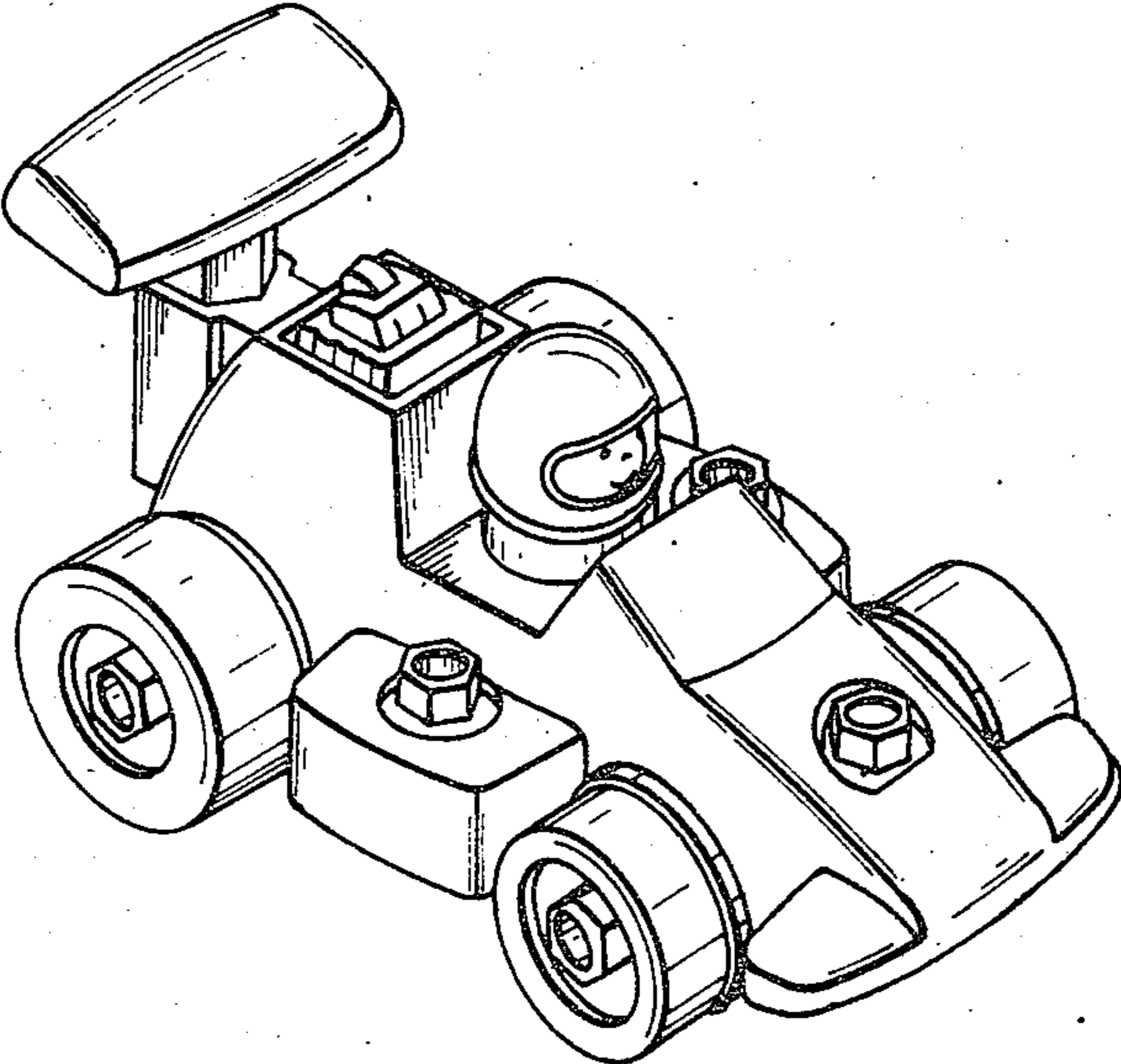


FIG. 1

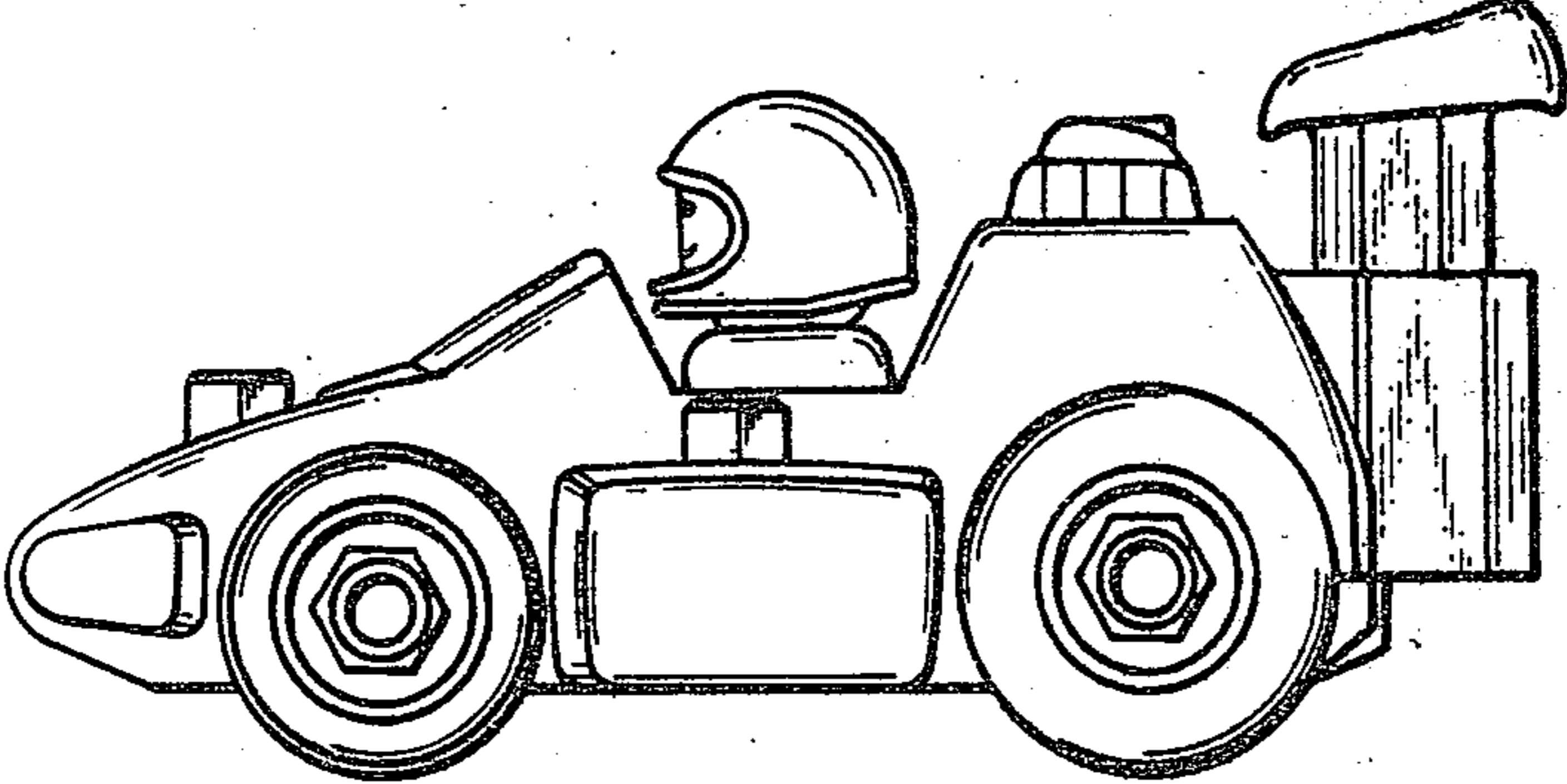


FIG. 2

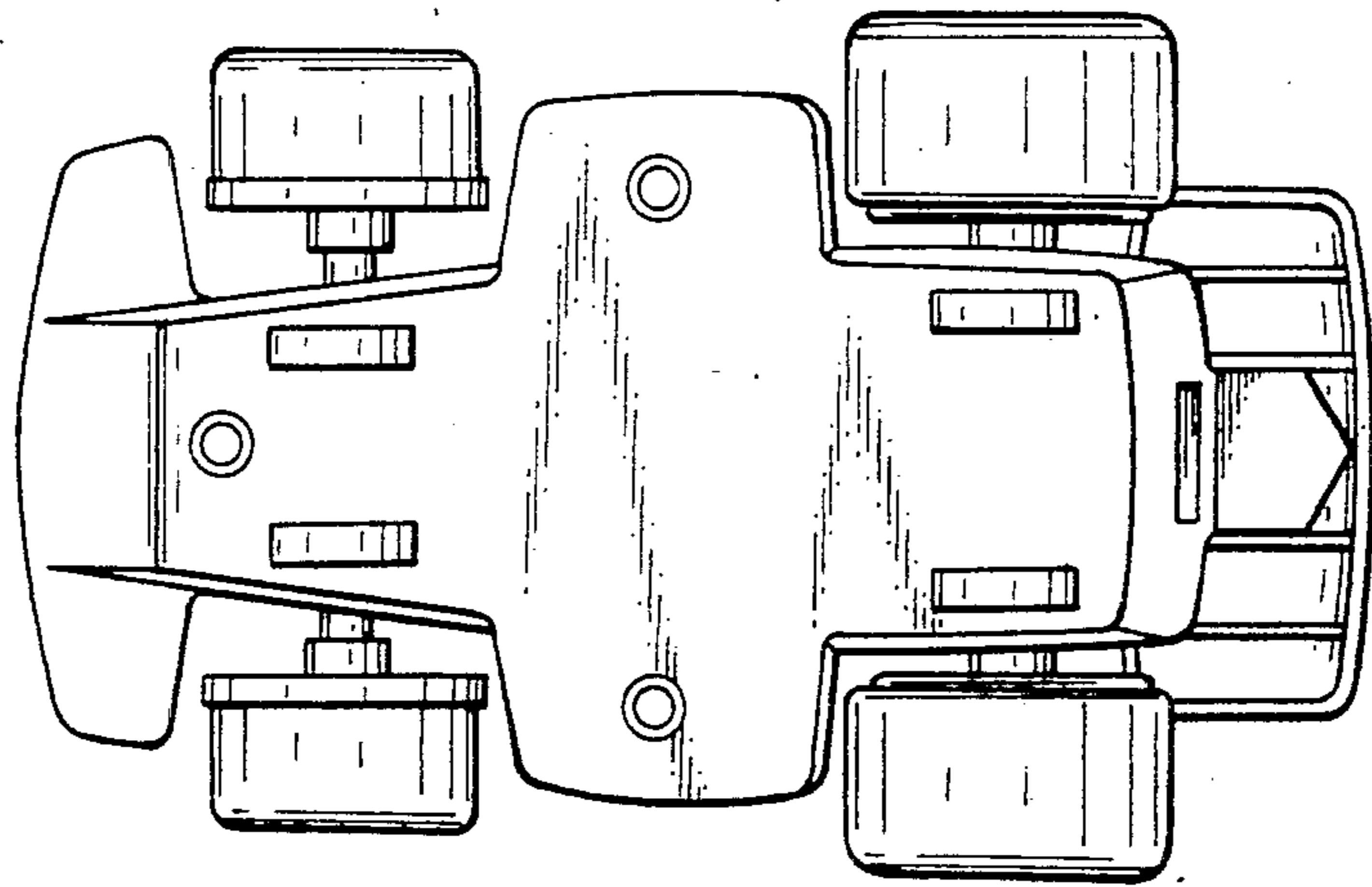


FIG. 3

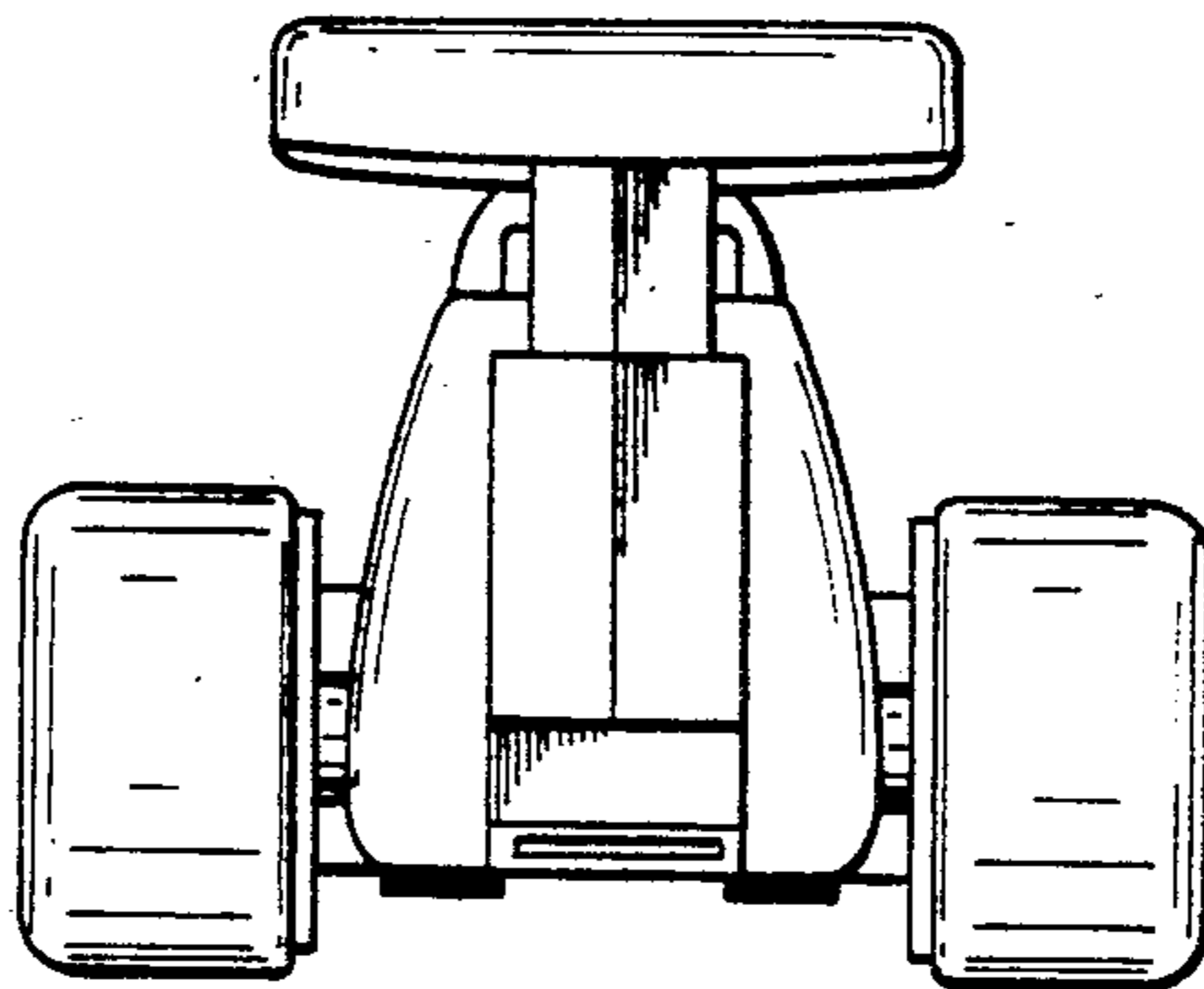


FIG. 4