

United States Patent [19]

Mitsubishi

[11] Patent Number: Des. 283,823

[45] Date of Patent: ** May 13, 1986

[54] PRINTER

[75] Inventor: Toshio Mitsubishi, Tokyo, Japan

[73] Assignee: Citizen Watch Co., Ltd., Tokyo, Japan

[**] Term: 14 Years

[21] Appl. No.: 656,988

[22] Filed: Oct. 2, 1984

[30] Foreign Application Priority Data

Jul. 26, 1984 [JP] Japan 59-31028

[52] U.S. Cl. D18/13; D14/111

[58] Field of Search D18/12, 13, 22; D14/111; 400/689-694

[56] References Cited

U.S. PATENT DOCUMENTS

- D. 236,835 9/1975 Kramer et al. D14/111
- D. 249,347 9/1978 Zierhut D18/13 X
- D. 260,516 9/1981 Giannotti et al. D14/111
- D. 269,782 7/1983 Canning et al. D14/111
- D. 272,741 2/1984 Mailer et al. D14/111
- D. 279,292 6/1985 Maruyama D14/111
- D. 280,901 10/1985 Fong et al. D14/111
- 4,493,573 1/1985 Hashimoto et al. 400/690.4 X

FOREIGN PATENT DOCUMENTS

- 42733 10/1977 Canada .
- 47986 10/1980 Canada .
- 50466 7/1982 Canada .
- 50491 7/1982 Canada .
- 50919 11/1982 Canada .
- 51282 5/1983 Canada .
- 466997 8/1977 Japan .
- 501287 1/1979 Japan .
- 513037 6/1979 Japan .

- 543134 8/1980 Japan .
- 547628 10/1980 Japan .
- 561491 6/1981 Japan .
- 566218 8/1981 Japan .
- 590844 9/1982 Japan .
- 591175 9/1982 Japan .
- 603693 3/1983 Japan .
- 603695 3/1983 Japan .
- 603425 3/1983 Japan .
- 603696 3/1983 Japan .
- 603823 4/1983 Japan .
- 607009 5/1983 Japan .
- 609838 7/1983 Japan .
- 609993 7/1983 Japan .
- 609977 7/1983 Japan .
- 611003 7/1983 Japan .
- 611023 7/1983 Japan .
- 612728 8/1983 Japan .
- 614136 9/1983 Japan .
- 614503 9/1983 Japan .
- 614581 9/1983 Japan .
- 615781 10/1983 Japan .
- 617194 10/1983 Japan .
- 621769 12/1983 Japan .

Primary Examiner—Louis S. Zarfes
Attorney, Agent, or Firm—Cushman, Darby & Cushman

[57] CLAIM

The ornamental design for a printer, as shown.

DESCRIPTION

FIG. 1 is a top, front and right side perspective view of a printer showing my new design;
 FIG. 2 is a front elevational view thereof;
 FIG. 3 is a rear elevational view thereof;
 FIG. 4 is a top plan view thereof;
 FIG. 5 is a right side elevational view thereof;
 FIG. 6 is a left side elevational view thereof; and
 FIG. 7 is a bottom plan view thereof.

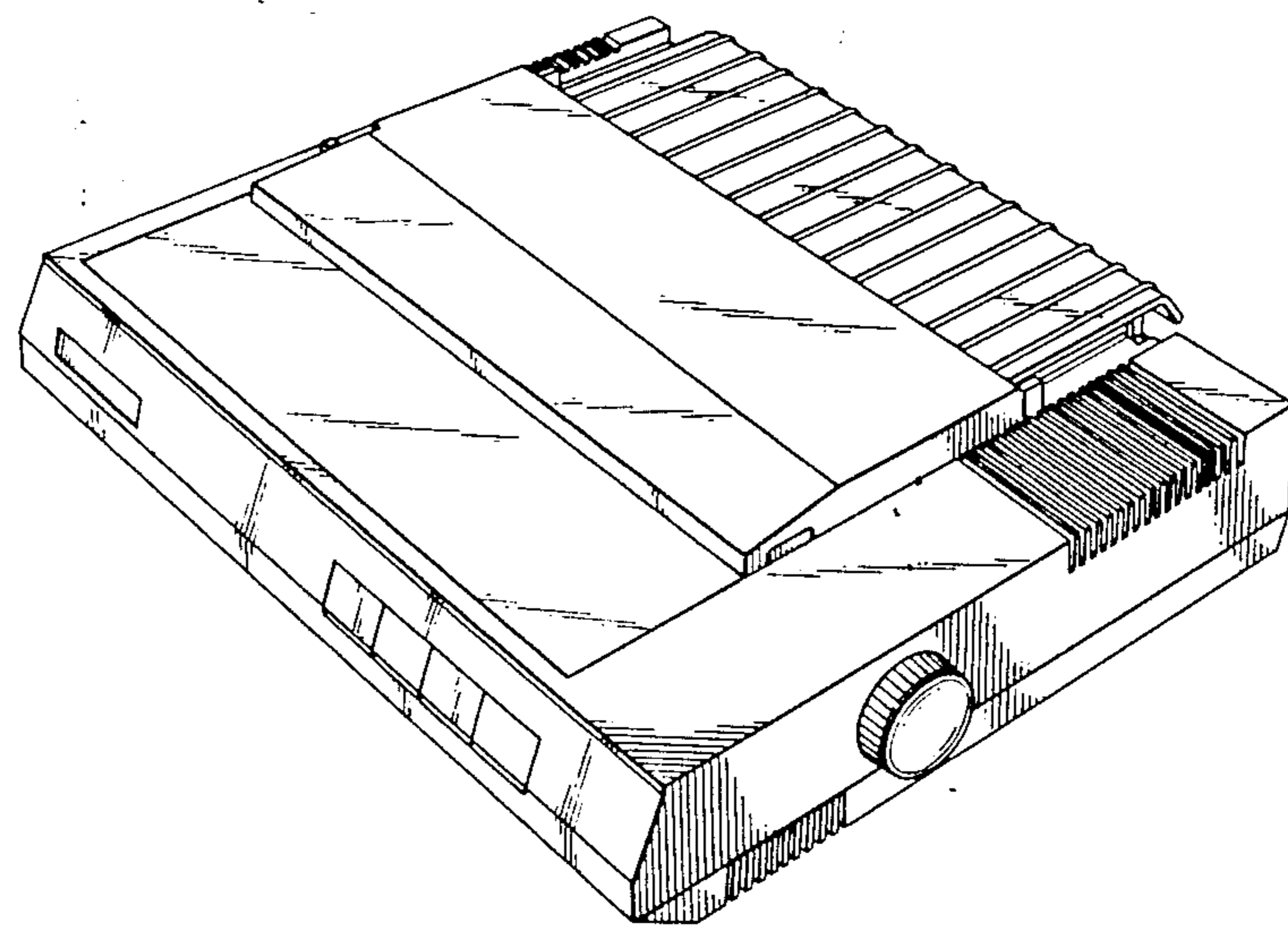


FIG. 1

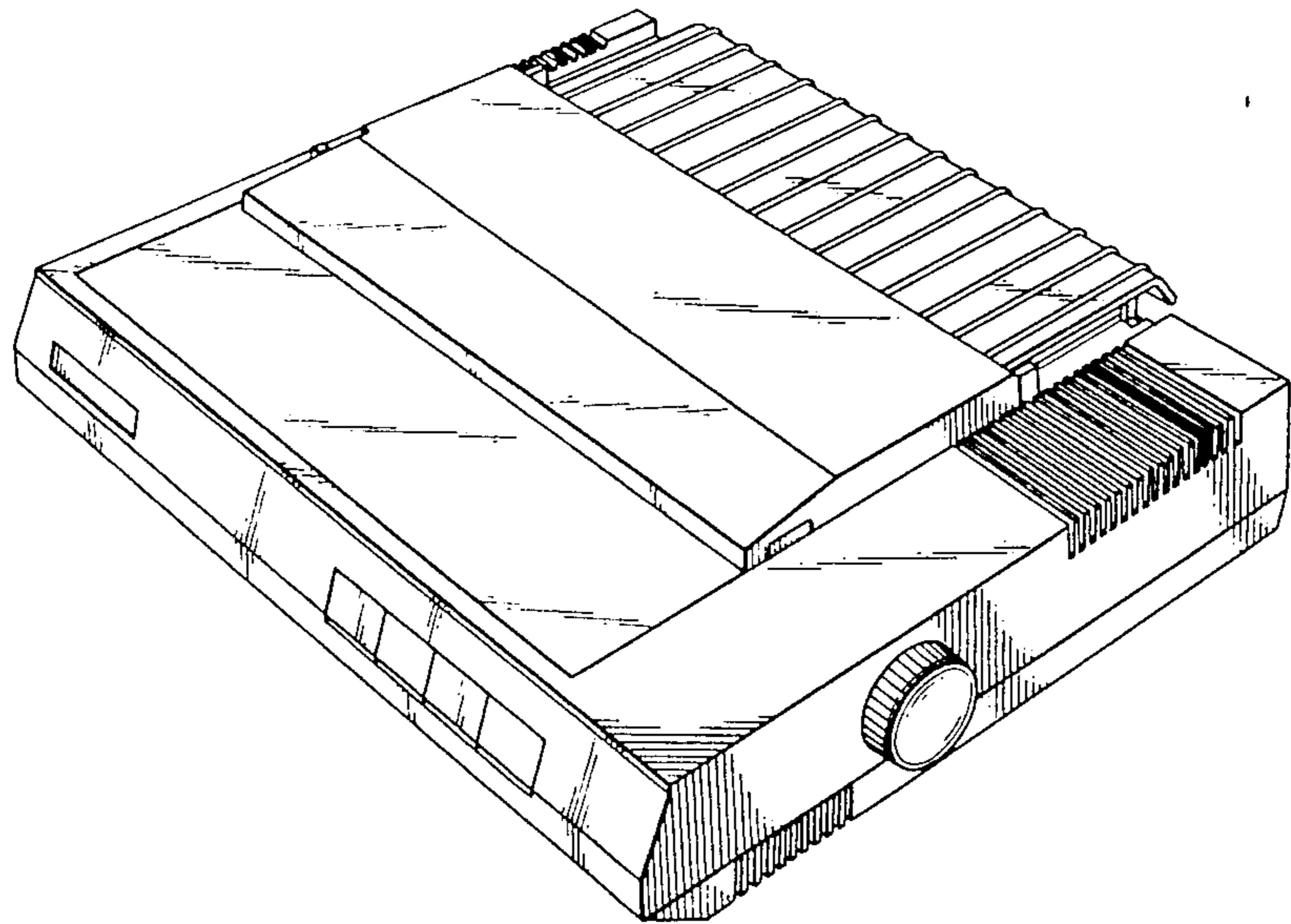


FIG. 2

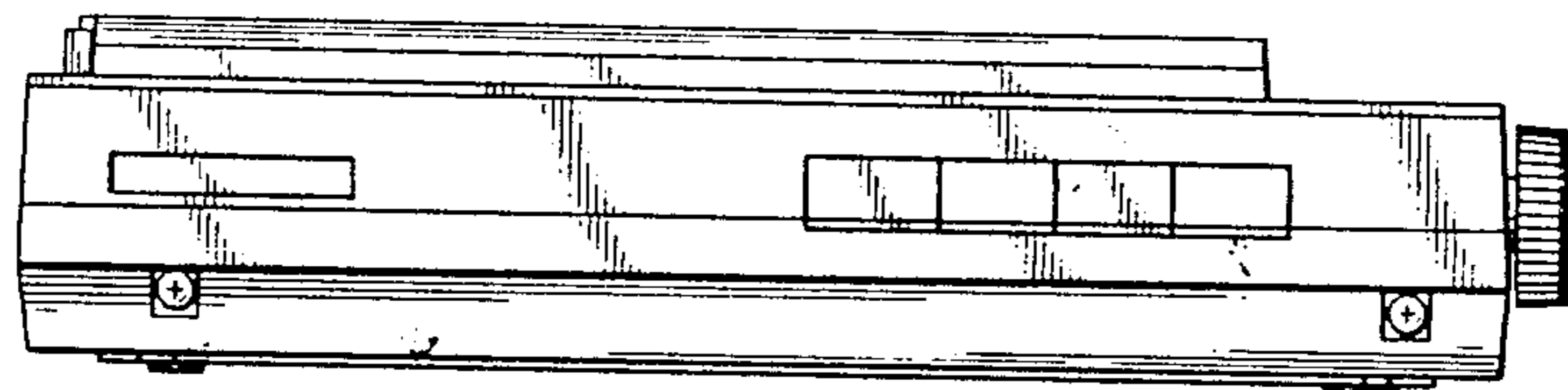


FIG. 3

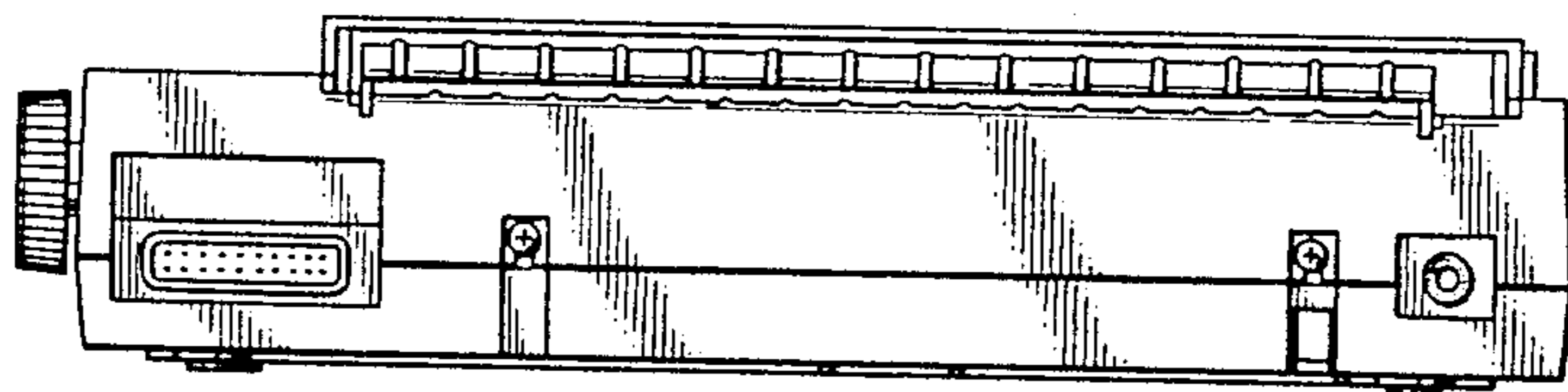


FIG. 4

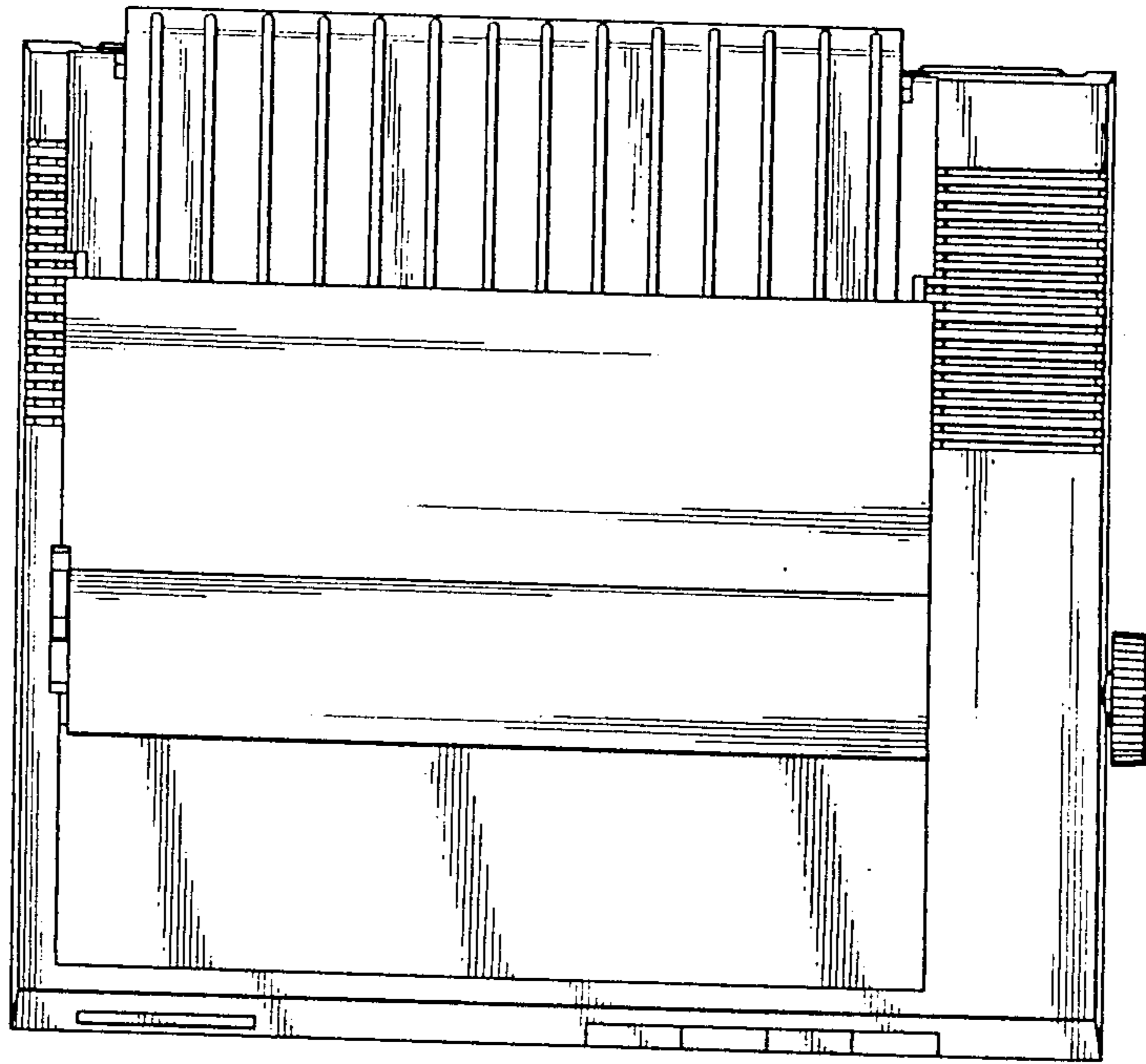


FIG. 5

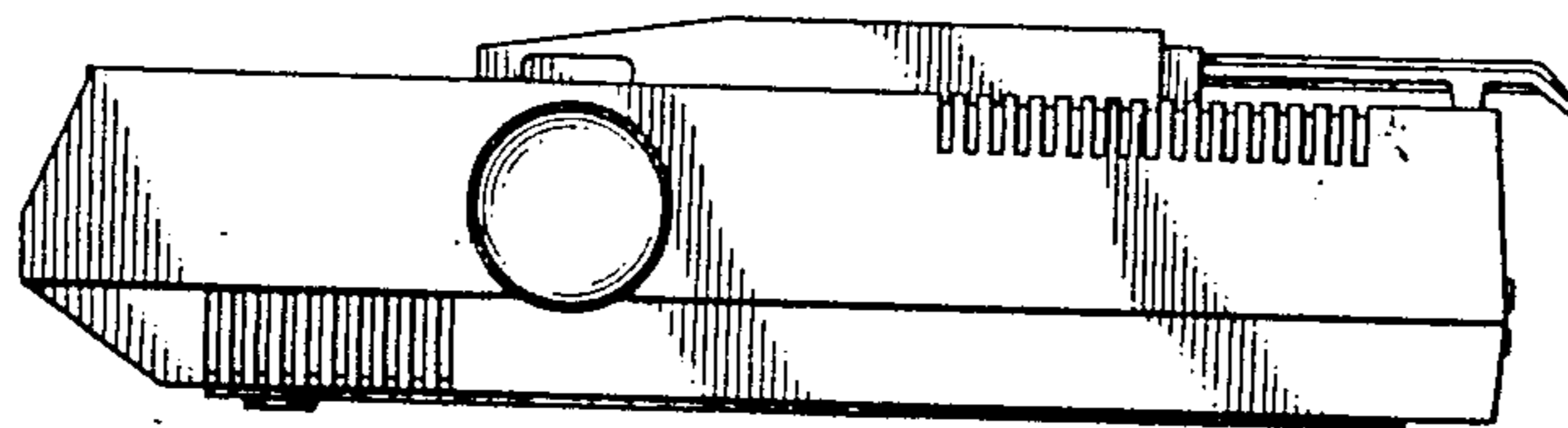


FIG. 6

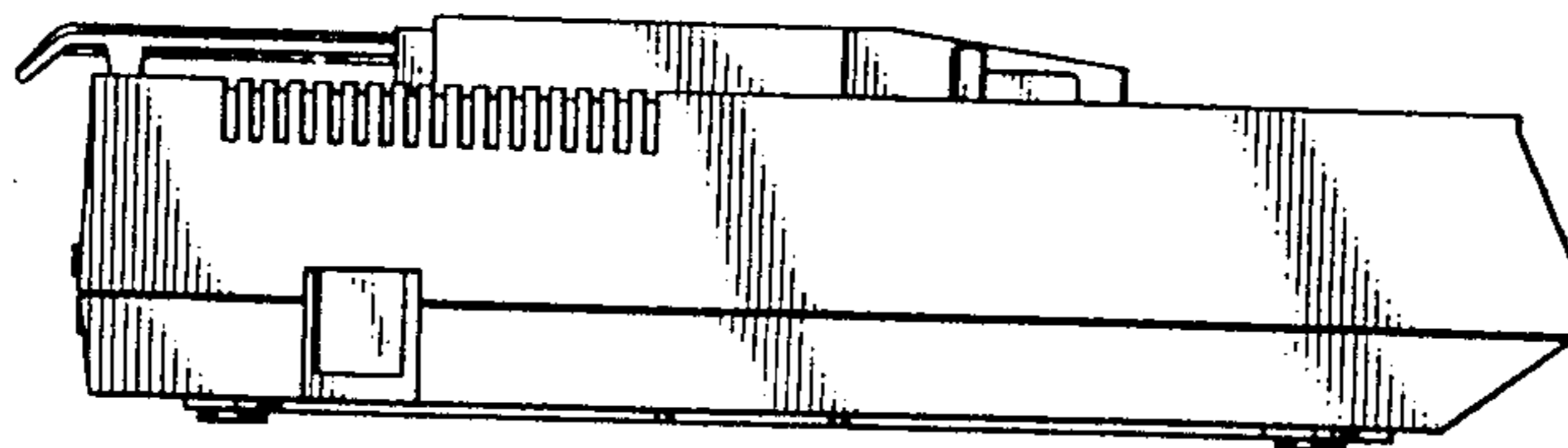


FIG. 7

