

[54] FRAMING AND SPACING DEVICE FOR CAMERA

[75] Inventor: Edgar S. Lemmey, Woodbury, N.Y.

[73] Assignee: Lester A. Dine, Inc., Farmingdale, N.Y.

[**] Term: 14 Years

[21] Appl. No.: 564,076

[22] Filed: Dec. 21, 1983

[52] U.S. Cl. D16/10; D16/38; D16/44; D16/47

[58] Field of Search D16/1, 2, 5, 6, 10, D16/38, 44, 47; 354/80, 219, 293, 295

[56] References Cited

U.S. PATENT DOCUMENTS

- 50,284 10/1965 Shive 354/295 X
- D. 197,257 12/1963 Fladlien D16/38
- D. 246,527 11/1977 Pfefer D16/38
- 2,511,531 6/1950 Hencke 354/295

- 3,396,649 8/1968 Bishop 354/81
- 3,709,119 1/1973 Van Der Meer 354/81
- 3,836,927 9/1974 Dine 354/80
- 4,107,716 8/1978 Pfefer 354/295 X
- 4,218,122 8/1980 Drafahl 354/293
- 4,222,654 9/1980 Bodenhamer 354/293

Primary Examiner—Nelson C. Holtje
Attorney, Agent, or Firm—Darby & Darby

[57] CLAIM

The ornamental design for a framing and spacing device for camera, as shown and described.

DESCRIPTION

FIG. 1 is a left front perspective view of a framing and spacing device for camera showing my new design. The broken-line showing of a camera is environmental only and forms no part of the claimed design;

FIG. 2 is a front elevational view thereof;

FIG. 3 is a left side elevational view thereof, the right side being a mirror image thereto;

FIG. 4 is a top plan view thereof;

FIG. 5 is a bottom plan view thereof.

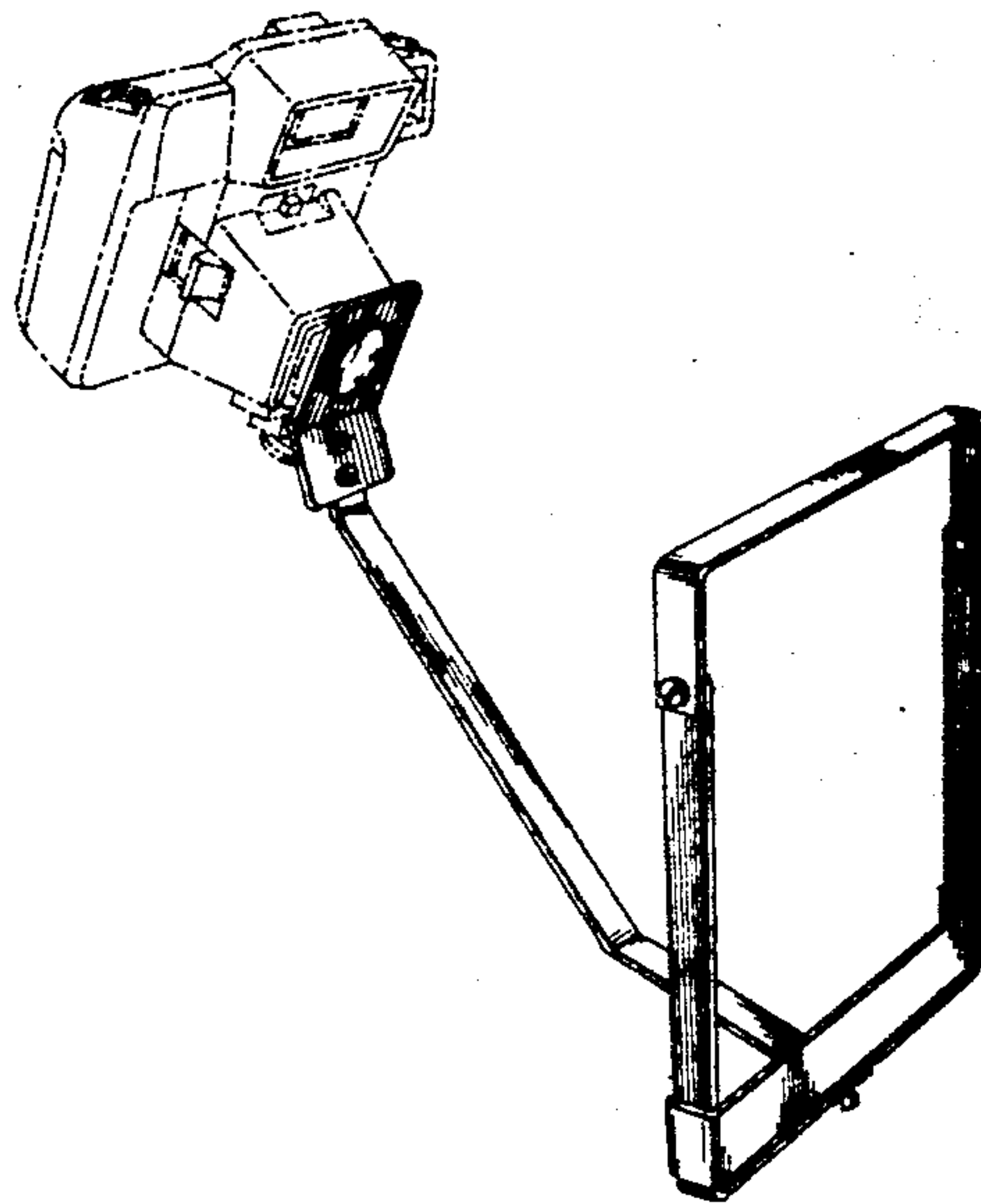


FIG. 1.

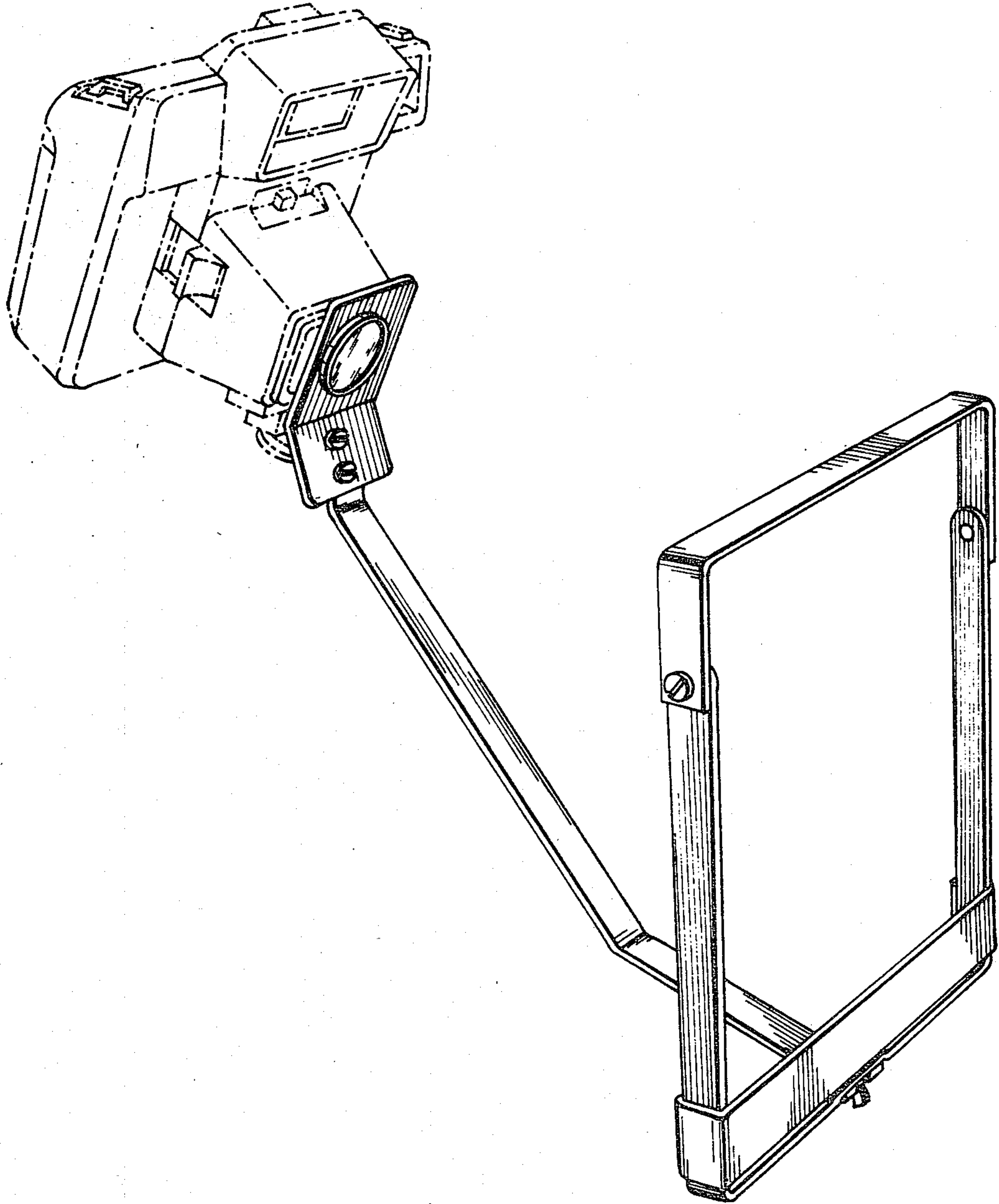


FIG. 2.

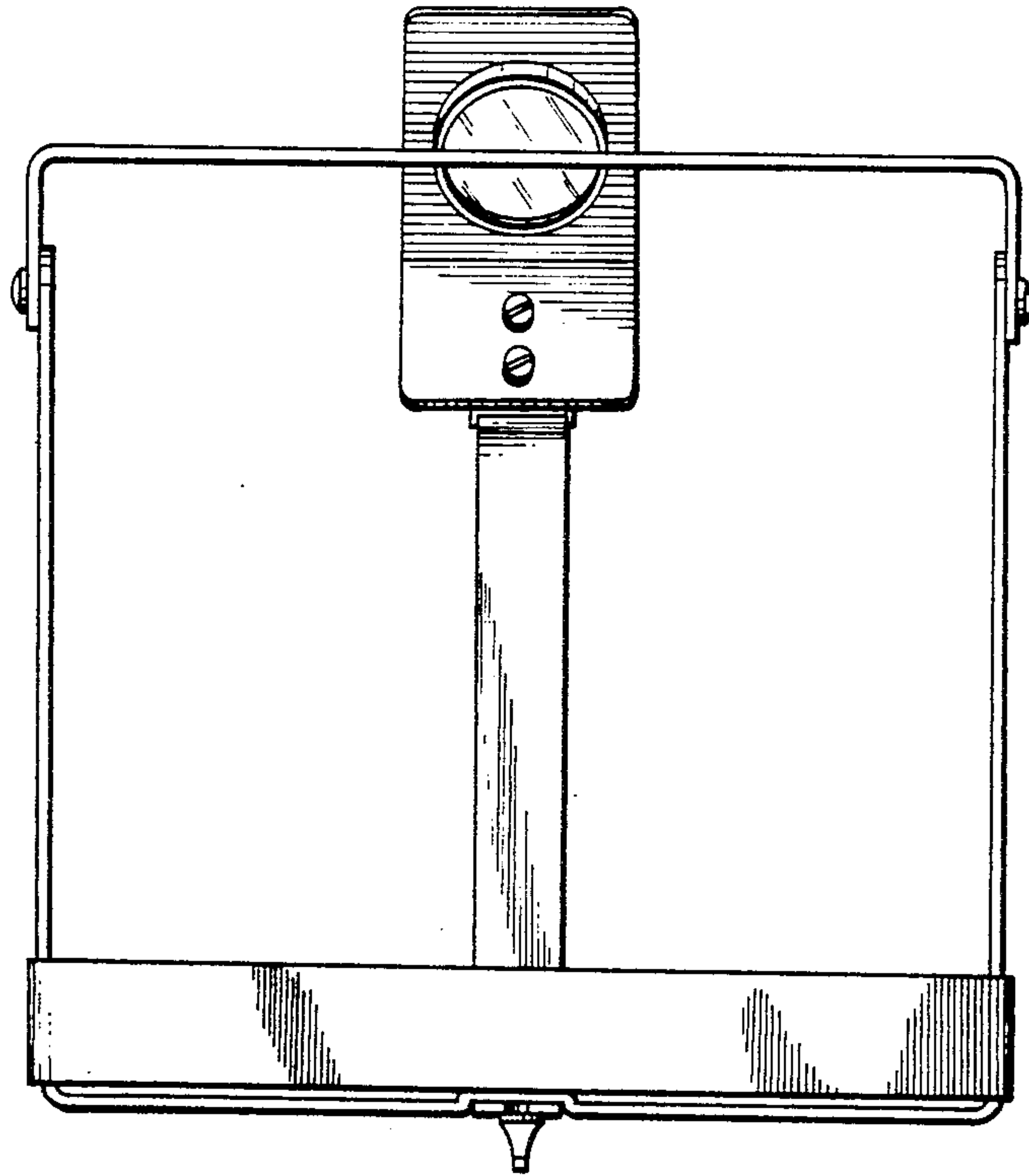


FIG. 3.

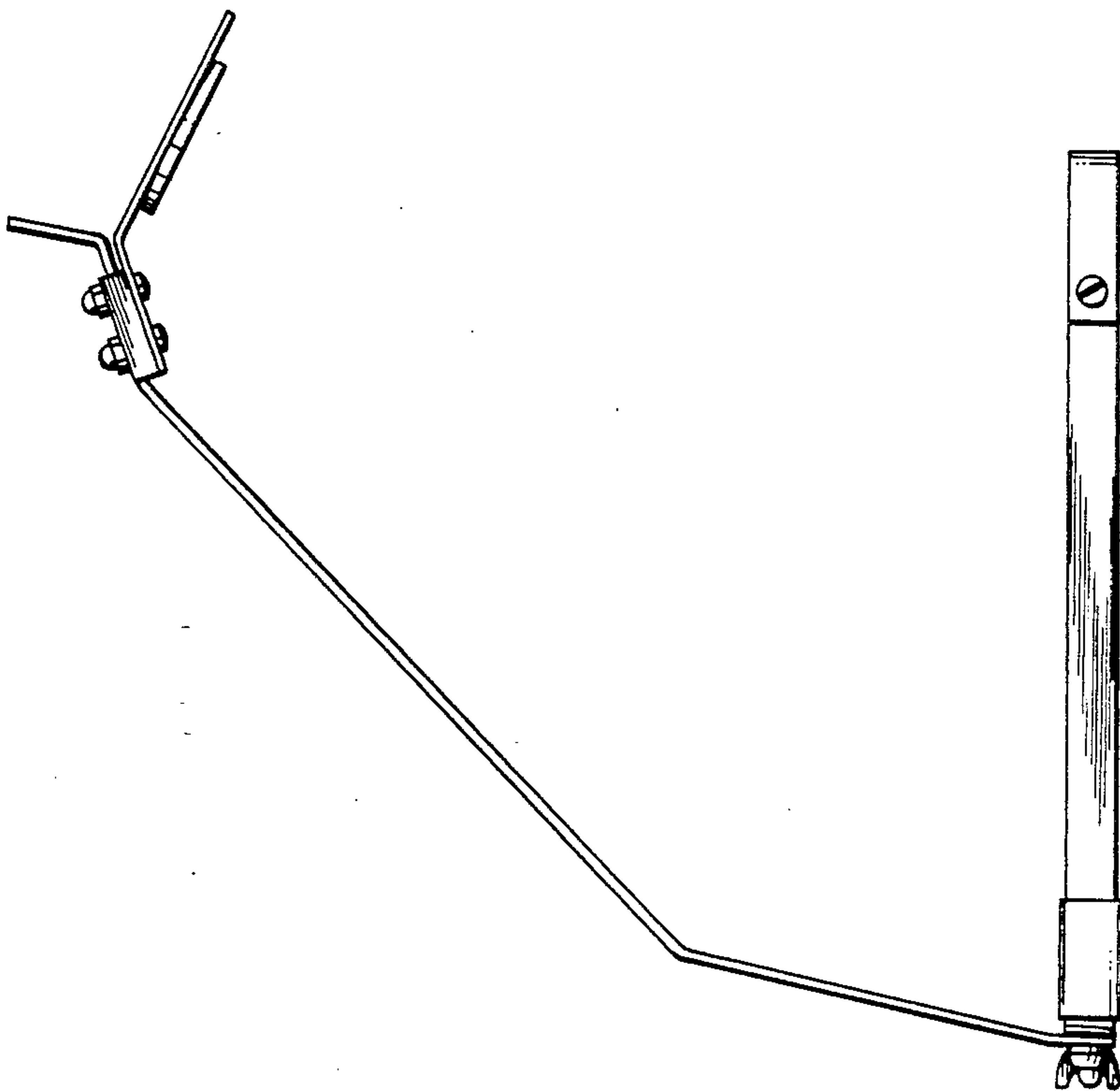


FIG. 4.

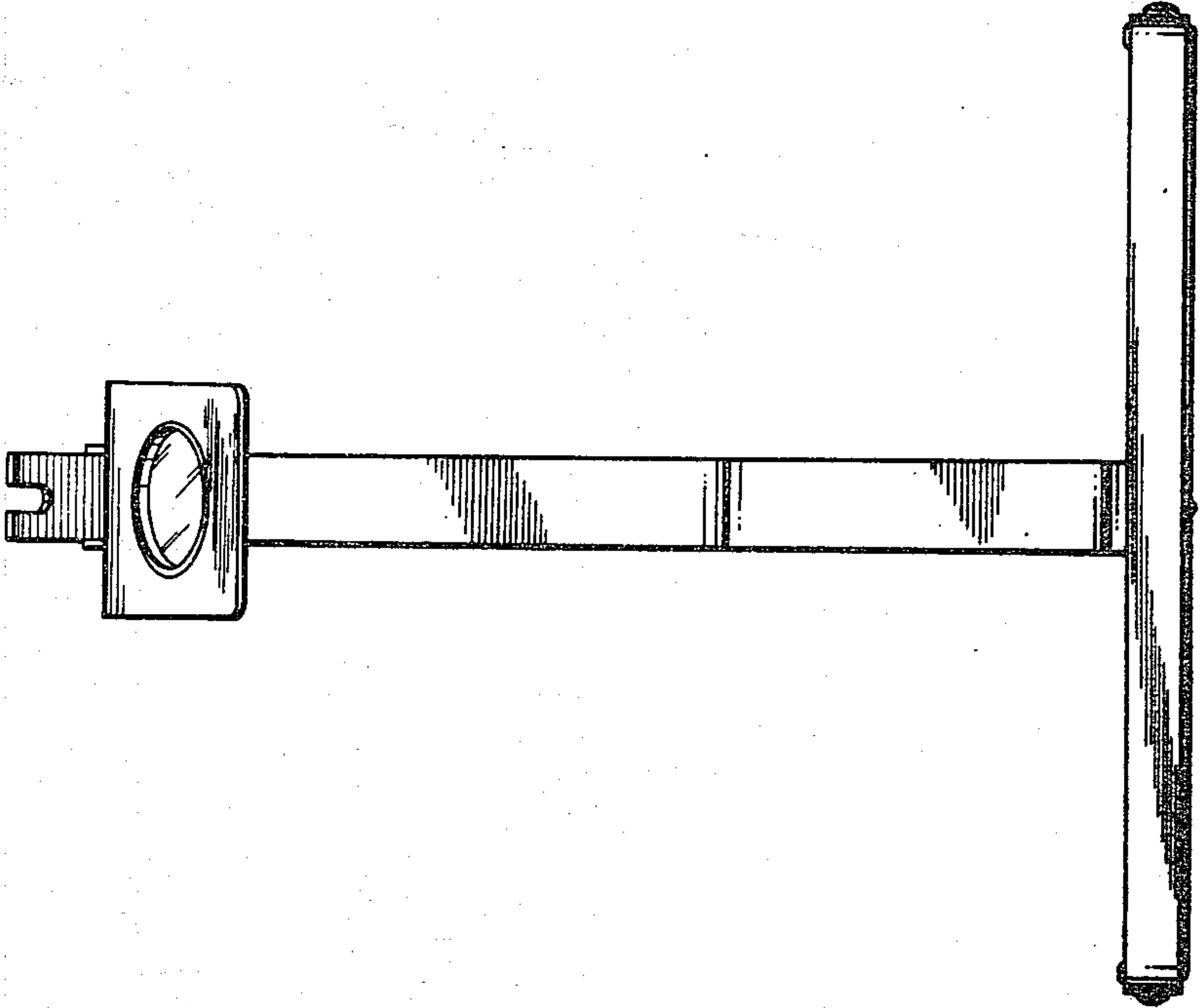


FIG. 5.

