

[54] CAMERA WITH FRAMING AND SPACING DEVICE

[75] Inventor: Edgar S. Lemmey, Woodbury, N.Y.

[73] Assignee: Lester A. Dine, Inc., Farmingdale, N.Y.

[**] Term: 14 Years

[21] Appl. No.: 564,075

[22] Filed: Dec. 21, 1983

[52] U.S. Cl. D16/6; D16/2

[58] Field of Search D16/1, 2, 5, 6-10, D16/38, 44, 47; 354/80, 219, 293, 295

[56] References Cited

U.S. PATENT DOCUMENTS

D. 226,731	4/1973	Conner	D16/9
D. 232,263	7/1974	Emmerling	D16/1
D. 233,171	10/1974	Land	D16/5
2,511,531	6/1950	Hencke	354/295

3,396,649	8/1968	Bishop	354/81
3,709,119	1/1973	Van Der Meer	354/81
3,836,927	9/1974	Dine	354/80
4,218,122	8/1980	Drafahl	354/293
4,222,654	9/1980	Bodenhamer	354/293

Primary Examiner—Nelson C. Holtje
Attorney, Agent, or Firm—Darby & Darby

[57] CLAIM

The ornamental design for a camera with framing and spacing device, as shown and described.

DESCRIPTION

FIG. 1 is a left front perspective view of a camera with framing and spacing device showing my new design. The broken-line showing of a camera is environmental only and forms no part of the claimed design; FIG. 2 is a front elevational view thereof; FIG. 3 is a left side elevational view thereof, the right side being a mirror image thereto; FIG. 4 is a top plan view thereof; FIG. 5 is a bottom plan view thereof.

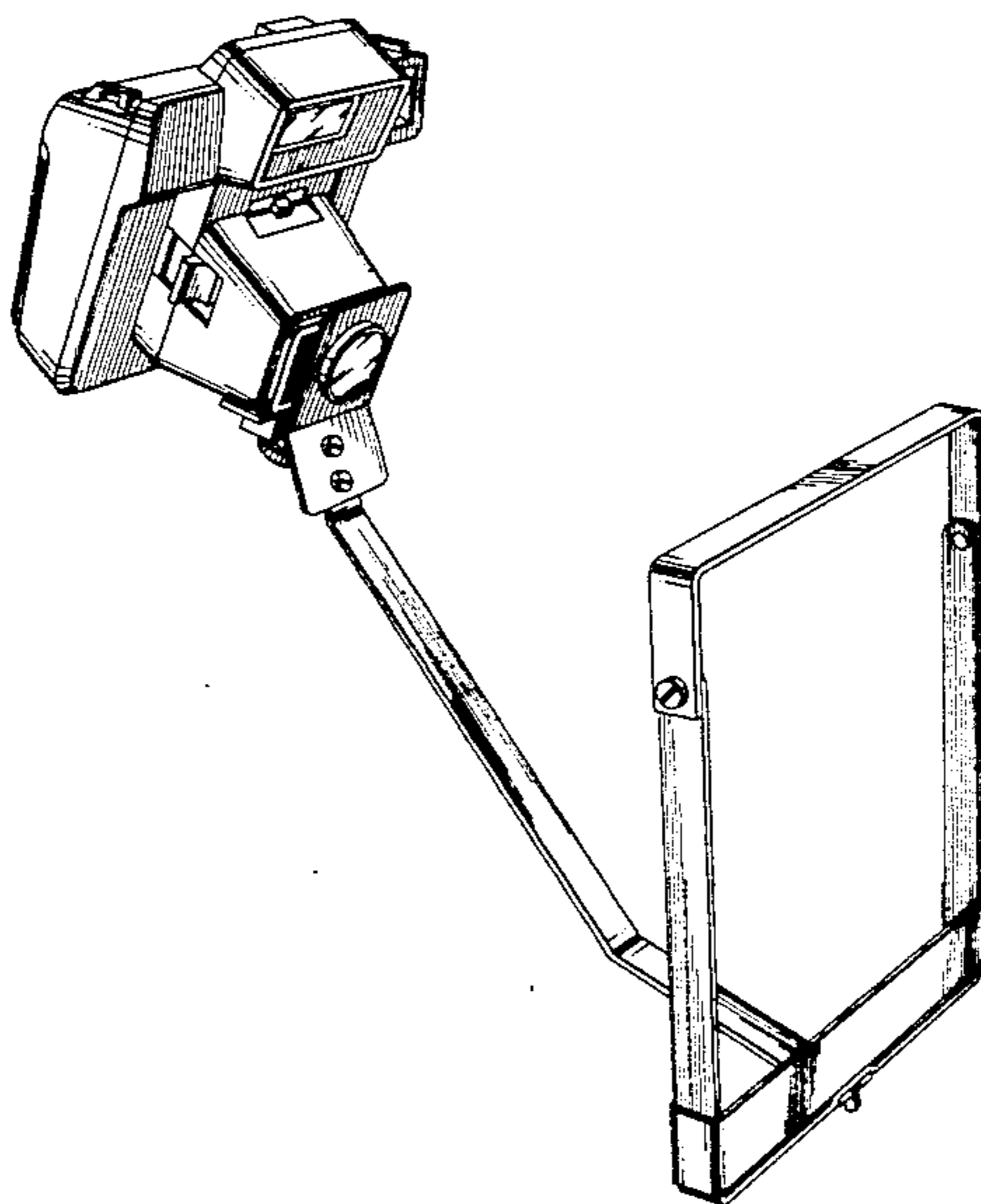


FIG. 1.

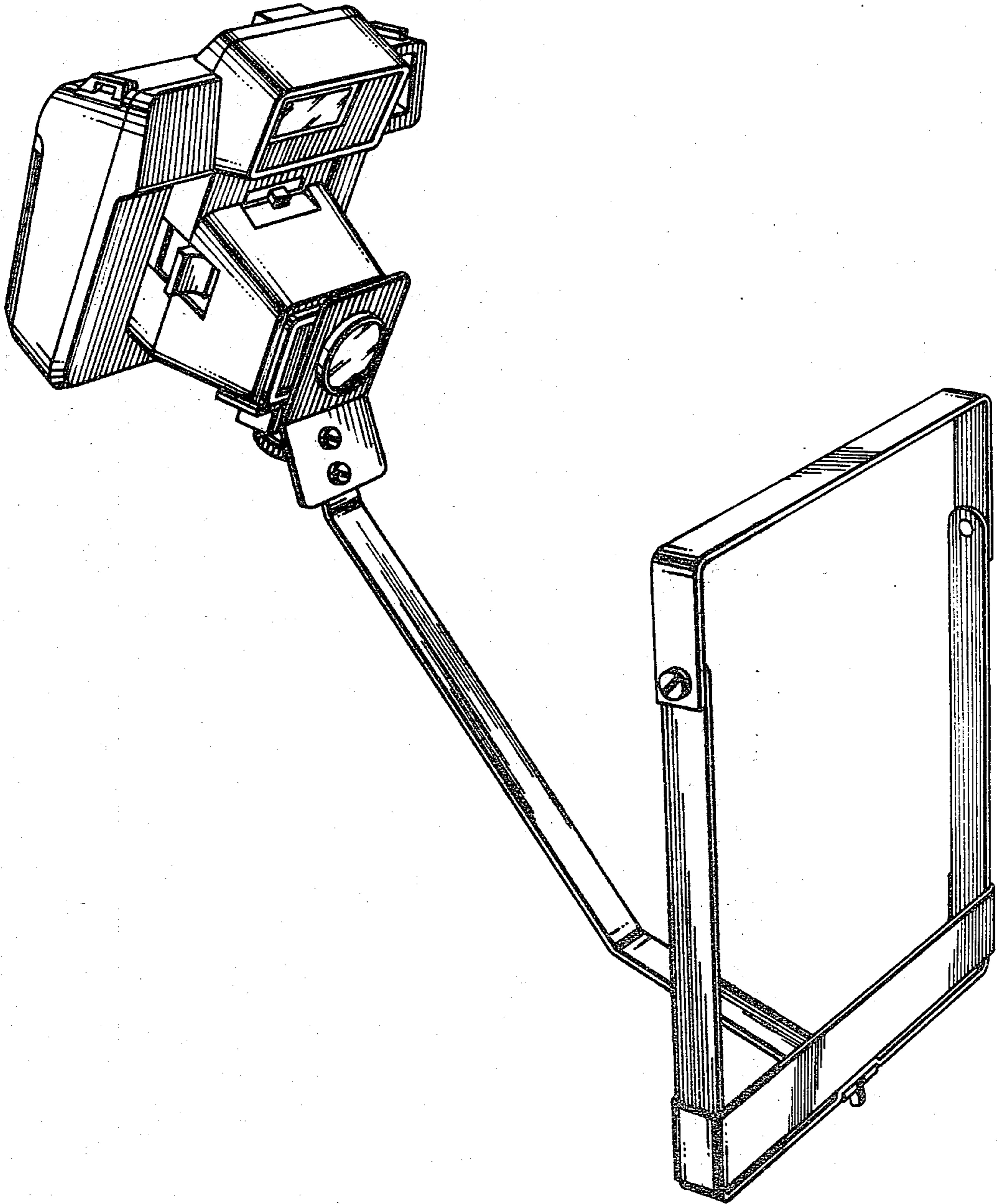


FIG. 2.

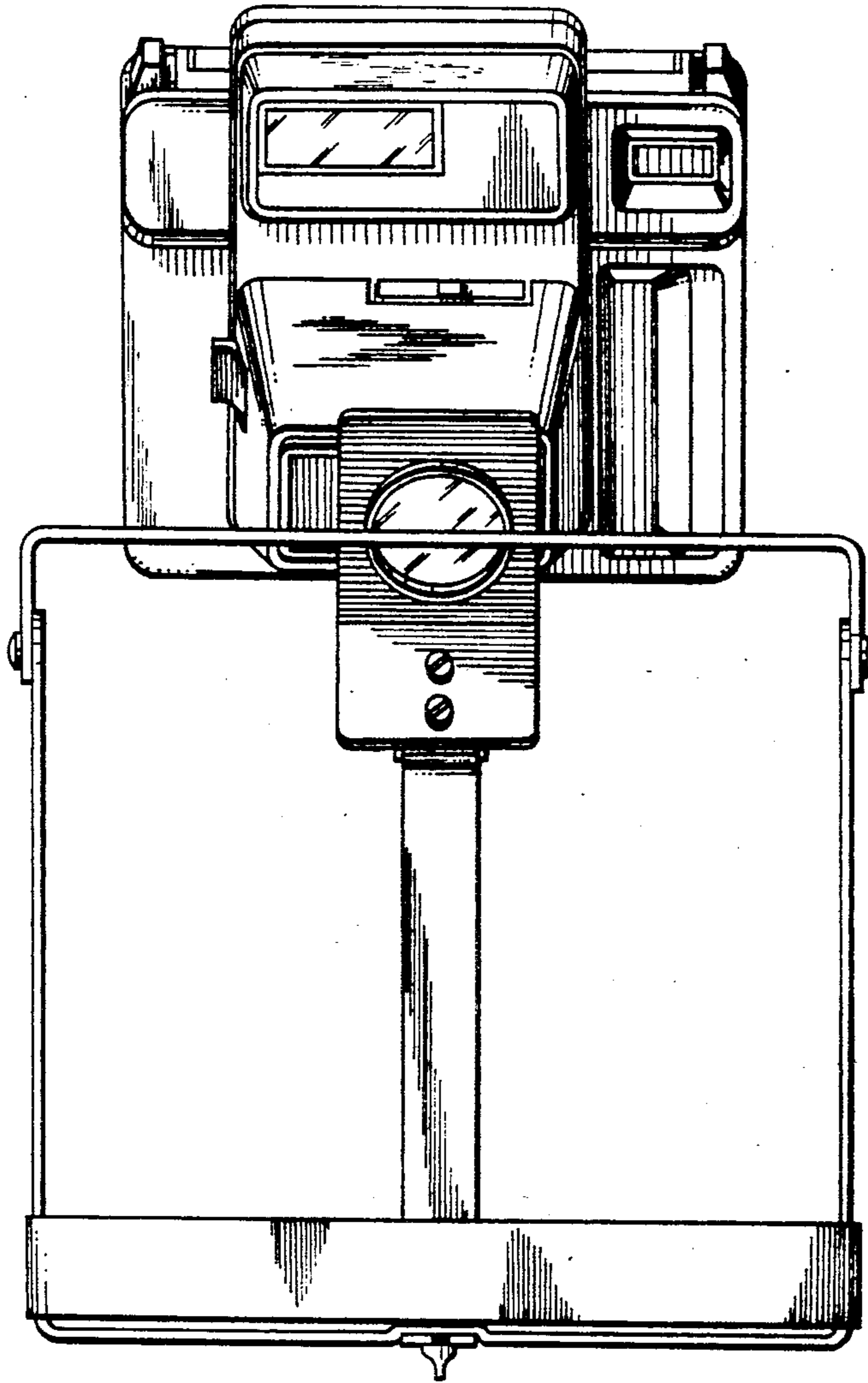


FIG. 3.

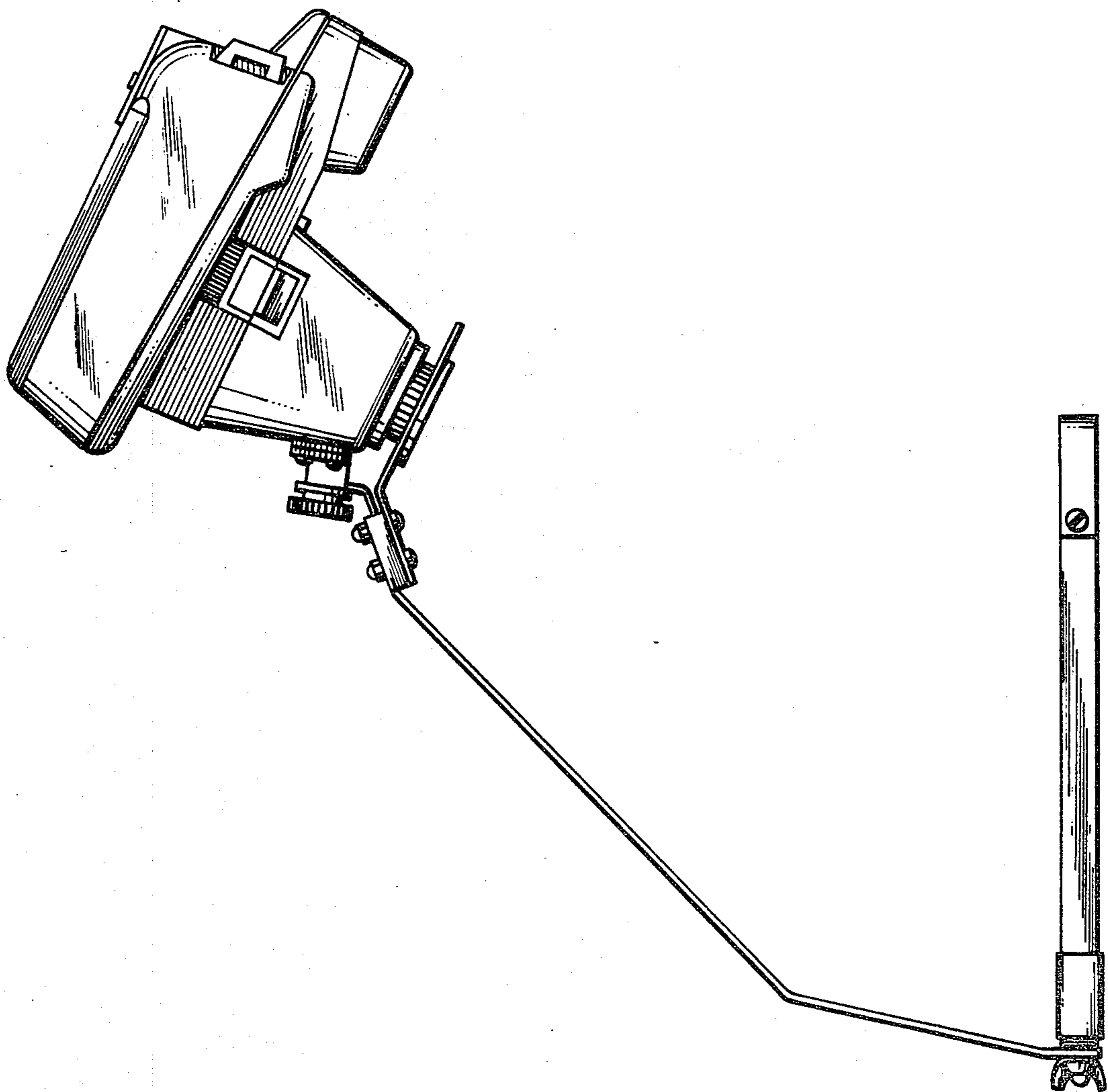


FIG. 4.

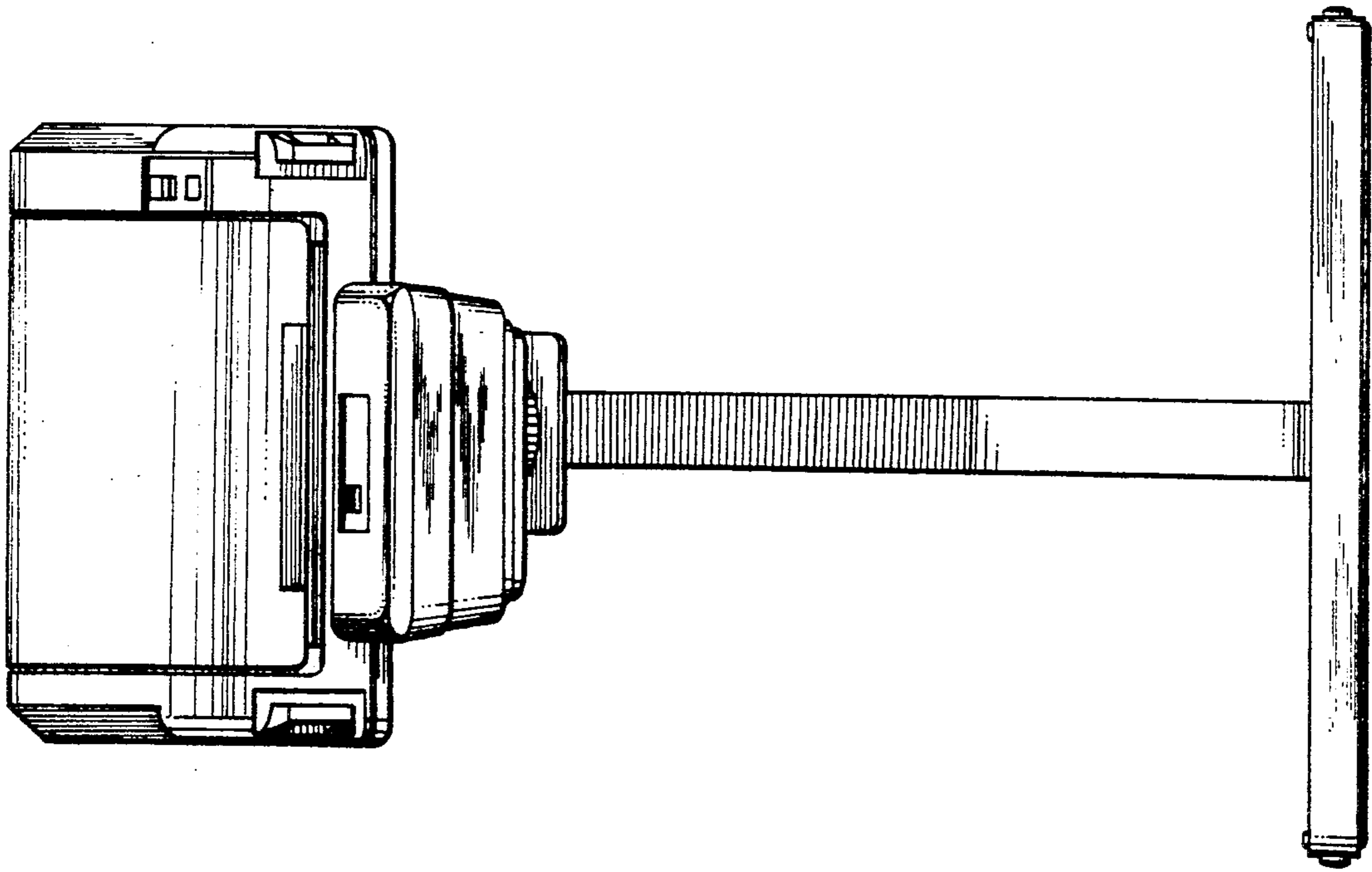


FIG. 5.

