

[54] **CLUTCH PLATE ALIGNMENT HUB**

[76] **Inventor: William E. Brown, 95 Elmwood Dr., Springboro, Ohio 45066**

[\*\*] **Term: 14 Years**

[21] **Appl. No.: 486,222**

[22] **Filed: Apr. 18, 1983**

[52] **U.S. Cl. .... D15/148**

[58] **Field of Search ..... D15/148; 192/106.1, 192/106.2, 30 R**

[56] **References Cited**

**U.S. PATENT DOCUMENTS**

4,270,645	6/1981	Beccaris .....	192/106.1
4,418,812	12/1983	Lech, Jr. ....	192/106.1
4,445,606	5/1984	Van Laningham .....	192/106.1
4,446,955	5/1984	Lech, Jr. ....	192/106.1

**OTHER PUBLICATIONS**

Stock Drive Products—Handbook of Small Standardized Components Cat. 747; ©1979; p. 297; One Piece Flexible Coupling 5R5-2516.

*Primary Examiner*—B. J. Bullock  
*Attorney, Agent, or Firm*—Jacox & Meckstroth

[57] **CLAIM**

The ornamental design of a clutch plate alignment hub, substantially as shown and described.

**DESCRIPTION**

FIG. 1 is a perspective view of a clutch plate alignment hub showing my new design;  
FIG. 2 is a side view thereof;  
FIG. 3 is a left end view thereof;  
FIG. 4 is a right end view thereof.

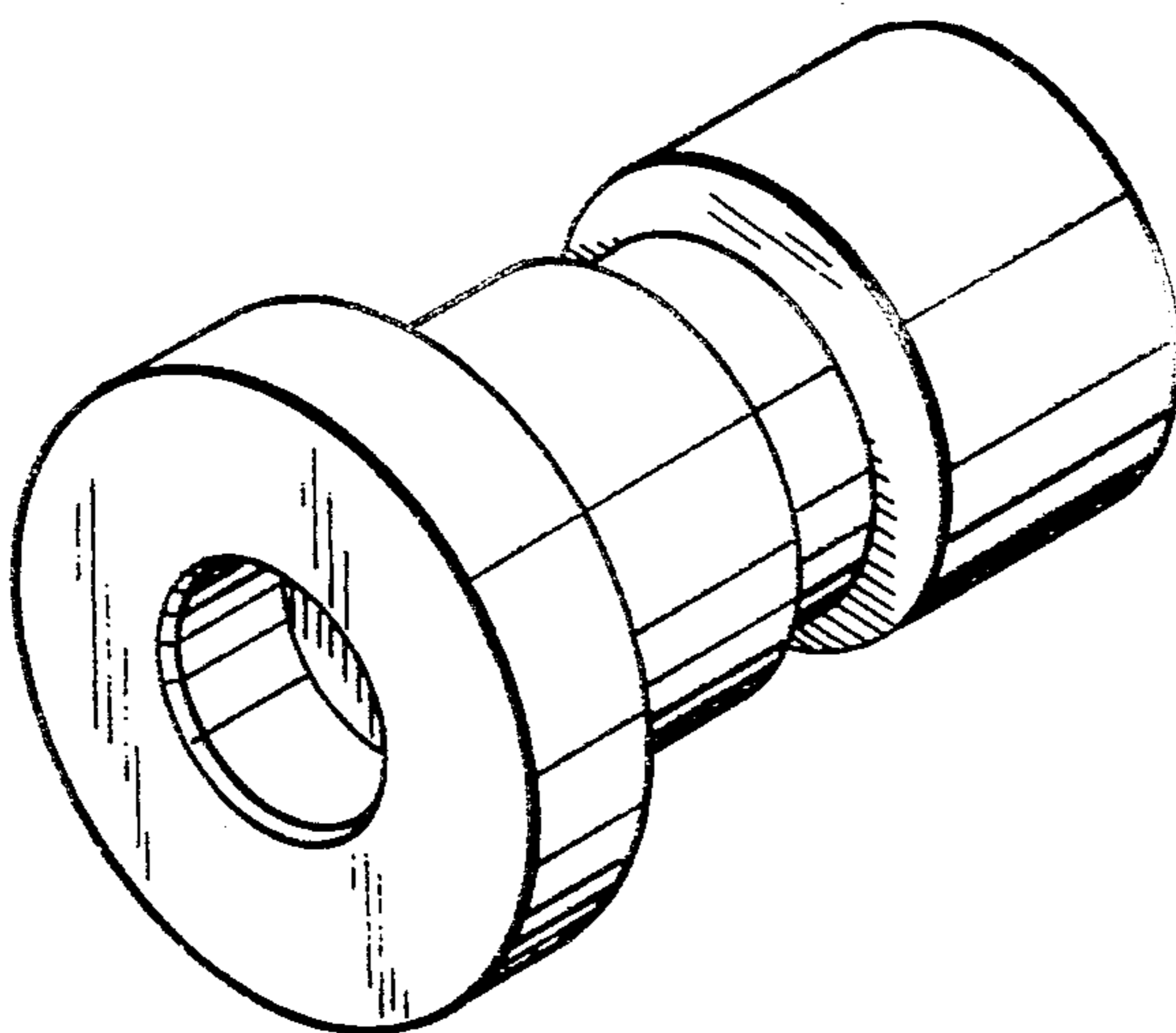


FIG-1

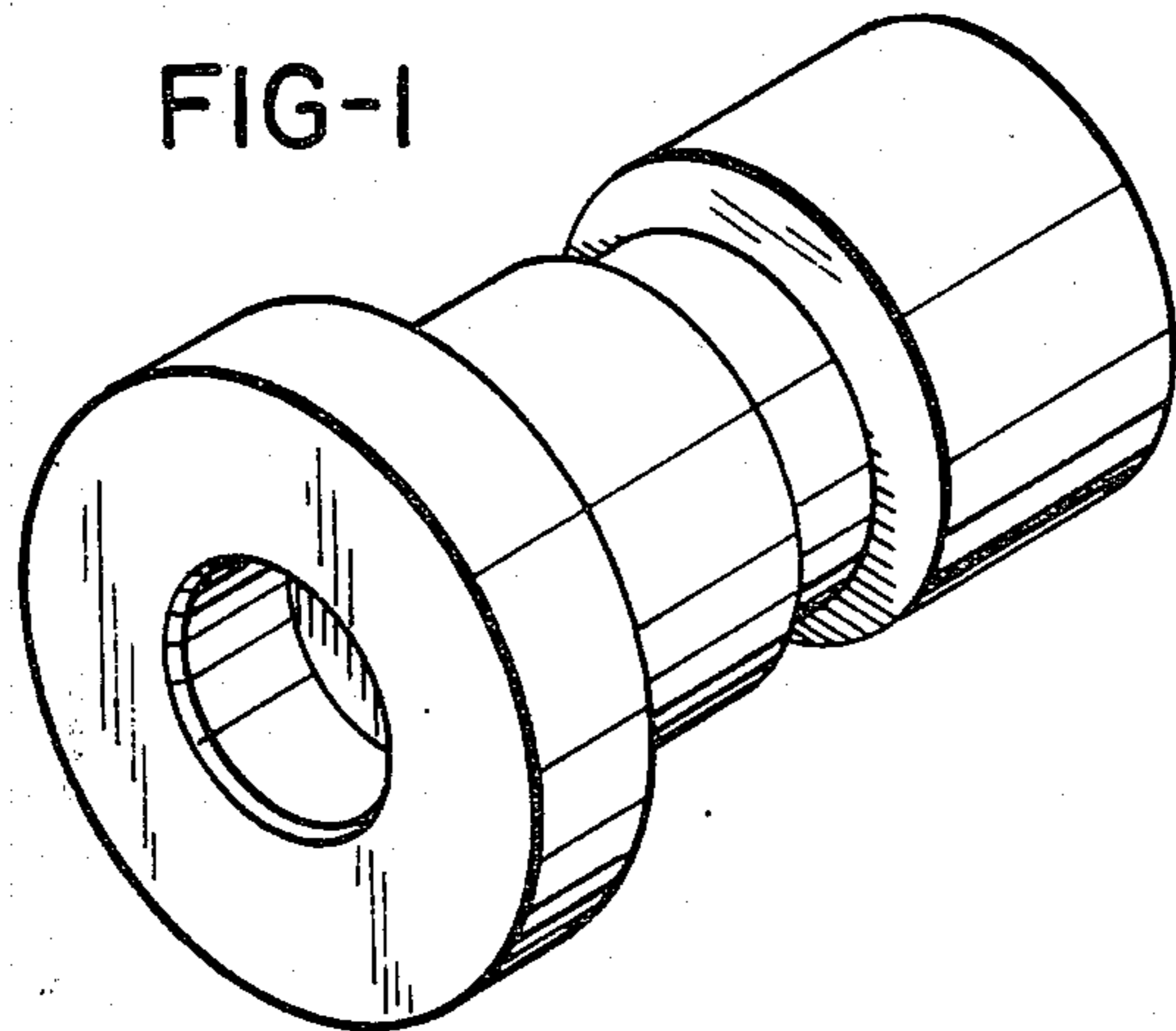


FIG-2

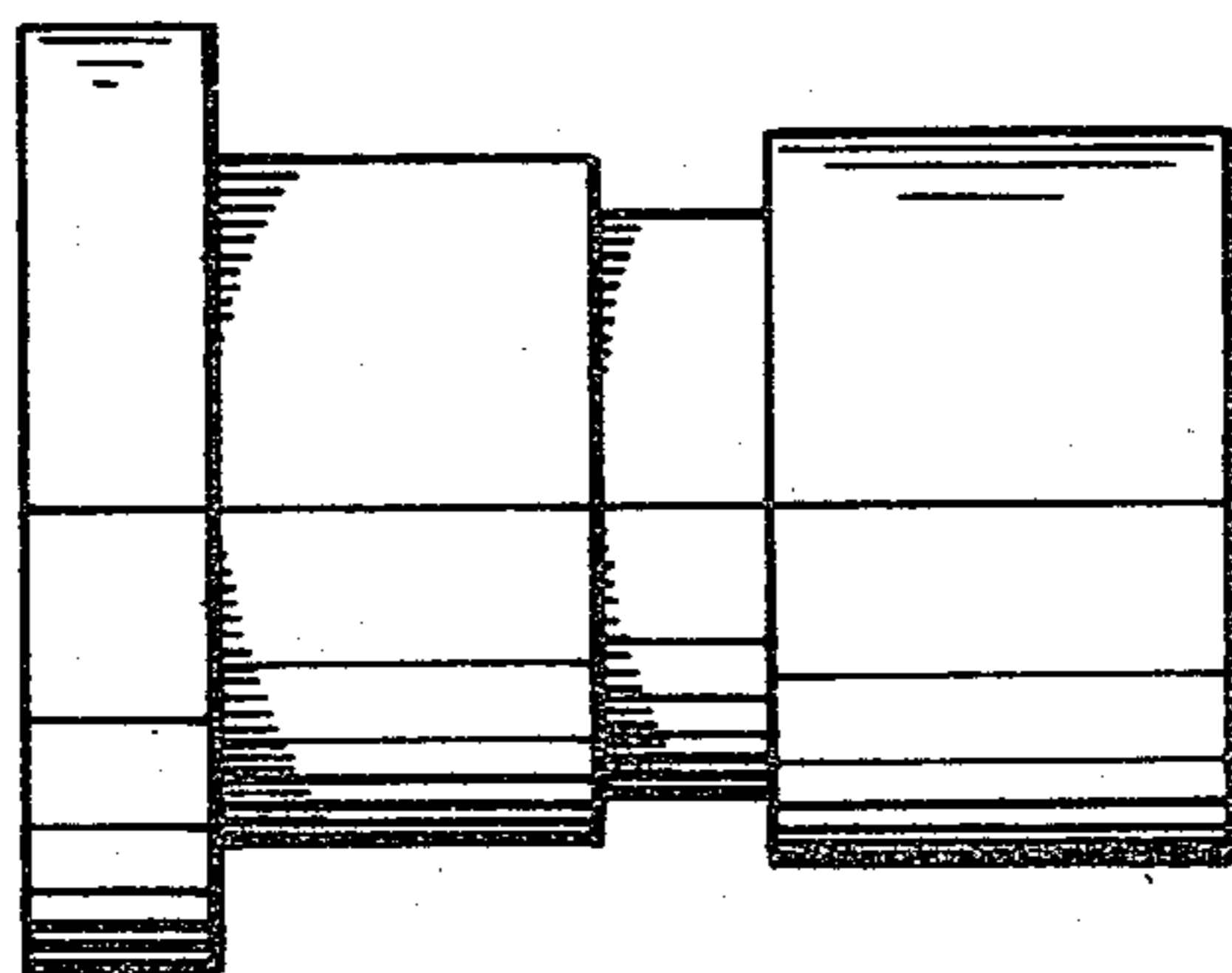


FIG-3

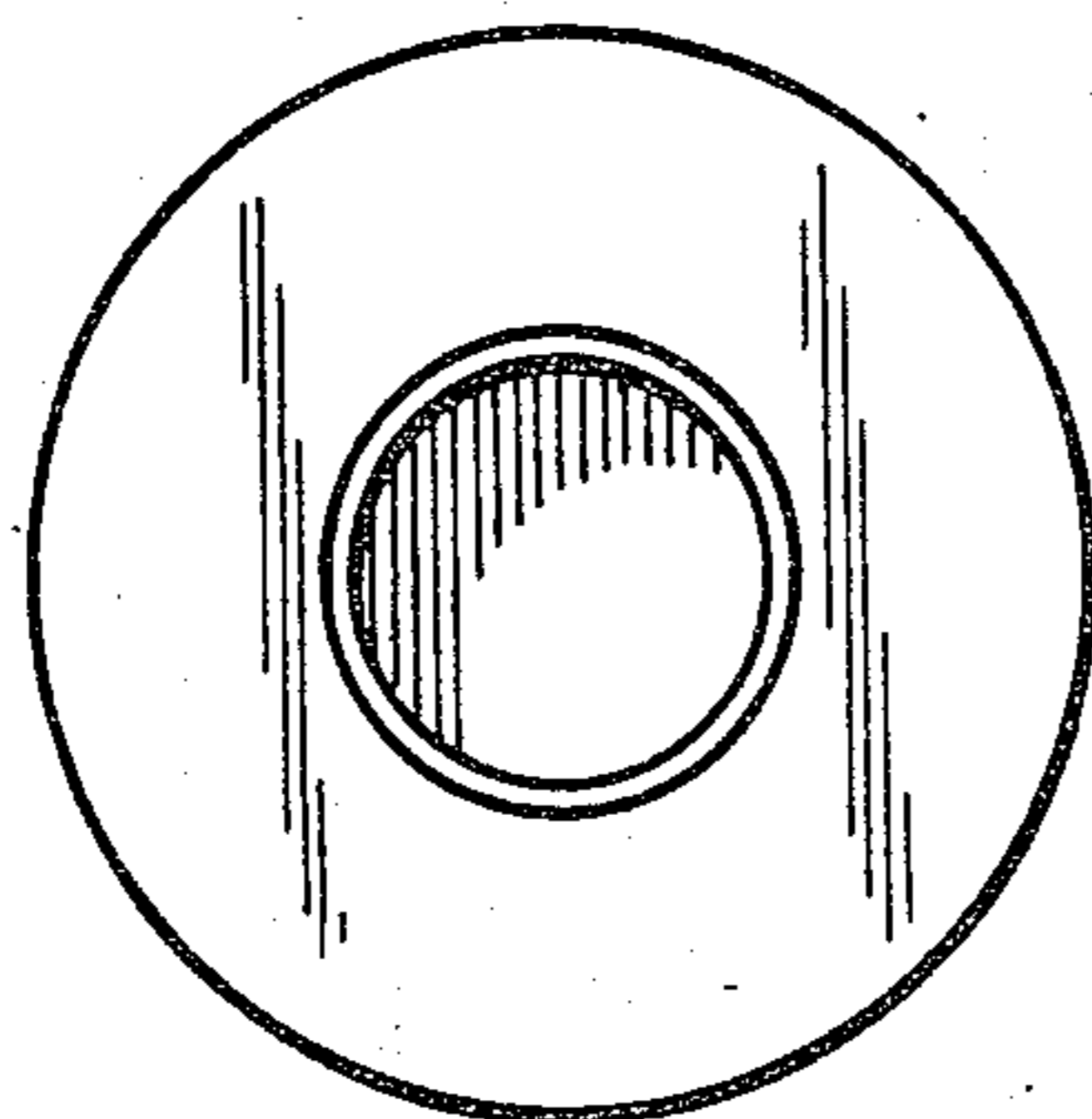


FIG-4

