

[54] TELEPHONE STAND

[75] Inventors: Donald M. Genaro, Haworth, N.J.; John N. McGarvey, Drexel Hill, Pa.

[73] Assignee: AT&T Bell Laboratories, Murray Hill, N.J.

[**] Term: 14 Years

[21] Appl. No.: 586,202

[22] Filed: Mar. 5, 1984

Related U.S. Application Data

[63] Continuation-in-part of Ser. No. 455,916, Jan. 5, 1983, abandoned.

[52] U.S. Cl. D14/60; D14/61; D14/56; D14/58

[58] Field of Search D14/52, 53, 56, 59, D14/60, 61; 179/179, 178, 100 R, 100 D, 100 C, 100 L, 101

[56] References Cited

U.S. PATENT DOCUMENTS

- D. 211,737 7/1968 Dreyfuss 14/53
- D. 264,347 5/1982 Peroni D18/11
- D. 265,401 7/1982 Genaro et al. D14/53
- D. 271,691 12/1983 Blat et al. D14/60
- D. 271,971 12/1983 Genaro et al. D14/60
- D. 276,339 11/1984 Read D14/60
- D. 276,431 11/1984 Bartley et al. D14/60
- D. 277,001 1/1985 McGarvey et al. D14/60
- D. 277,002 1/1985 Genaro et al. D14/60
- D. 277,282 1/1985 Barton et al. D14/59
- D. 277,479 2/1985 Genaro et al. D14/59
- D. 277,571 2/1985 Cooke et al. D14/60
- D. 279,003 5/1985 Cousins D14/59
- D. 279,777 7/1985 Cooke et al. D14/53
- D. 280,325 8/1985 Joffe et al. D14/60

4,385,212 5/1983 Tyler 179/100 D

Primary Examiner—Wallace R. Burke
Assistant Examiner—Horace B. Fay
Attorney, Agent, or Firm—Harry L. Newman

[57] CLAIM

The ornamental design for a telephone stand, substantially as shown and described.

DESCRIPTION

FIG. 1 is a perspective view of our new design for a telephone stand, the stand in this embodiment being adapted for use on a horizontal surface;

FIG. 2 is a side elevation view of the telephone stand shown in FIG. 1, the opposite side being essentially a mirror image thereof;

FIG. 3 is a bottom plan view of the telephone stand shown in FIG. 1;

FIG. 4 is a front elevation view of the telephone stand shown in FIG. 1;

FIG. 5 is a rear elevation view of the telephone stand shown in FIG. 1;

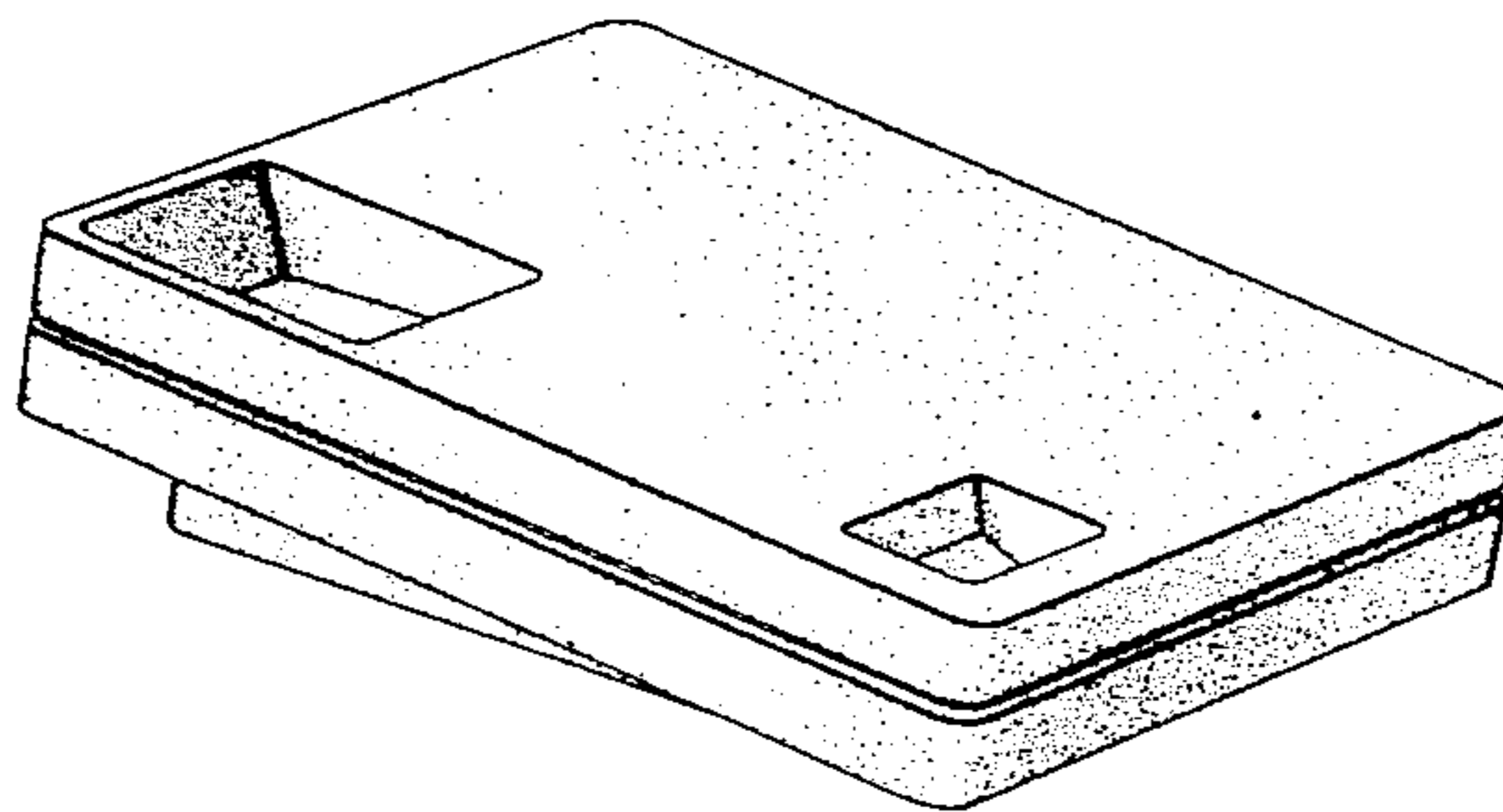
FIG. 6 is a top plan view of the telephone stand shown in FIG. 1;

FIG. 7 is a perspective view of a second embodiment of our new design for a telephone stand, the stand in this embodiment being adapted for use on a vertical surface; FIG. 8 is a side elevation view of the telephone stand shown in FIG. 7 the opposite side being essentially a mirror image thereof;

FIG. 9 is a front plan view of the telephone stand shown in FIG. 7;

FIG. 10 is a rear plan view of the telephone stand shown in FIG. 7; and

FIG. 11 is a top elevation view of the telephone stand shown in FIG. 7, the bottom elevation view being essentially the same as shown in FIG. 5.



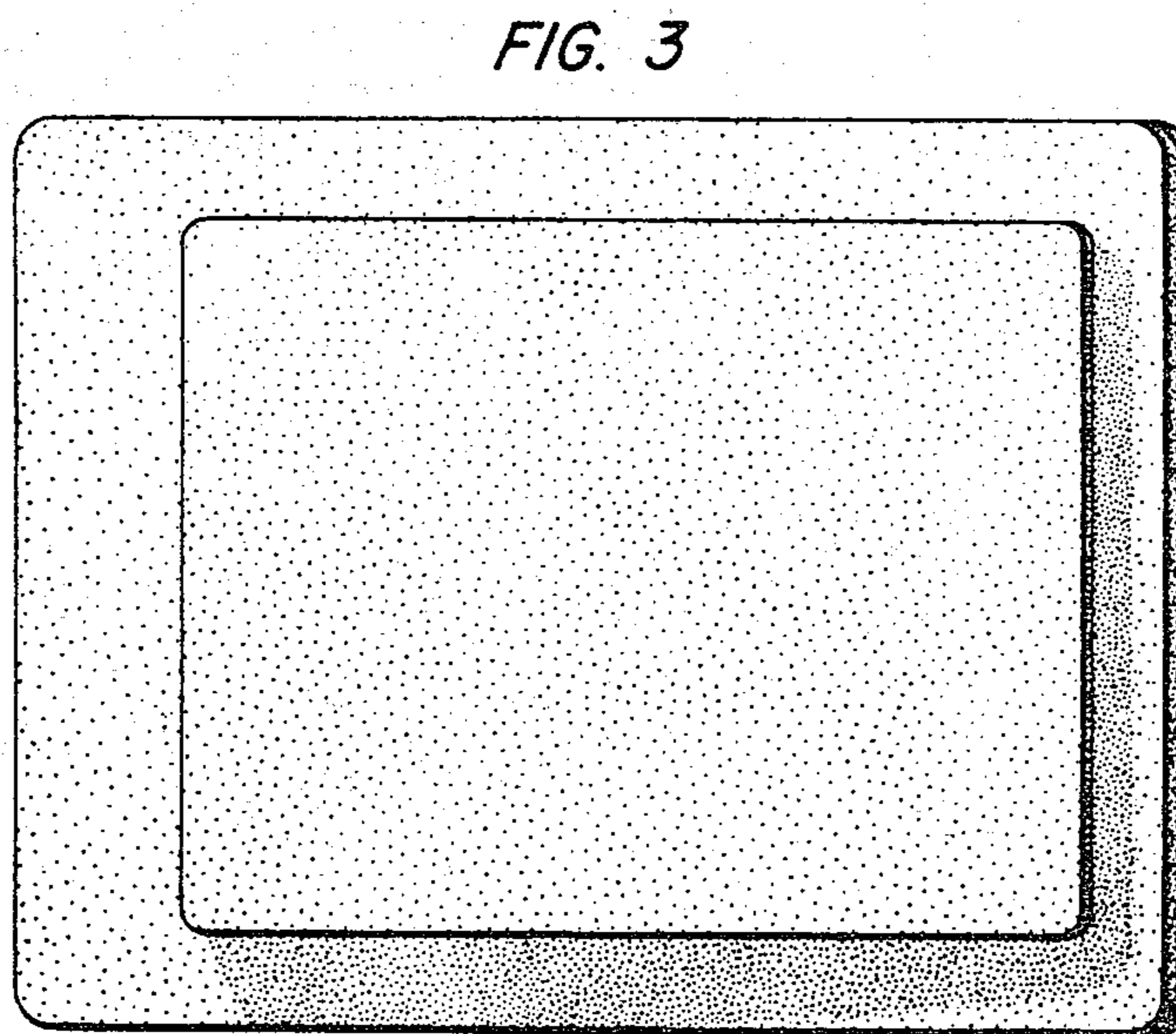
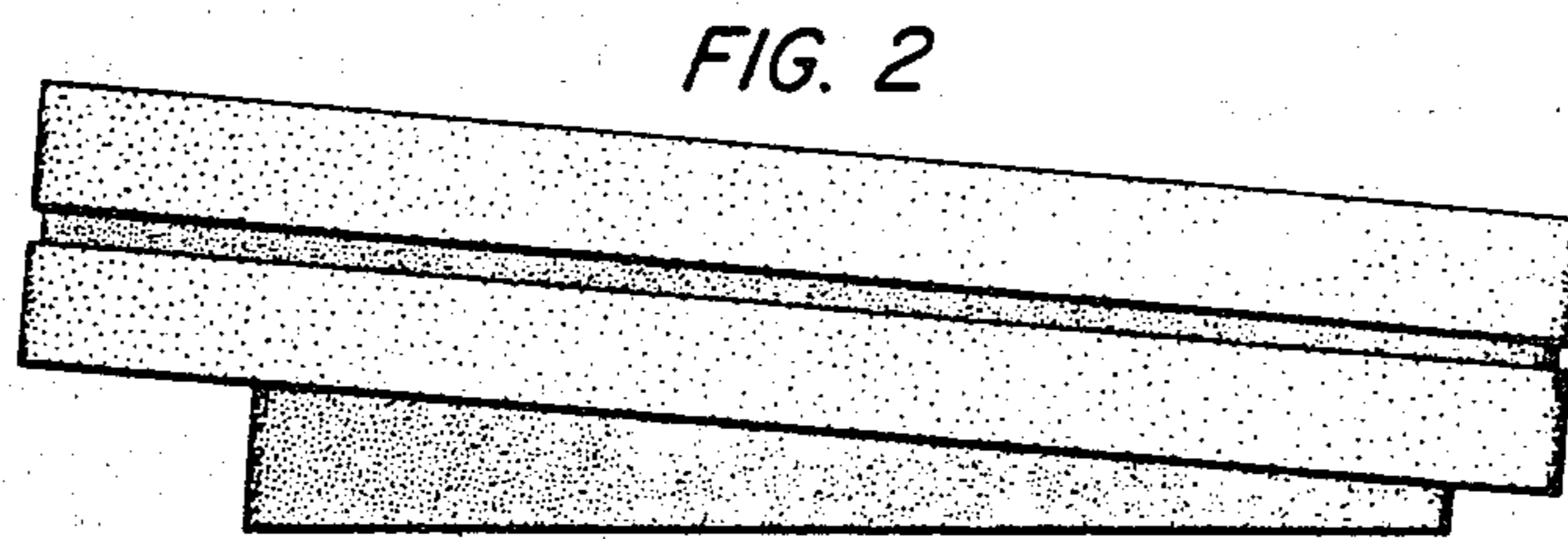
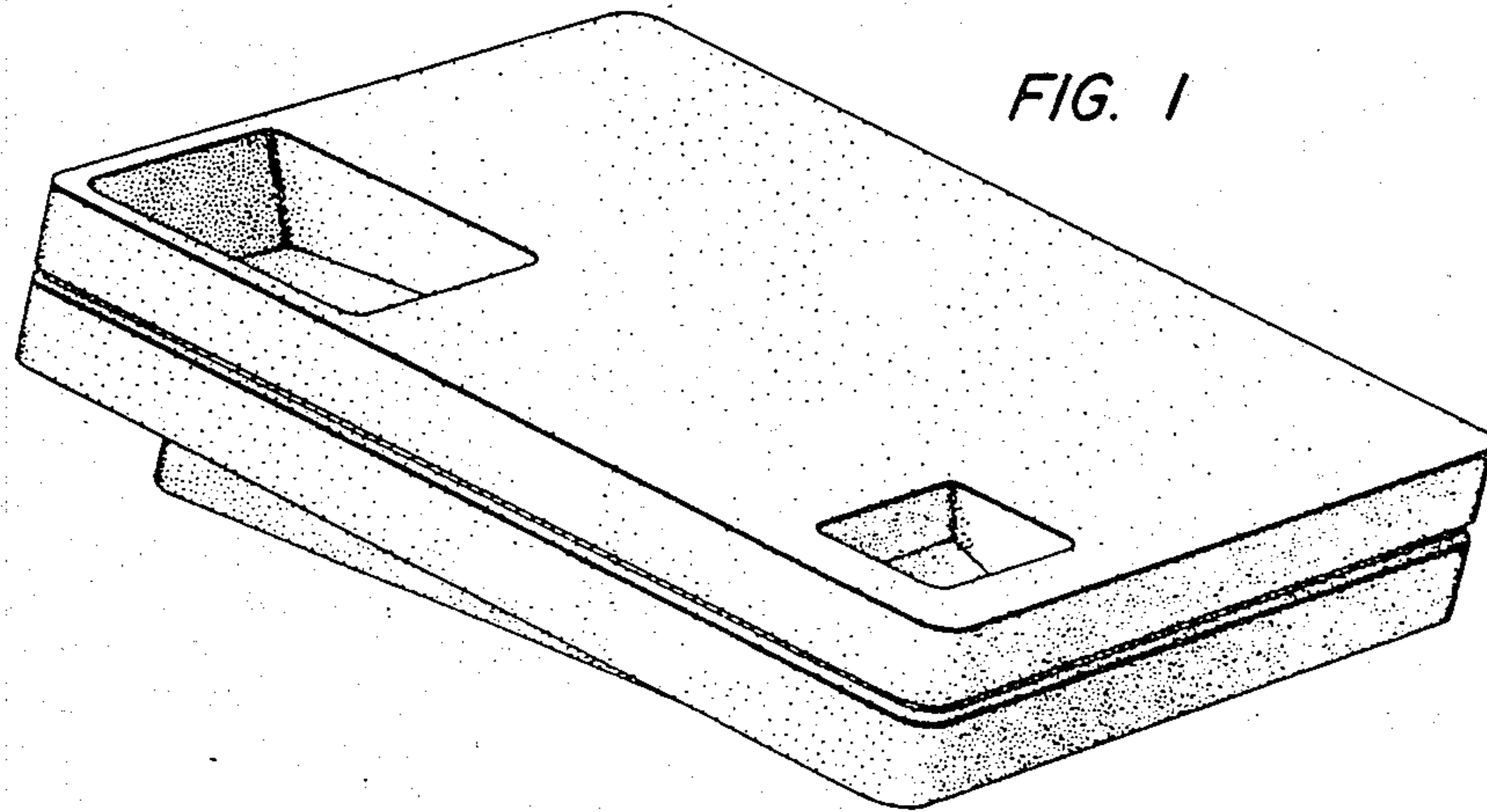


FIG. 4

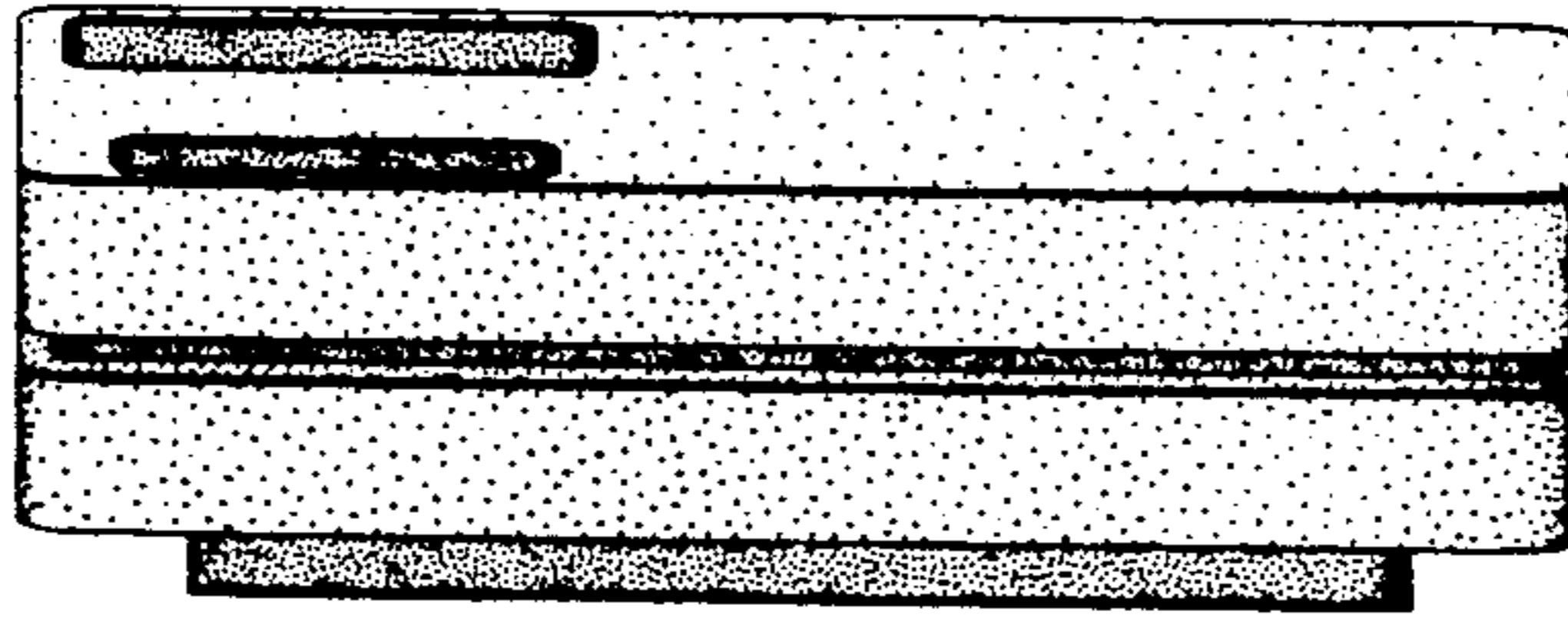


FIG. 5

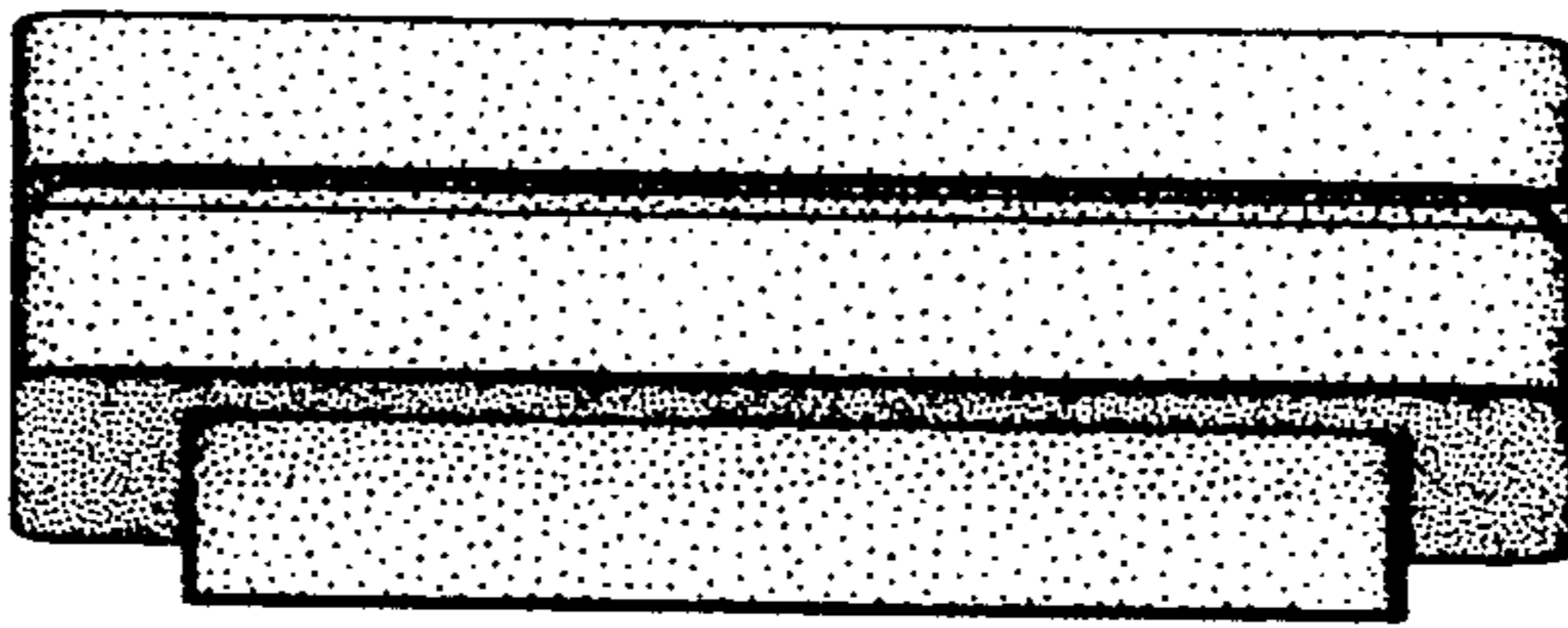


FIG. 6

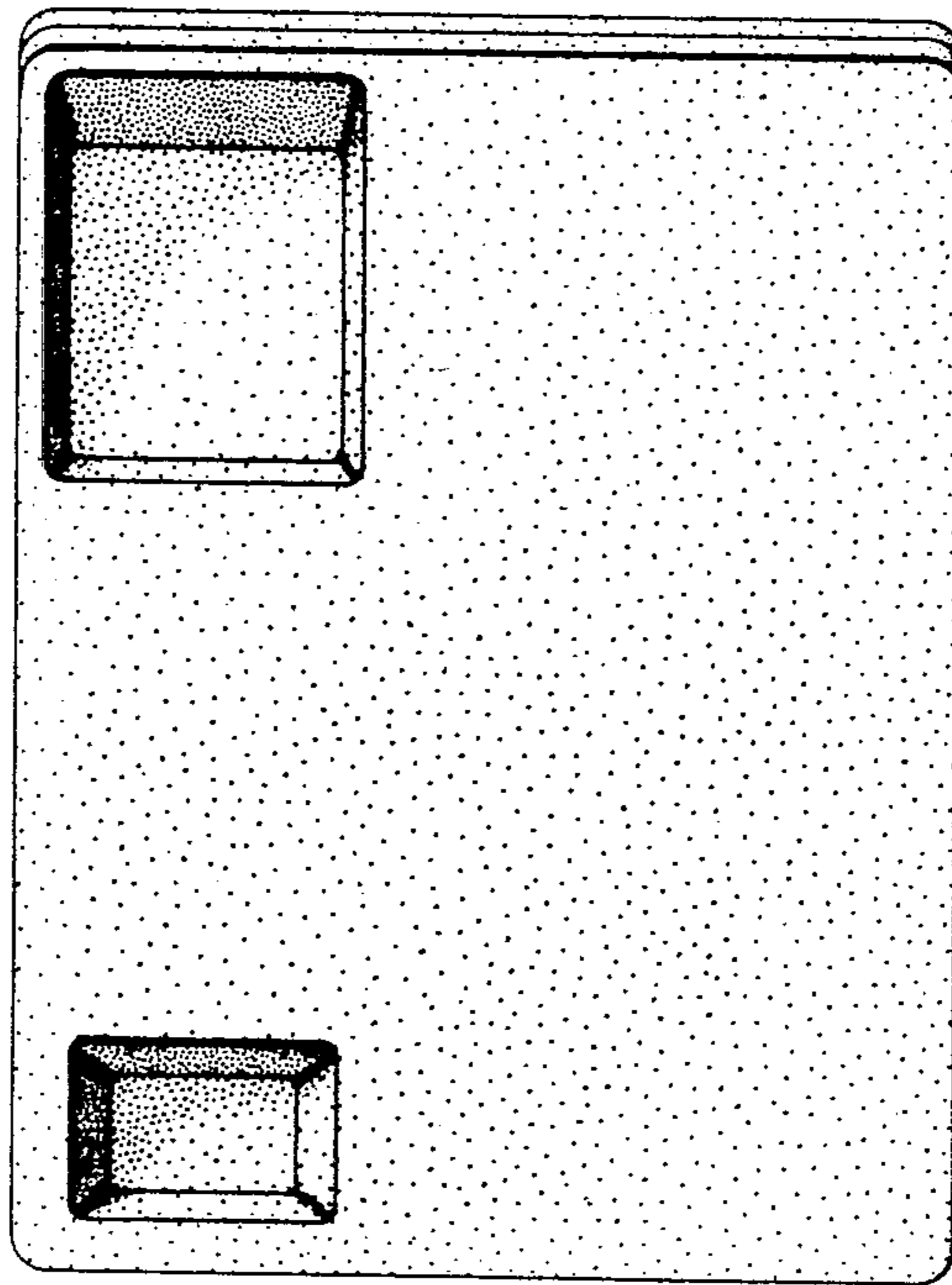


FIG. 7

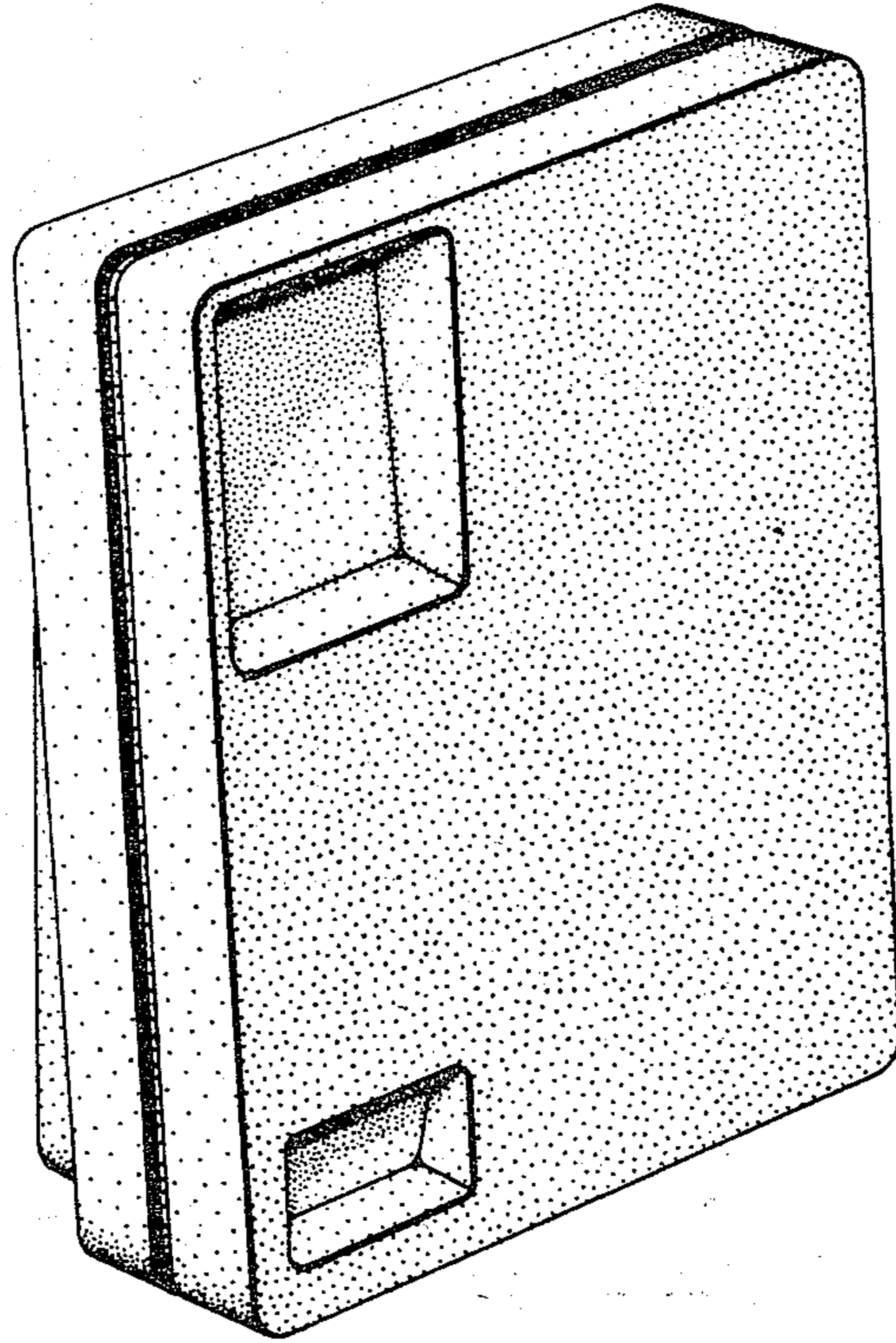


FIG. 8

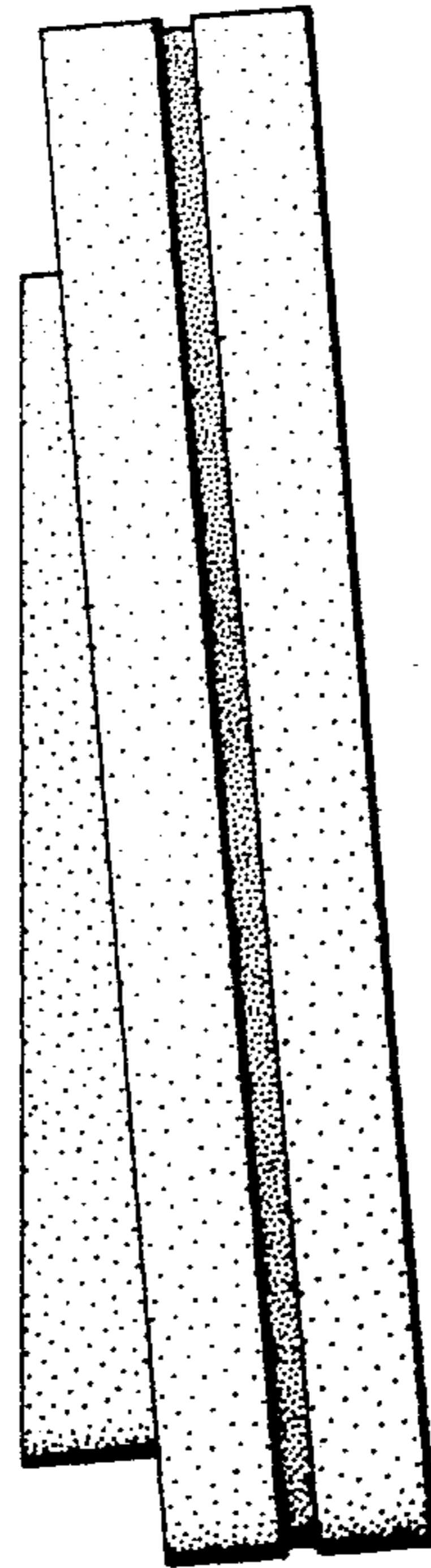


FIG. 9

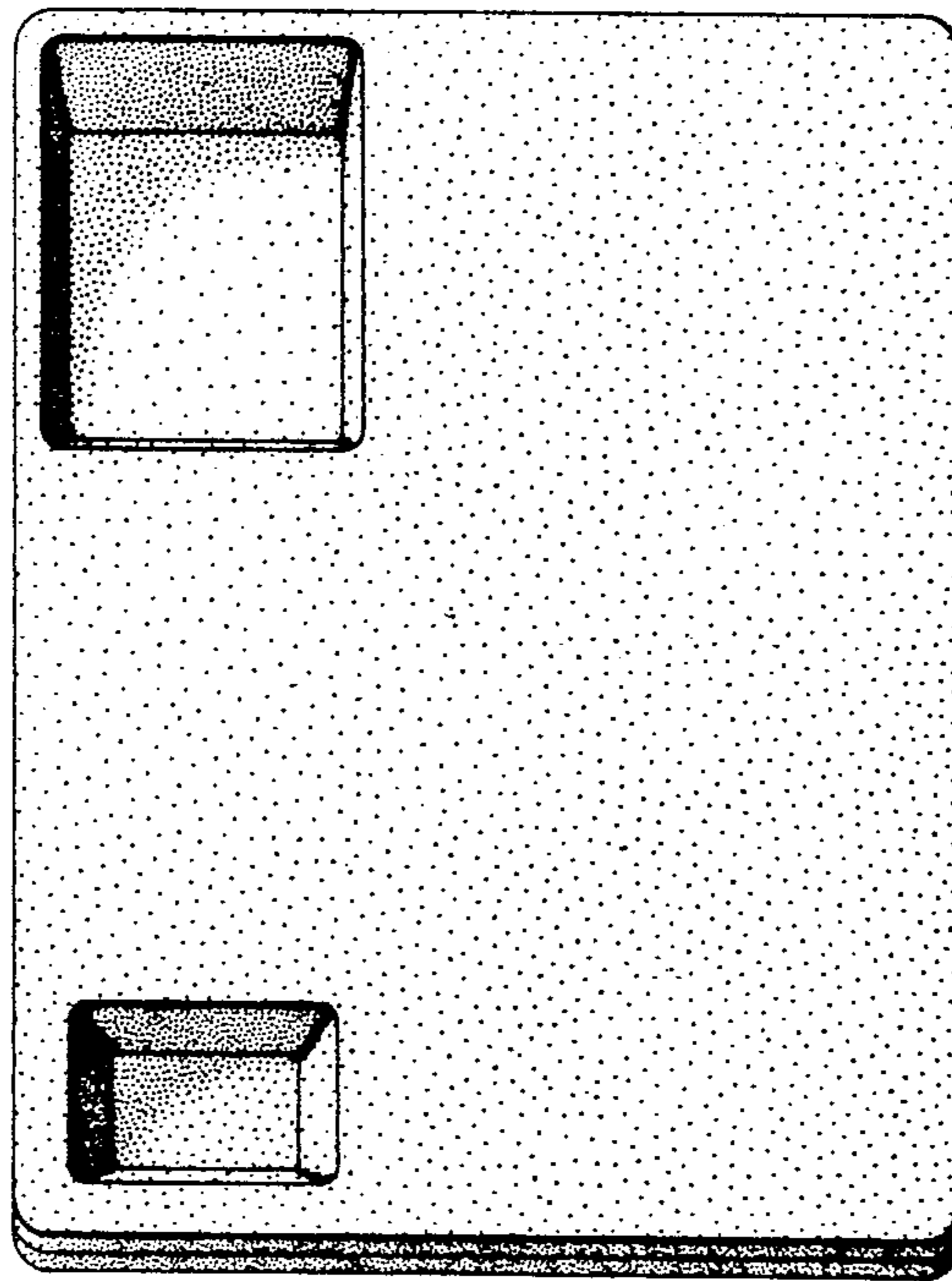


FIG. 10

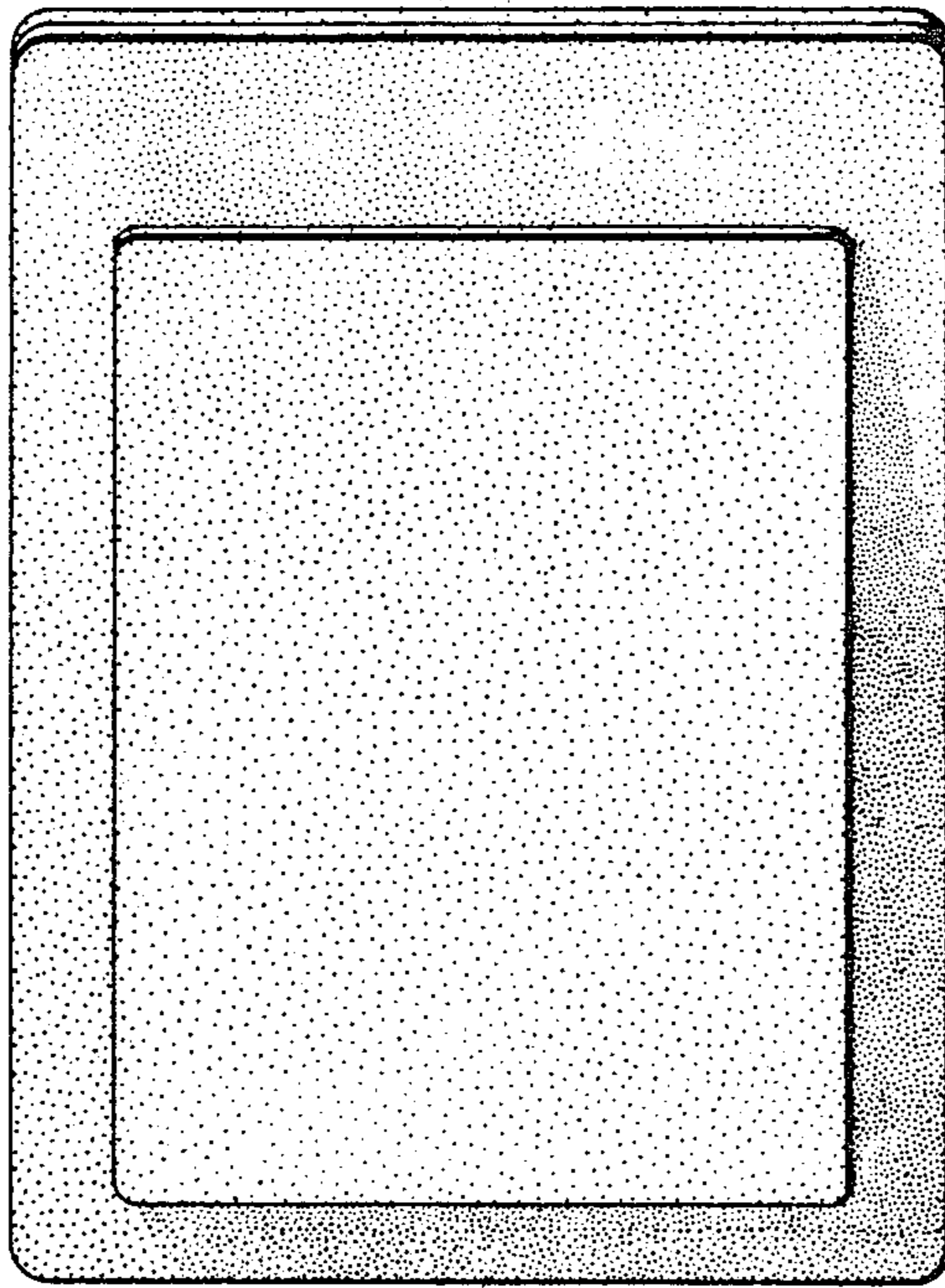


FIG. 11

