

[54] CLOCK

[76] Inventor: Wasyl W. Semenec, 4153 Shirlee La. South, Shoreview, Minn. 55112

[**] Term: 14 Years

[21] Appl. No.: 569,337

[22] Filed: Jan. 9, 1984

[52] U.S. Cl. D10/21; D10/16; D10/29

[58] Field of Search D10/1, 16, 20, 21, 27, D10/29, 130; 368/134, 150, 152, 179

[56] References Cited

U.S. PATENT DOCUMENTS

- D. 112,383 11/1938 Silvers D10/27
- D. 208,793 10/1967 McLeod D10/21
- D. 264,315 5/1982 White D10/16 X

OTHER PUBLICATIONS

Gifts & Dec. Access.—5/66—p. 52—Clock at bottom center.

Primary Examiner—Nelson C. Holtje
Attorney, Agent, or Firm—Burd, Bartz & Gutenkauf

[57] CLAIM

The ornamental design for a clock, substantially as shown and described.

DESCRIPTION

FIG. 1 is a left front perspective view of a clock showing my new design;

FIG. 2 is a front elevational view thereof;

FIG. 3 is a right side elevational view thereof, the left side being a mirror image thereof;

FIG. 4 is a rear elevational view thereof;

FIG. 5 is a top plan view thereof;

FIG. 6 is a bottom plan view thereof;

FIG. 7 is an enlarged cross-sectional view thereof as taken from line 7—7 of FIG. 2.

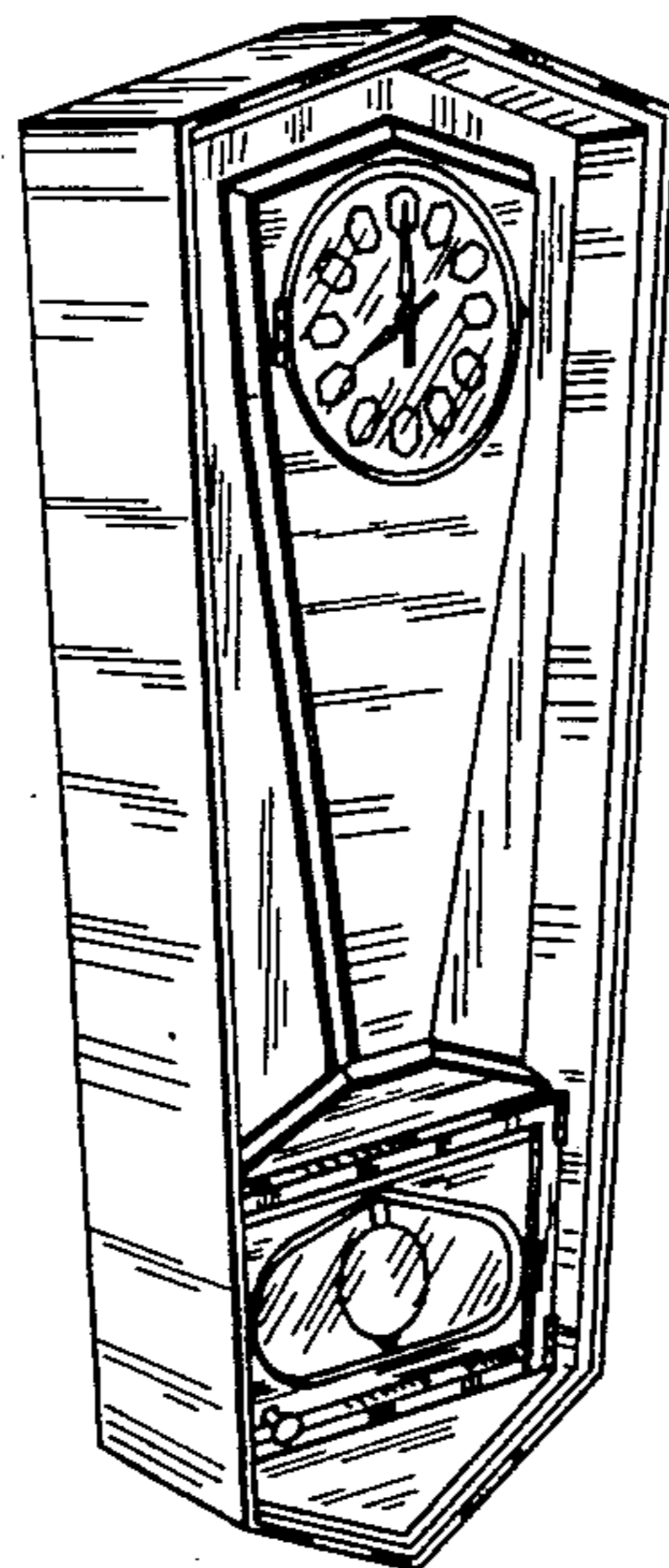




FIG. 1

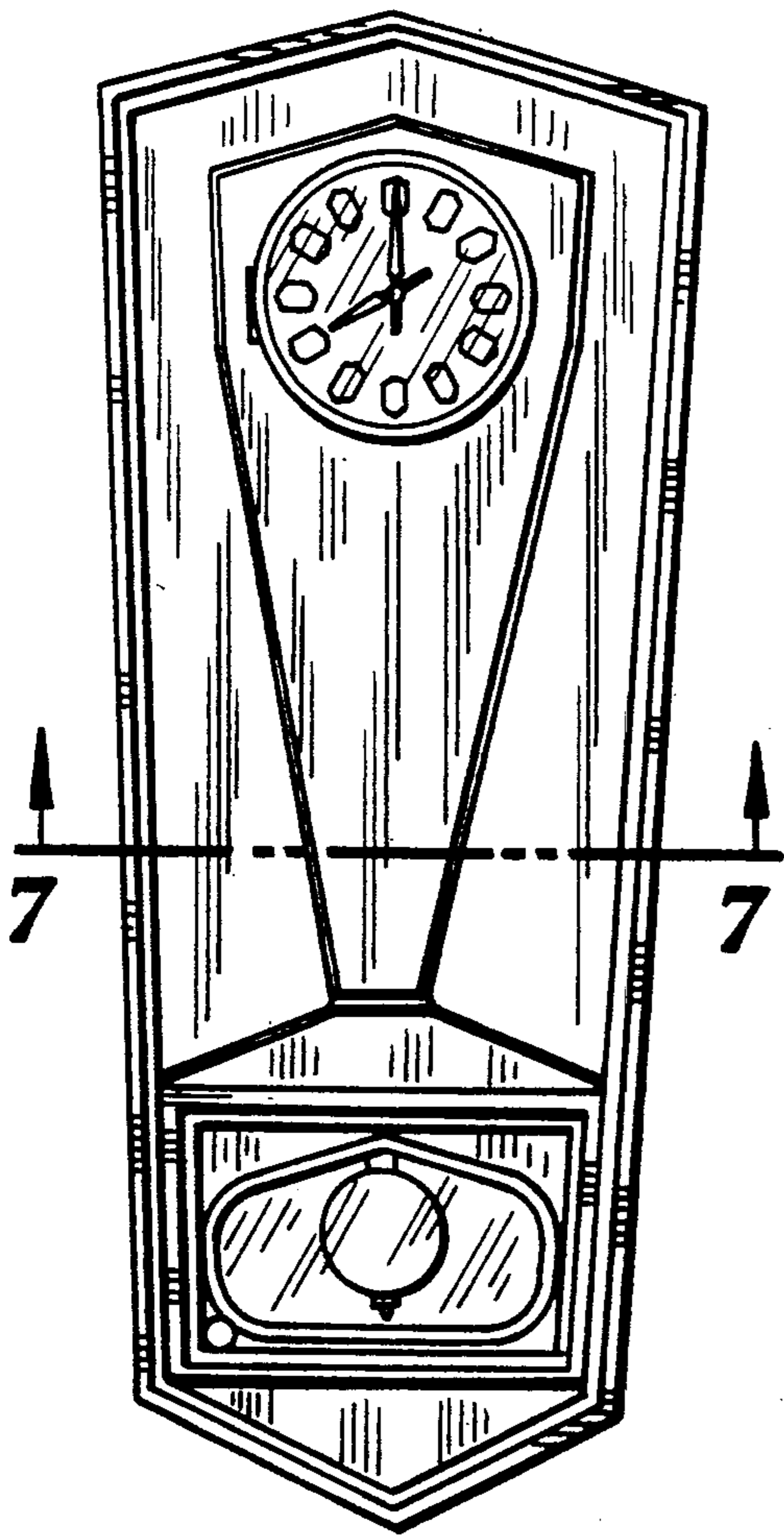


FIG. 2



FIG. 3

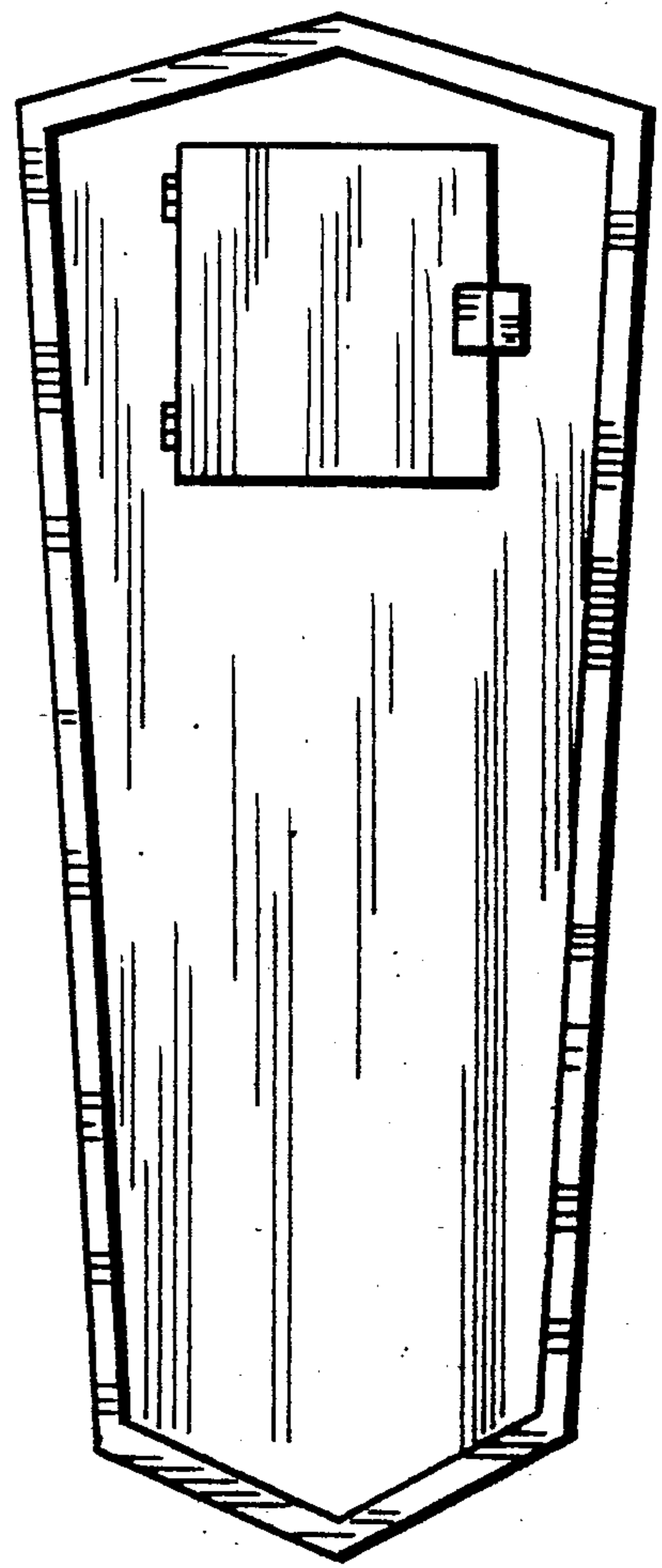


FIG. 4



FIG. 5



FIG. 6

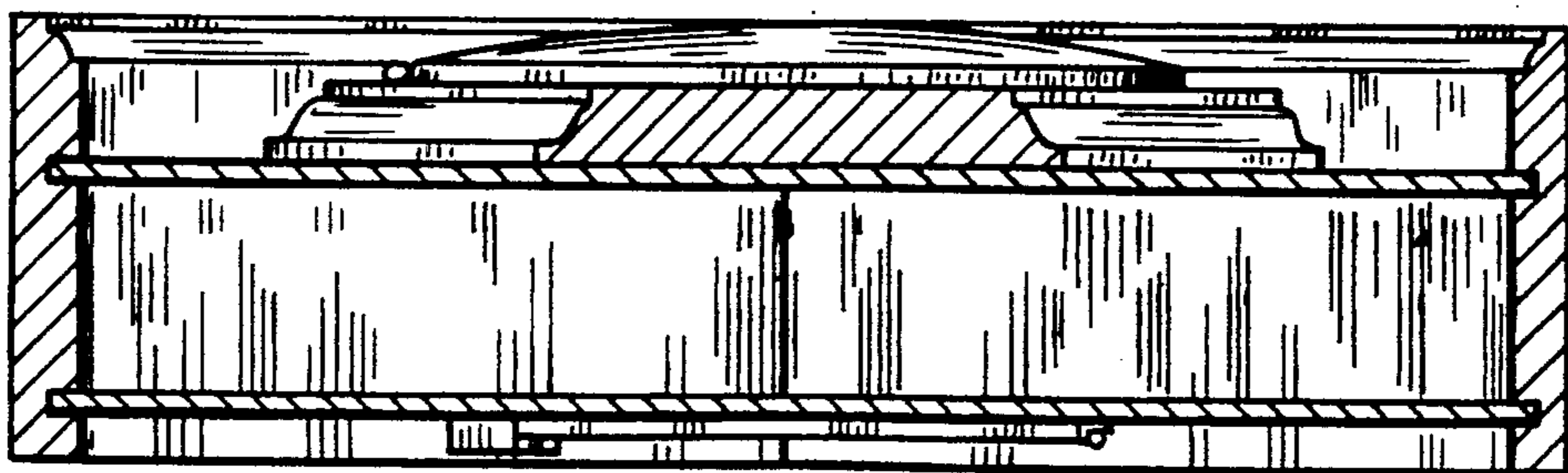


FIG. 7