

[54] **CARTON**
[75] Inventor: **Richard L. Schuster, Monroe, La.**
[73] Assignee: **Manville Service Corporation,**
Denver, Colo.
[**] Term: **14 Years**
[21] Appl. No.: **557,681**
[22] Filed: **Dec. 2, 1983**
[52] U.S. Cl. **D9/418**
[58] Field of Search **D9/432, 433, 418, 414;**
229/52 R, 52 B, 52 BC, 52 A; 206/428

D. 274,407 6/1984 Rosenberg D9/418
2,508,909 5/1950 Evans et al. 206/428
3,955,745 5/1976 Forrer 206/428

Primary Examiner—Charles A. Rademaker
Attorney, Agent, or Firm—John D. Lister; Cornelius P. Quinn

[57] **CLAIM**

The ornamental design for a carton, substantially as shown and described.

DESCRIPTION

FIG. 1 is a perspective view of the carton showing my new design, the opposite side and end being a mirror image and the bottom being a plain panel; and FIG. 2 is an end elevational view of the carton of FIG. 1.

[56] **References Cited**
U.S. PATENT DOCUMENTS
D. 252,258 7/1979 Roccaforte D9/418

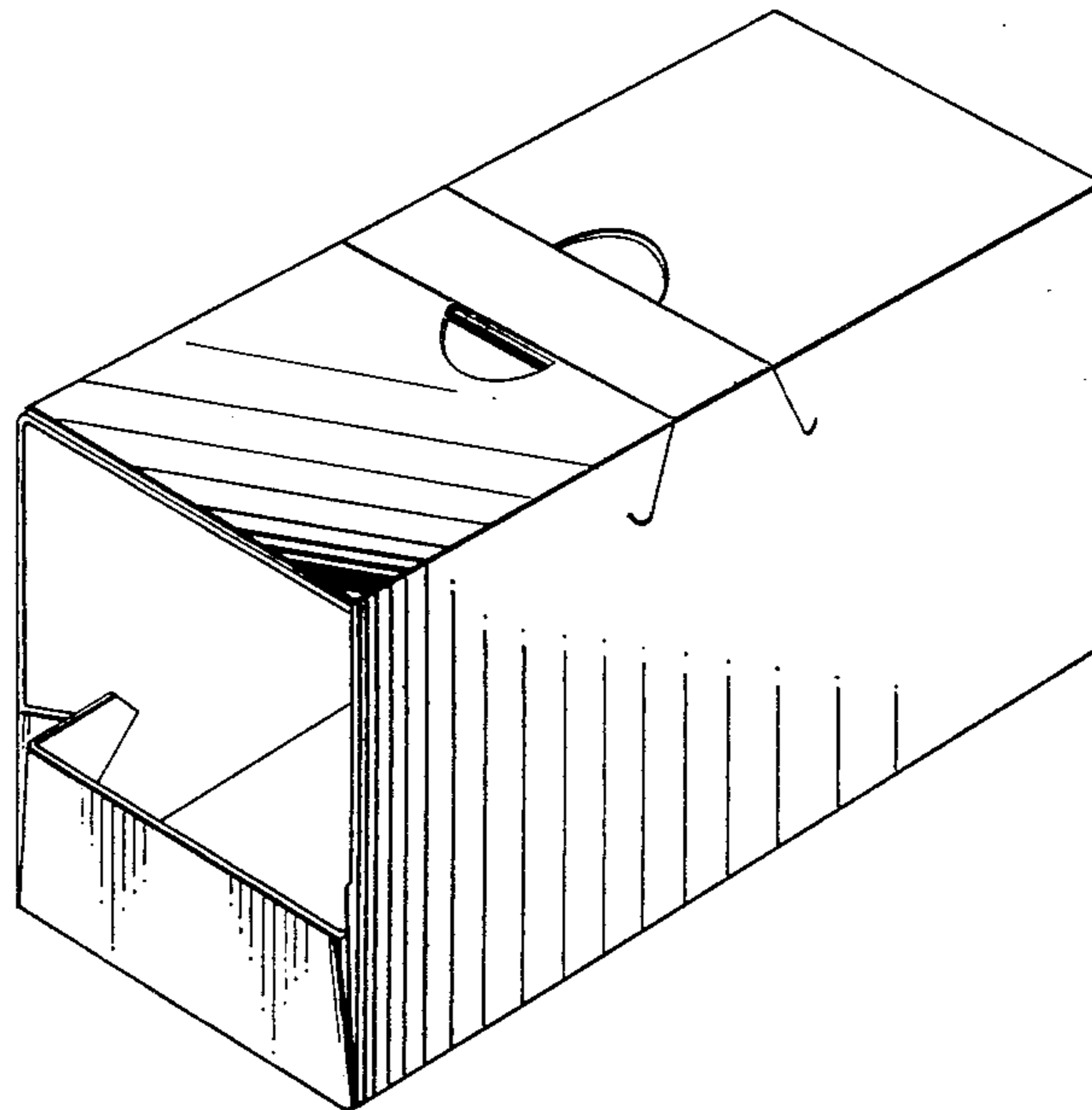


Fig. 1.

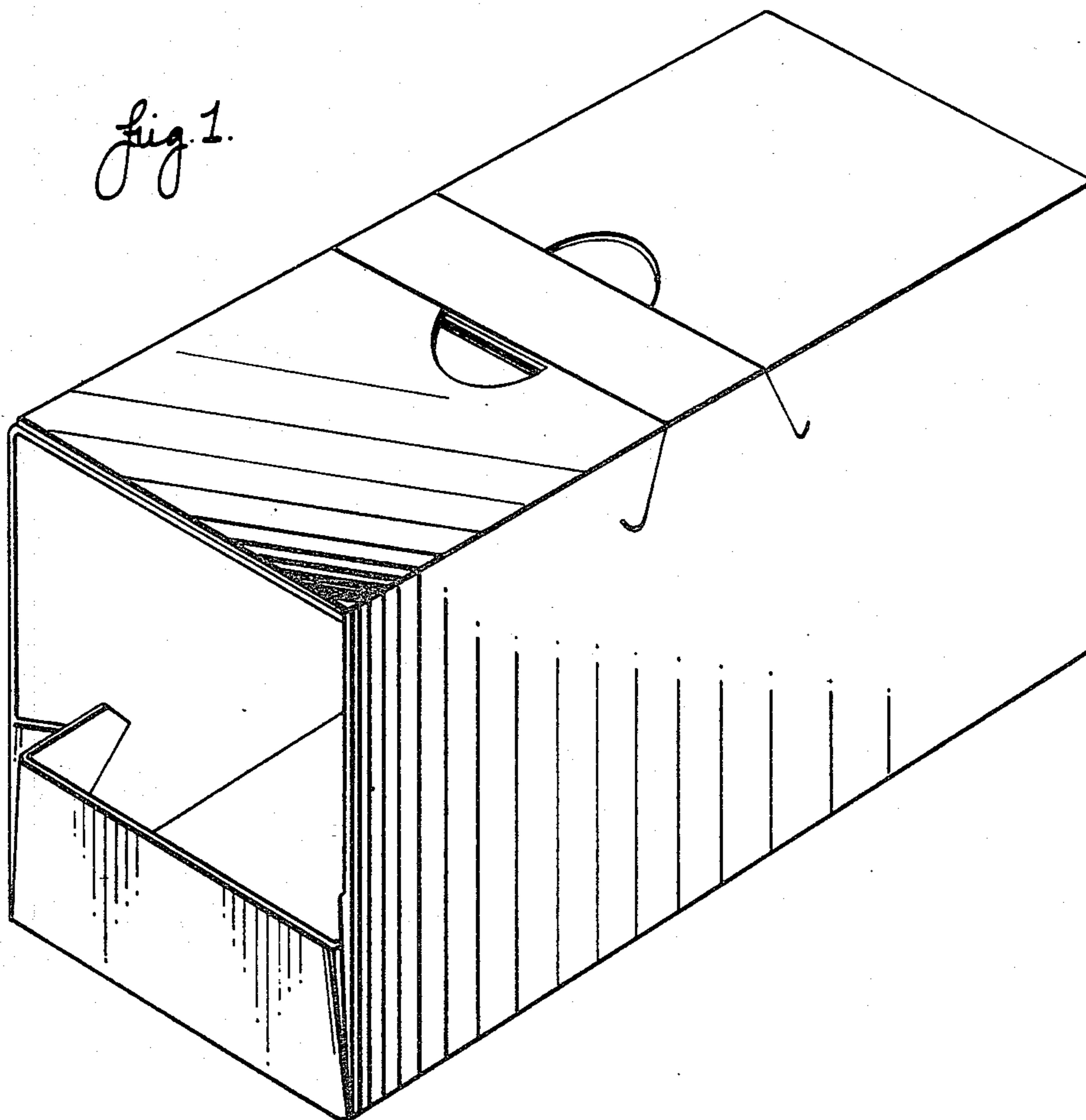


Fig. 2.

