

[54] TRAVERSE CURTAIN ROD

[75] Inventors: Terence A. Cox; Paul M. Johnson; Philip C. Horton, all of Tamworth, England

[73] Assignee: Swish Products Limited, Staffordshire, England

[\*\*] Term: 14 Years

[21] Appl. No.: 530,004

[22] Filed: Sep. 7, 1983

[30] Foreign Application Priority Data

Jun. 20, 1983 [GB] United Kingdom ..... 1013660

[52] U.S. Cl. .... D8/377

[58] Field of Search ..... D8/376, 377; 16/93 D, 16/94 D, 87 R, 95 D, 96 D; 160/345

[56] References Cited

U.S. PATENT DOCUMENTS

3,151,666	10/1964	Ford	16/96 D
3,344,463	10/1967	Zhamirowski	16/94 D
3,345,678	10/1967	Graber et al.	16/94 D
3,470,578	10/1969	Graber et al.	16/94 D
3,946,791	3/1976	Brown	160/345

FOREIGN PATENT DOCUMENTS

1000616	6/1983	United Kingdom .
1000617	6/1983	United Kingdom .

OTHER PUBLICATIONS

Sears, F/W 1981; p. 1542, Traverse Rod E.

Primary Examiner—B. J. Bullock

Attorney, Agent, or Firm—Kenway & Jenney

[57] CLAIM

The ornamental design for a traverse curtain rod, as shown.

DESCRIPTION

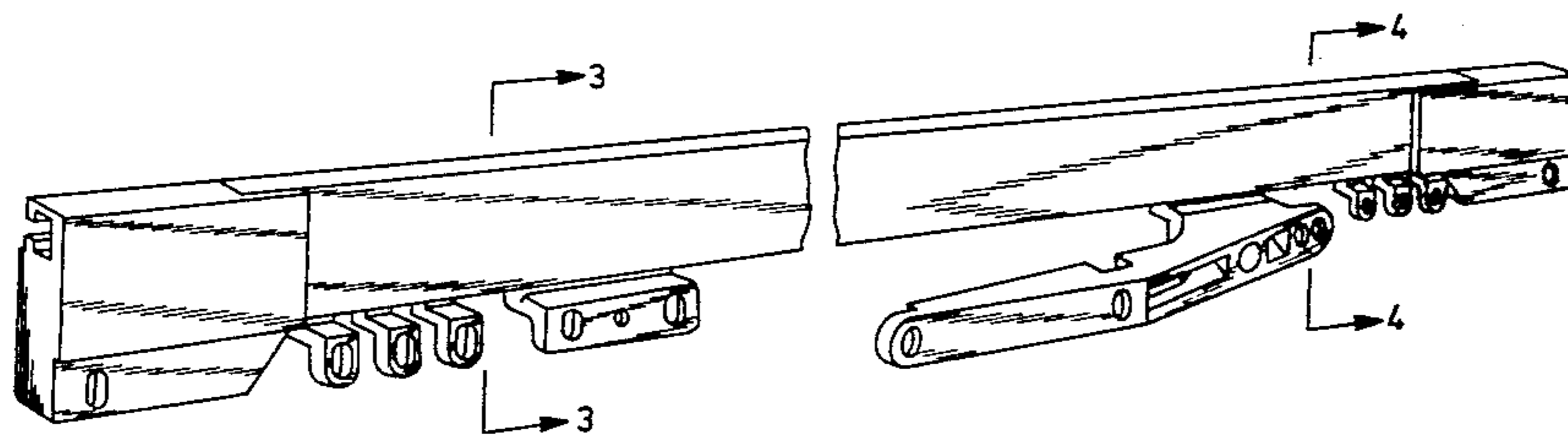
FIG. 1 is a perspective view of a traverse curtain rod showing our new design, shown broken away to indicate indeterminate length;

FIG. 2 is a fragmentary rear elevational view of the right side of FIG. 1;

FIG. 3 is a sectional view taken in the direction of the arrows on line 3—3 of FIG. 1;

FIG. 4 is a sectional view taken in the direction of the arrows on line 4—4 of FIG. 1;

FIG. 5 is a fragmentary rear elevational view of the left of FIG. 1.



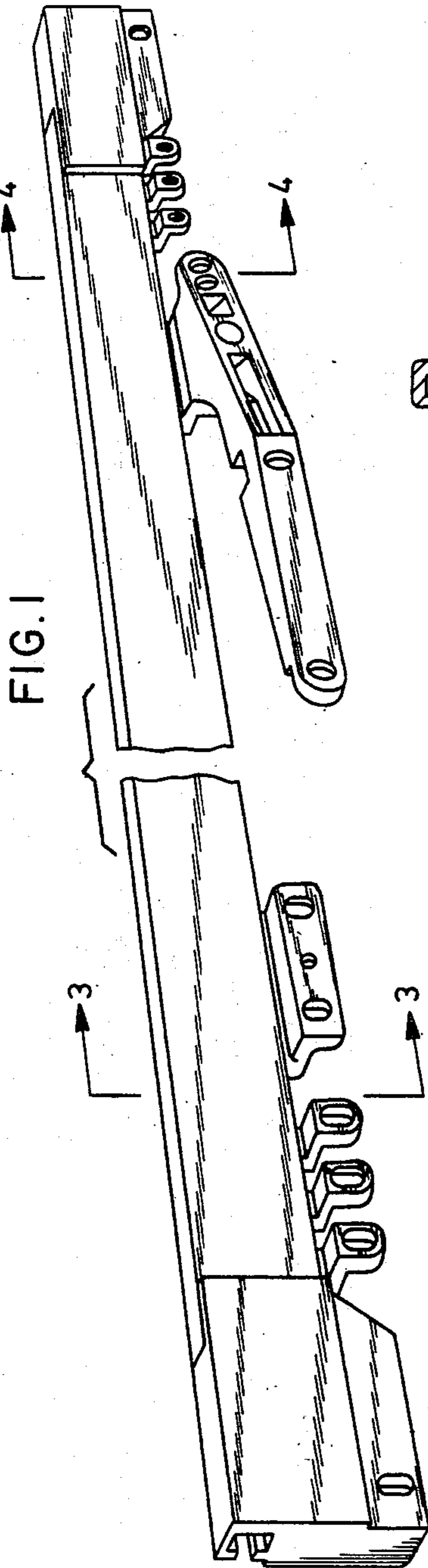


FIG. 3



FIG. 4

FIG. 2

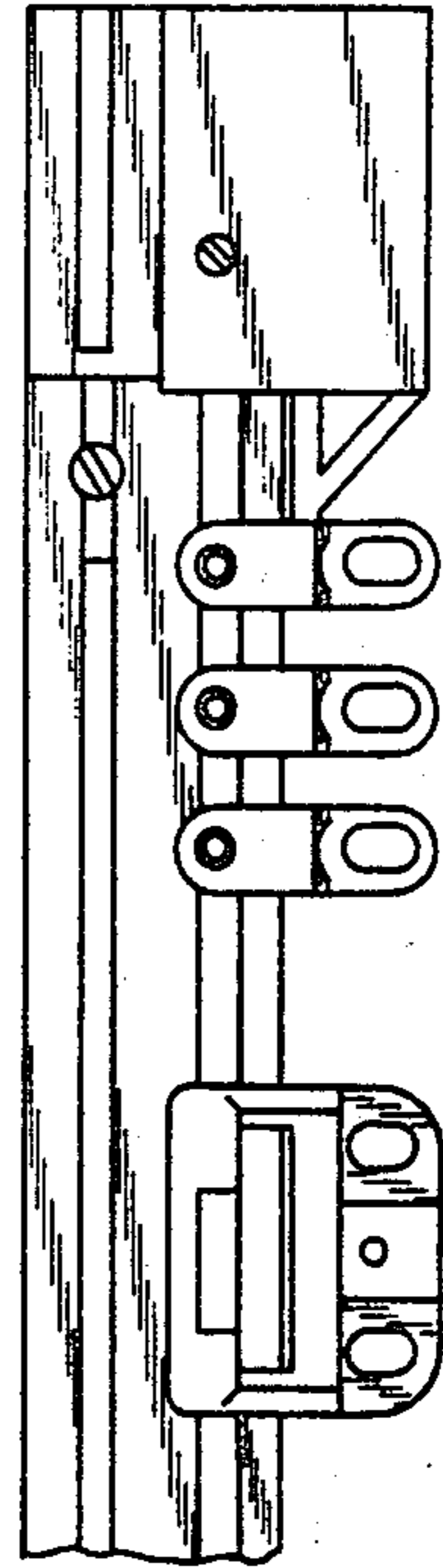
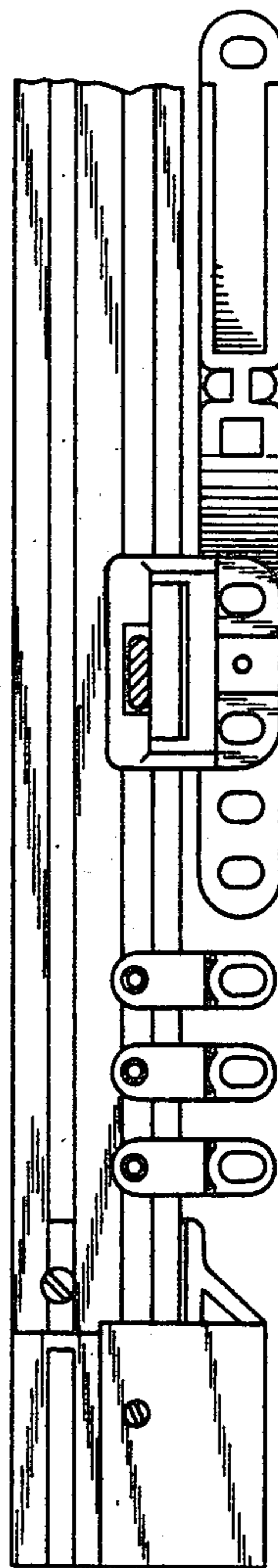


FIG. 5