

United States Patent [19]

Cowdery et al.

[11] Patent Number: Des. 283,782

[45] Date of Patent: ** May 13, 1986

[54] **CLAMP FOR JEWELRY FINDING**

[75] Inventors: **Gary D. Cowdery**, Lincoln City;
Thomas J. Owczarzak, Gleneden Beach, both of Oreg.

[73] Assignee: **A-Dec Diversified, Inc.**, Newberg, Oreg.

[**] Term: **14 Years**

[21] Appl. No.: **533,137**

[22] Filed: **Sep. 15, 1983**

[52] U.S. Cl. **D8/74; D8/71**

[58] Field of Search **D8/71, 72, 73, 74; 63/26; 29/10; 269/3; 81/4, 6, 7, 8**

[56] **References Cited**

U.S. PATENT DOCUMENTS

D. 259,327 5/1981 Sloane D8/74
2,157,789 5/1939 Hudgens et al. 29/10

2,569,424 9/1951 Gayhew et al. D8/74
3,727,905 4/1973 Haven 29/10
4,171,800 10/1979 Weaver 81/4
4,327,608 5/1982 Keys 269/3

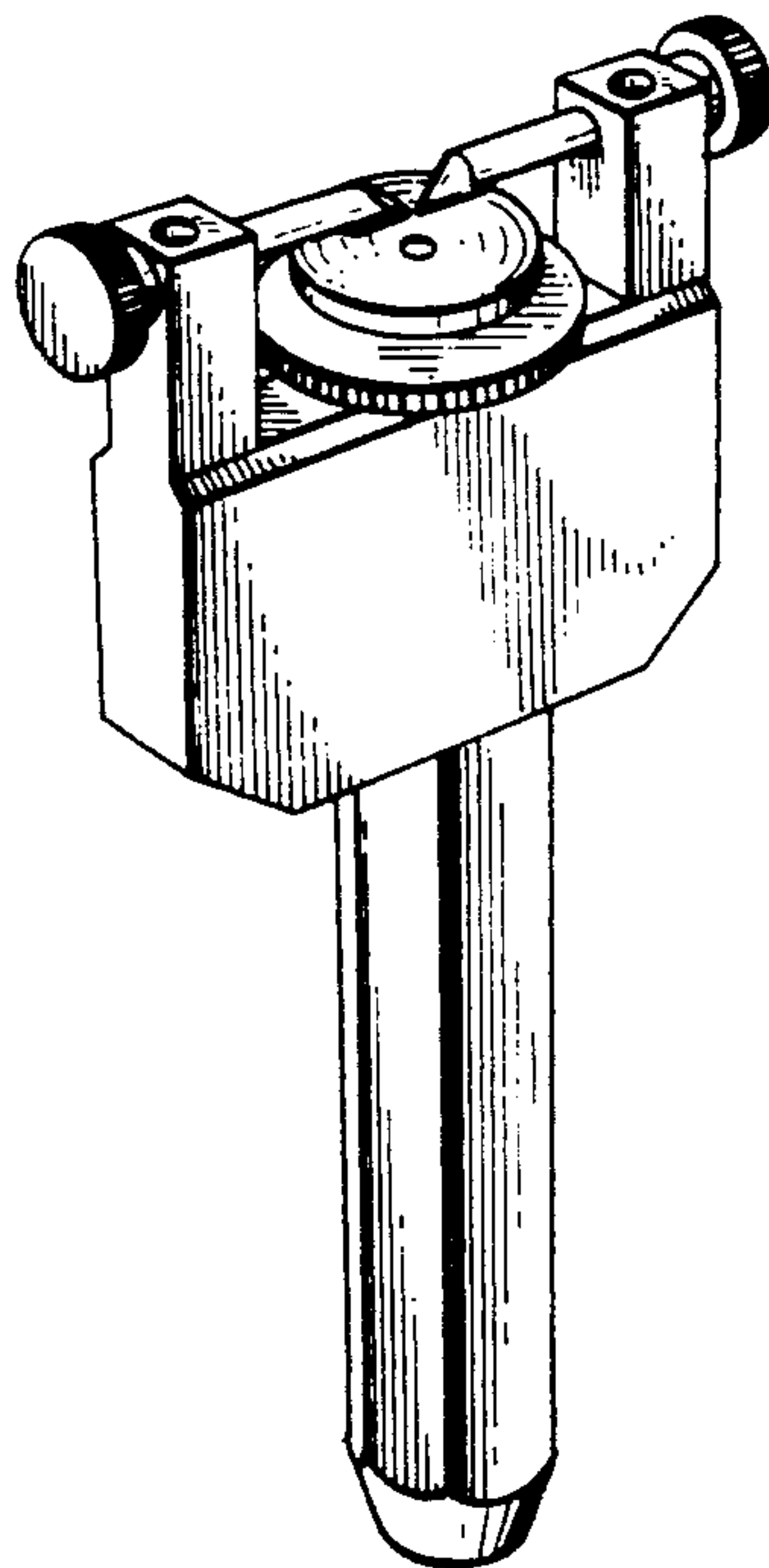
Primary Examiner—B. J. Bullock
Assistant Examiner—Suzanne N. Gitlin
Attorney, Agent, or Firm—Klarquist, Sparkman, Campbell, Leigh & Whinston

[57] **CLAIM**

The ornamental design for a clamp for jewelry finding, as shown.

DESCRIPTION

FIG. 1 is a reduced perspective view of a clamp for jewelry finding showing our new design; FIG. 2 is a front elevational view thereof; FIG. 3 is a side elevational view thereof; FIG. 4 is a top plan view thereof; FIG. 5 is a bottom plan view thereof.



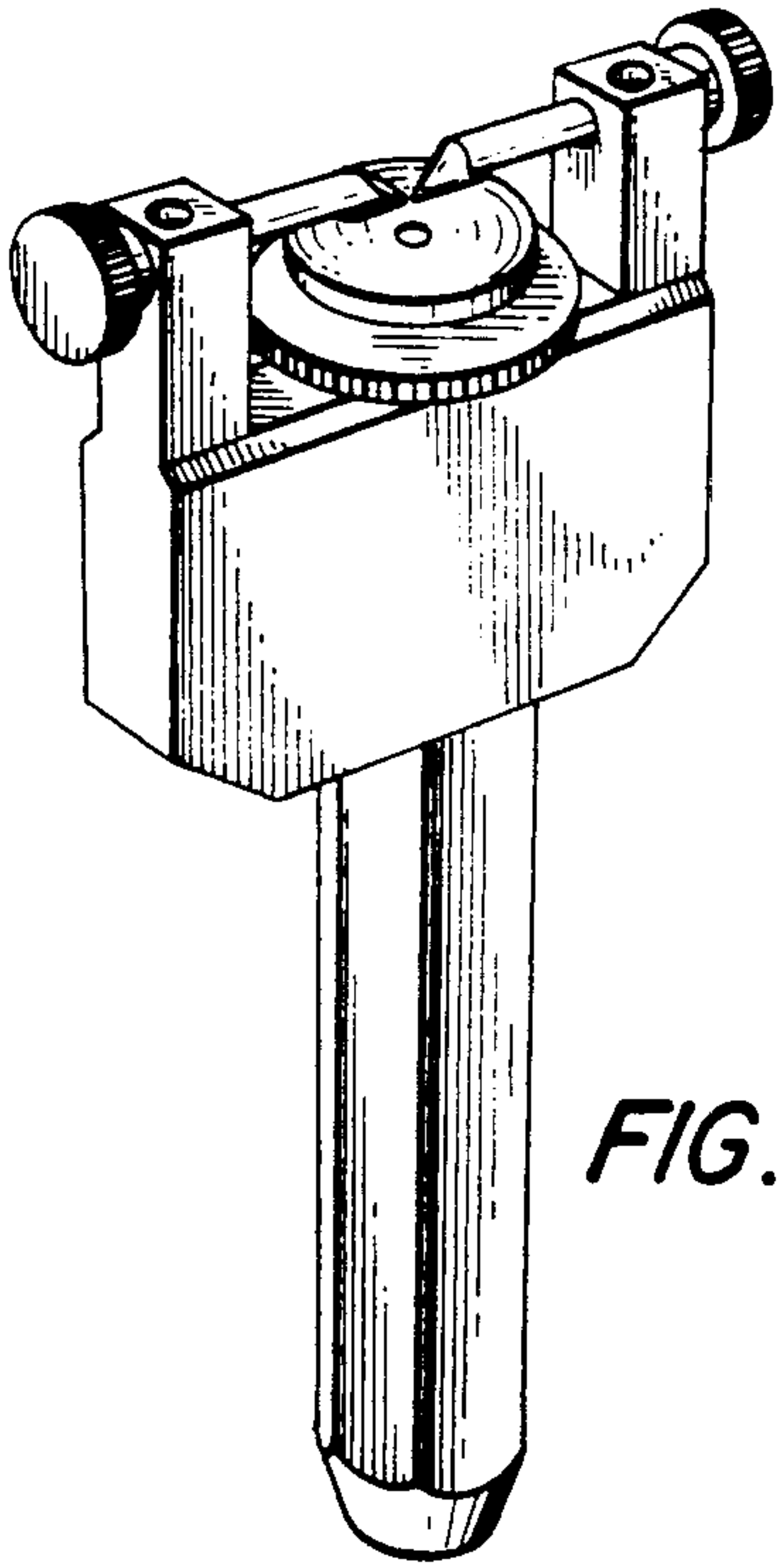


FIG. 1

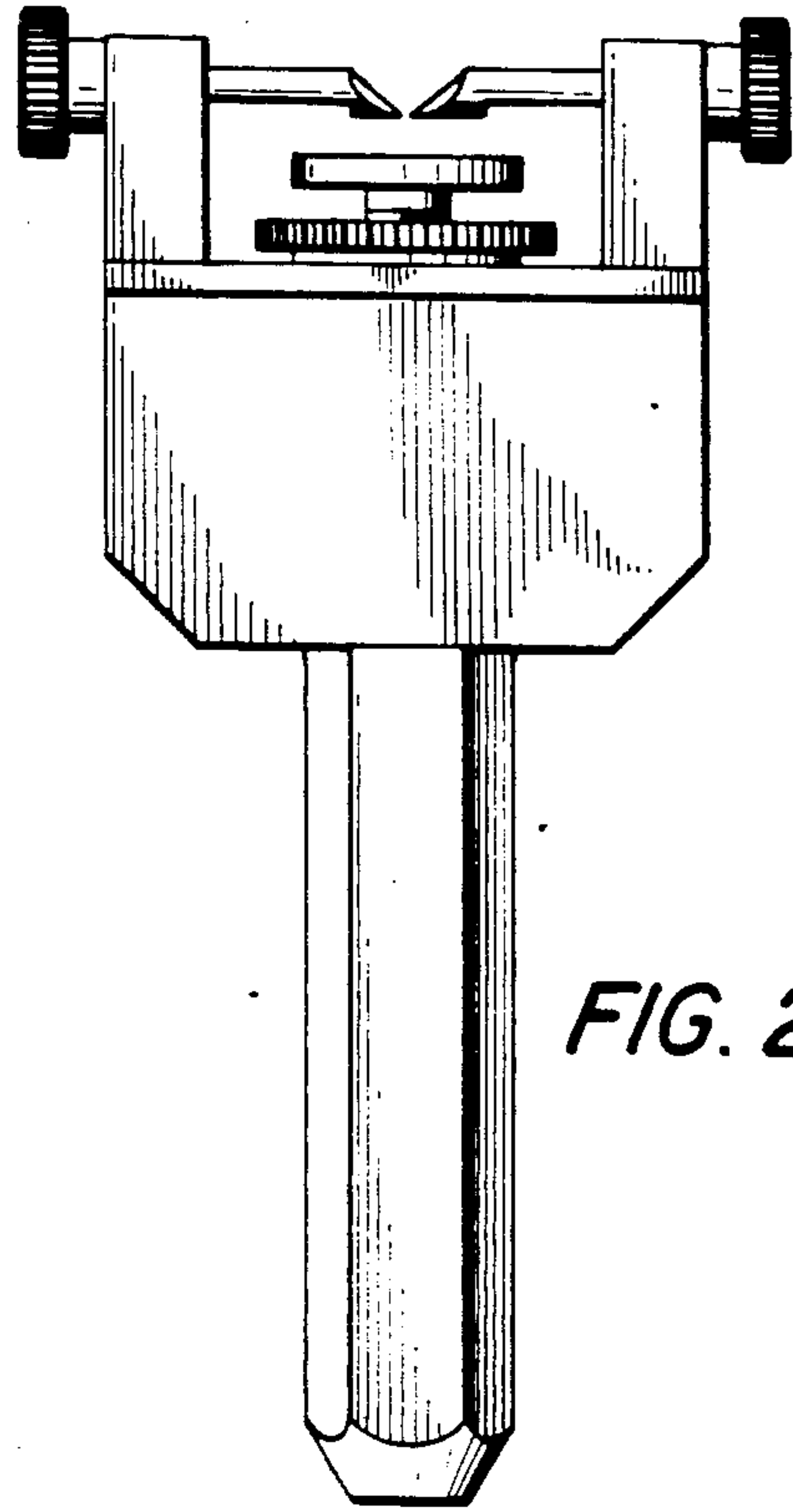


FIG. 2

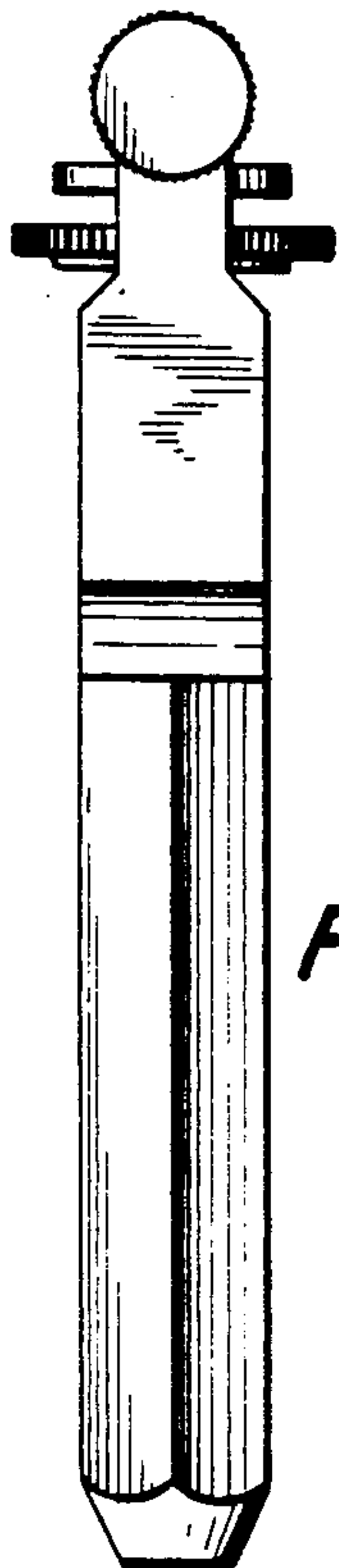


FIG. 3

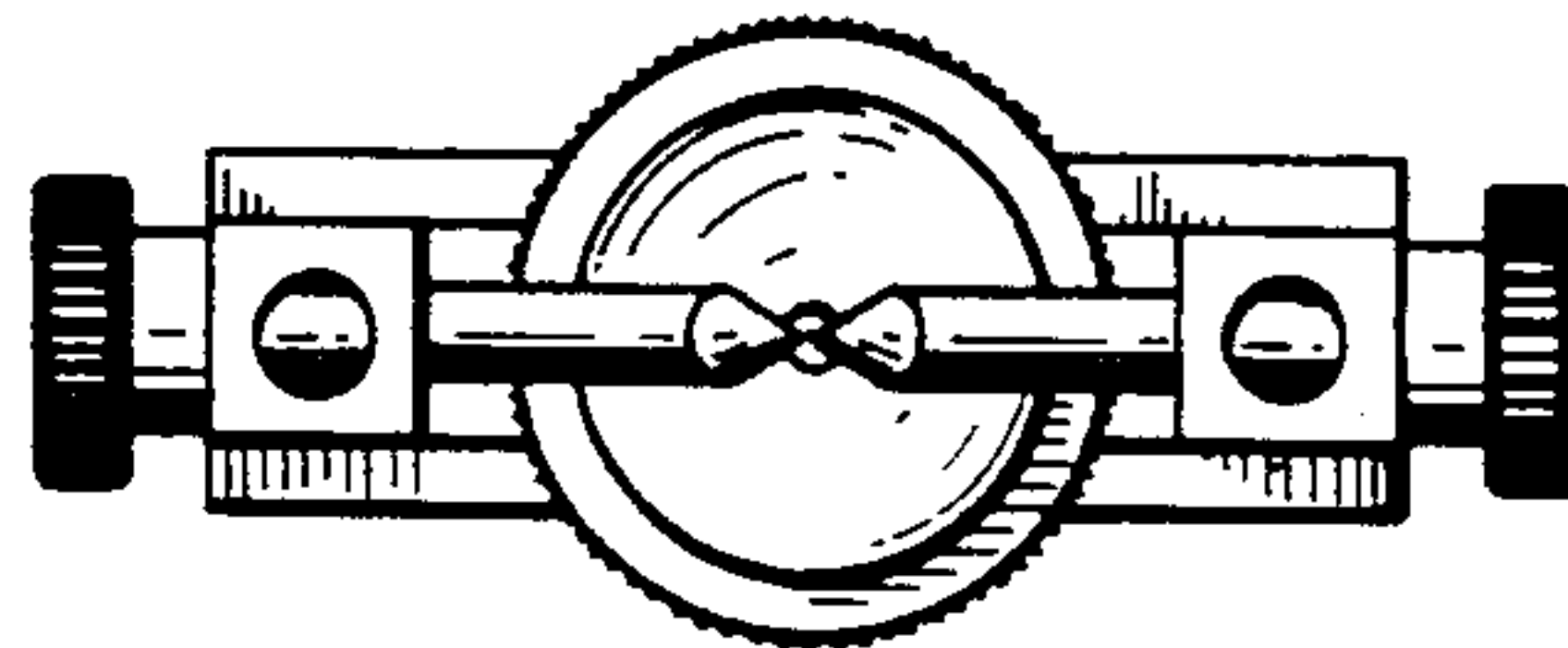


FIG. 4

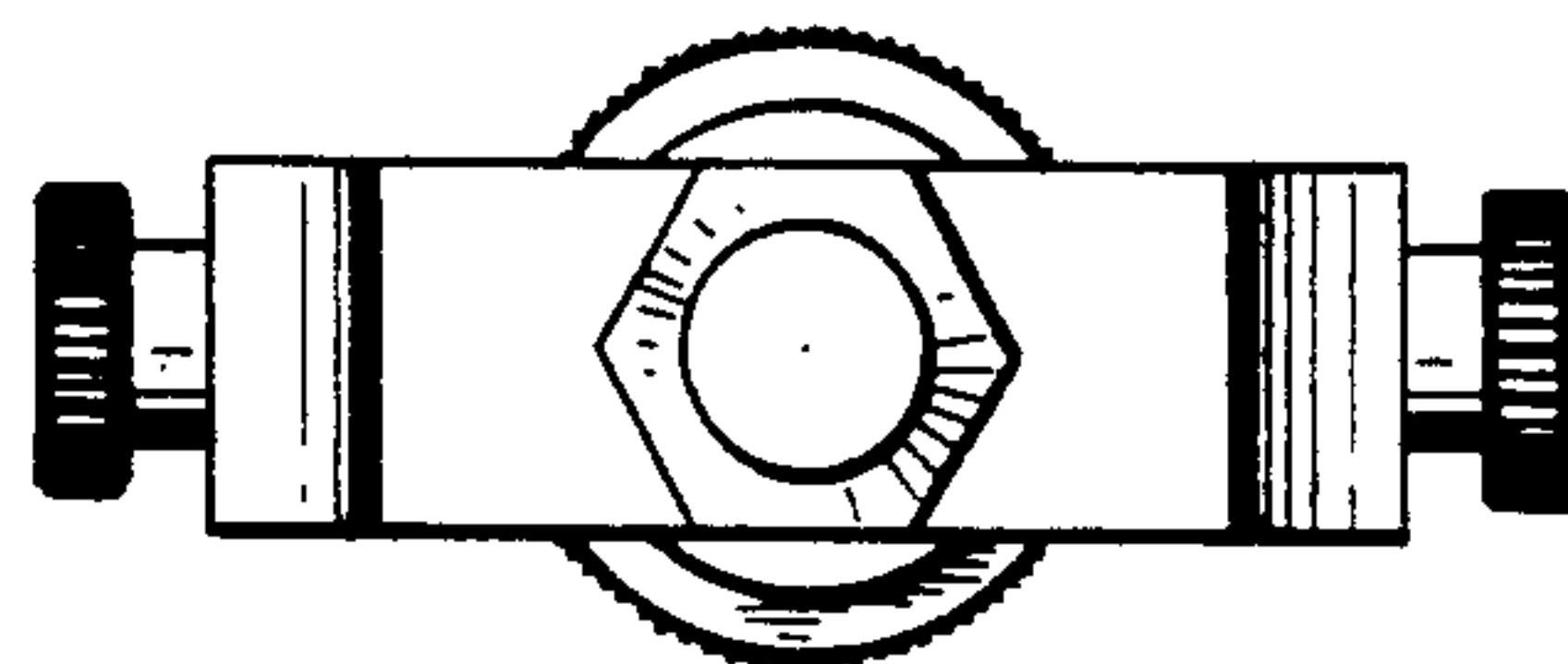


FIG. 5