

[54] RAISED CUTTING BOARD

[75] Inventor: Andre R. Morin, Dollard des Ormeaux, Canada

[73] Assignee: Namaar Enterprises Inc., Bolton, Canada

[**] Term: 14 Years

[21] Appl. No.: 498,123

[22] Filed: May 25, 1983

[52] U.S. Cl. D7/46

[58] Field of Search D7/46, 43; 269/313, 269/314, 302.1, 289 R, 15, 14, 13; 83/607; D6/484, 406, 495

[56] References Cited

U.S. PATENT DOCUMENTS

D. 140,595	3/1945	Browne et al.	D7/46
D. 159,881	8/1950	Zekowski	D7/46
441,527	11/1890	Willson	269/15
3,598,164	8/1971	August	269/15

FOREIGN PATENT DOCUMENTS

686346 1/1953 United Kingdom D7/46 X

OTHER PUBLICATIONS

W. Bell & Company, 1981 Catalog, p. 287, Item J, center panel, top right, Chopping Block/Concealed Catch-All Tray.

Gifts & Decorative Accessories, Jul. 1973, p. 103, Oneida Adv., Chopping Block with Legs-lower right.

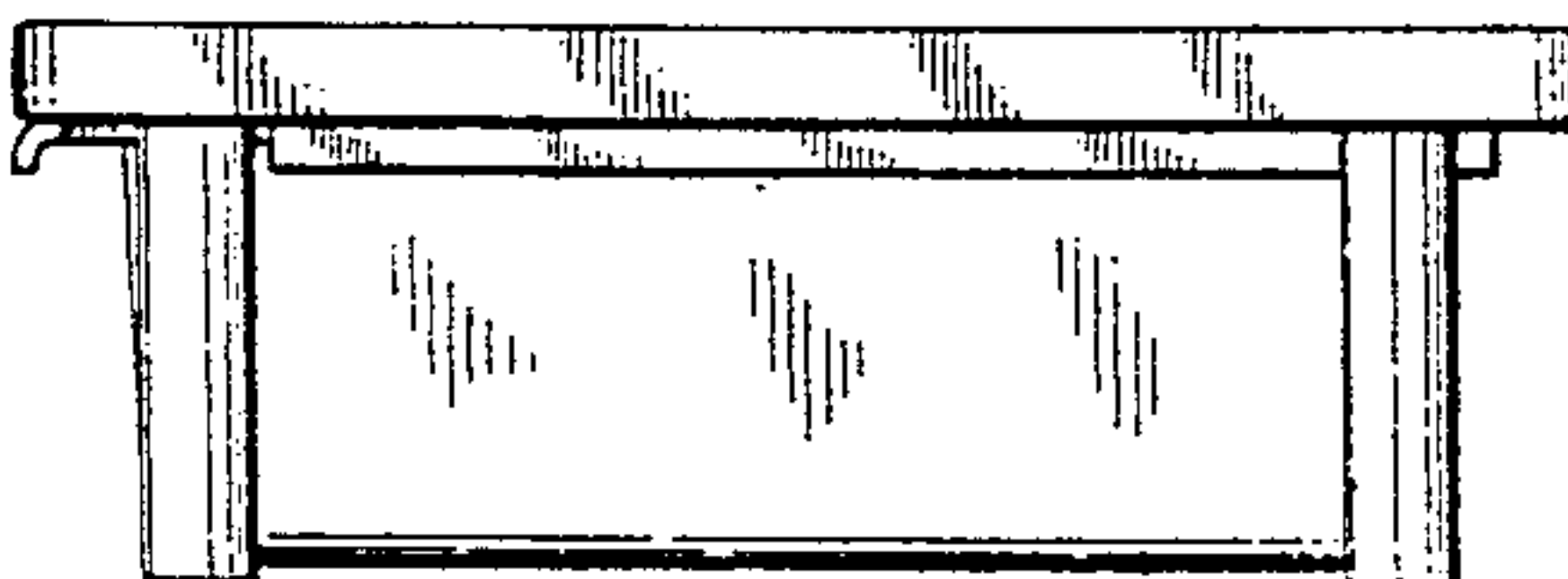
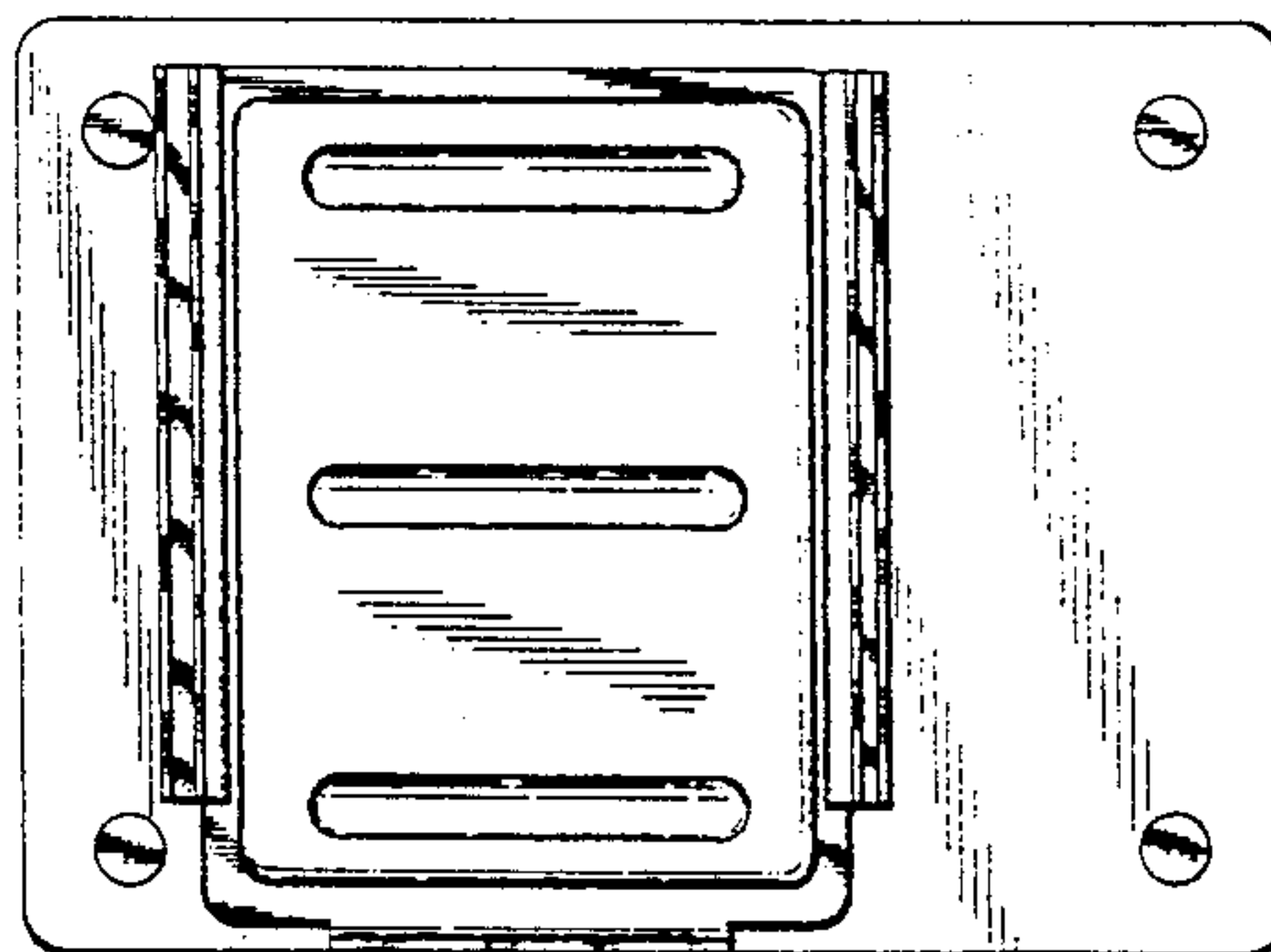
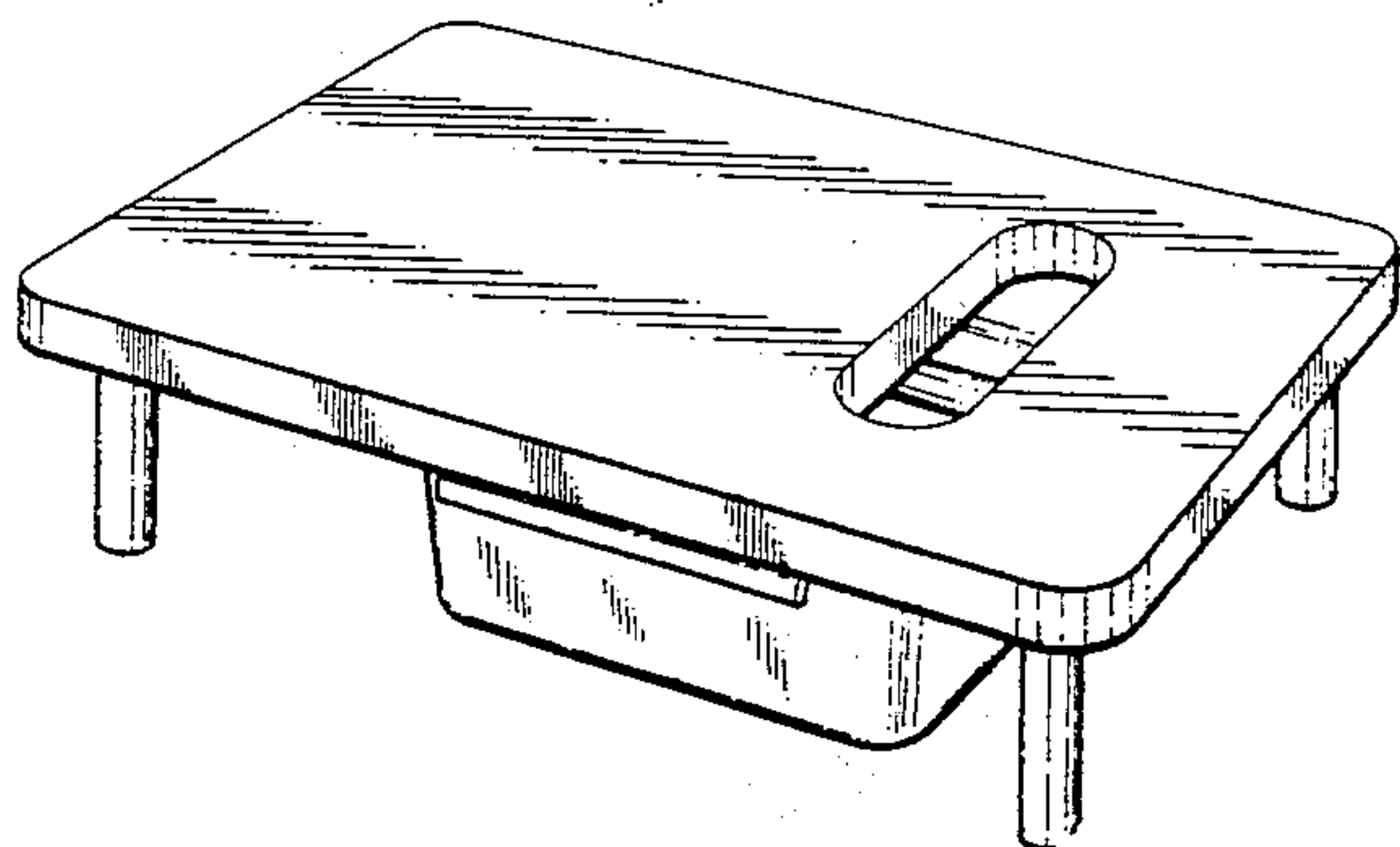
Primary Examiner—Winifred E. Herrmann
Attorney, Agent, or Firm—Sim & McBurney

[57] CLAIM

The ornamental design for a raised cutting board, as shown and described.

DESCRIPTION

FIG. 1 is a top front perspective view of a raised cutting board showing my new design;
FIG. 2 is a top plan view thereof;
FIG. 3 is a bottom plan view thereof;
FIG. 4 is a rear elevational view thereof;
FIG. 5 is a front elevational view thereof; and
FIG. 6 is a right side elevational view thereof, the left side elevational view is a mirror image thereof.



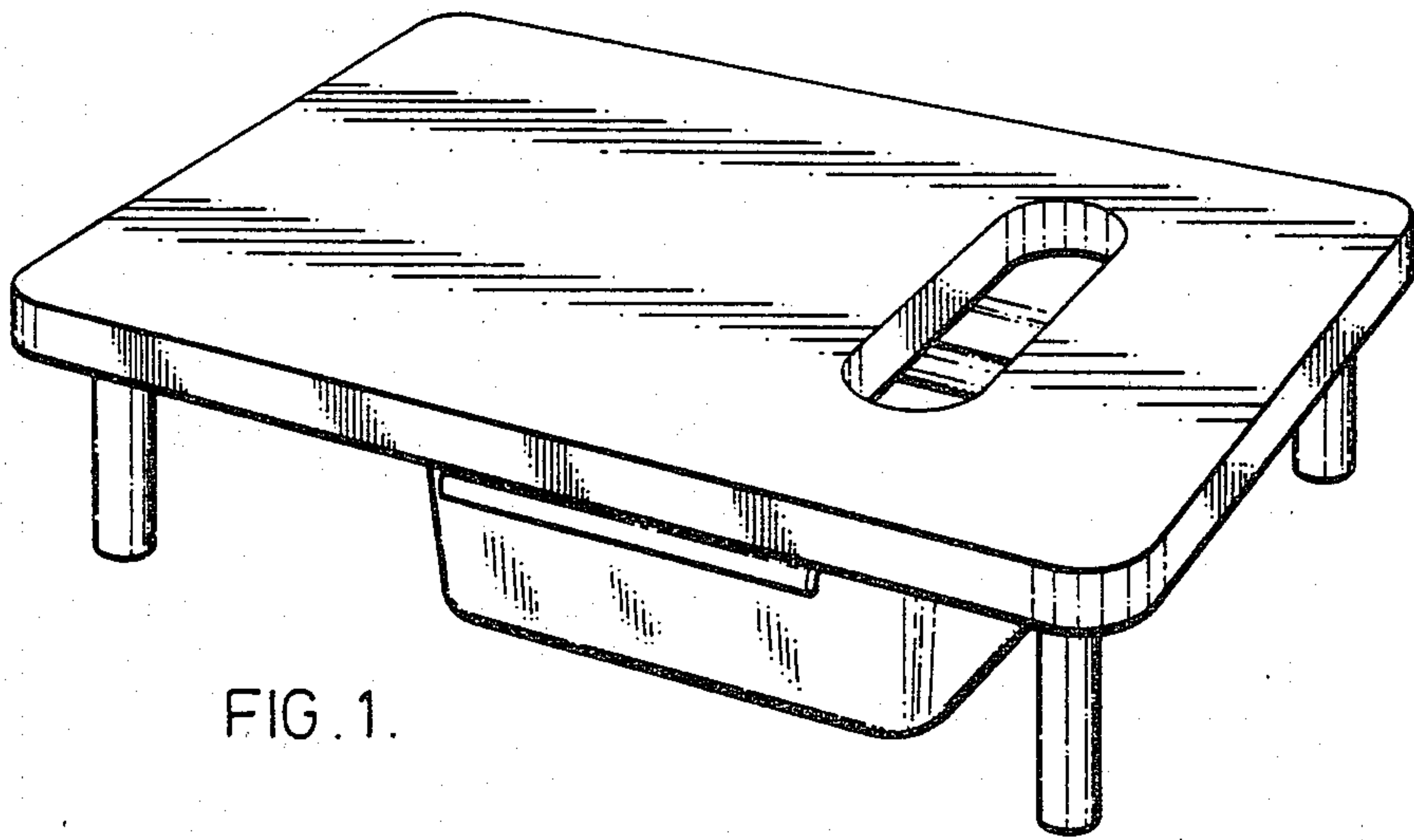
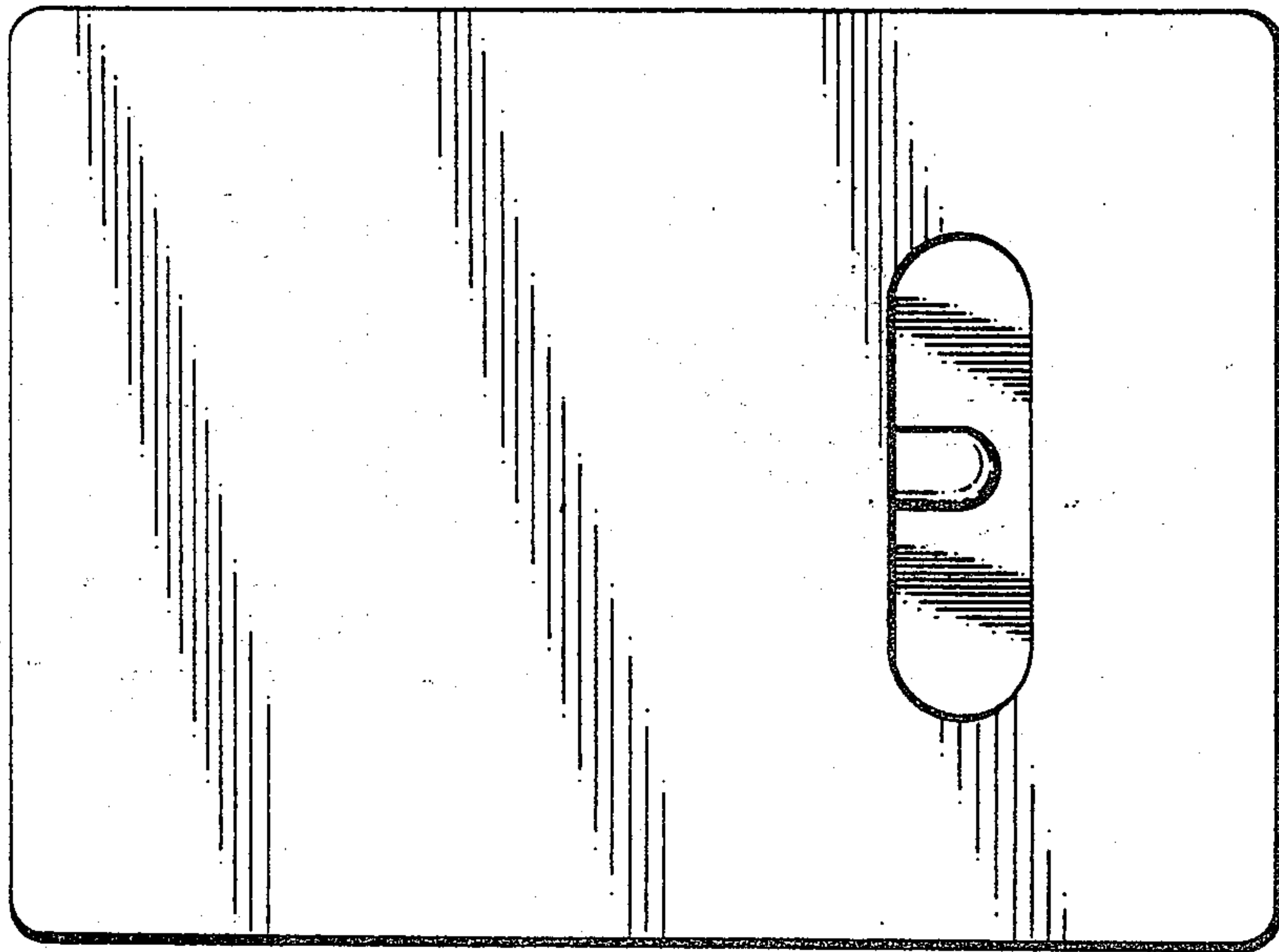


FIG. 1.

FIG. 2.



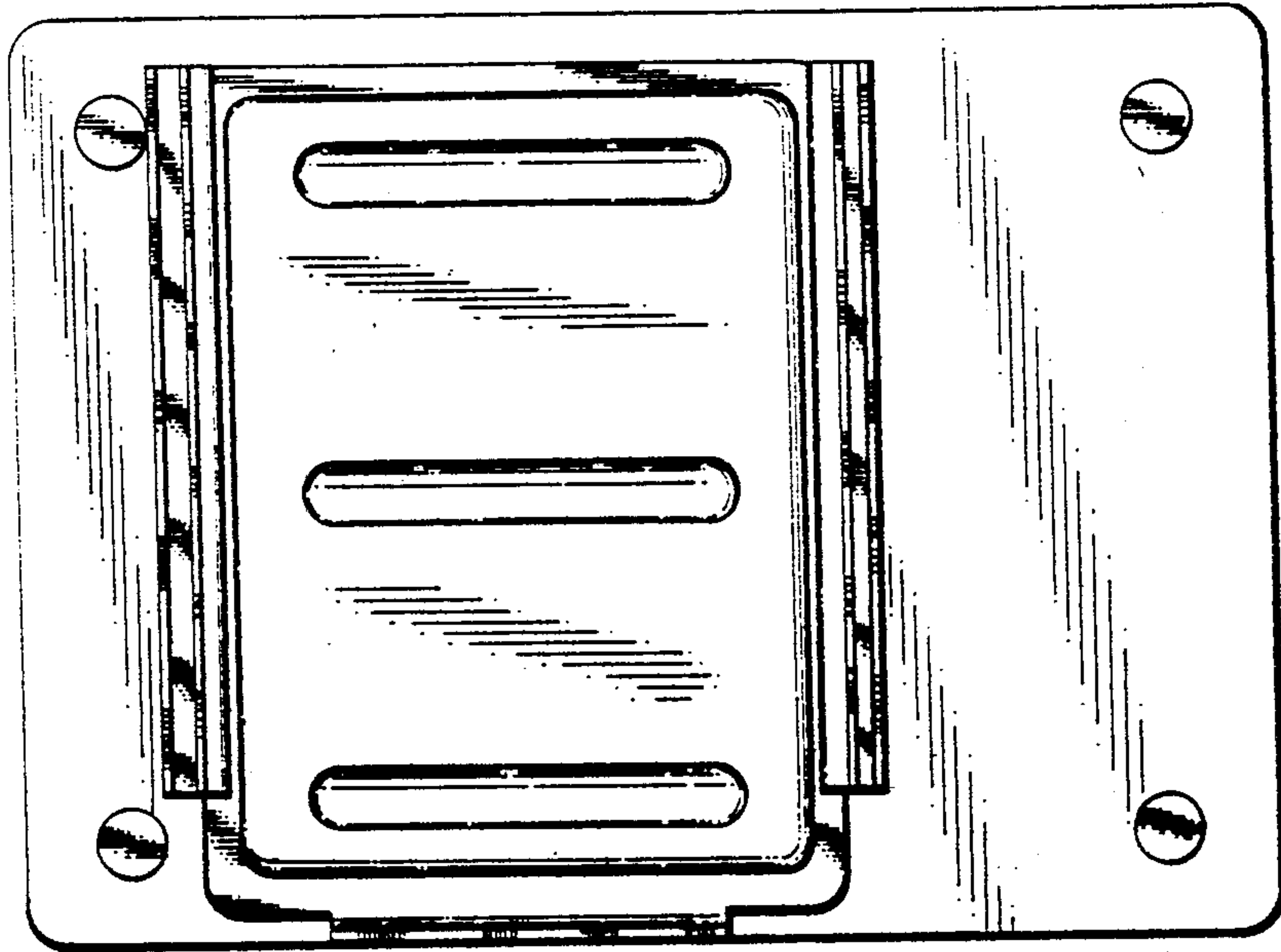


FIG. 3.

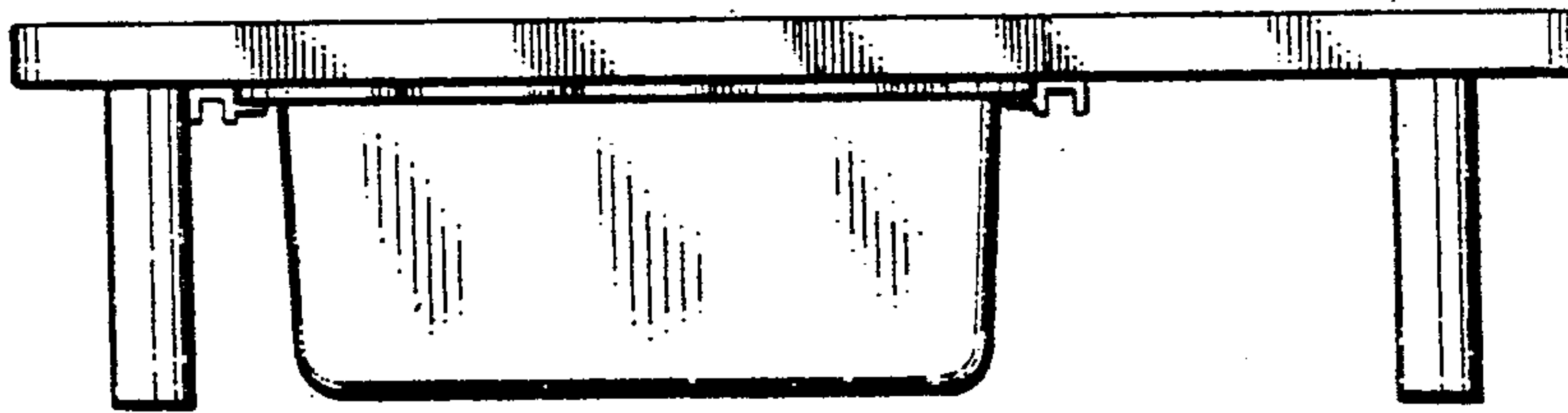


FIG. 4.

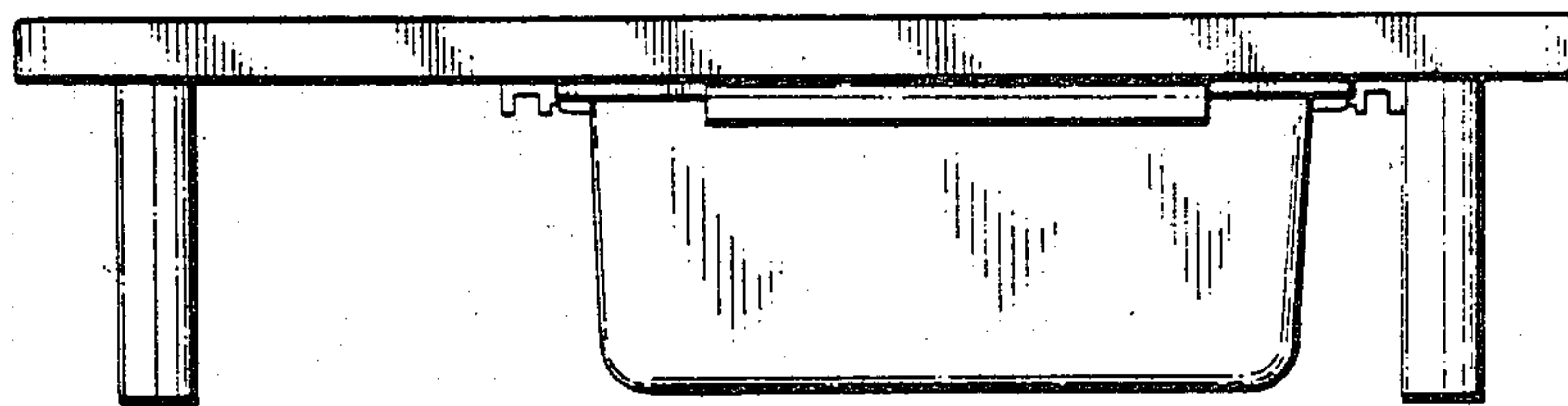


FIG. 5.

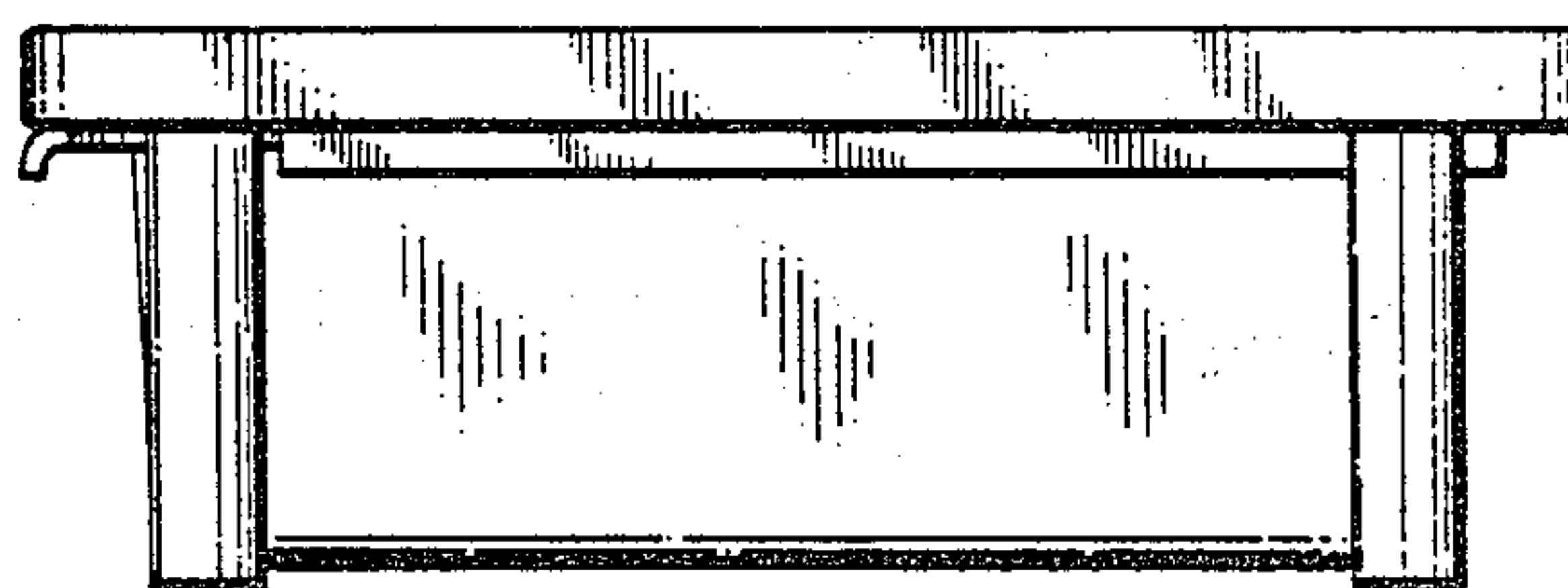


FIG. 6.