

United States Patent [19]

Bratcher

[11] Patent Number: **Des. 283,774**

[45] Date of Patent: **** May 13, 1986**

[54] **TRAY ATTACHMENT**

[76] Inventor: **Freda L. Bratcher**, 734 Pine St.,
Westville Grove, N.J. 08093

[**] Term: **14 Years**

[21] Appl. No.: **528,978**

[22] Filed: **Sep. 2, 1983**

[52] U.S. Cl. **D7/39; D7/38**

[58] Field of Search **220/23.83, 23.8; D7/1,
D7/37, 38, 39**

3,542,209 11/1970 Thompson D7/39 X
3,656,193 4/1972 Alterberg et al. D7/38 X
4,413,745 11/1983 Stroud 220/23.83 X

Primary Examiner—Winifred E. Herrmann
Attorney, Agent, or Firm—Steele, Gould & Fried

[57] **CLAIM**

The ornamental design for a tray attachment, as shown and described.

DESCRIPTION

FIG. 1 is a perspective view of a tray attachment showing my new design;

FIG. 2 is a top plan view thereof.

FIG. 3 is a front elevational view thereof.

FIG. 4 is a rear elevational view thereof.

FIG. 5 is a left side elevational view thereof.

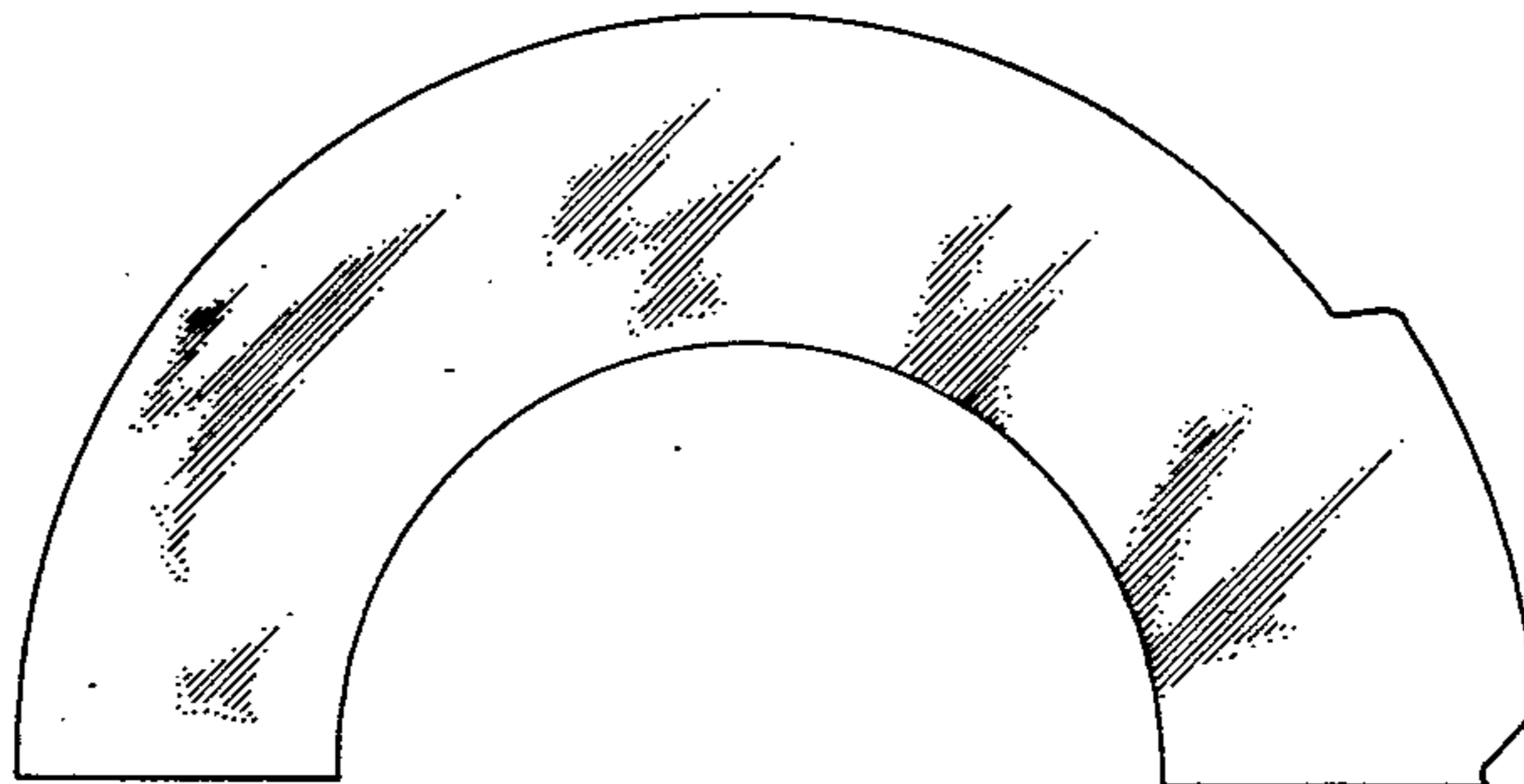
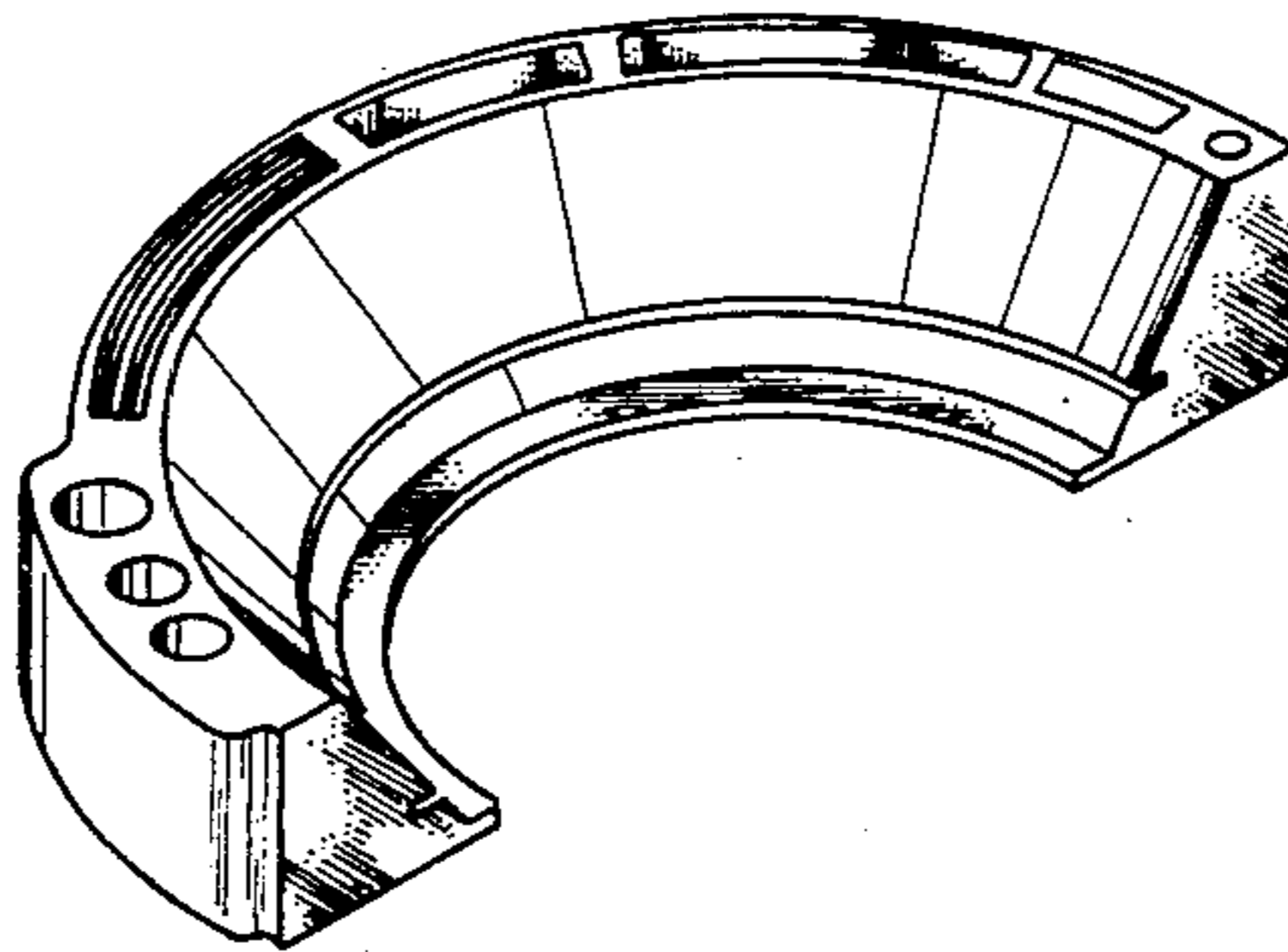
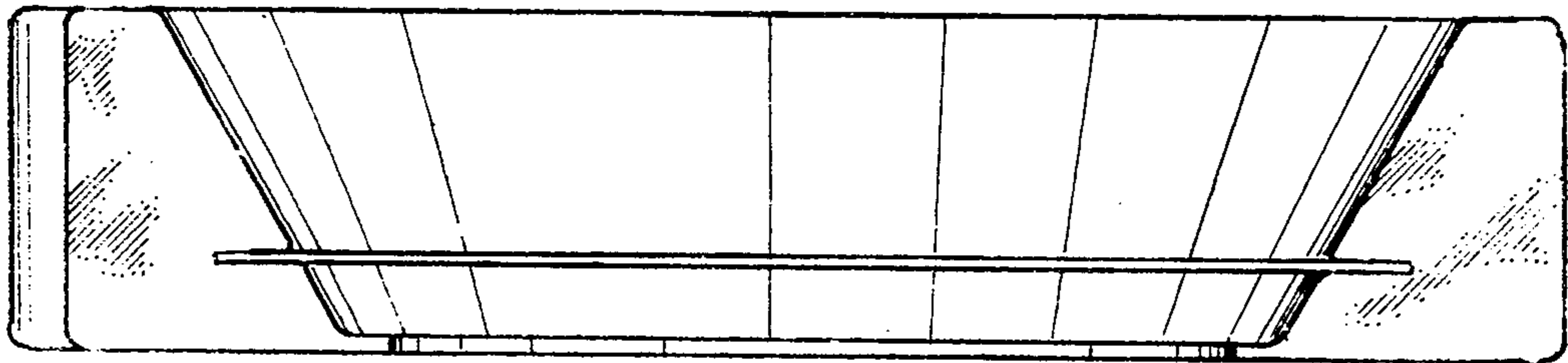
FIG. 6 is a bottom plan view thereof.

FIG. 7 is a right side elevational view thereof.

[56] **References Cited**

U.S. PATENT DOCUMENTS

D. 148,374 1/1948 Malco D7/38
D. 207,111 3/1967 Bergeron D7/1
D. 230,810 3/1974 Ryan, Jr. D7/38 X
381,795 4/1888 Kimball 220/23.8



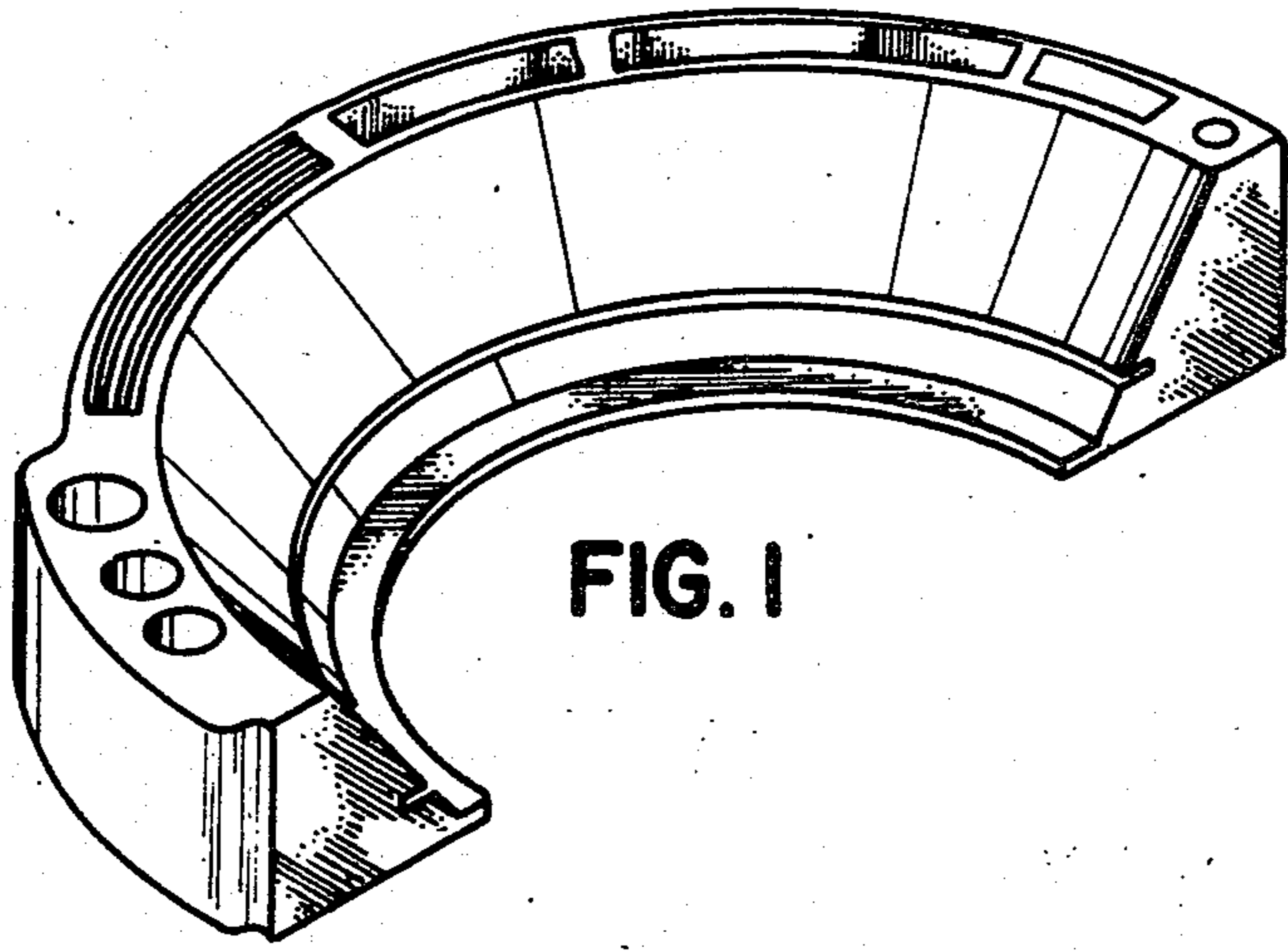


FIG. 1

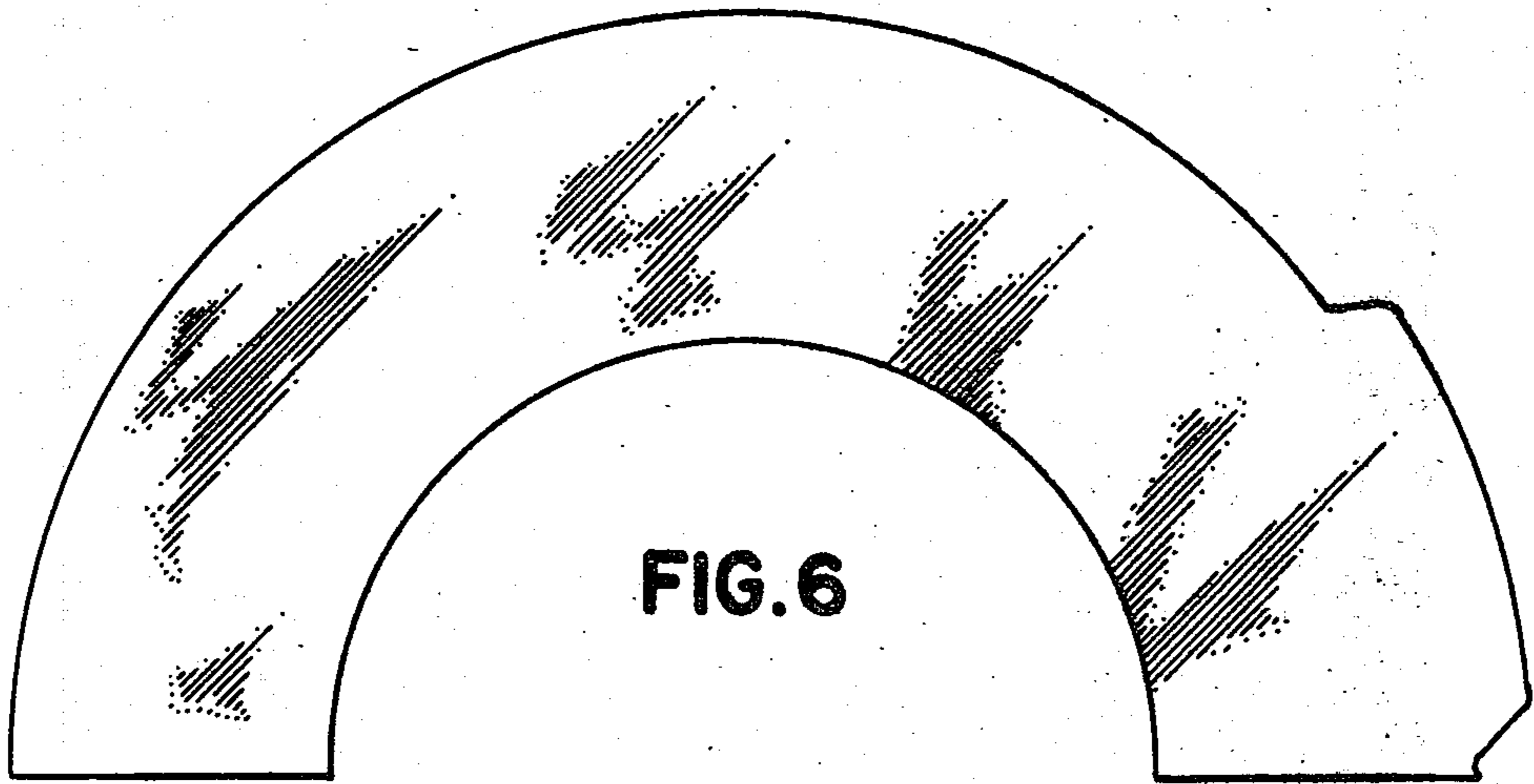
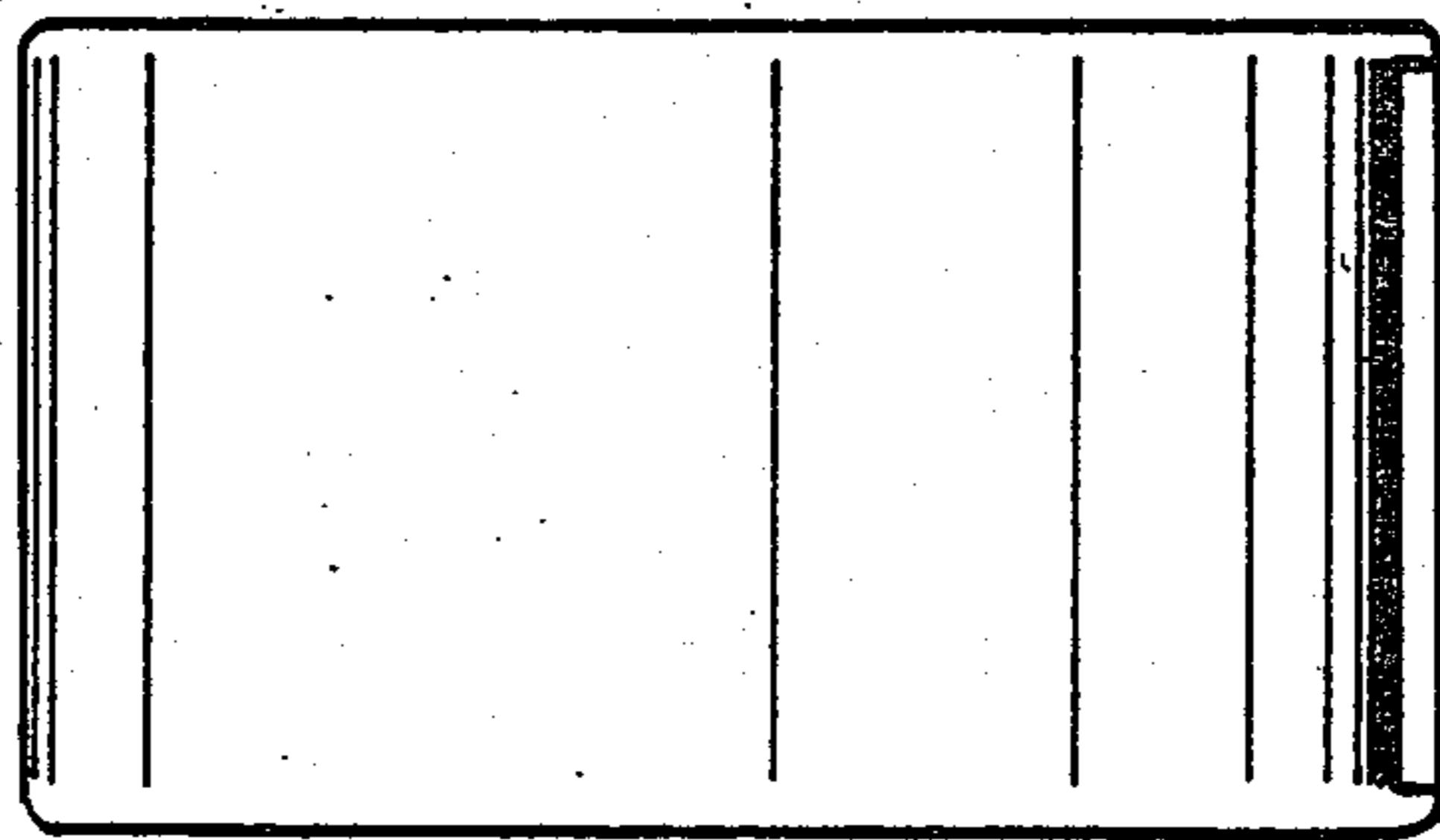


FIG. 6

FIG. 7



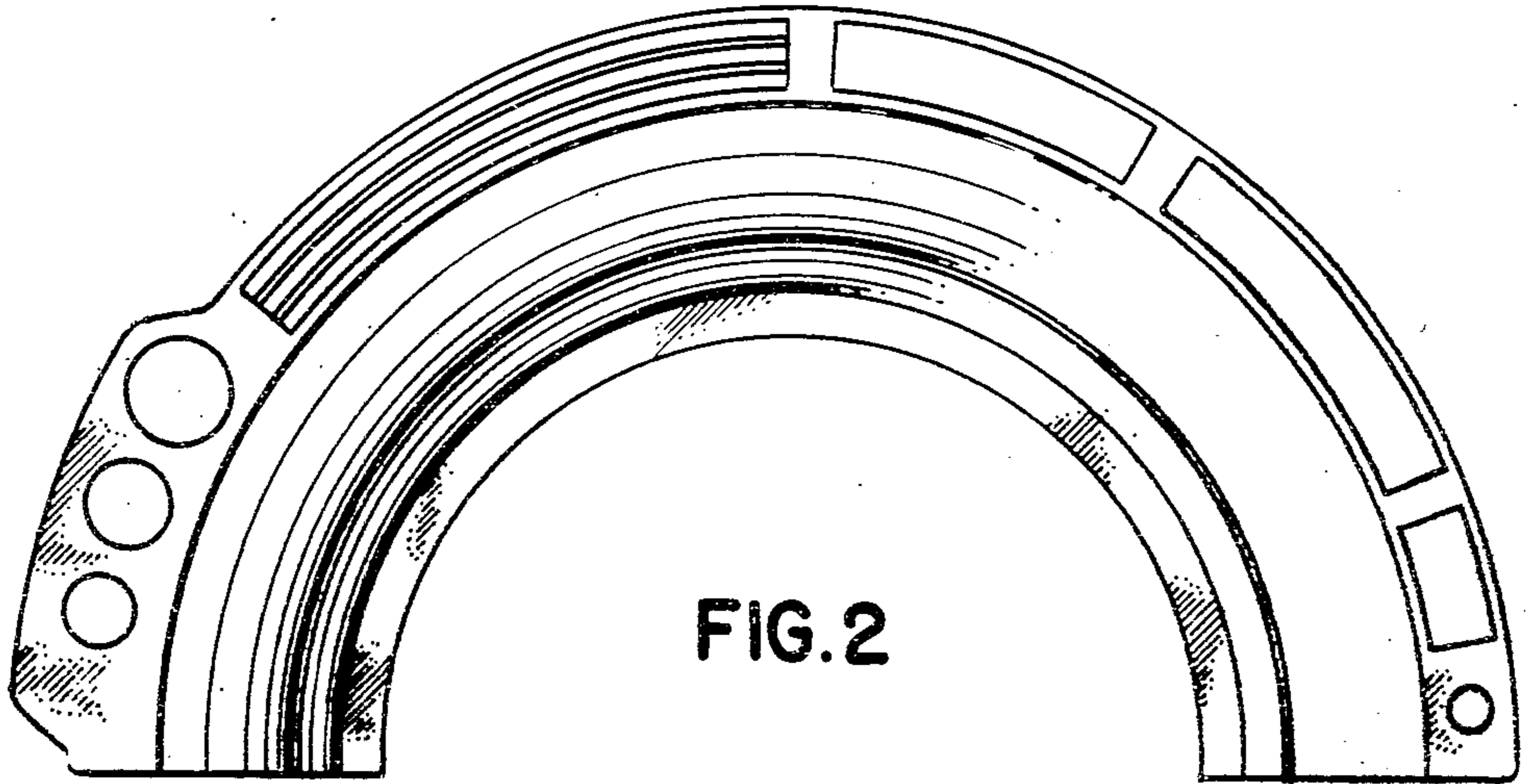


FIG. 2

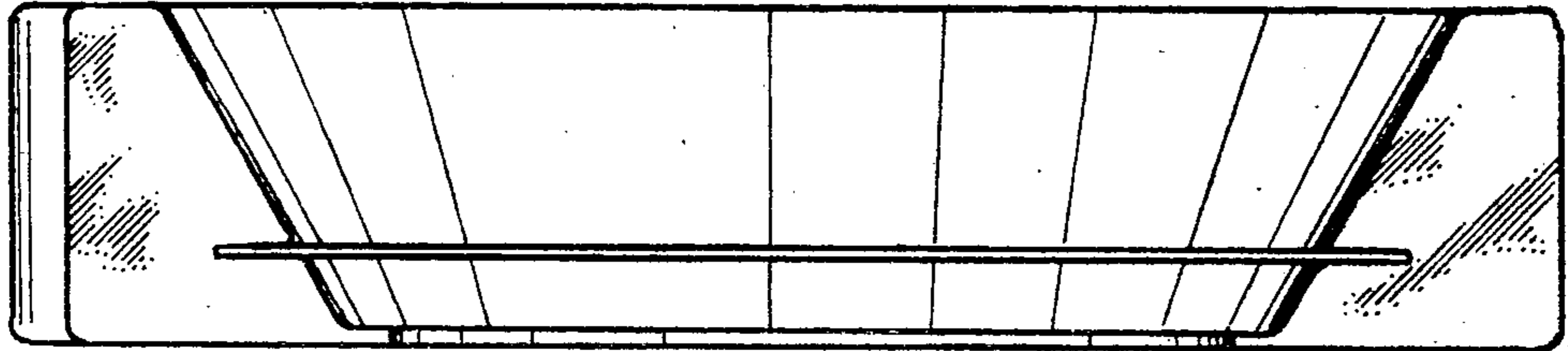


FIG. 3

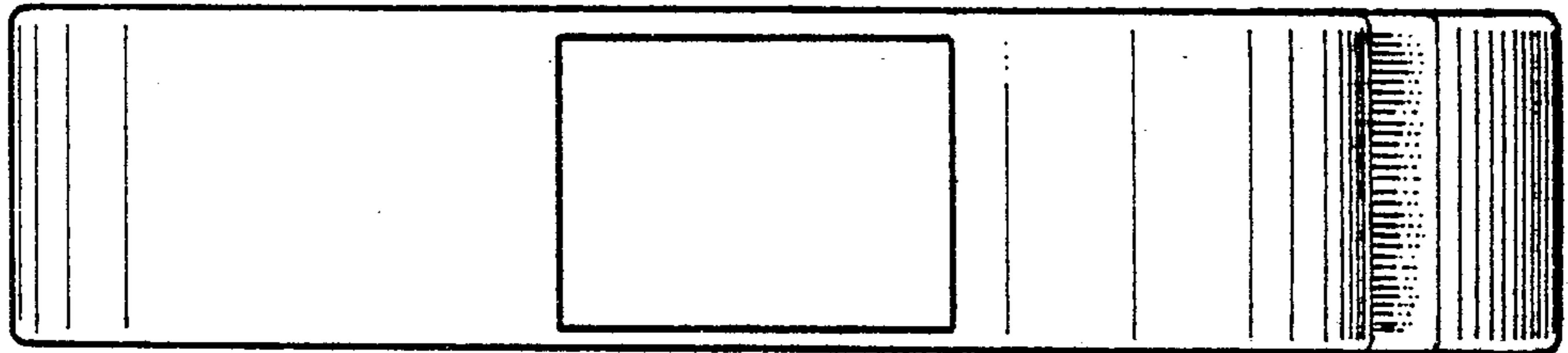


FIG. 4

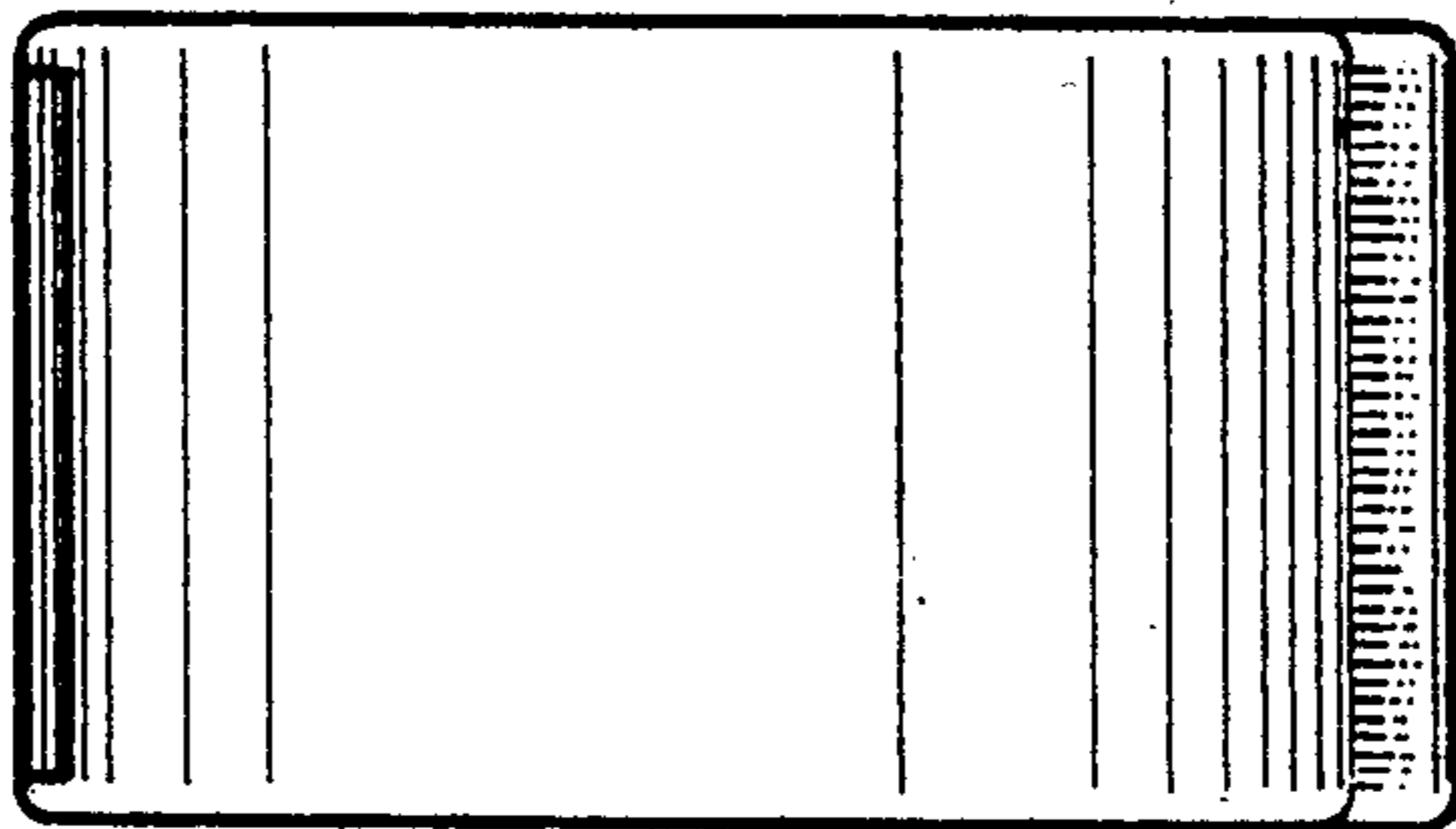


FIG. 5