

[54] COMBINED MUG AND MEGAPHONE

[75] Inventor: John G. Vail, Oakland, Calif.

[73] Assignee: Mug-A-Phone, Inc., Daytona, Fla.

[**] Term: 14 Years

[21] Appl. No.: 563,959

[22] Filed: Dec. 21, 1983

[52] U.S. Cl. D7/9; D14/35

[58] Field of Search D7/3, 5, 6, 9;
D14/30-32, 35; 215/99.5; 181/177

[56] References Cited

U.S. PATENT DOCUMENTS

- D. 213,460 3/1969 Beckman et al. D7/9
- D. 263,916 4/1982 Reece D7/9
- D. 271,968 12/1983 Segan et al. D14/35

- D. 275,438 9/1984 Everson D7/9
- 3,890,484 6/1975 Kamins et al. D7/9

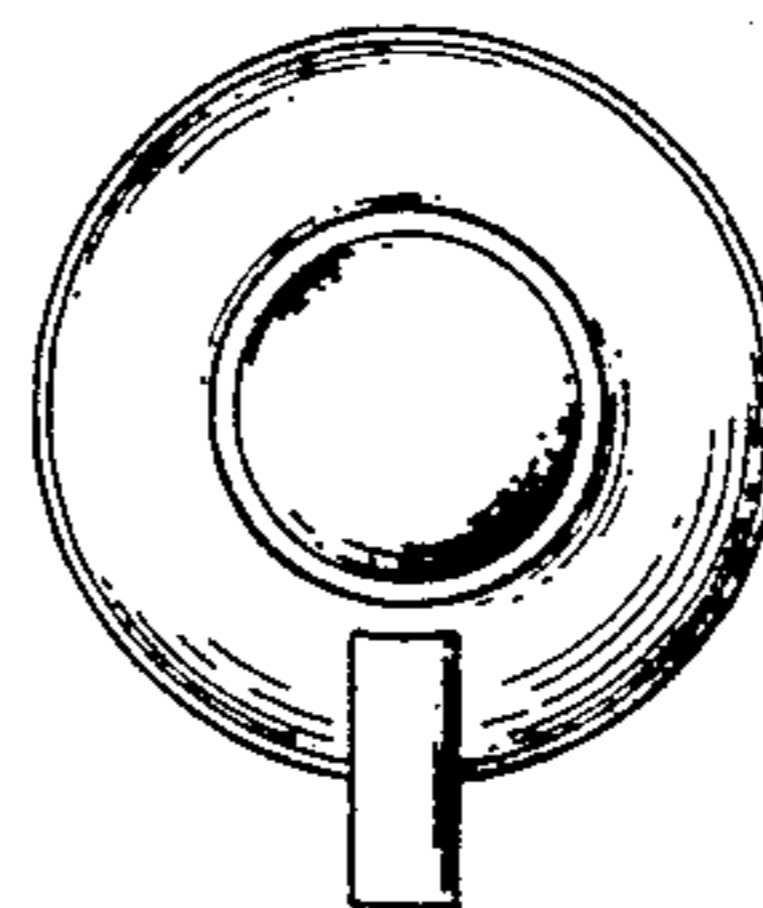
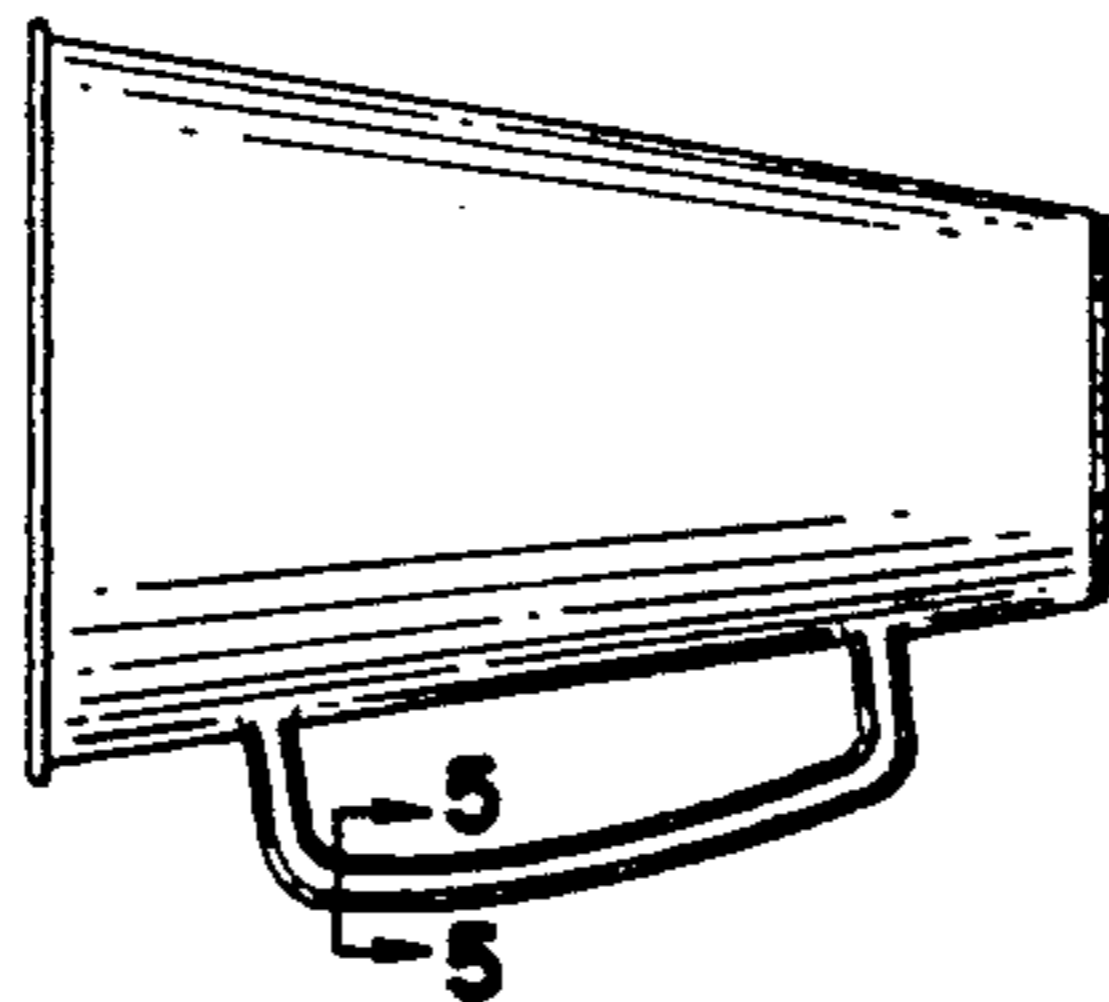
Primary Examiner—Louis S. Zarfes
Attorney, Agent, or Firm—Manfred M. Warren; Robert B. Chickering; Glen R. Grunewald

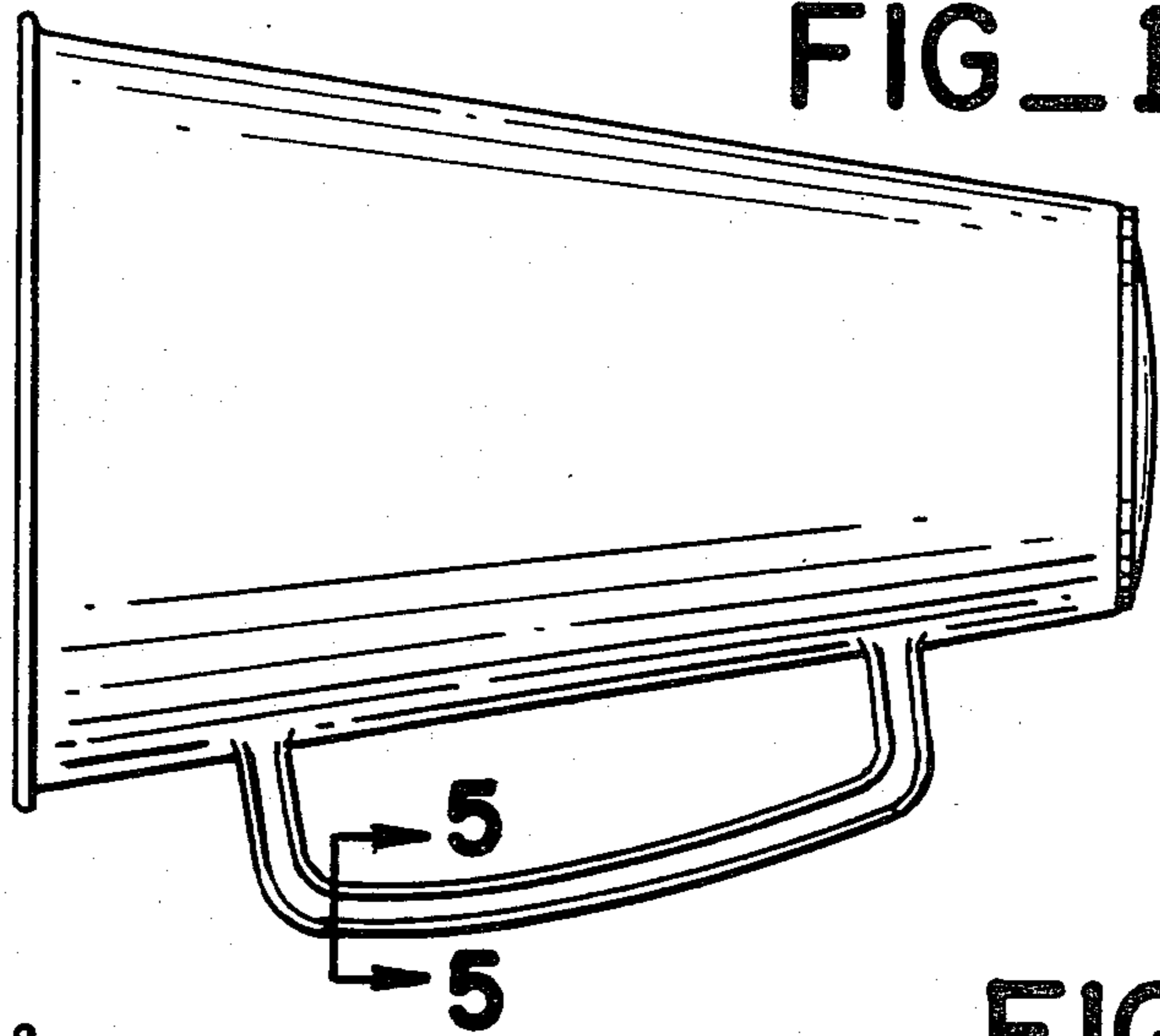
[57] CLAIM

The ornamental design for a combined mug and megaphone, as shown and described.

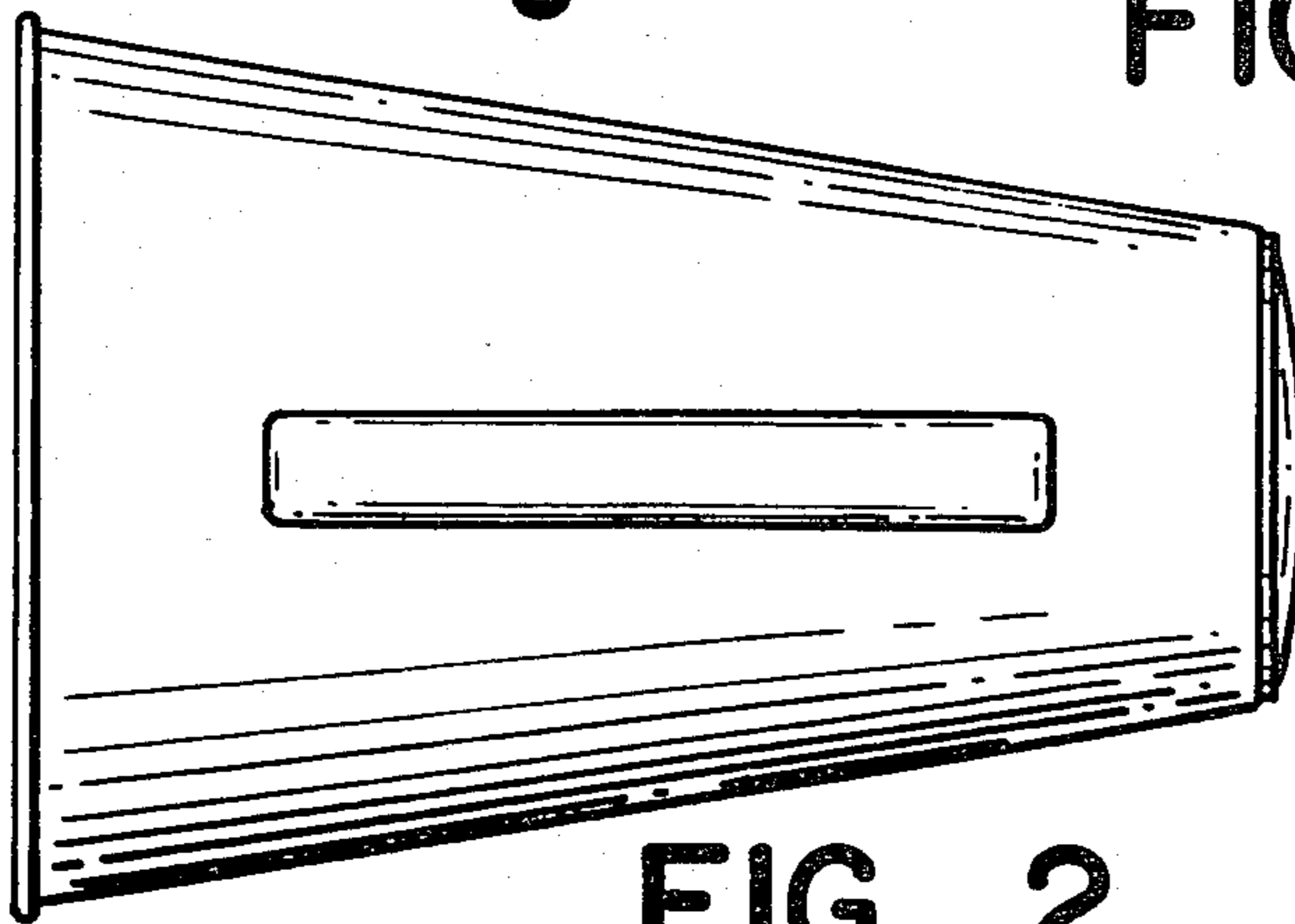
DESCRIPTION

FIG. 1 is a side elevational view of a combined mug and megaphone showing my new design;
FIG. 2 is a side elevational view rotated by 90° from FIG. 1;
FIG. 3 is a bottom plan view thereof;
FIG. 4 is a top end plan view thereof; and
FIG. 5 is a cross sectional view taken substantially along the plane of line 5—5 in FIG. 1.

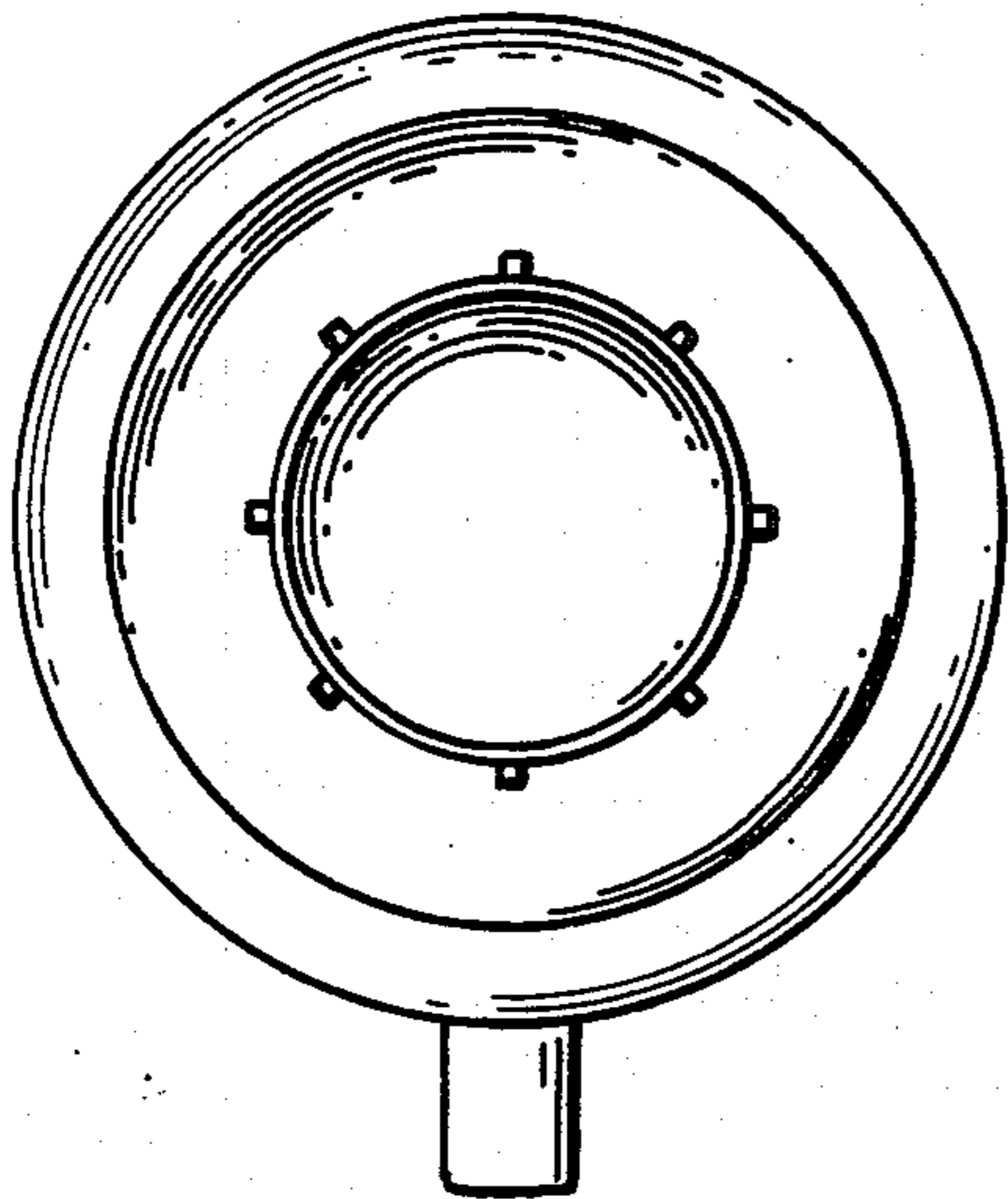




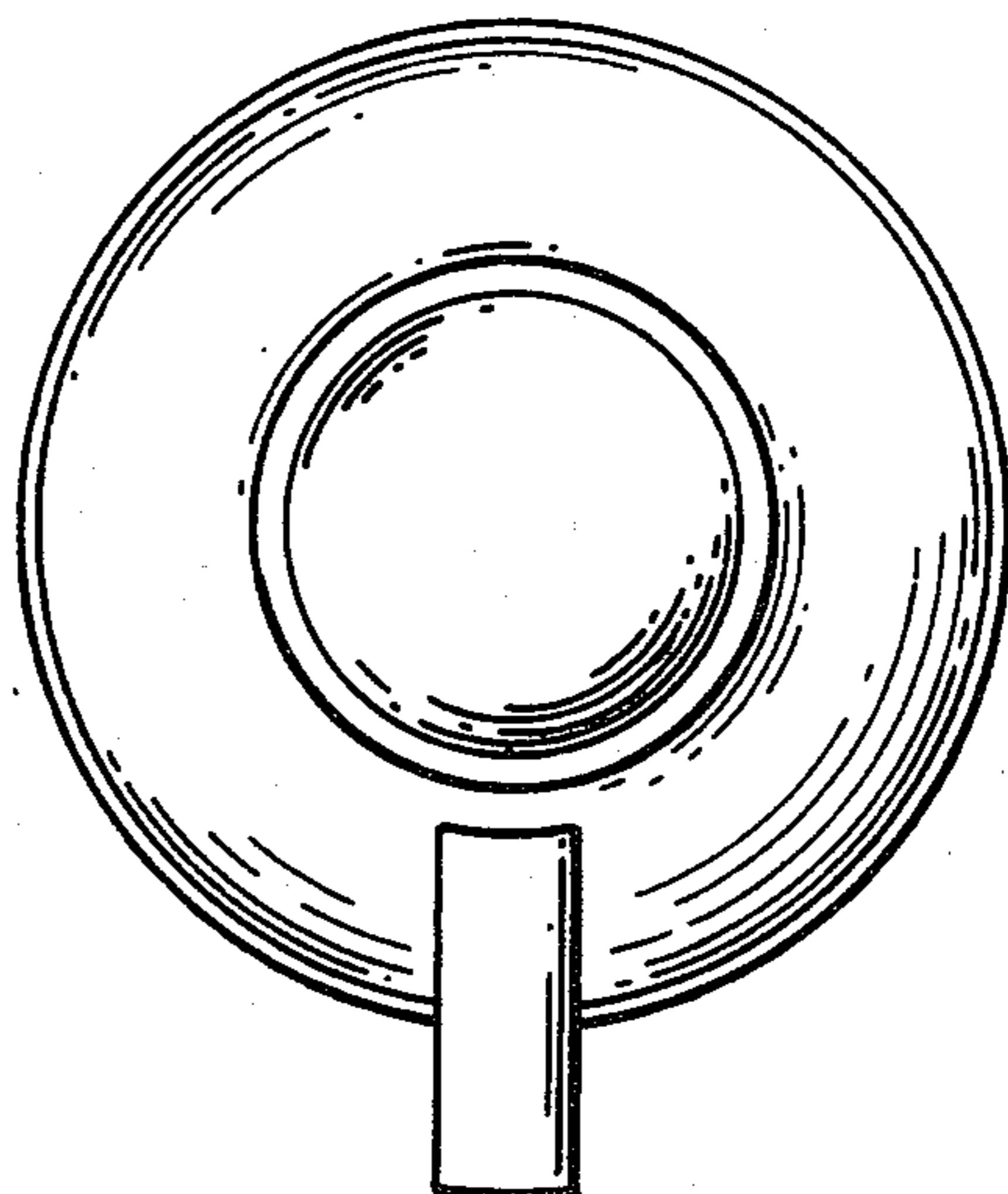
FIG_5



FIG_2



FIG_3



FIG_4