

[54] **STAND**

[76] **Inventor: Väinö Hänninen, Rydbergstorpsnägen  
Falkenberg, Sweden**

[\*\*] **Term: 14 Years**

[21] **Appl. No.: 503,674**

[22] **Filed: Jun. 13, 1983**

[30] **Foreign Application Priority Data**

Dec. 13, 1982 [SE] Sweden ..... 82-2980

[52] **U.S. Cl. .... D6/498; D6/366**

[58] **Field of Search ..... D6/364, 365, 366, 486,  
D6/495, 496, 498; 248/188.7**

[56] **References Cited**

**U.S. PATENT DOCUMENTS**

D. 67,979 8/1925 Turner ..... D6/498

D. 90,848 10/1933 Karl et al. .... D6/498  
D. 123,496 11/1940 Brainard ..... D6/498  
D. 236,301 8/1975 Mudde ..... D6/498  
D. 269,756 7/1983 Sandham ..... D6/498  
3,075,734 1/1963 Hennel ..... D6/498 X

*Primary Examiner*—Bruce W. Dunkins  
*Attorney, Agent, or Firm*—Kane, Dalsimer, Kane,  
Sullivan and Kurucz

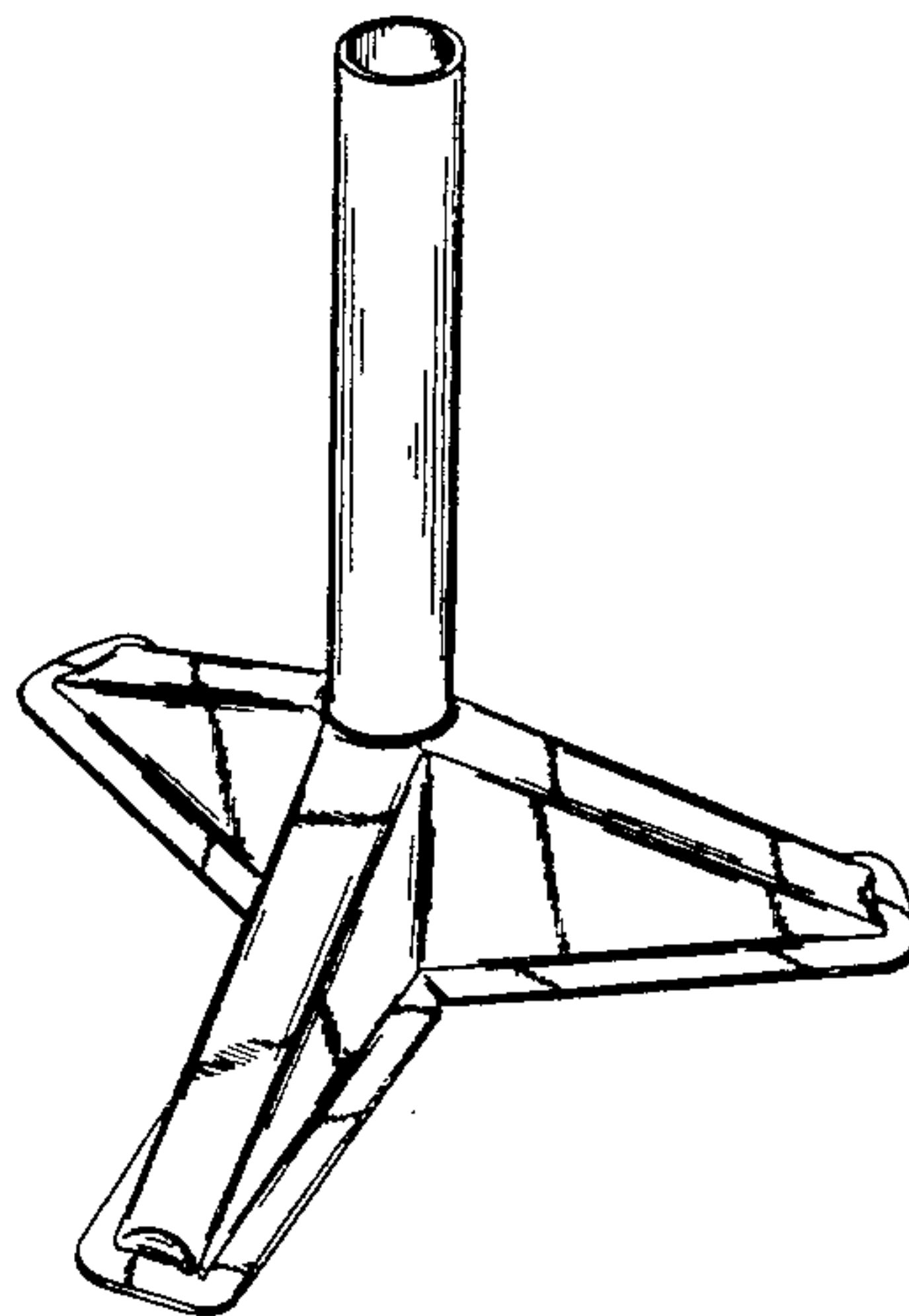
[57] **CLAIM**

The ornamental design for a stand, as shown and described.

**DESCRIPTION**

FIG. 1 is a front view in perspective of the stand, showing my new design; the unseen side portions of the stand shown in the figure are similar in appearance to the side portions shown.

FIG. 2 is a top view of the stand shown in FIG. 1.



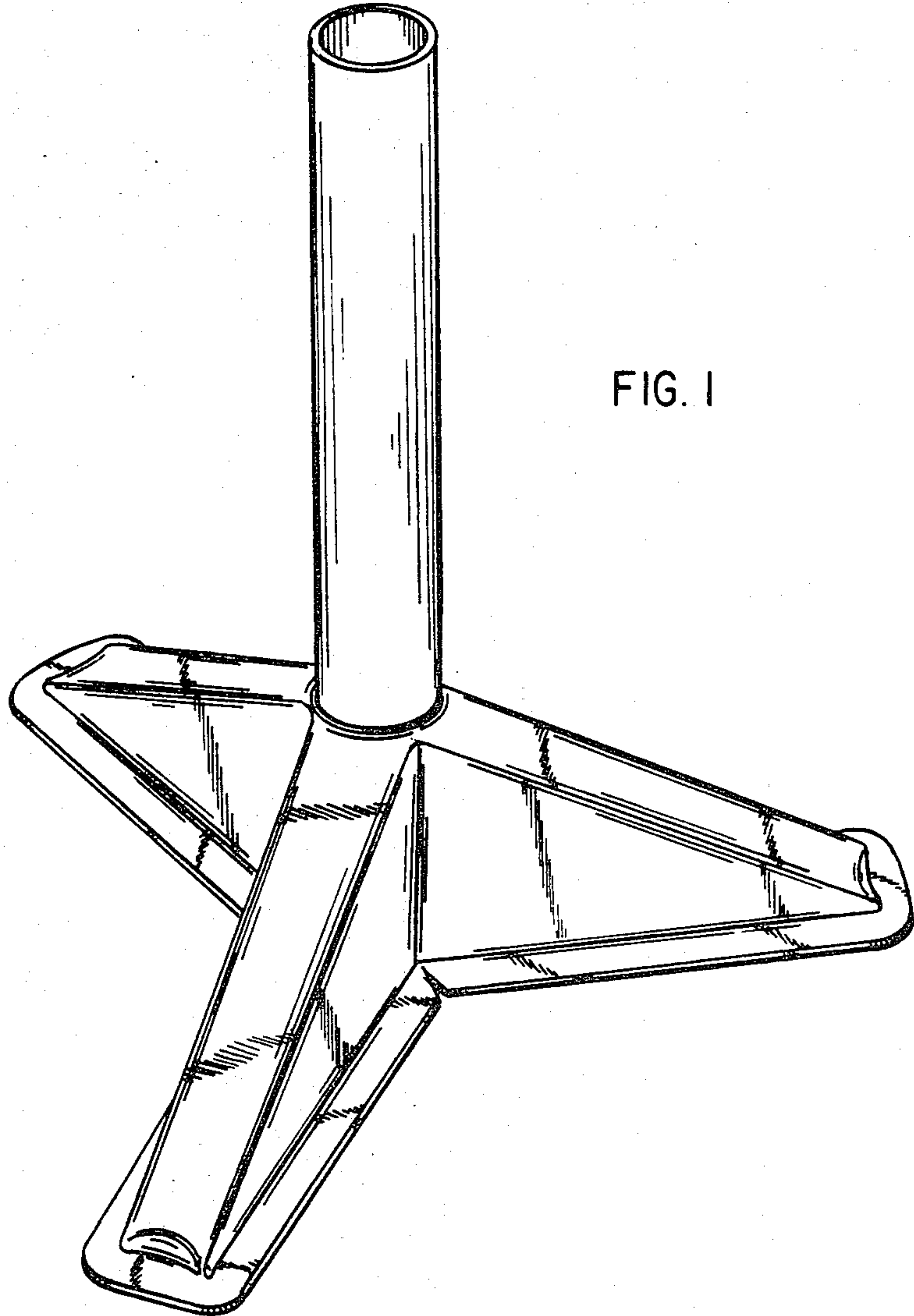


FIG. 1

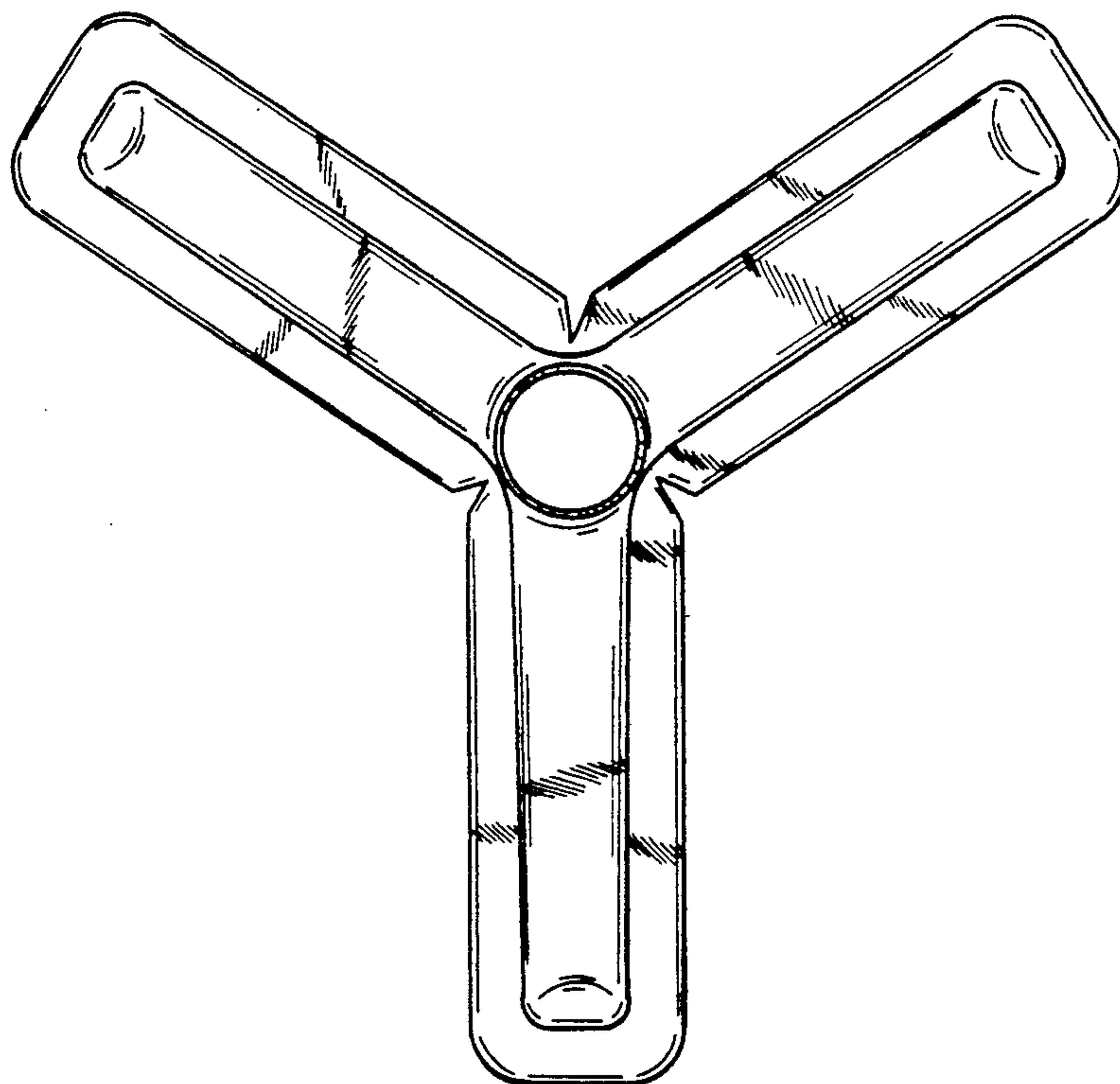


FIG. 2