

[54] MAIL BOX

[76] Inventor: **Freda Margiloff**, 26 Windmill Rd., Armonk, N.Y. 10504

[**] Term: **14 Years**

[21] Appl. No.: **441,959**

[22] Filed: **May 27, 1983**

[52] U.S. Cl. **D99/33**

[58] Field of Search D99/29, 33, 28; 232/33, 232/34, 35, 21, 17; 194/DIG. 8

[56] **References Cited**

U.S. PATENT DOCUMENTS

471,918	3/1892	Van Pelt	232/33
661,361	11/1900	Weaver	232/34
962,281	6/1910	Westelin	232/33

OTHER PUBLICATIONS

Ward's Catalog, 1978, p. 713, Item "A", Mail Box.

Primary Examiner—Bernard Ansher

Assistant Examiner—Terry Pfeffer

[57] **CLAIM**

The ornamental design for a mail box, as shown and described.

DESCRIPTION

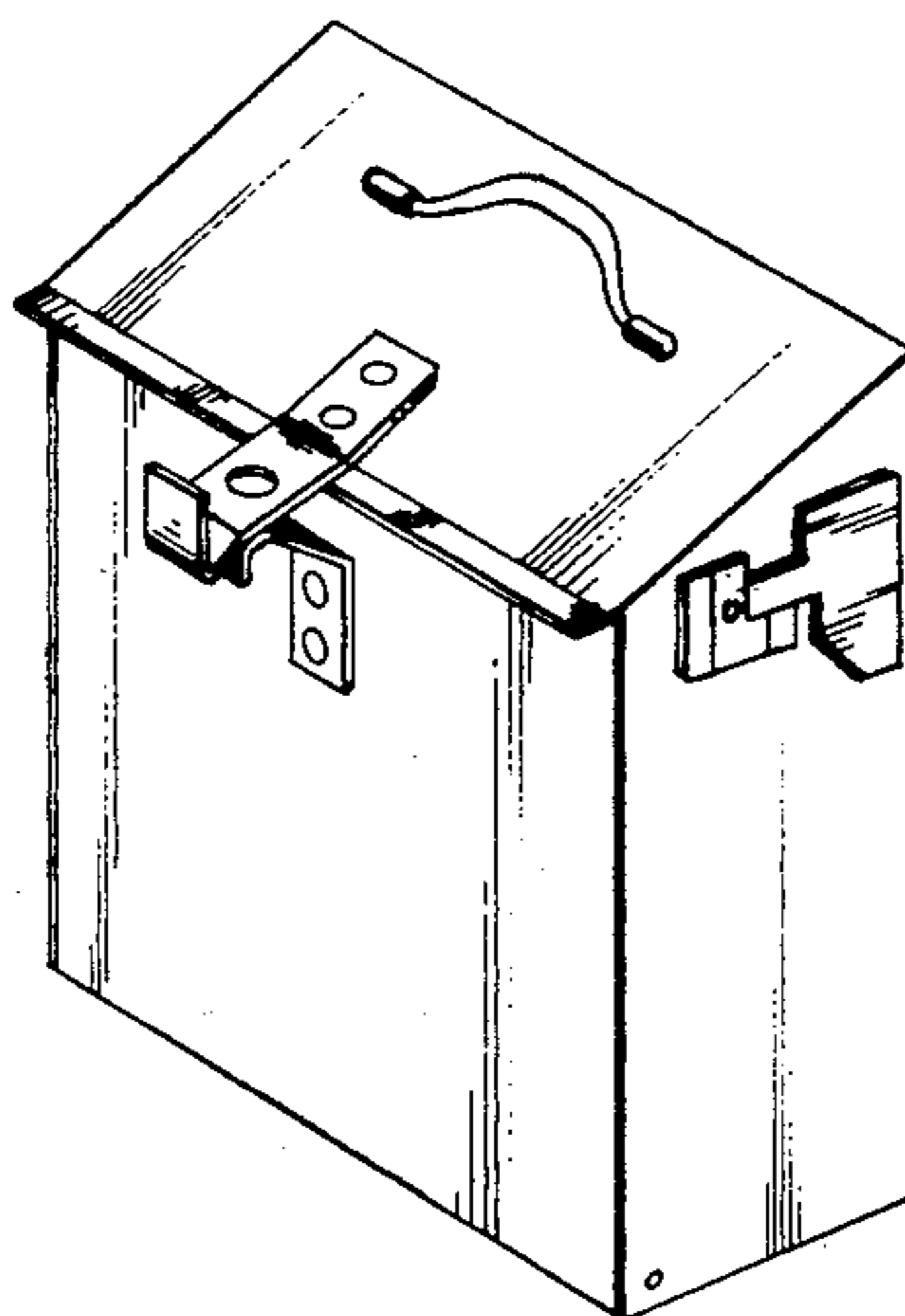
FIG. 1 is a front perspective view of the mail box of this invention;

FIG. 2 is a rear elevation thereof; the post is shown in broken line for illustrative purposes only;

FIG. 3 is a bottom view of the movable inner portion of the mail box;

FIG. 4 is a side perspective view of the mail box of this invention;

FIG. 5 is a side perspective view of the mail box.



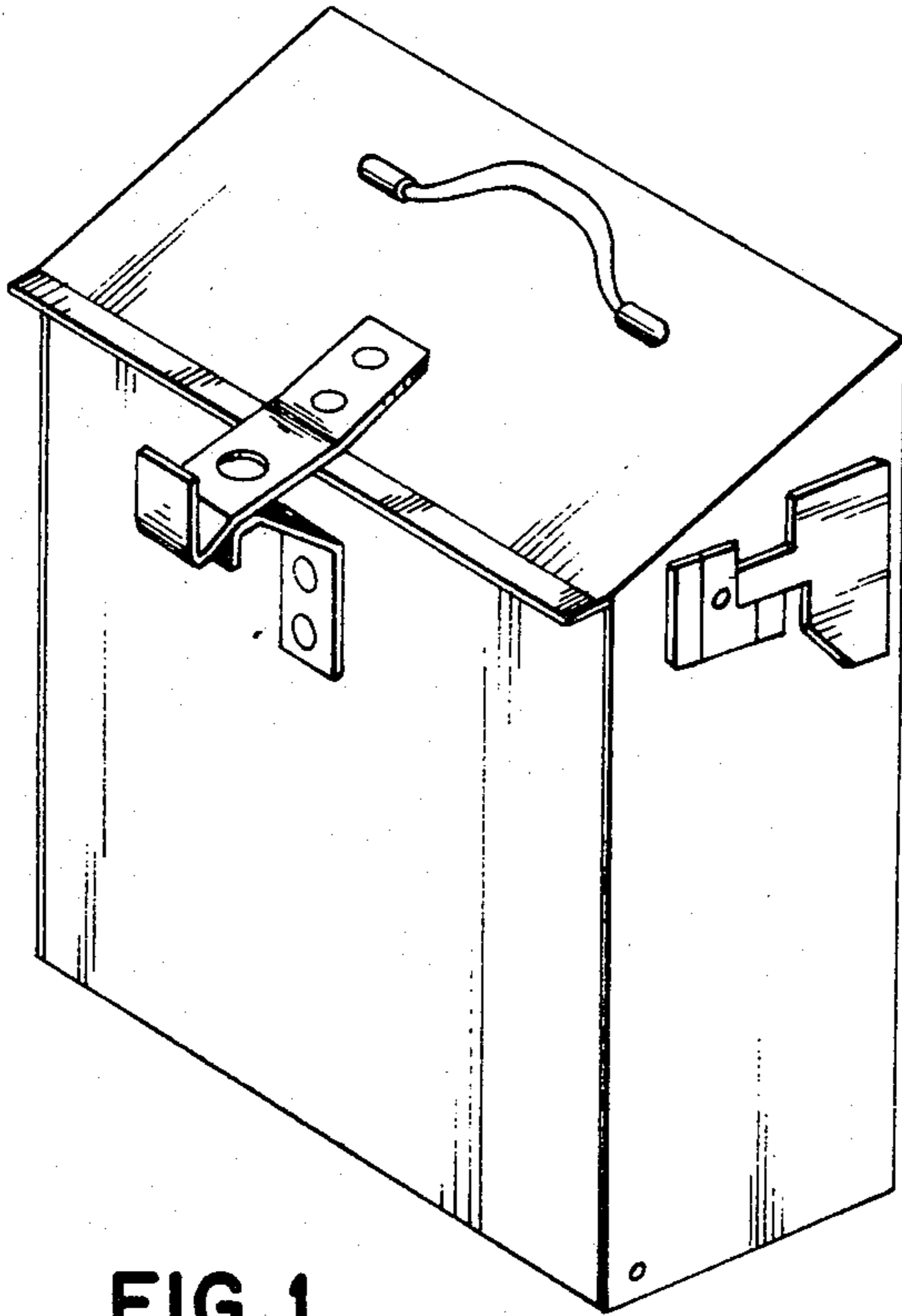


FIG. 1

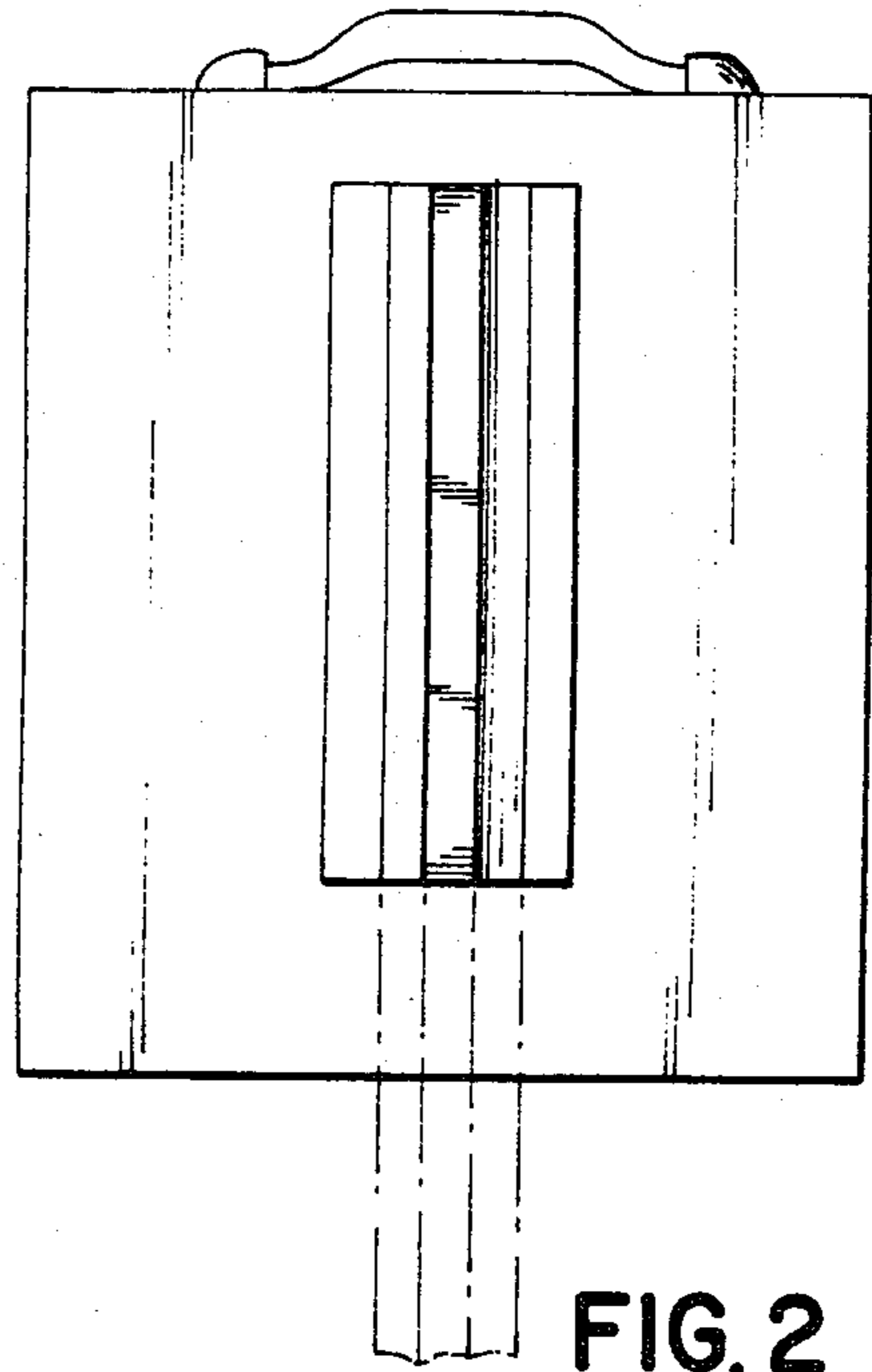


FIG. 2

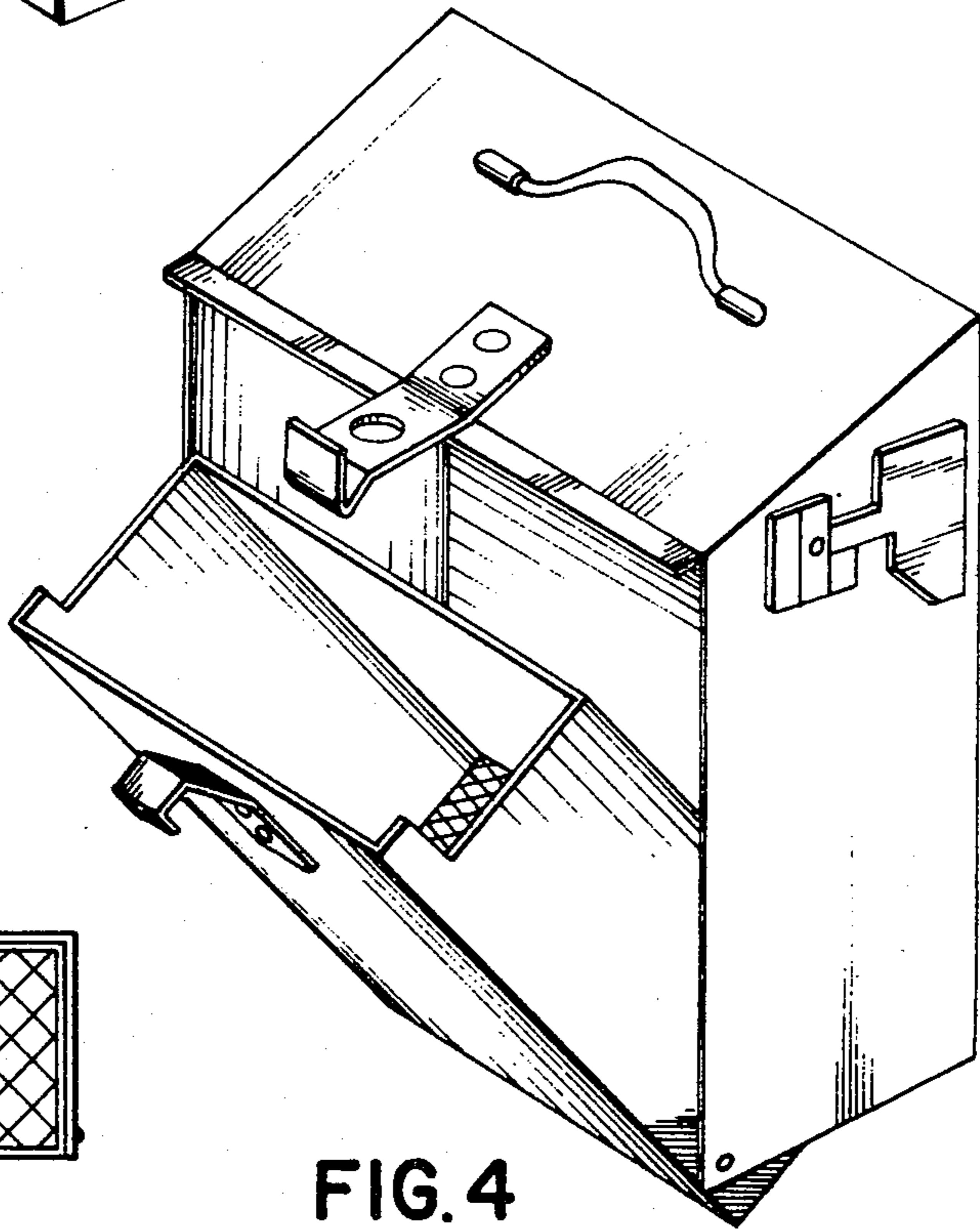
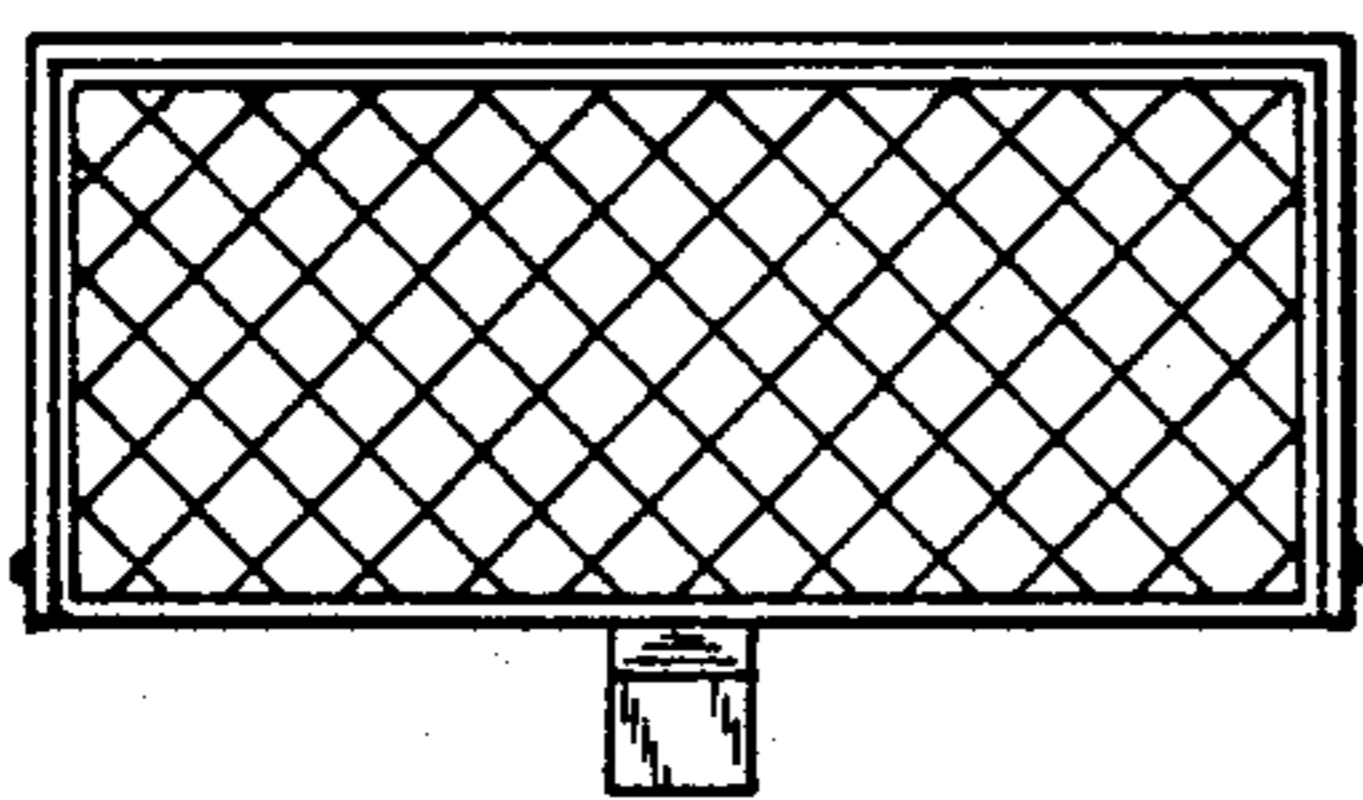


FIG. 4

FIG. 3



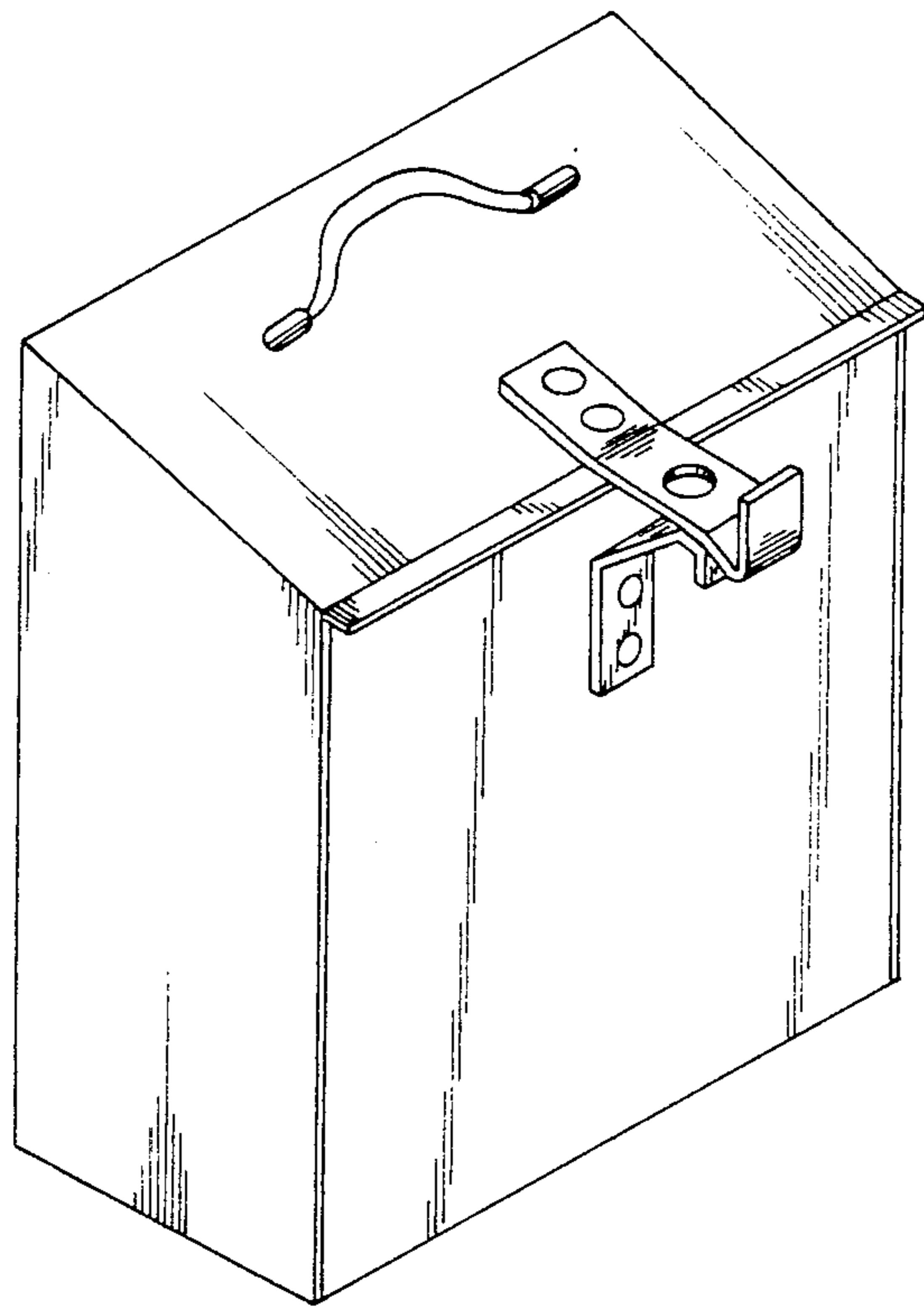


FIG. 5