

# United States Patent [19]

Jenkins et al.

[11] Patent Number: **Des. 283,745**

[45] Date of Patent: **\*\* May 6, 1986**

[54] **CUSTOMER-OPERATED CASH DISPENSER**

[75] Inventors: **Stuart M. Jenkins**, Bognor Regis;  
**John J. Weaver**, Reading, both of  
England

[73] Assignee: **De La Rue Systems Limited**,  
Portsmouth, England

[\*\*] Term: **14 Years**

[21] Appl. No.: **521,824**

[22] Filed: **Aug. 10, 1983**

[30] **Foreign Application Priority Data**

Jun. 21, 1983 [GB] United Kingdom ..... 1013670

[52] U.S. Cl. .... **D99/28**

[58] Field of Search ..... D99/28, 43, 99;  
D14/100, 102, 105, 106, 115; 109/10, 24.1, 19,  
66; 232/1 D, 1 R; 186/37; 235/379-382;  
D25/16

[56] **References Cited**

**U.S. PATENT DOCUMENTS**

Re. 30,773 10/1981 Glaser et al. .... 235/379  
4,282,424 8/1981 Hirose ..... 235/381 X  
4,423,316 12/1983 Sano et al. .... 235/379

*Primary Examiner*—Bernard Ansher  
*Assistant Examiner*—Terry Pfeffer  
*Attorney, Agent, or Firm*—Cushman, Darby & Cushman

[57] **CLAIM**

The ornamental design for a customer operated cash dispenser, substantially as shown.

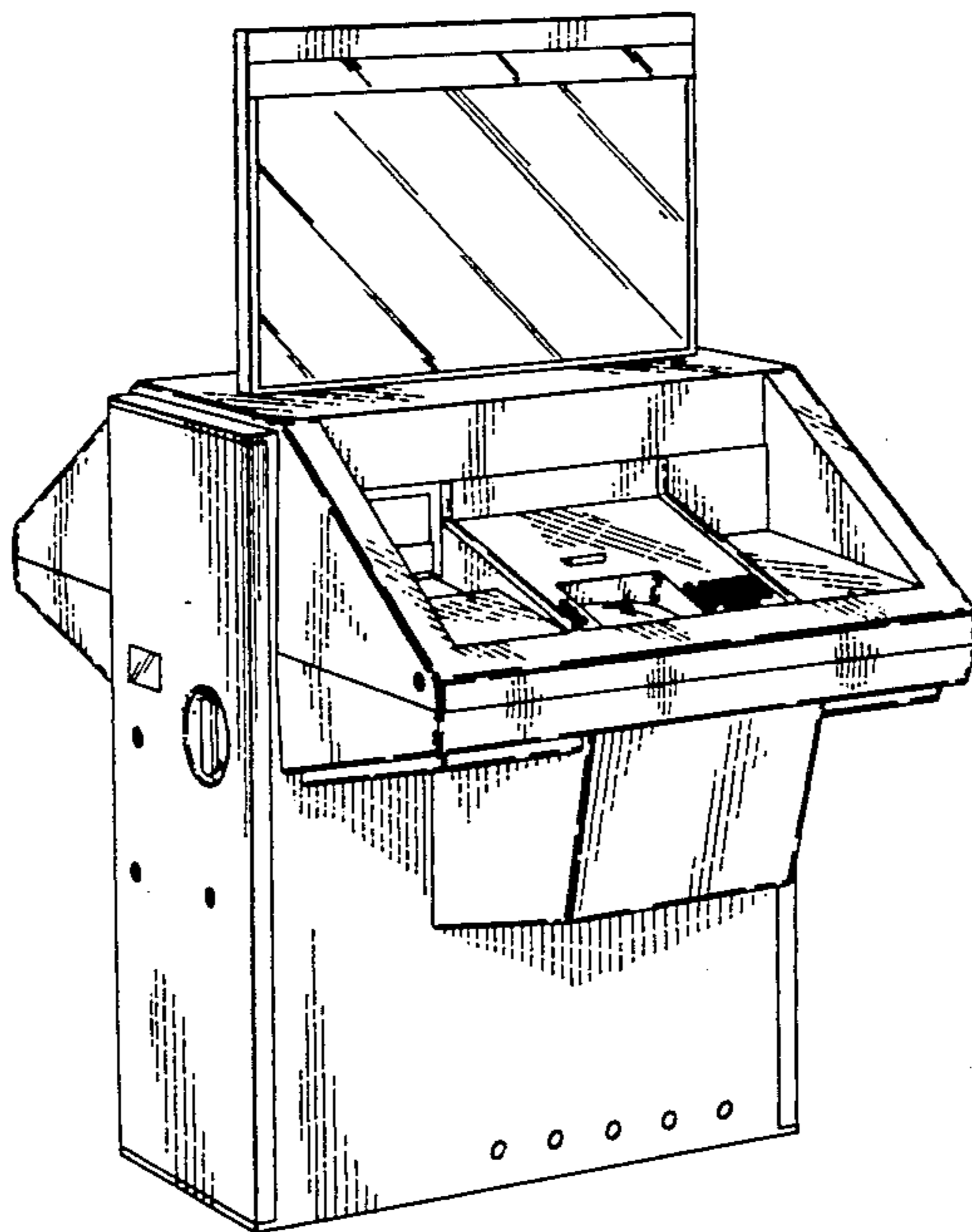
**DESCRIPTION**

FIG. 1 is a top, front, left side perspective view of a customer operated cash dispenser showing our new design;

FIG. 2 is a right side elevational view thereof;

FIG. 3 is a rear elevational view thereof; and

FIG. 4 is a bottom plan view thereof.



*Fig. 1.*

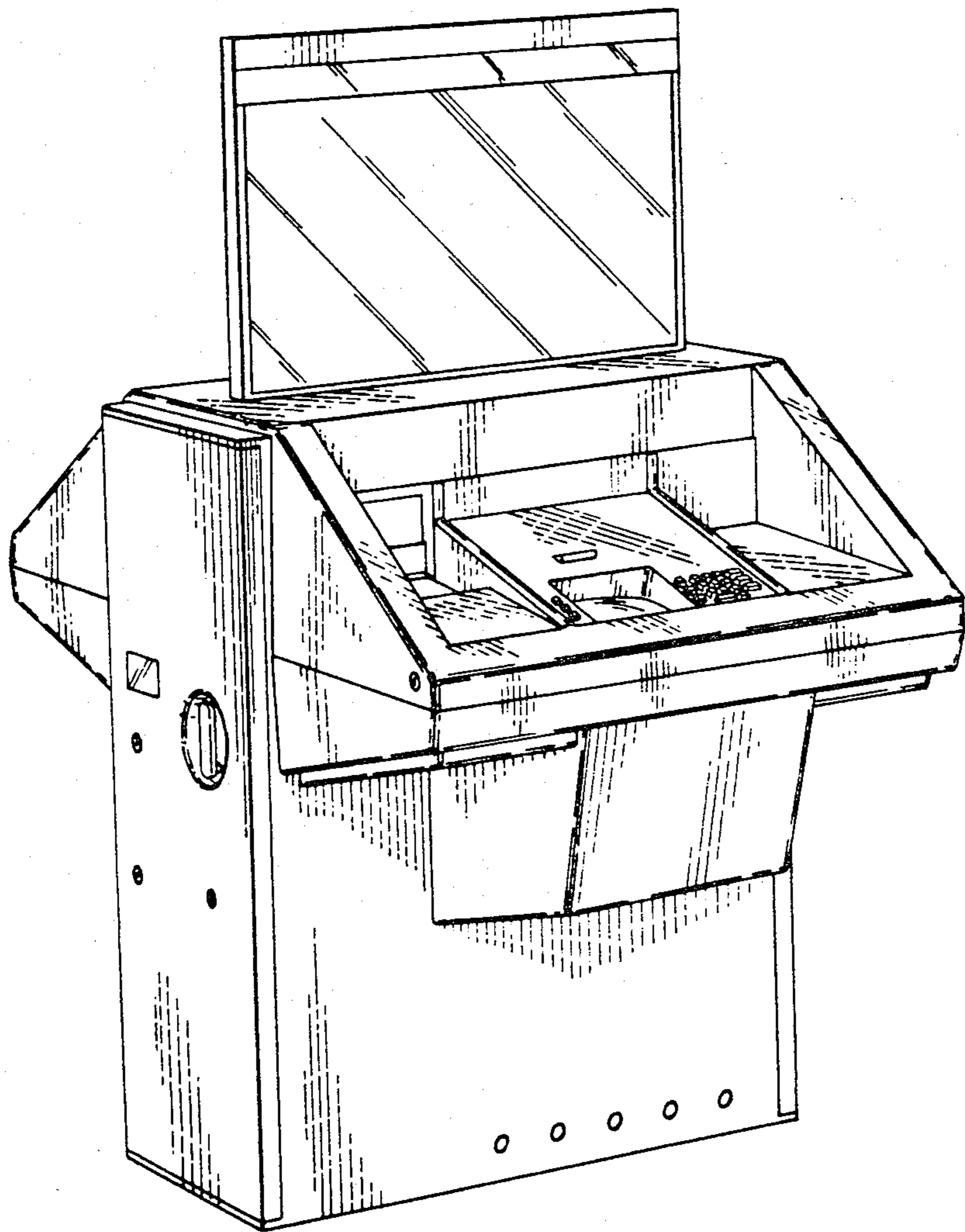
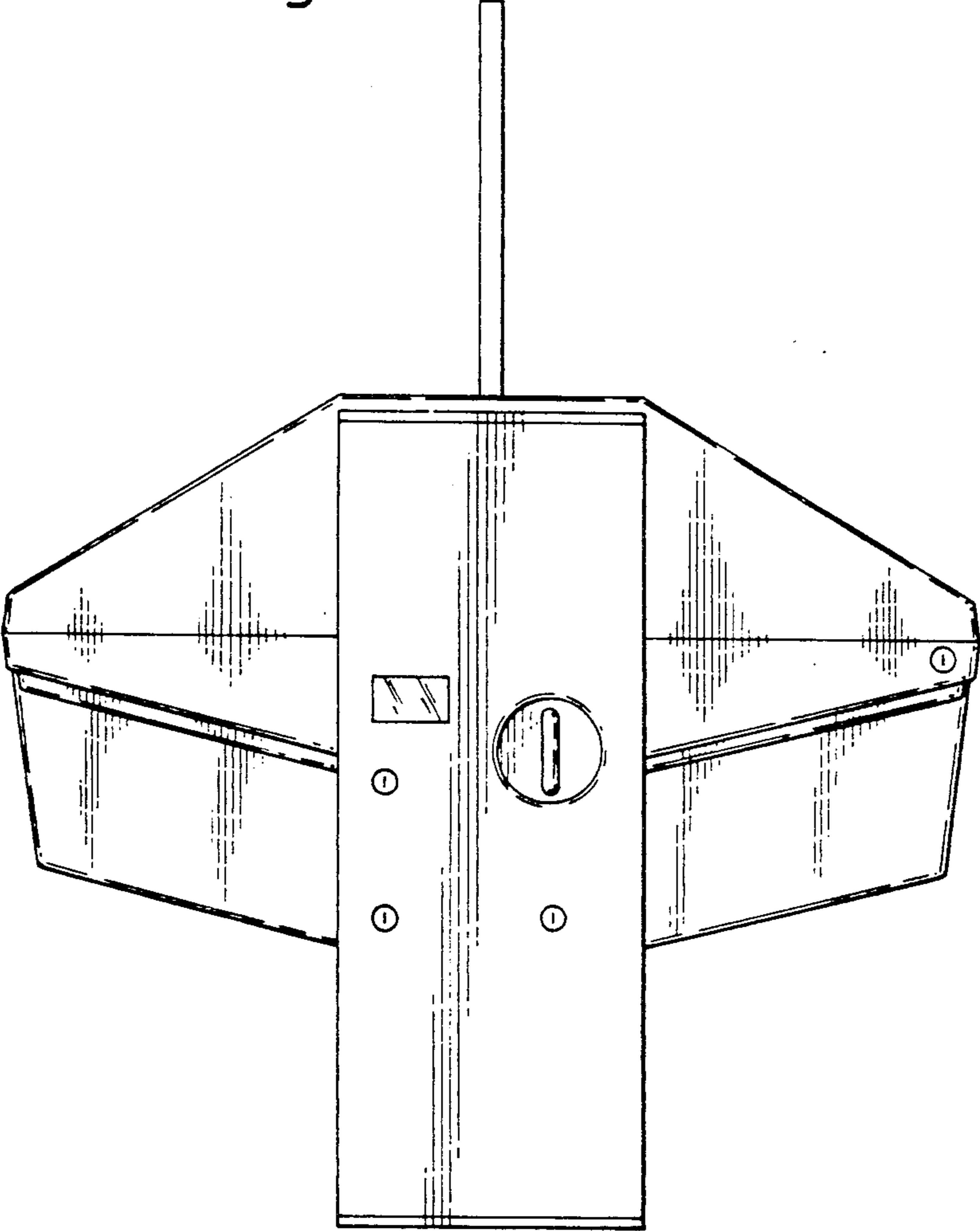
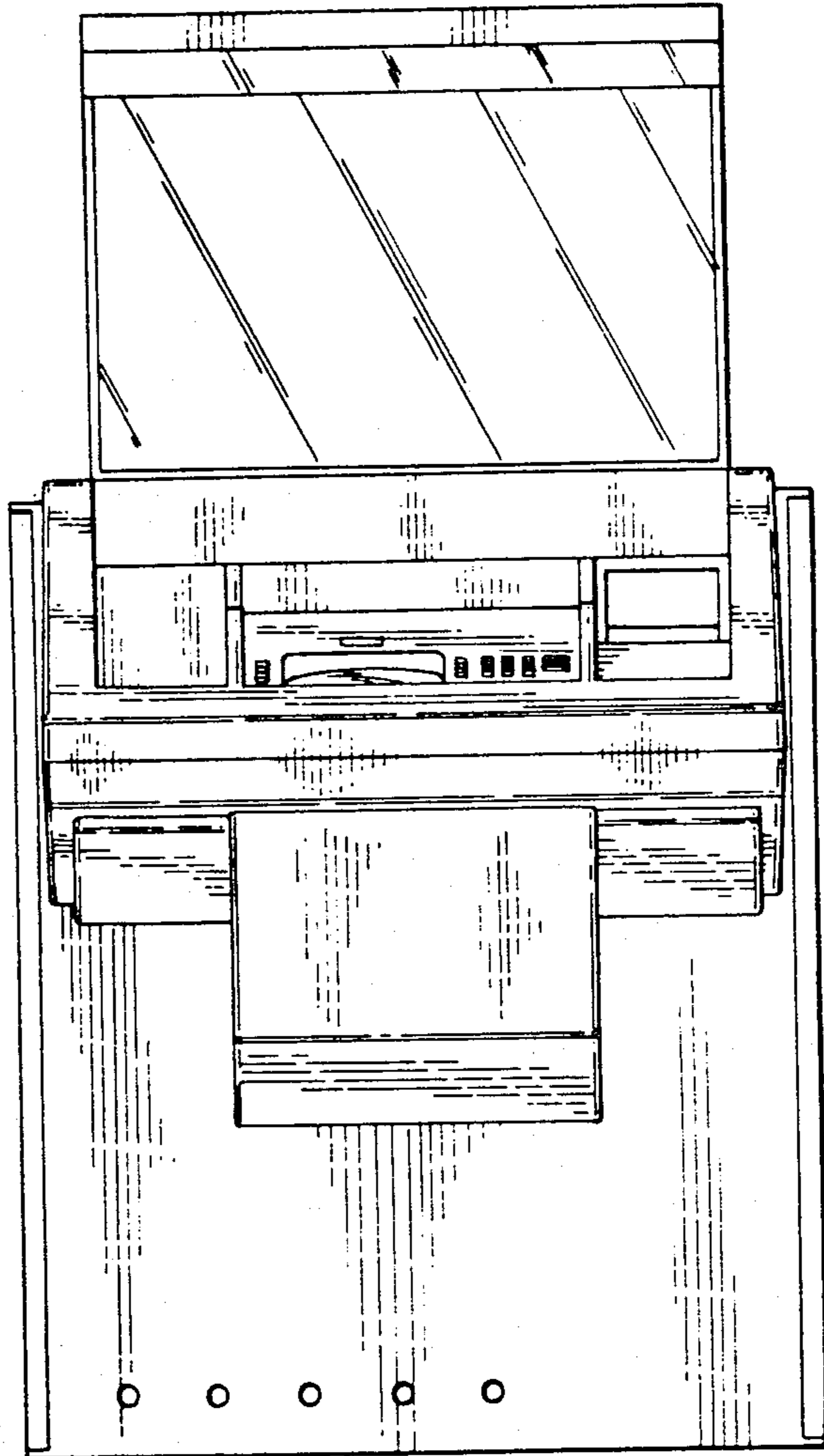


Fig. 2.



*Fig. 3.*



*Fig. 4.*

