

# United States Patent [19]

Watanabe et al.

[11] Patent Number: **Des. 283,744**

[45] Date of Patent: **\*\* May 6, 1986**

[54] **ELECTRIC IRON**

[75] Inventors: **Masao Watanabe, Osaka; Toshiki Kubo, Hyogo, both of Japan**

[73] Assignee: **Matsushita Electric Industrial Co., Ltd., Osaka, Japan**

[\*\*] Term: **14 Years**

[21] Appl. No.: **607,916**

[22] Filed: **May 7, 1984**

[30] **Foreign Application Priority Data**

Feb. 15, 1984 [JP] Japan ..... 59-5127

[52] U.S. Cl. .... **D32/69**

[58] Field of Search ..... **D32/68-73;**  
38/69, 74, 75, 77.1-77.9, 88, 94, 96, 142;  
219/245-259, 271-276

[56] **References Cited**

**U.S. PATENT DOCUMENTS**

D. 174,593 4/1955 Pickard et al. .... D32/69  
D. 214,585 7/1969 Benjamin ..... D32/69  
D. 236,078 7/1975 Shalvoy ..... D32/69

D. 279,229 6/1985 Lun ..... D32/70  
D. 279,416 6/1985 Chan ..... D32/70  
4,206,340 6/1980 Osrow et al. .... 38/69 X

**FOREIGN PATENT DOCUMENTS**

2445824 1/1976 Fed. Rep. of Germany ..... 38/69  
1423603 2/1976 United Kingdom ..... 38/69

**OTHER PUBLICATIONS**

"Totally Housewares" Jan. 17-23, 1983, vol. 4, No. 1.  
HFG-Retailing Home Furnishings, HFD Special Show  
Section 2, Jan. 17, 1983.

*Primary Examiner*—Catherine E. Kemper  
*Attorney, Agent, or Firm*—Sughrue, Mion, Zinn,  
Macpeak and Seas

[57] **CLAIM**

The ornamental design for an electric iron, as shown.

**DESCRIPTION**

FIG. 1 is a front, top and right side perspective view of an electric iron showing our new design;  
FIG. 2 is a rear, bottom and left side perspective view thereof.

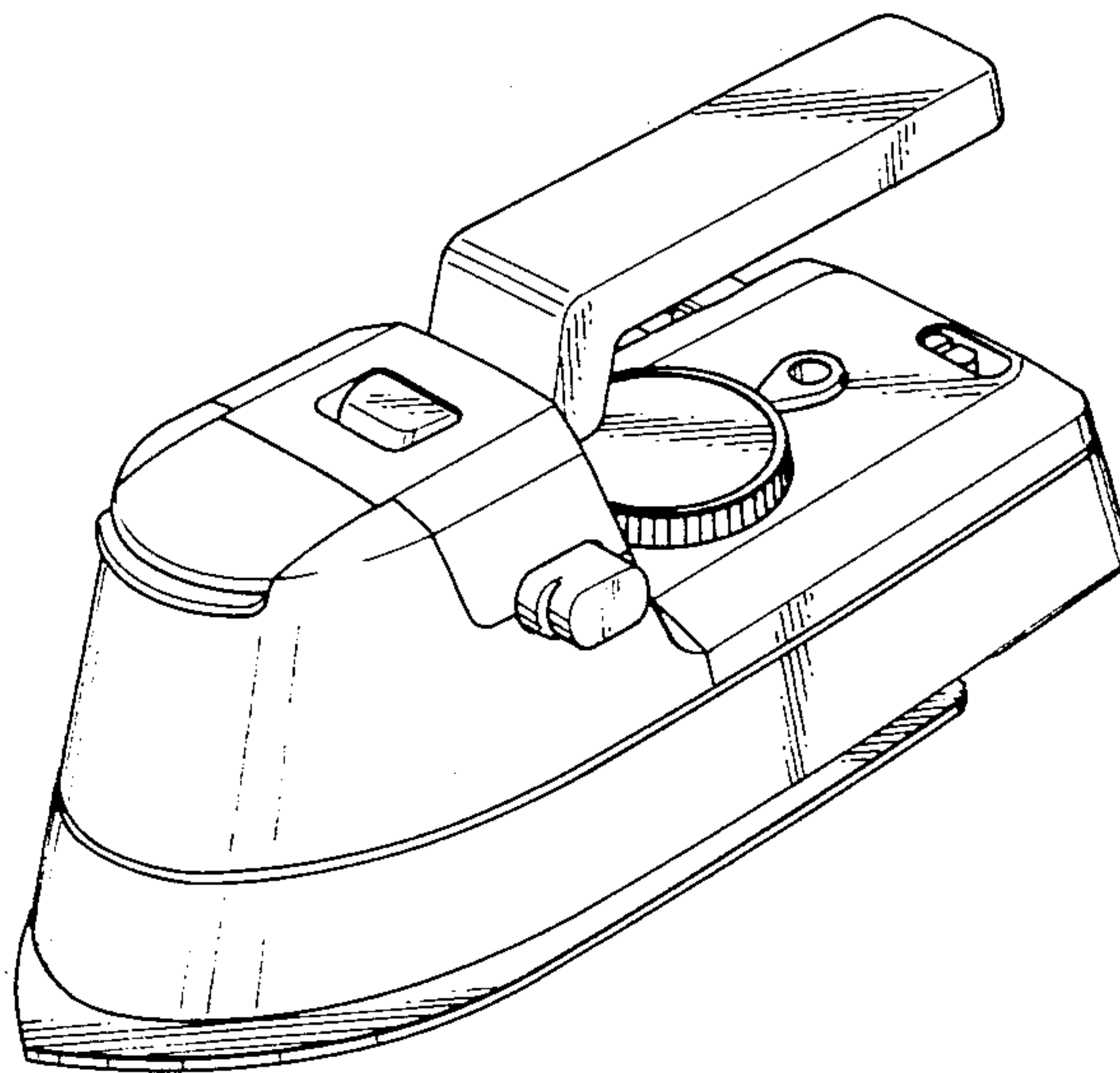


Fig. 1

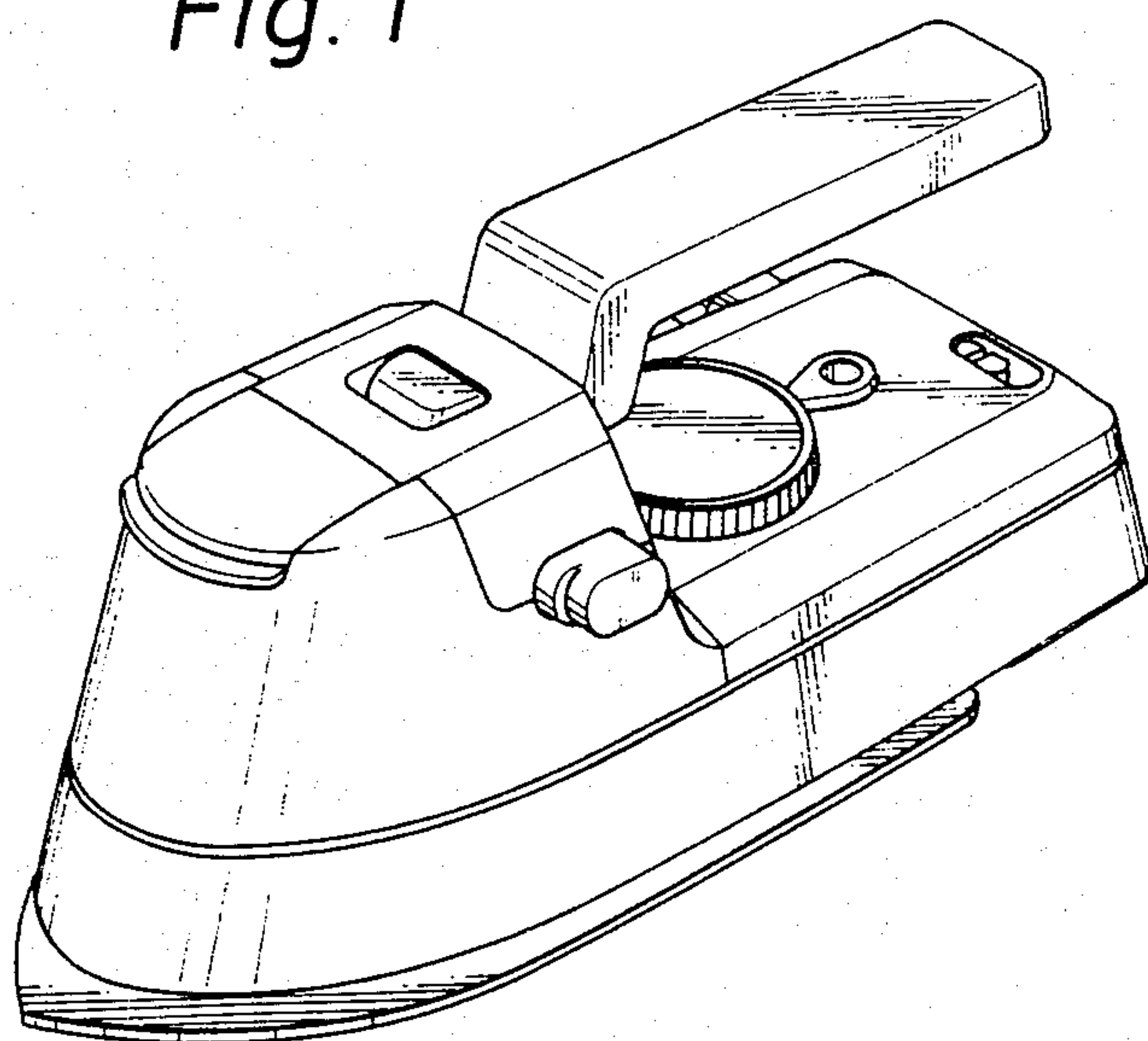


Fig. 2

