

# United States Patent [19]

Moser

[11] Patent Number: **Des. 283,743**

[45] Date of Patent: **\*\* May 6, 1986**

[54] **HOLDER FOR A SCRAPER BLADE**

[76] Inventor: **Richard M. Moser**, 1039 Merrill,  
Lincoln Park, Mich. 48146

[\*\*] Term: **14 Years**

[21] Appl. No.: **481,613**

[22] Filed: **Apr. 4, 1983**

[52] U.S. Cl. .... **D32/48**

[58] Field of Search ..... 30/169, 170, 171, 172;  
15/236; D32/40, 46, 48, 49

[56] **References Cited**

**U.S. PATENT DOCUMENTS**

D. 108,131	1/1938	Reid .....	D32/48
D. 182,070	2/1958	Hauser .....	D32/49
2,286,190	6/1942	Abrahamsen .....	30/171
3,250,000	5/1966	Schumann .....	30/171
3,341,945	9/1967	Chase .....	15/236 X
3,665,605	5/1972	Howerter .....	30/169
4,455,747	6/1984	Carossino .....	30/171

*Primary Examiner*—Catherine E. Kemper  
*Attorney, Agent, or Firm*—Reising, Ethington, Barnard,  
Perry & Milton

[57] **CLAIM**

The ornamental design holder for a scraper blade or similar article, substantially as shown and described.

**DESCRIPTION**

FIG. 1 is a side elevational view of a holder for a blade showing my new design;

FIG. 2 is a top plan view thereof;

FIG. 3 is a left end elevational view thereof;

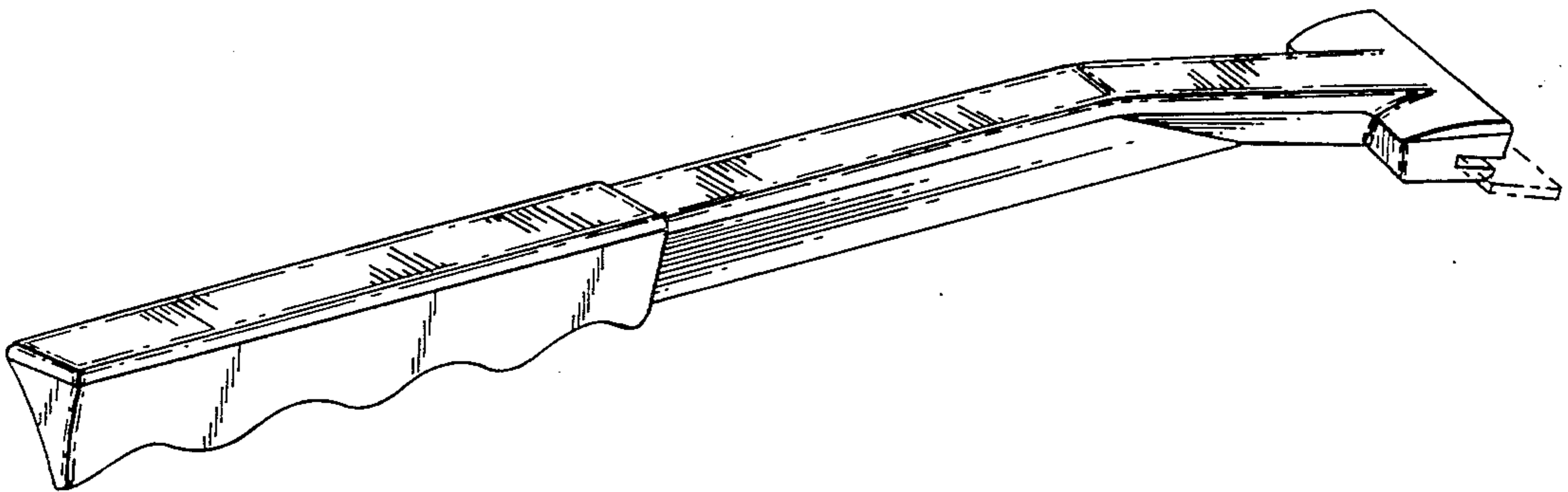
FIG. 4 is a right end elevational view thereof;

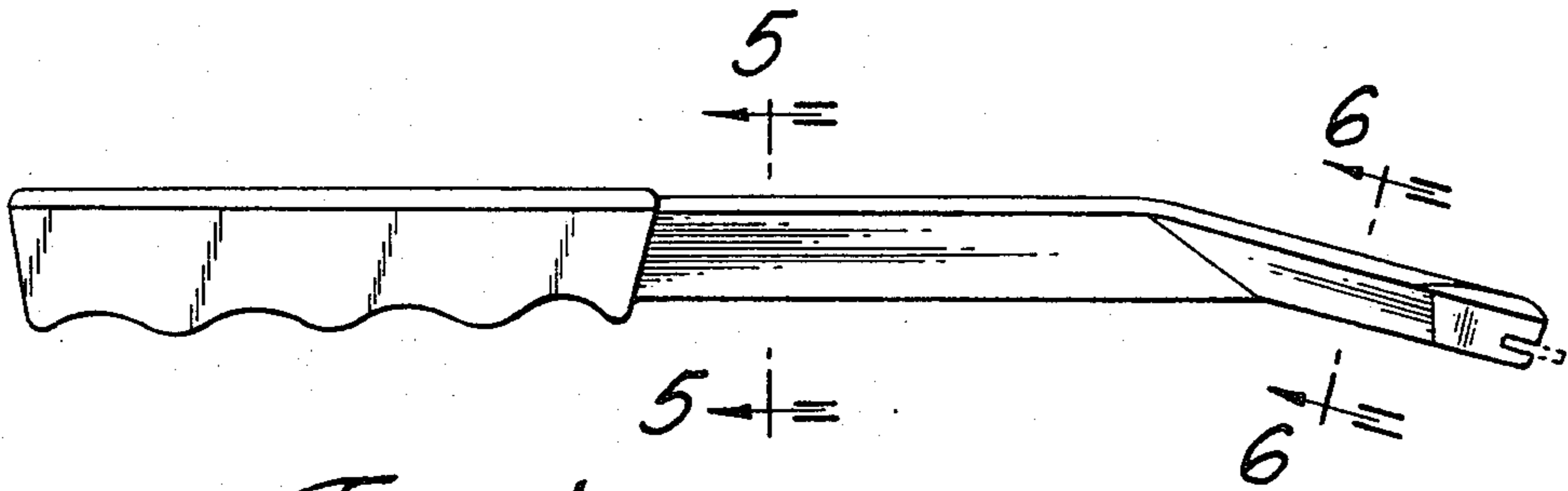
FIG. 5 is a cross-sectional view taken on lines 5—5 of FIG. 1;

FIG. 6 is a cross-sectional view taken on lines 6—6 of FIG. 1; and

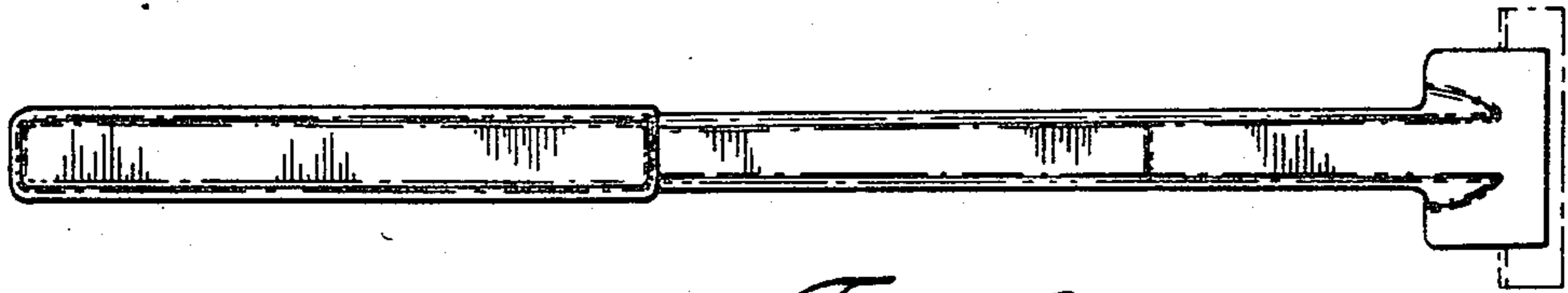
FIG. 7 is a perspective view thereof.

The broken line disclosure of the scraper blade is for illustrative purposes only and forms no part of the claimed design.

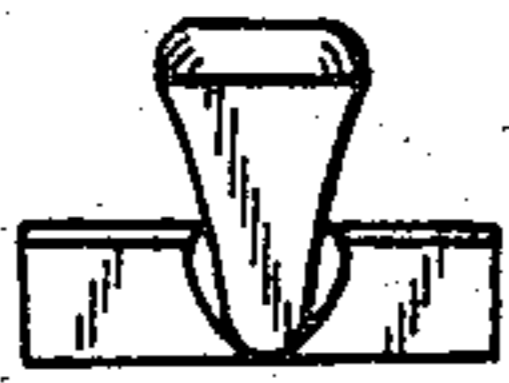




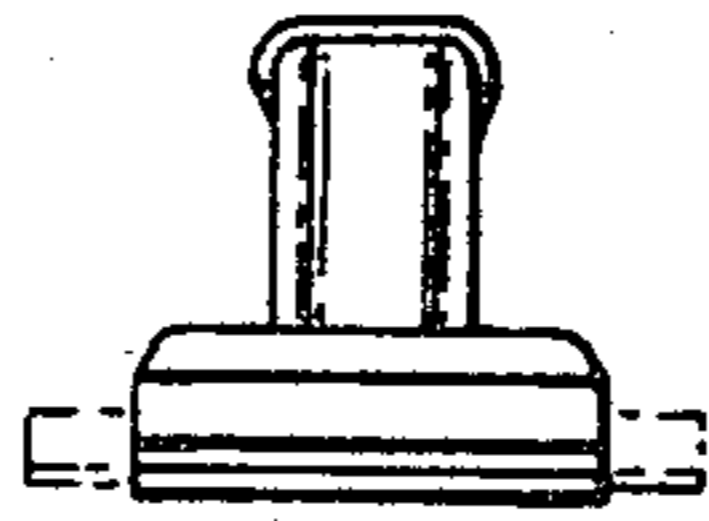
*Fig. 1*



*Fig. 2*



*Fig. 3*



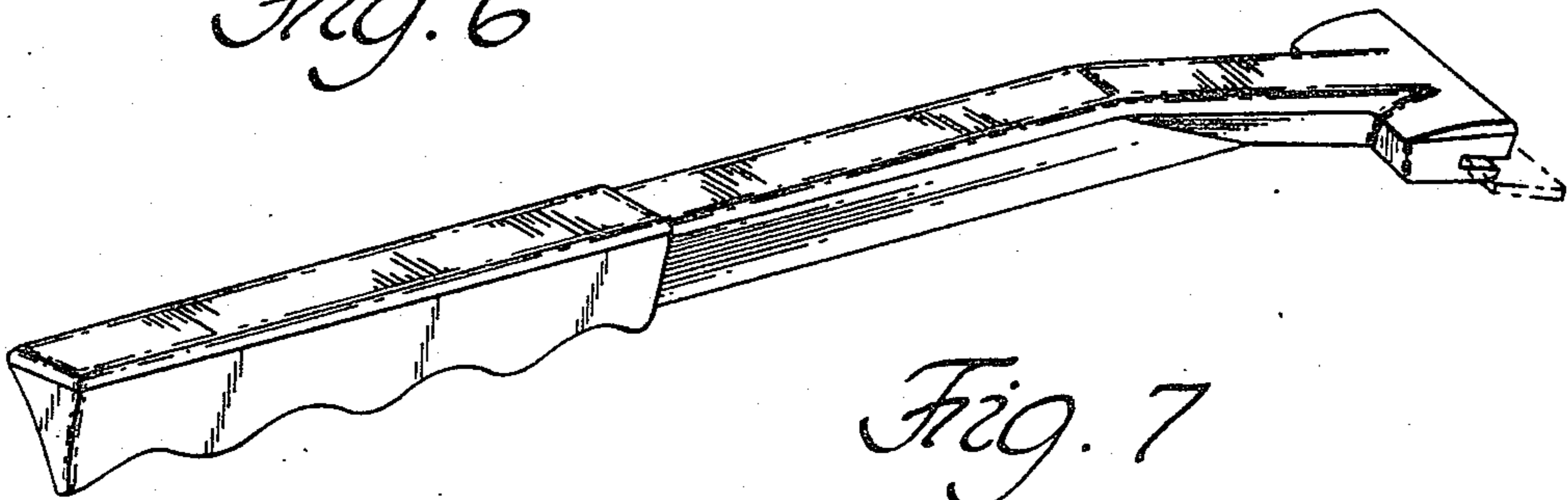
*Fig. 4*



*Fig. 5*



*Fig. 6*



*Fig. 7*