

United States Patent [19]

Hussey et al.

[11] Patent Number: **Des. 283,741**

[45] Date of Patent: **** May 6, 1986**

[54] **PORTABLE OXYGEN RESERVOIR**

[75] Inventors: **Selby D. Hussey, Vernon Hills, Ill.;**
John J. Cowley, Toronto, Canada

[73] Assignee: **Erie Manufacturing Co., Milwaukee,**
Wis.

[**] Term: **14 Years**

[21] Appl. No.: **490,215**

[22] Filed: **Apr. 29, 1983**

[52] U.S. Cl. **D29/6**

[58] Field of Search 128/205.22, 204.18,
128/207.18; D29/6-8; D24/8, 29, 34, 62, 99

[56] **References Cited**

U.S. PATENT DOCUMENTS

D. 203,787	2/1966	Dyer	D29/6
D. 231,571	4/1974	Parker	D29/6
D. 236,388	8/1975	Walters	D29/6 X
3,080,586	3/1963	Steinke	.	
3,338,238	8/1967	Warncke	128/205.22 X

3,392,724	7/1968	Cowley	.
3,491,752	1/1970	Cowley	.
3,502,075	3/1970	Cowley	.
3,505,996	4/1970	Cowley	.
3,505,997	4/1970	Cowley	.
3,762,407	10/1973	Shonerd	.
3,762,604	10/1973	Shonerd	.
4,221,216	9/1980	Kranz	.

Primary Examiner—Catherine E. Kemper
Attorney, Agent, or Firm—Andrus, Scales, Starke & Sawall

[57] CLAIM

The ornamental design for a portable oxygen reservoir, substantially as shown and described.

DESCRIPTION

FIG. 1 is a front view of a portable oxygen reservoir showing our new design;
FIG. 2 is a top view thereof;
FIG. 3 is a bottom view thereof;
FIG. 4 is a rear view thereof; and
FIG. 5 is a side view thereof.

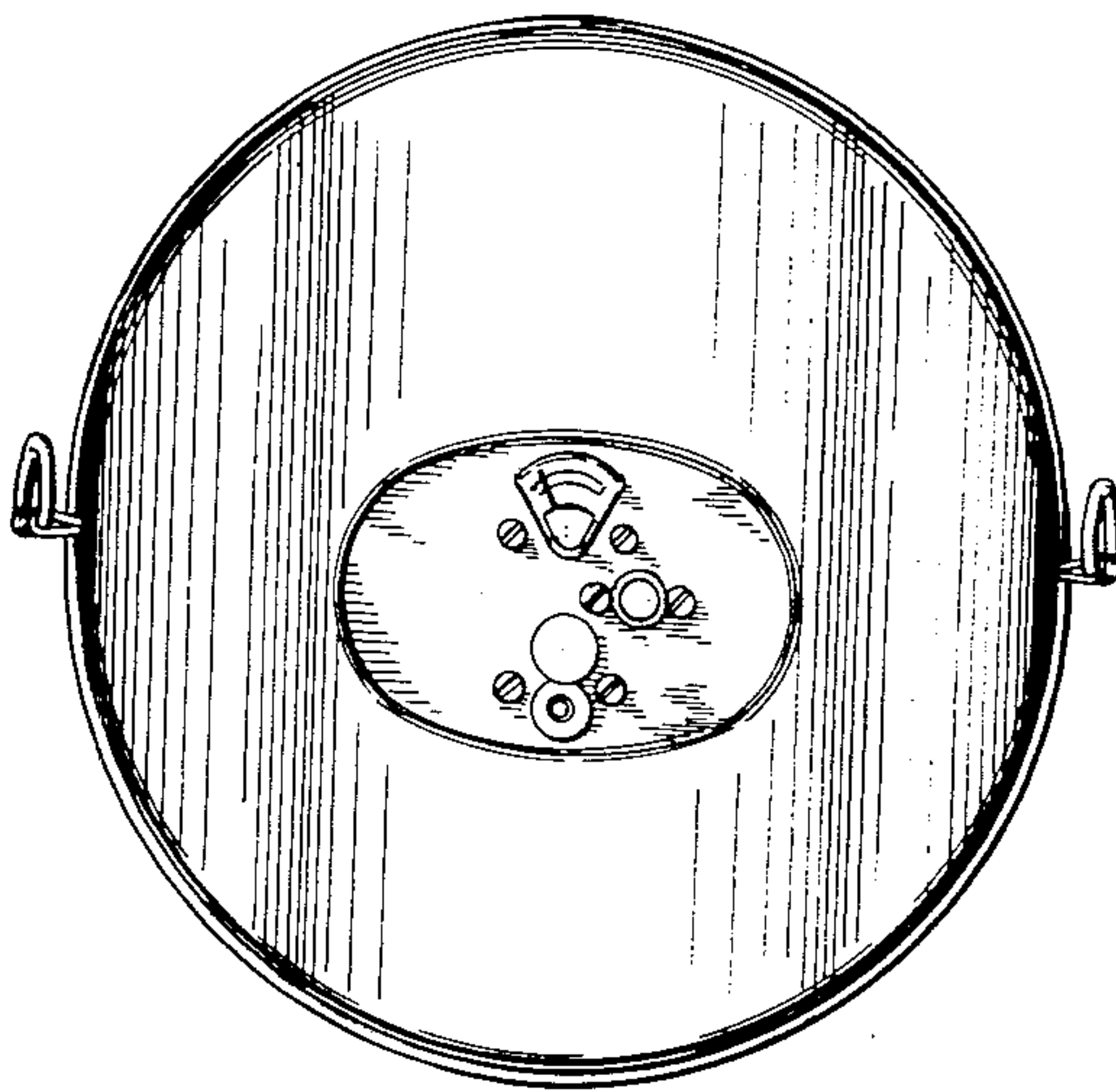


FIG. 1

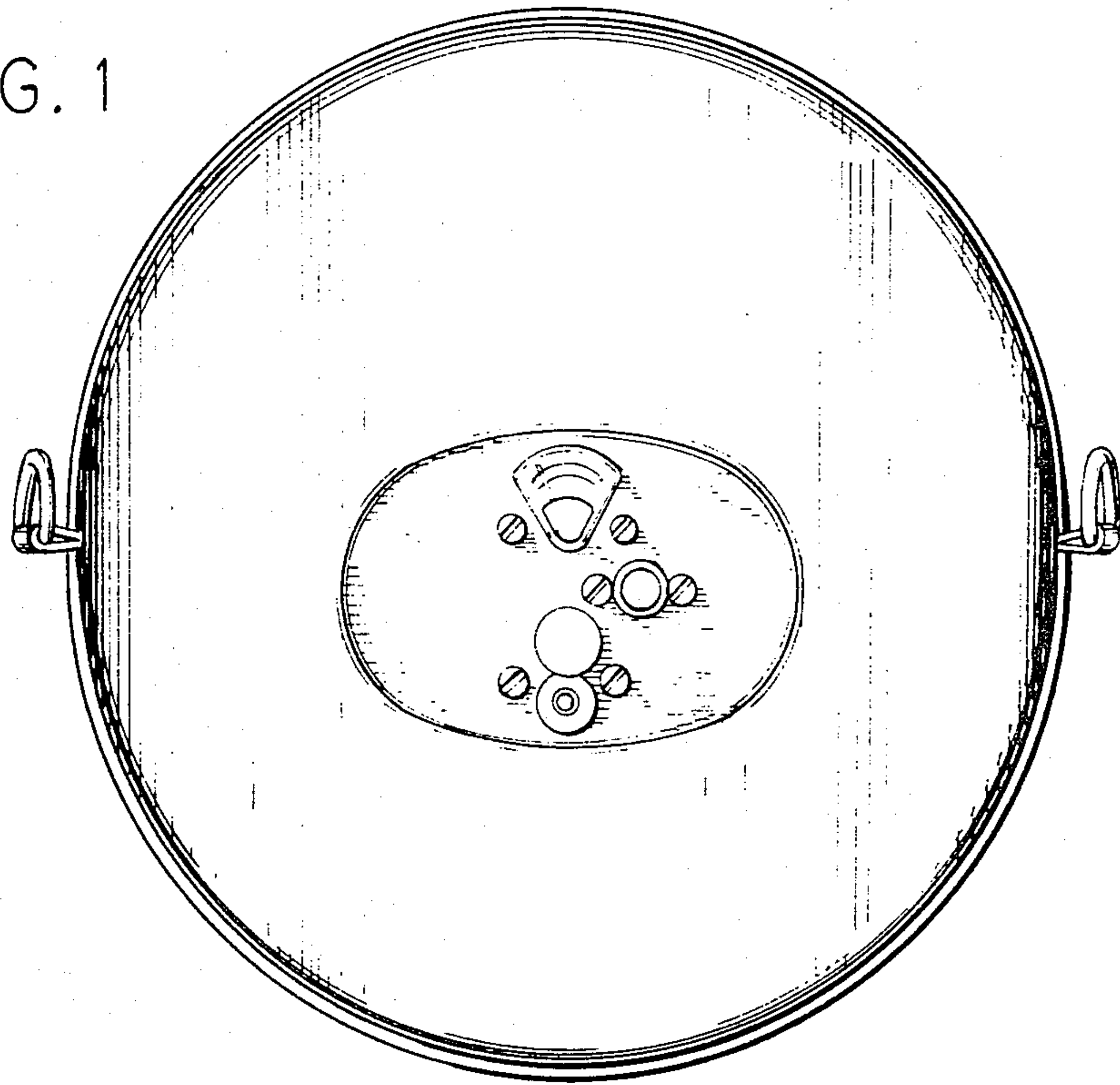


FIG. 2

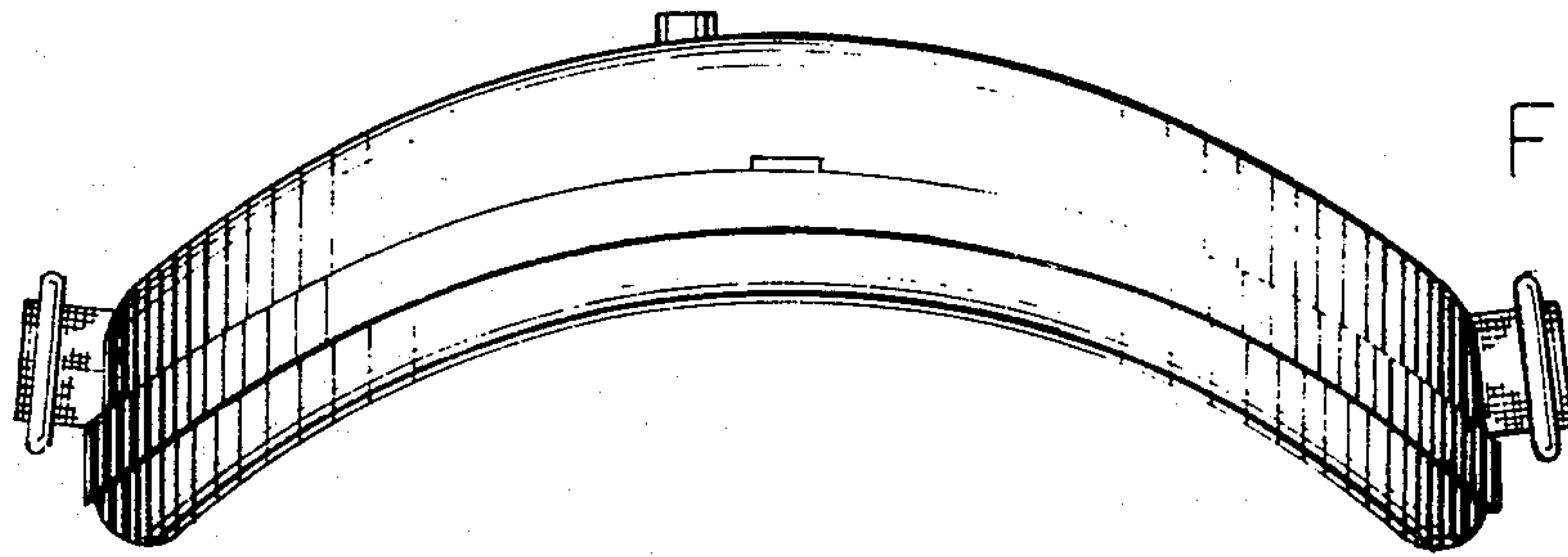
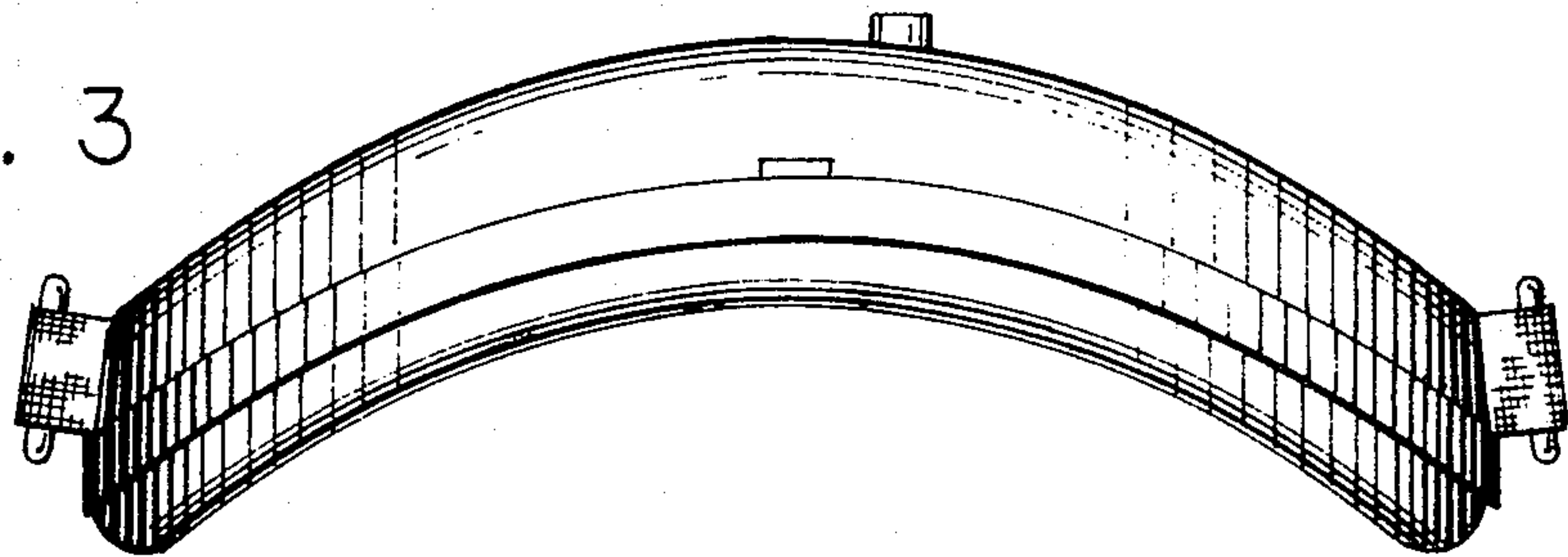


FIG. 3



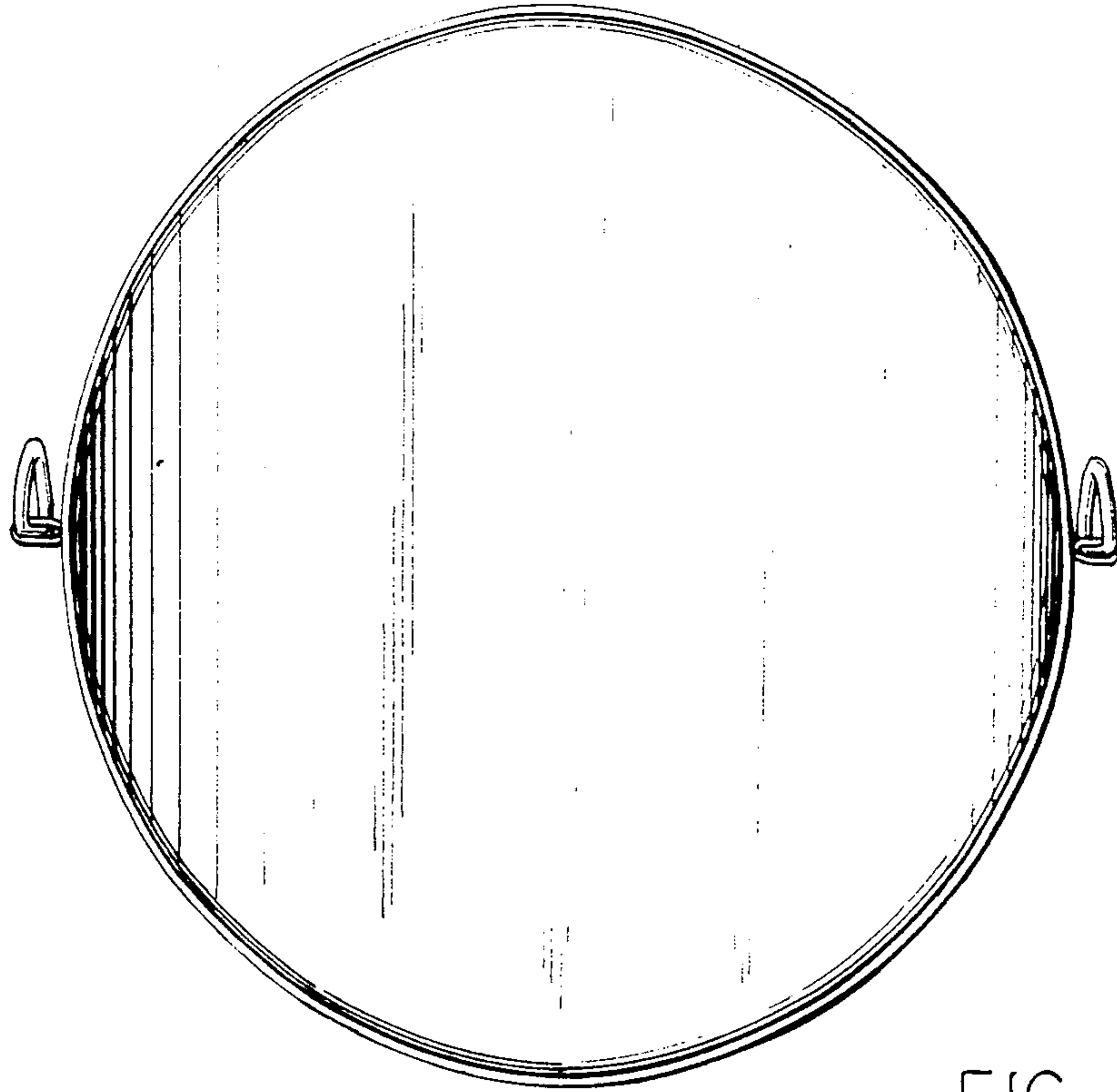


FIG. 4

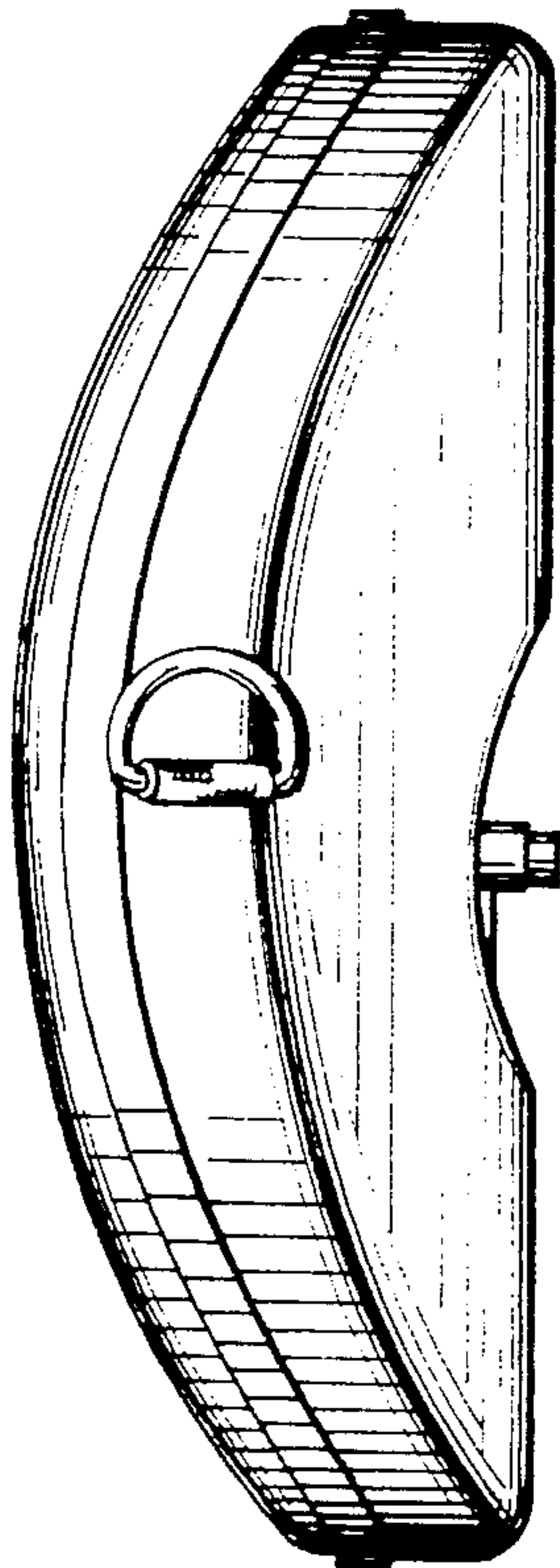


FIG. 5