

[54] **BREAST PUMP**

[75] Inventor: **Karen Elliott**, Shaker Heights, Ohio
[73] Assignee: **Medela, Inc.**, Crystal Lake, Ill.
[**] Term: **14 Years**
[21] Appl. No.: **538,147**
[22] Filed: **Oct. 3, 1983**
[52] U.S. Cl. **D24/23; D24/47**
[58] Field of Search **D24/23, 47, 51; 604/73, 604/74, 76**

[56] **References Cited**

U.S. PATENT DOCUMENTS

196,610	10/1877	White	604/76
D. 234,642	3/1975	Lee	D24/23
D. 251,015	2/1979	Cone	D24/23
798,893	9/1905	Ezell	604/74
1,032,518	7/1912	Thieringer	604/76
1,719,982	7/1929	Kieth	604/74
2,419,795	4/1947	Saunders	604/74
3,782,385	1/1974	Loyd	604/74
3,977,405	8/1976	Yanase	604/74
4,311,141	1/1982	Diamond	604/74
4,323,067	4/1982	Adams	604/74

OTHER PUBLICATIONS

Evenflo Pump Advertisement, Baby Talk, Blessings Corporation, 185 Madison Avenue, New York, New York 10016.
Sears Specialty Advertisement, "Especially for Mother and Baby", Sears, Roebuck & Co., Sears Tower, Chicago, IL. 606684.
"How to Manage Breast Milking and Breastfeeding", Instruction Pamphlet, Illustrating Happy Family Products Pump, pp. 7 & 9.

Primary Examiner—A. Hugo Word
Assistant Examiner—Stella M. Reid
Attorney, Agent, or Firm—Body, Vickers & Daniels

[57] **CLAIM**

The ornamental design for a breast pump, as shown.

DESCRIPTION

FIG. 1 is a side elevational view of a breast pump showing my new design;
FIG. 2 is a front elevational view thereof;
FIG. 3 is a rear elevational view thereof;
FIG. 4 is a top plan view thereof; and
FIG. 5 is a bottom plan view thereof.

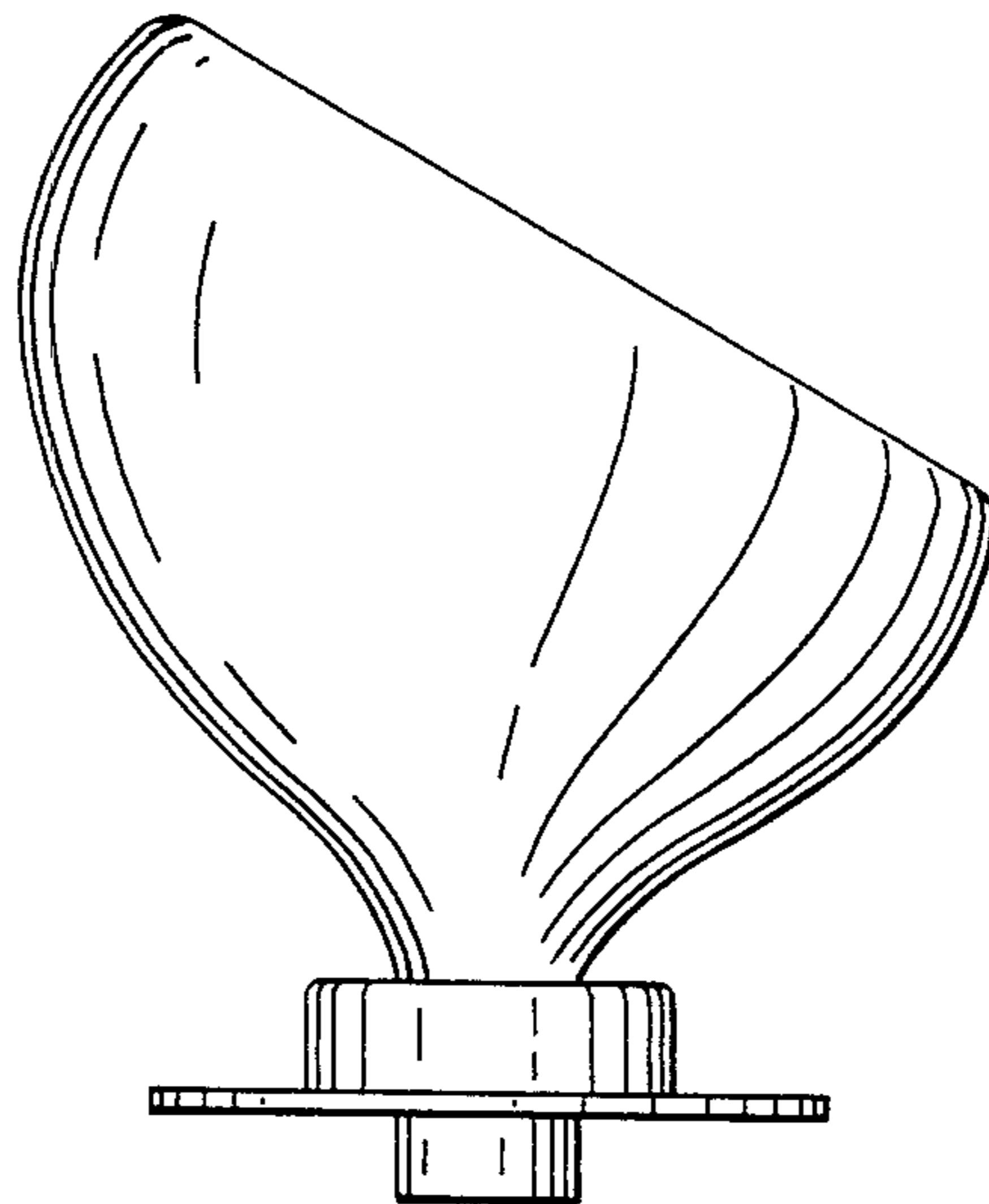


FIG. 1

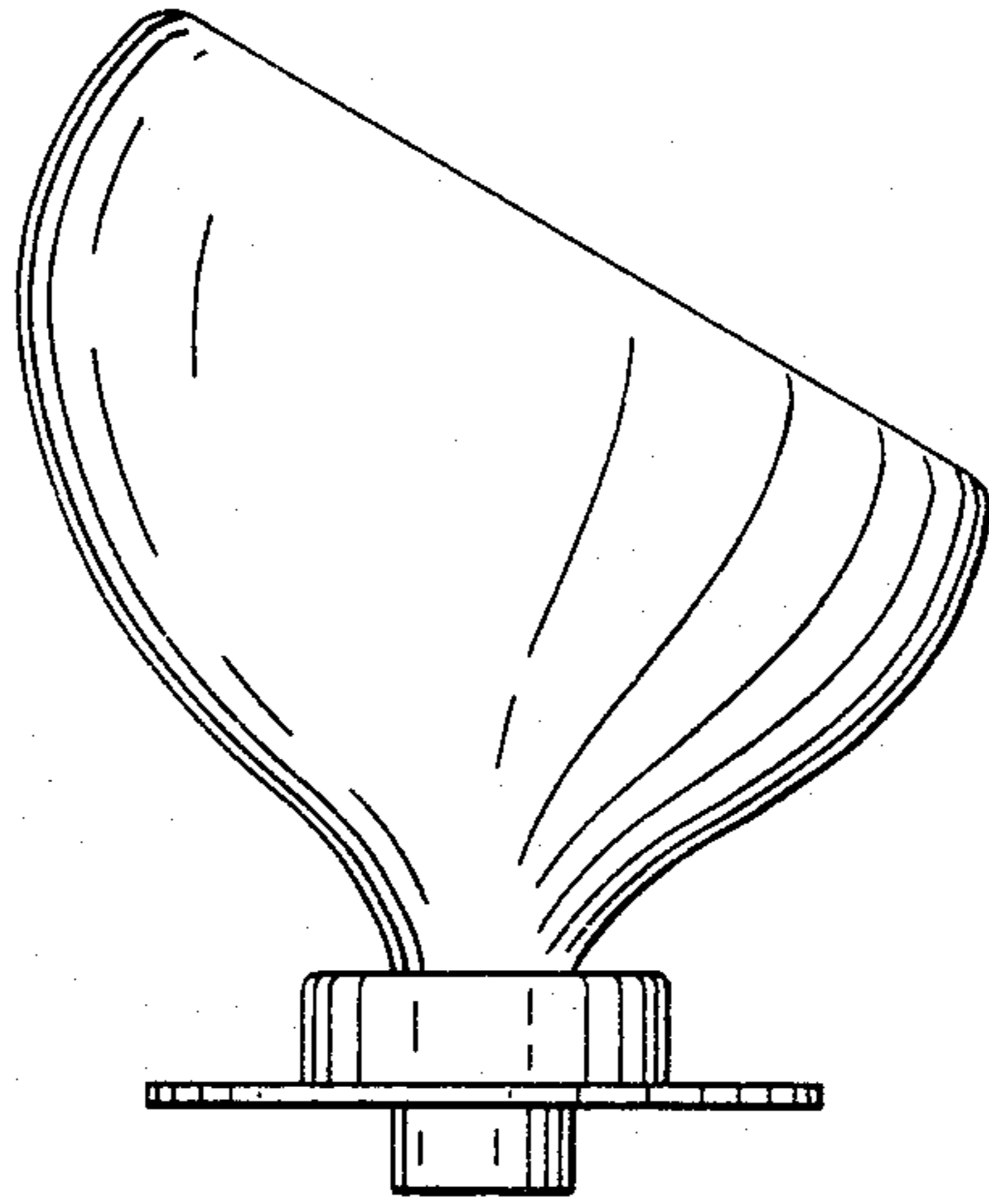


FIG. 2

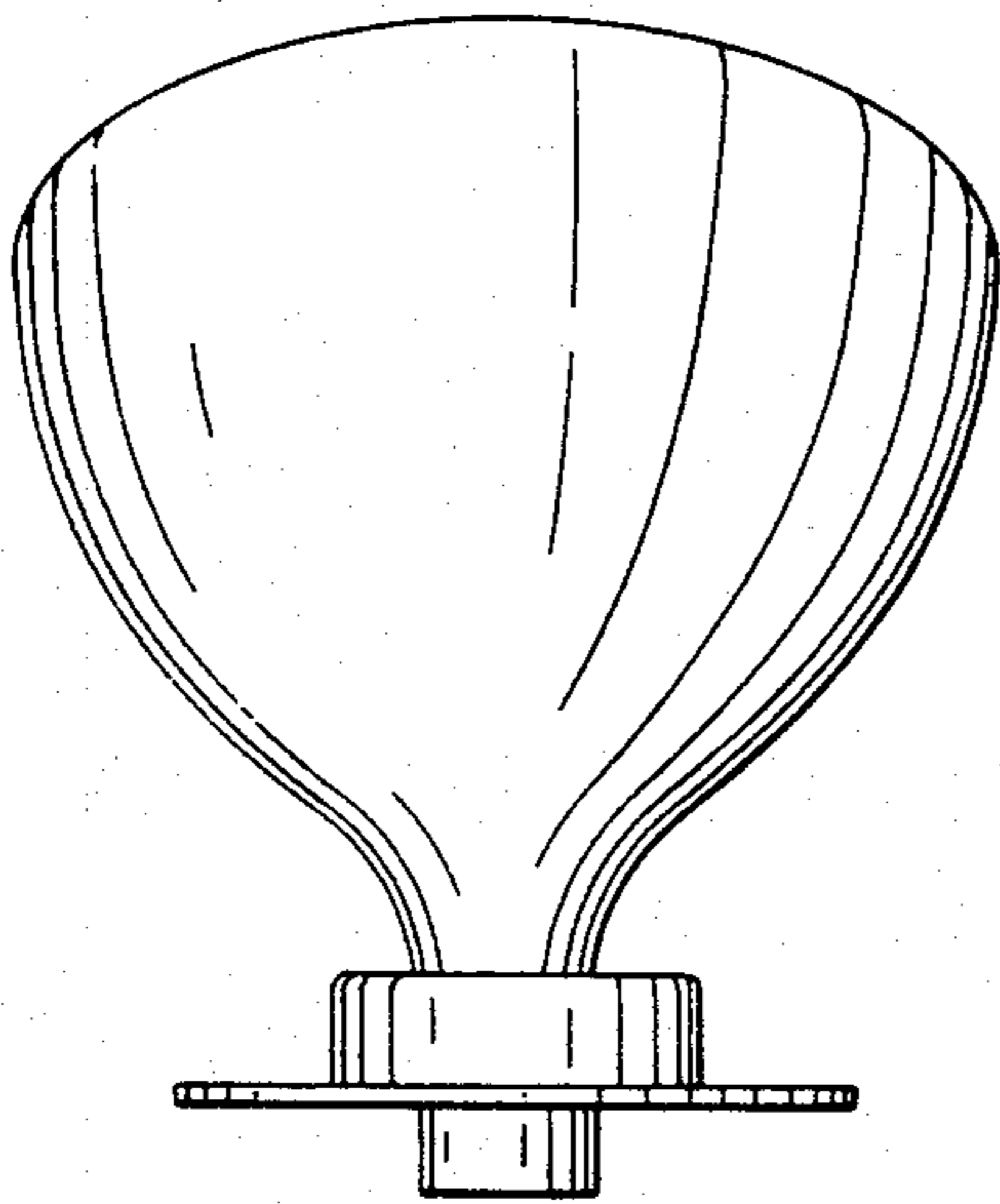


FIG. 3

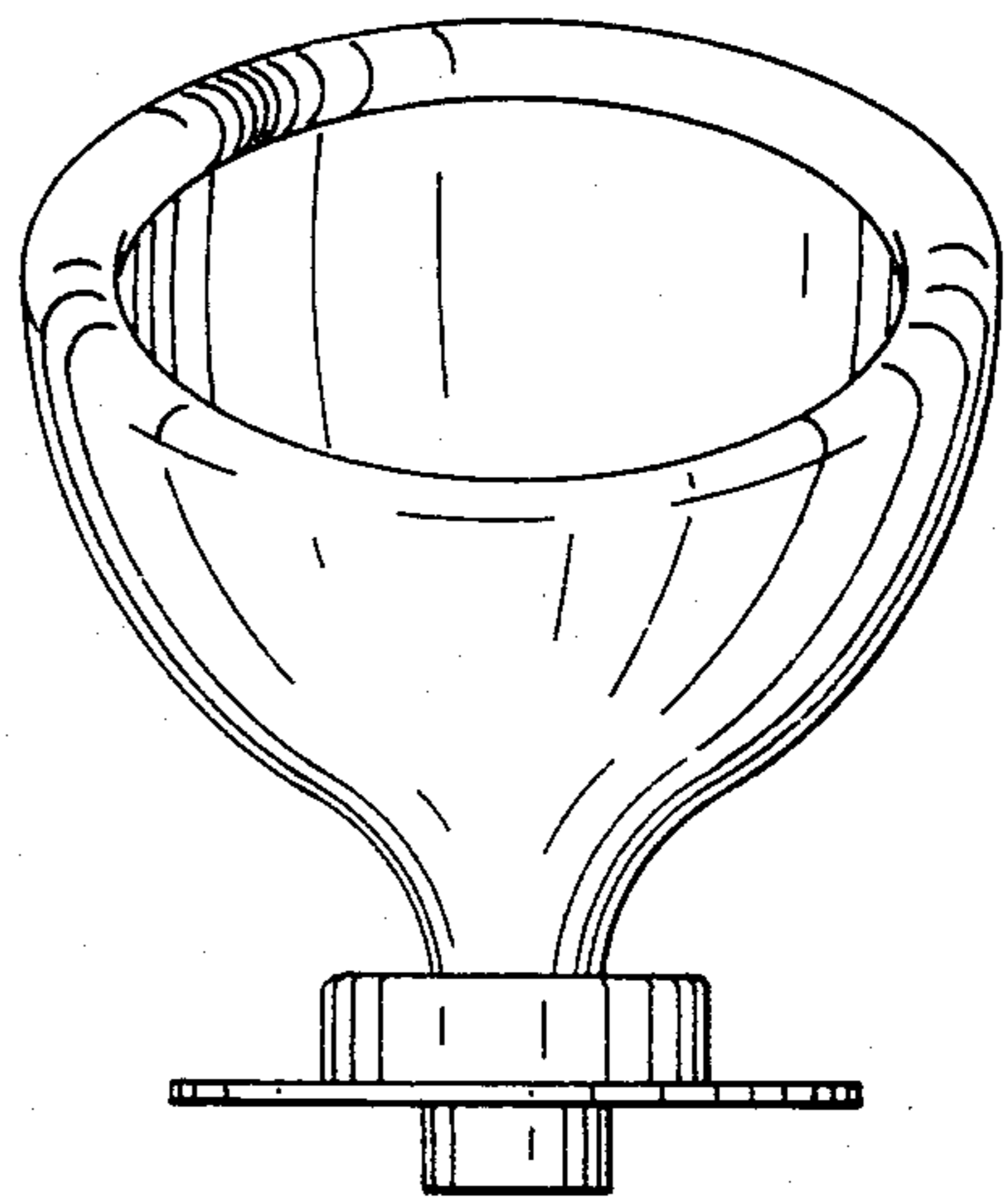


FIG. 4

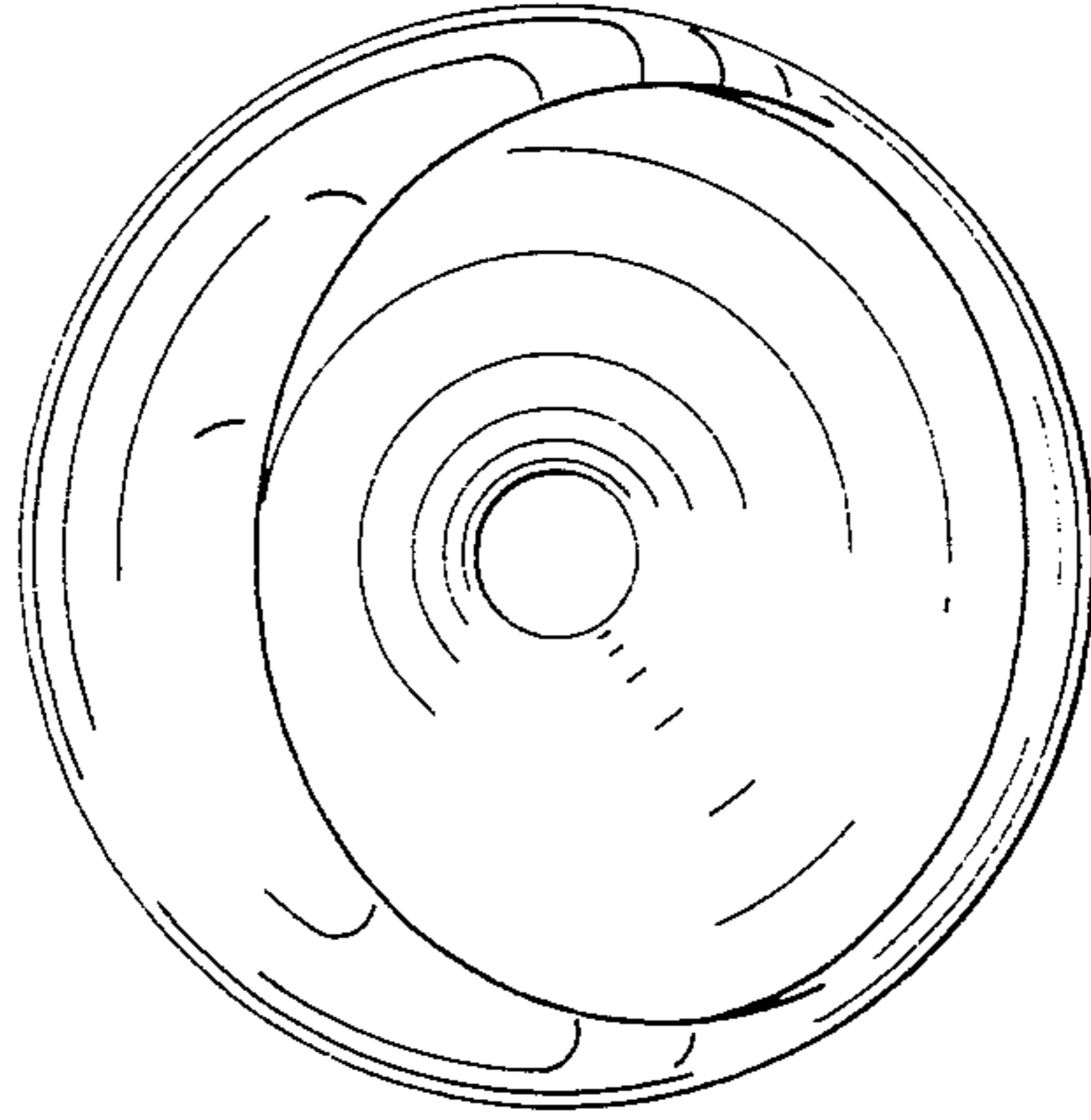


FIG. 5

